

TALENT 42/51

PARTS LIST 零件清冊

NLA0009500001B

Issue : A4
Aug, 2020

荷蘭商哈廷國際科技股份有限公司台灣分公司
Hardinge Machine Tools B.V., Taiwan Branch

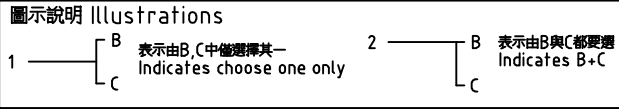


TALENT 42/51 SERIES

PARTS LIST 零件清冊

NLA0009500001B Isu-A4

TALENT 42/51 SERIES



(Chapter 1)
第一主軸
MAIN-SPINDLE

TALENT 42/51(A/B)
主軸傳動
SPINDLE TRANSMISSION

- | | |
|---|---|
| <p>TALENT 42-6000RPM/51-5000RPM(A/B)
主軸傳動 (FANUC)
Spindle Transmission
NL 00000201AX</p> <p>TALENT 51 (A/B)-4200RPM
主軸傳動 (FANUC-通孔66)
Spindle Transmission
NL 00000201BX</p> <p>TALENT 51 (A/B)-3500RPM
主軸傳動 (FANUC-通孔78)
Spindle Transmission
NL 00000202BX</p> <p>TALENT 42-6000RPM/51-5000RPM(A/B) TALENT 42/51(A/B)
主軸傳動 (SIEMENS)
Spindle Transmission
NL 00000203AX</p> <p>TALENT 51 (A/B)-4200RPM
主軸傳動 (SIEMENS-通孔66)
Spindle Transmission
NL 00000203BX</p> <p>TALENT 51 (A/B)-3500RPM
主軸傳動 (SIEMENS-通孔78)
Spindle Transmission
NL 00000204BX</p> | <p>主軸傳動 (FANUC)
Spindle Transmission
NL 00000201A</p> <p>主軸傳動 (FANUC-通孔66)
Spindle Transmission
NL 00000201B</p> <p>主軸傳動 (FANUC-通孔78)
Spindle Transmission
NL 00000202B</p> <p>主軸傳動 (SIEMENS)
Spindle Transmission
NL 00000203A</p> <p>主軸傳動 (SIEMENS-通孔66)
Spindle Transmission
NL 00000203B</p> <p>主軸傳動 (SIEMENS-通孔78)
Spindle Transmission
NL 00000204B</p> |
|---|---|

- 主軸套筒 (標準型)
CARTRIDGE
NL 000015726A
- 主軸套筒 (共用件)
CARTRIDGE (COMMON PARTS)
NL 000015728A
- 主軸套筒 (標準型)
CARTRIDGE
NL 000015726A
- 主軸套筒 (共用件)
CARTRIDGE (COMMON PARTS)
NL 000015728A

- 主軸套筒 (標準型)
CARTRIDGE (A2-5-16C)
NL 000015726AWU
- 主軸套筒 (共用件)
CARTRIDGE (COMMON PARTS)
NL 000015730A
- 主軸套筒 (標準型)
CARTRIDGE (A2-5-16C)
NL 000015726AWU
- 主軸套筒 (共用件)
CARTRIDGE (COMMON PARTS)
NL 000015730A

TALENT 42(A/B)
主軸套筒
CARTRIDGE

- OPT
主軸套筒 (A2-5 16C, FANUC)
CARTRIDGE (A2-5 16C, FANUC)
NL 000015726AX
- OPT
主軸套筒 (A2-5 16C, SIEMENS)
CARTRIDGE (A2-5 16C, SIEMENS)
NL 000015729AX
- 主軸套筒 (標準型)
CARTRIDGE (A2-5 16C)
NL 000015729AWU
- 主軸套筒 (共用件)
CARTRIDGE (COMMON PARTS)
NL 000015730A
- 主軸套筒 (標準型)
CARTRIDGE (A2-5 16C)
NL 000015729AWU
- 主軸套筒 (共用件)
CARTRIDGE (COMMON PARTS)
NL 000015730A

- 主軸套筒 (標準型)
CARTRIDGE (A2-5 16C)
NL 000015726AWU
- 主軸套筒 (共用件)
CARTRIDGE (COMMON PARTS)
NL 000015730A
- 主軸套筒 (標準型)
CARTRIDGE (A2-5 16C)
NL 000015729AWU
- 主軸套筒 (共用件)
CARTRIDGE (COMMON PARTS)
NL 000015730A

TALENT 42/51(A/B)
主軸套筒
CARTRIDGE

TALENT 51(A/B)
主軸套筒
CARTRIDGE

- OPT
主軸套筒 (A2-6 20C, FANUC)
CARTRIDGE (A2-6 20C, FANUC)
NL 000015702BX
- OPT
主軸套筒 (A2-6 20C, SIEMENS)
CARTRIDGE (A2-6 20C, SIEMENS)
NL 000015703BX
- 主軸套筒 (標準型)
CARTRIDGE (A2-6 20C CF)
NL 000015702BWU
- 主軸套筒 (共用件)
CARTRIDGE (COMMON PARTS)
NL 000015708B
- 主軸套筒 (標準型)
CARTRIDGE (A2-6 20C CF)
NL 000015702BWU
- 主軸套筒 (共用件)
CARTRIDGE (COMMON PARTS)
NL 000015708B

- 主軸套筒 (標準型)
CARTRIDGE
NL 000015705B
- 主軸套筒 (共用件)
CARTRIDGE (COMMON PARTS)
NL 000015706B
- 主軸套筒 (標準型)
CARTRIDGE (A2-6 20C CF)
NL 000015702BWU
- 主軸套筒 (共用件)
CARTRIDGE (COMMON PARTS)
NL 000015708B

TALENT 51(A/B)
主軸套筒
CARTRIDGE

- OPT
主軸套筒 (A2-6 20C, FANUC)
CARTRIDGE (A2-6 20C, FANUC)
NL 000015726BX
- OPT
主軸套筒 (A2-6 20C, SIEMENS)
CARTRIDGE (A2-6 20C, SIEMENS)
NL 000015729BX
- 主軸套筒 (標準型)
CARTRIDGE (A2-6 20C)
NL 000015726BWU
- 主軸套筒 (共用件)
CARTRIDGE (COMMON PARTS)
NL 000015708B
- 主軸套筒 (標準型)
CARTRIDGE (A2-6 20C)
NL 000015729BWU
- 主軸套筒 (共用件)
CARTRIDGE (COMMON PARTS)
NL 000015708B

- 主軸套筒 (標準型)
CARTRIDGE (A2-6 20C)
NL 000015705B
- 主軸套筒 (共用件)
CARTRIDGE (COMMON PARTS)
NL 000015706B
- 主軸套筒 (標準型)
CARTRIDGE (A2-6 20C)
NL 000015705B
- 主軸套筒 (共用件)
CARTRIDGE (COMMON PARTS)
NL 000015706B

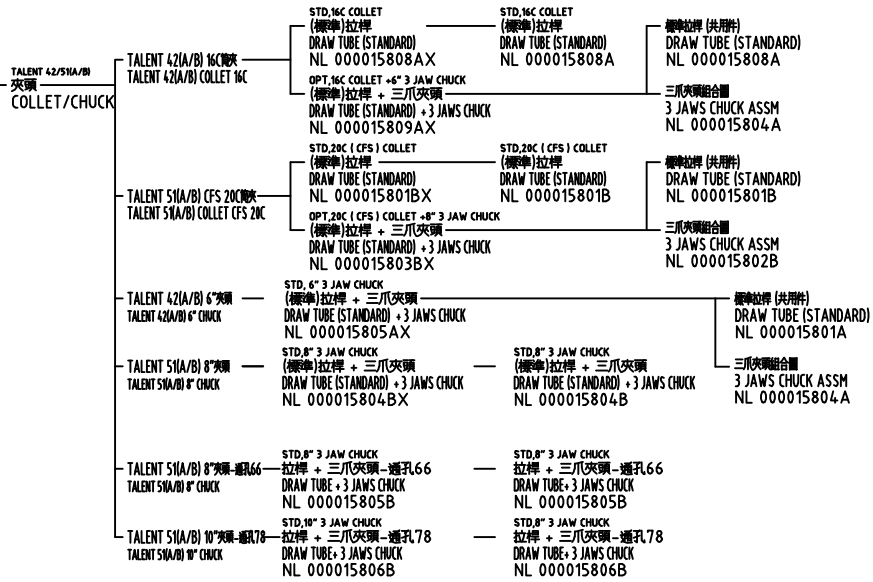
TALENT 51(A/B)
主軸套筒
CARTRIDGE

- OPT
主軸套筒 (A2-6 20C, FANUC)
CARTRIDGE (A2-6 20C, FANUC)
NL 000015726BX
- OPT
主軸套筒 (A2-6 20C, SIEMENS)
CARTRIDGE (A2-6 20C, SIEMENS)
NL 000015729BX
- 主軸套筒 (標準型)
CARTRIDGE (A2-6 20C)
NL 000015726BWU
- 主軸套筒 (共用件)
CARTRIDGE (COMMON PARTS)
NL 000015708B
- 主軸套筒 (標準型)
CARTRIDGE (A2-6 20C)
NL 000015729BWU
- 主軸套筒 (共用件)
CARTRIDGE (COMMON PARTS)
NL 000015708B

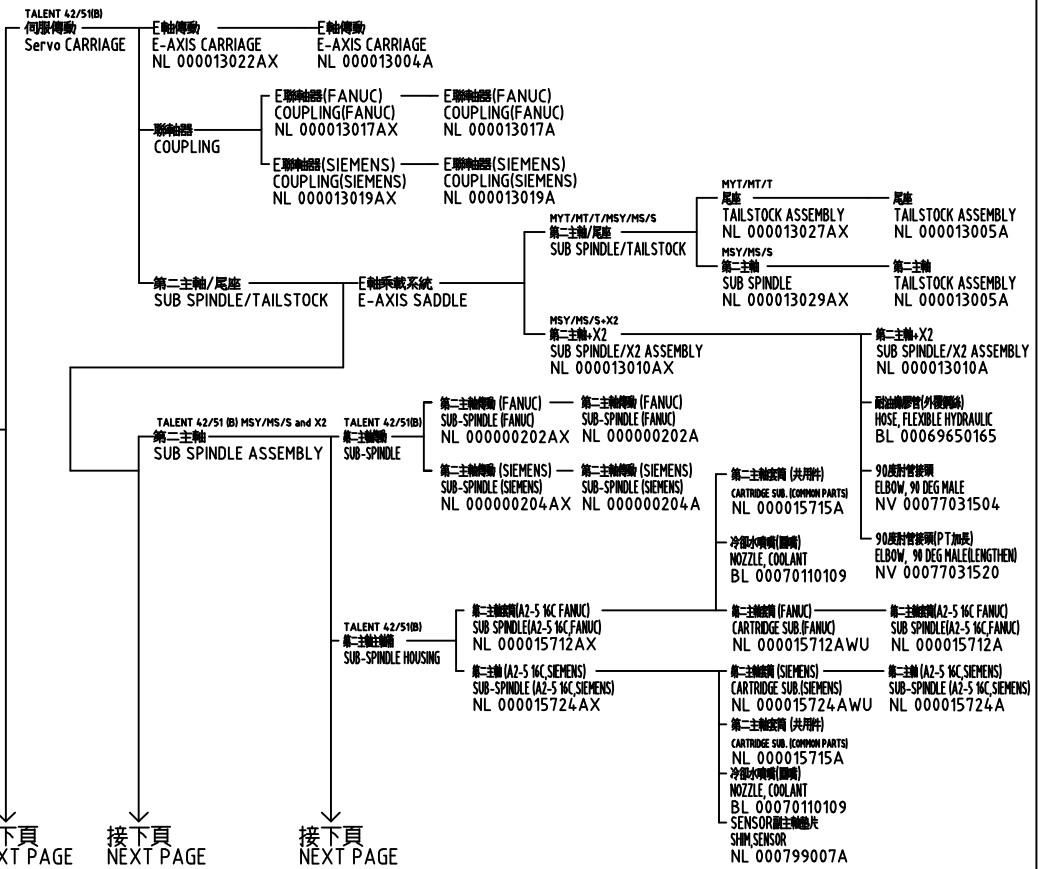
- 主軸套筒 (標準型)
CARTRIDGE (A2-6 20C)
NL 000015726B
- 主軸套筒 (共用件)
CARTRIDGE (COMMON PARTS)
NL 000015706B
- 主軸套筒 (標準型)
CARTRIDGE (A2-6 20C)
NL 000015726B
- 主軸套筒 (共用件)
CARTRIDGE (COMMON PARTS)
NL 000015706B

接下頁 NEXT PAGE 接下頁 NEXT PAGE 接下頁 NEXT PAGE

續上頁 續上頁
CONTINUE CONTINUE



(Chapter 2)
第二主軸/X2/尾座
SUB SPINDLE/X2/TAILOCK ASSEMBLY



接下頁
NEXT PAGE

接下頁
NEXT PAGE

接下頁
NEXT PAGE

接下頁
NEXT PAGE

續上頁
CONTINUE

續上頁
CONTINUE

續上頁
CONTINUE

續上頁
CONTINUE

接下頁
NEXT PAGE

接下頁
NEXT PAGE

接下頁
NEXT PAGE

(Chapter 3)
刀塔
TURRET

TALENT 42/51 (A/B)
BMT 刀架(S)
BMT TURRET

TALENT 42/51 (A/B) MSY/MS/MYT/MT/MY/H and X2
BMT45 動力刀塔16T
BMT 45 TURRET W/ LIVE TOOLING

TALENT 42/51 (A/B) MSY/MS/MYT/MT/MY/H and X2
BMT45 動力刀塔12T
BMT 45 TURRET W/ LIVE TOOLING

TALENT 42/51 (A/B)
BMT 刀架(L)
BMT TURRET

TALENT 42/51 (A/B) MSY/MS/MYT/MT/MY/H and X2
BMT45 動力刀塔16T
BMT 45 TURRET W/ LIVE TOOLING

TALENT 42/51 (A/B) MSY/MS/MYT/MT/MY/H and X2
BMT45 動力刀塔12T
BMT 45 TURRET W/ LIVE TOOLING

TALENT 42/51 (A/B) MSY/MS/MYT/MT/MY/H and X2
BMT45 動力刀塔16T
BMT 45 TURRET W/ LIVE TOOLING

TALENT 42/51 (A/B) MSY/MS/MYT/MT/MY/H and X2
BMT45 動力刀塔12T
BMT 45 TURRET W/ LIVE TOOLING

TALENT 42/51 (A/B) MSY/MS/MYT/MT/MY/H and X2
BMT45 動力刀塔16T
BMT 45 TURRET W/ LIVE TOOLING

TALENT 42/51 (A/B) MSY/MS/MYT/MT/MY/H and X2
BMT45 動力刀塔12T
BMT 45 TURRET W/ LIVE TOOLING

TALENT 42/51(A)
無第二主軸/尾座
WITHOUT SUB-SPINDLE/TAIL STOCK

TALENT 42/51(A)
蓋板
COVER
NL 001045323AX

TALENT 42/51 (B) MSY/MS/MYT/MT
BMT45 動力刀塔組合 (捷樂-FANUC)
BMT 45 TURRET W/ LIVE TOOLING
NL 000000817AX

TALENT 42/51 (A) MYT/MT/MY/H
BMT45 動力刀塔組合 (捷樂-FANUC)
BMT 45 TURRET W/ LIVE TOOLING
NL 000000818AX

TALENT 42/51 (B) MSY/MS/MYT/MT
BMT45 動力刀塔組合 (捷樂-FANUC)
BMT 45 TURRET W/ LIVE TOOLING
NL 000000819AX

TALENT 42/51 (A) MYT/MT/MY/H
BMT45 動力刀塔組合 (捷樂-SIEMENS)
BMT 45 TURRET W/ LIVE TOOLING
NL 000000820AX

TALENT 42/51 (A) MYT/MT/MY/H
BMT45 動力刀塔組合 (捷樂-SIEMENS)
BMT 45 TURRET W/ LIVE TOOLING
NL 000000821AX

TALENT 42/51 (A) MYT/MT/MY/H
BMT45 動力刀塔組合 (捷樂-FANUC)
BMT 45 TURRET W/ LIVE TOOLING
NL 000000801AX

TALENT 42/51 (A) MYT/MT/MY/H
BMT45 動力刀塔組合 (捷樂-FANUC)
BMT 45 TURRET W/ LIVE TOOLING
NL 000000802AX

TALENT 42/51 (B) MSY/MS/MYT/MT
BMT45 動力刀塔組合 (捷樂-SIEMENS)
BMT 45 TURRET W/ LIVE TOOLING
NL 000000803AX

TALENT 42/51 (A) MYT/MT/MY/H
BMT45 動力刀塔組合 (捷樂-SIEMENS)
BMT 45 TURRET W/ LIVE TOOLING
NL 000000804AX

TALENT 42/51 (B) MSY/MS/MYT/MT
BMT45 動力刀塔組合 (捷樂-FANUC)
BMT 45 TURRET W/ LIVE TOOLING
NL 000000821AX

TALENT 42/51 (A) MYT/MT/MY/H
BMT45 動力刀塔組合 (捷樂-FANUC)
BMT 45 TURRET W/ LIVE TOOLING
NL 000000822AX

TALENT 42/51 (B) MSY/MS/MYT/MT
BMT45 動力刀塔組合 (捷樂-SIEMENS)
BMT 45 TURRET W/ LIVE TOOLING
NL 000000823AX

TALENT 42/51 (A) MYT/MT/MY/H
BMT45 動力刀塔組合 (捷樂-SIEMENS)
BMT 45 TURRET W/ LIVE TOOLING
NL 000000824AX

TALENT 42/51 (A) MYT/MT/MY/H
BMT45 動力刀塔組合 (捷樂-SIEMENS)
BMT 45 TURRET W/ LIVE TOOLING
NL 000000824AX

TALENT 42/51 (A) MYT/MT/MY/H
BMT45 動力刀塔組合 (捷樂-SIEMENS)
BMT 45 TURRET W/ LIVE TOOLING
NL 000000824AX

TALENT 42/51 (A/B)
油壓傳動
Hydraulic CARRIAGE
TBD

TALENT 42/51 (B) MYT/MT/T
尾座
Tailstock Configurations-Hydraulic
NL 000000302AX-TBD

TALENT 42/51 (A) MYT/MT/T
油壓尾座
Tailstock Configurations-Hydraulic
NL 000000303AX-TBD

E軸傳動-油壓
E-AXIS CARRIAGE-Hydraulic
NL 000013012AX

第二主軸/尾座
SUB SPINDLE/TAILSTOCK ASSEMBLY
NL 000013022AX

尾座
TAILSTOCK ASSEMBLY
NL 000000301AX

尾座
TAILSTOCK ASSEMBLY
NL 000000301AX

電控 二主軸電線蓋板(1只)
COVER
NL 000399096AX

電控 二主軸電線蓋板(2只)
COVER
NL 000399097AX

尾座集線固定板
COVER
NL 000399077AX

E軸傳動-油壓
E-AXIS CARRIAGE-Hydraulic
NL 000013066AX-TBD

尾座
TAILSTOCK ASSEMBLY
NL 000000301AX

TALENT 42/51(B)
第二主軸夾頭
COLLET/CHUCK

STD.16C COLLET
拉桿 + 16C筒夾 (前鎖式)
Front Installed Draw Tube + 16C-Collect Chuck
NL 000015802AX

OPT.6" 3 JAW CHUCK
拉桿 + 16C筒夾 (前鎖式) + 三爪夾頭
Front Installed Draw Tube + 16C-Collect Chuck + 3 JAWS CHUCK
NL 000015806AX

MSY/MS/S
第二主軸
SUB-SPINDLE
NL 001045317AX

MSY/MS/S-X2
第二主軸+X2
SUB-SPINDLE+X2
NL 001045318AX

STD.16C COLLET
拉桿 + 16C筒夾 (前鎖式)
Front Installed Draw Tube + 16C-Collect Chuck
NL 000015802AX

拉桿 + 16C筒夾 (前鎖式)
FRONT INSTALLED DRAW TUBE
NL 000015804AX

三爪夾頭組合
3 JAWS CHUCK ASSM
NL 000015804AX

副主軸電線支架
BRACKET
NL 000199039AX

支撐架組 圓流油管A
BRACKET
NL 000299005AX

電控 二主軸電線蓋板(1只)
COVER
NL 000399096AX

電控 二主軸電線蓋板(2只)
COVER
NL 000399097AX

X2線蓋支架
BRACKET
NL 000399082AX

X2線蓋支撐架
BRACKET
NL 000599029AX

分腔固定架
BRACKET
NL 000599031AX

支撐架組 圓流油管A
BRACKET
NL 000299005AX

續上頁
CONTINUE

續上頁
CONTINUE

續上頁
CONTINUE

TALENT 42/51 (A/B) MSY/MS/MYT/MT/MY/M and X2
BMT45 動力刀塔
BMT 45 TURRET W/ LIVE TOOLING

TALENT 42/51 (A/B) S/T
BMT45 非動力刀塔
BMT 45 TURRET W/O LIVE TOOLING

TALENT 42/51 (A/B) MSY/MS/MYT/MT/MY/M and X2
VDI 30 動力刀塔
VDI 30 TURRET W/ LIVE TOOLING

TALENT 42/51 (A/B)
VDI 刀塔(L)
VDI TURRET

TALENT 42/51 (A/B) S/T
VDI 30 非動力刀塔
VDI 30 TURRET W/O LIVE TOOLING
TBD

(Chapter 4)
刀具組合
TOOLING ASSM

TALENT 42/51MSY-X2
STD.
BMT 刀塔
DOUBLE ROUND SHANK
NL 001194545A×2EA

TALENT 42/51MSY-X2
STD.
VDI 刀塔
DOUBLE ROUND SHANK
NL 001194548A×2EA

TALENT 42/51 (B) MSY/MS/MYT/MT
BMT45 動力刀塔組合 (捷興-FANUC)
BMT 45 TURRET W/ LIVE TOOLING
NL 00000825AX

TALENT 42/51 (A) MYT/MT/MY/M
BMT45 動力刀塔組合 (捷興-FANUC)
BMT 45 TURRET W/ LIVE TOOLING
NL 00000826AX

TALENT 42/51 (B) MSY/MS/MYT/MT
BMT45 動力刀塔組合 (捷興-SIEMENS)
BMT 45 TURRET W/ LIVE TOOLING
NL 00000827AX

TALENT 42/51 (A) MYT/MT/MY/M
BMT45 動力刀塔組合 (捷興-SIEMENS)
BMT 45 TURRET W/ LIVE TOOLING
NL 00000828AX

TALENT 42/51 (B) S/T
BMT45 非動力刀塔組合 (捷興)
BMT 45 TURRET W/O LIVE TOOLING
NL 00000809AX

TALENT 42/51 (A) T
BMT45 非動力刀塔組合 (捷興)
BMT 45 TURRET W/O LIVE TOOLING
NL 00000810AX

TALENT 42/51 (A/B)
VDI30 動力刀塔(S4.80)-12T
VDI 30 TURRET W/ LIVE TOOLING(S4.80)

TALENT 42/51 (A/B)
VDI30 動力刀塔(1819)-12T
VDI 30 TURRET W/ LIVE TOOLING(1809)

TALENT 42/51 (A/B)
VDI30 動力刀塔(S4.80)-16T
VDI 30 TURRET W/ LIVE TOOLING(S4.80)

TALENT 42/51 (A/B)
VDI30 動力刀塔(1809)-16T
VDI 30 TURRET W/ LIVE TOOLING(1809)

TALENT 42/51 (B)
BMT45 動力刀塔組合 (捷興-FANUC)
BMT 45 TURRET W/ LIVE TOOLING
NL 00000825A

TALENT 42/51 (A)
BMT45 動力刀塔組合 (捷興-FANUC)
BMT 45 TURRET W/ LIVE TOOLING
NL 00000826A

TALENT 42/51 (B)
BMT45 動力刀塔組合 (捷興-SIEMENS)
BMT 45 TURRET W/ LIVE TOOLING
NL 00000827A

TALENT 42/51 (A)
BMT45 動力刀塔組合 (捷興-SIEMENS)
BMT 45 TURRET W/ LIVE TOOLING
NL 00000828A

TALENT 42/51 (B)
BMT45 非動力刀塔組合 (捷興)
BMT 45 TURRET W/O LIVE TOOLING
NL 00000809A

TALENT 42/51 (A)
BMT45 非動力刀塔組合 (捷興)
BMT 45 TURRET W/O LIVE TOOLING
NL 00000810A

TALENT 42/51 (B) MSY/MS/MYT/MT
VDI 30 動力刀塔組合 (捷興-FANUC)
VDI 30 TURRET W/ LIVE TOOLING
NL 00000805AX

TALENT 42/51 (B) MSY/MS/MYT/MT
VDI30 動力刀塔組合 (捷興-SIEMENS)
VDI 30 TURRET W/ LIVE TOOLING
NL 00000806AX

TALENT 42/51 (A) MYT/MT/MY/M
VDI 30 動力刀塔組合 (捷興-FANUC)
VDI 30 TURRET W/ LIVE TOOLING
NL 00000811AX

TALENT 42/51 (A) MYT/MT/MY/M
VDI30 動力刀塔組合 (捷興-SIEMENS)
VDI 30 TURRET W/ LIVE TOOLING
NL 00000812AX

TALENT 42/51 (B)
VDI 30 動力刀塔組合 (捷興-FANUC)
VDI 30 TURRET W/ LIVE TOOLING
NL 00000807AX

TALENT 42/51 (B) MSY/MS/MYT/MT
VDI30 動力刀塔組合 (捷興-SIEMENS)
VDI 30 TURRET W/ LIVE TOOLING
NL 00000808AX

TALENT 42/51 (A) MYT/MT/MY/M
VDI 30 動力刀塔組合 (捷興-FANUC)
VDI 30 TURRET W/ LIVE TOOLING
NL 00000815AX

TALENT 42/51 (A) MYT/MT/MY/M
VDI30 動力刀塔組合 (捷興-SIEMENS)
VDI 30 TURRET W/ LIVE TOOLING
NL 00000816AX

TALENT 42/51 (B) MSY/MS/MYT/MT
VDI 30 動力刀塔組合 (捷興-FANUC)
VDI 30 TURRET W/ LIVE TOOLING
NL 00000837AX

TALENT 42/51 (B) MSY/MS/MYT/MT
VDI30 動力刀塔組合 (捷興-SIEMENS)
VDI 30 TURRET W/ LIVE TOOLING
NL 00000838AX

TALENT 42/51 (A) MYT/MT/MY/M
VDI 30 動力刀塔組合 (捷興-FANUC)
VDI 30 TURRET W/ LIVE TOOLING
NL 00000839AX

TALENT 42/51 (A) MYT/MT/MY/M
VDI30 動力刀塔組合 (捷興-SIEMENS)
VDI 30 TURRET W/ LIVE TOOLING
NL 00000840AX

TALENT 42/51 (B) MSY/MS/MYT/MT
VDI 30 動力刀塔組合 (捷興-FANUC)
VDI 30 TURRET W/ LIVE TOOLING
NL 00000833AX

TALENT 42/51 (B) MSY/MS/MYT/MT
VDI30 動力刀塔組合 (捷興-SIEMENS)
VDI 30 TURRET W/ LIVE TOOLING
NL 00000834AX

TALENT 42/51 (A) MYT/MT/MY/M
VDI 30 動力刀塔組合 (捷興-FANUC)
VDI 30 TURRET W/ LIVE TOOLING
NL 00000835AX

TALENT 42/51 (A) MYT/MT/MY/M
VDI30 動力刀塔組合 (捷興-SIEMENS)
VDI 30 TURRET W/ LIVE TOOLING
NL 00000836AX

TALENT 42/51 (B)
VDI 30 動力刀塔組合 (捷興-FANUC)
VDI 30 TURRET W/ LIVE TOOLING
NL 00000805A

TALENT 42/51 (B)
VDI30 動力刀塔組合 (捷興-SIEMENS)
VDI 30 TURRET W/ LIVE TOOLING
NL 00000806A

TALENT 42/51 (A)
VDI 30 動力刀塔組合 (捷興-FANUC)
VDI 30 TURRET W/ LIVE TOOLING
NL 00000811A

TALENT 42/51 (A)
VDI30 動力刀塔組合 (捷興-SIEMENS)
VDI 30 TURRET W/ LIVE TOOLING
NL 00000812A

TALENT 42/51 (B)
VDI 30 動力刀塔組合 (捷興-FANUC)
VDI 30 TURRET W/ LIVE TOOLING
NL 00000807A

TALENT 42/51 (B)
VDI30 動力刀塔組合 (捷興-SIEMENS)
VDI 30 TURRET W/ LIVE TOOLING
NL 00000808A

TALENT 42/51 (A)
VDI 30 動力刀塔組合 (捷興-FANUC)
VDI 30 TURRET W/ LIVE TOOLING
NL 00000815A

TALENT 42/51 (A)
VDI30 動力刀塔組合 (捷興-SIEMENS)
VDI 30 TURRET W/ LIVE TOOLING
NL 00000816A

TALENT 42/51 (B)
VDI 30 動力刀塔組合 (捷興-FANUC)
VDI 30 TURRET W/ LIVE TOOLING
NL 00000837A

TALENT 42/51 (B)
VDI30 動力刀塔組合 (捷興-SIEMENS)
VDI 30 TURRET W/ LIVE TOOLING
NL 00000838A

TALENT 42/51 (A)
VDI 30 動力刀塔組合 (捷興-FANUC)
VDI 30 TURRET W/ LIVE TOOLING
NL 00000839A

TALENT 42/51 (A)
VDI30 動力刀塔組合 (捷興-SIEMENS)
VDI 30 TURRET W/ LIVE TOOLING
NL 00000840A

TALENT 42/51 (B)
VDI 30 動力刀塔組合 (捷興-FANUC)
VDI 30 TURRET W/ LIVE TOOLING
NL 00000833A

TALENT 42/51 (B)
VDI30 動力刀塔組合 (捷興-SIEMENS)
VDI 30 TURRET W/ LIVE TOOLING
NL 00000834A

TALENT 42/51 (A)
VDI 30 動力刀塔組合 (捷興-FANUC)
VDI 30 TURRET W/ LIVE TOOLING
NL 00000835A

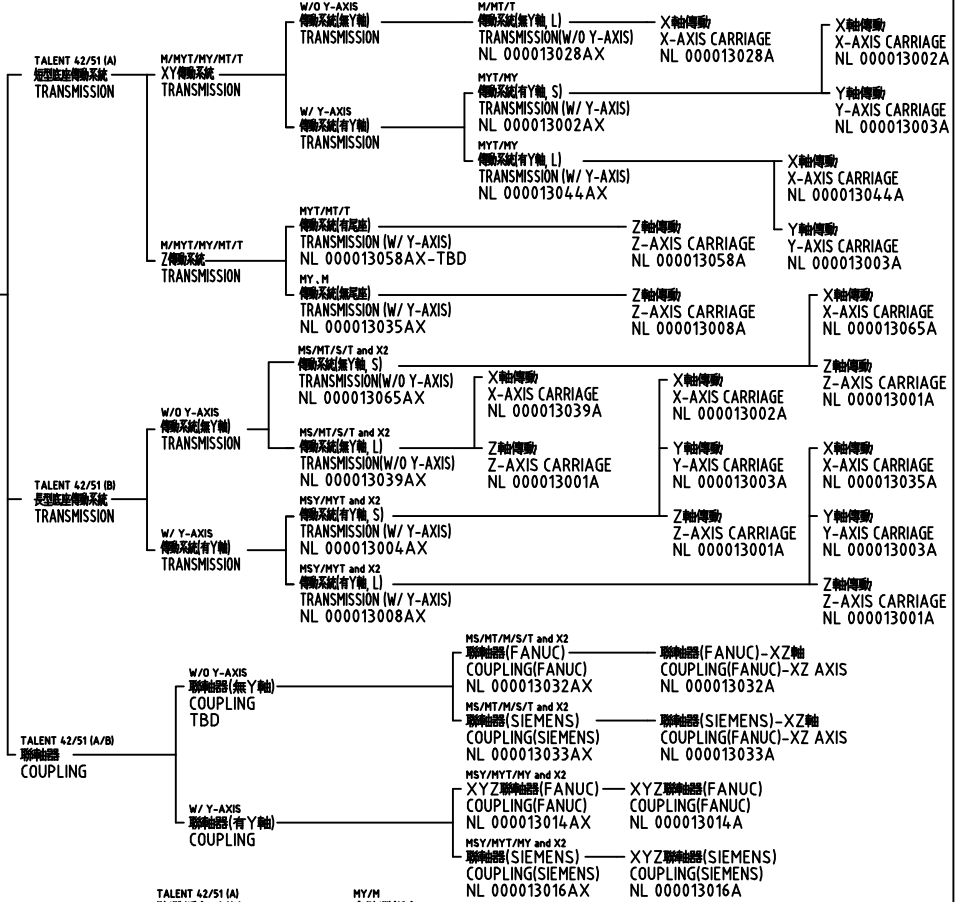
TALENT 42/51 (A)
VDI30 動力刀塔組合 (捷興-SIEMENS)
VDI 30 TURRET W/ LIVE TOOLING
NL 00000836A

接下頁
NEXT PAGE

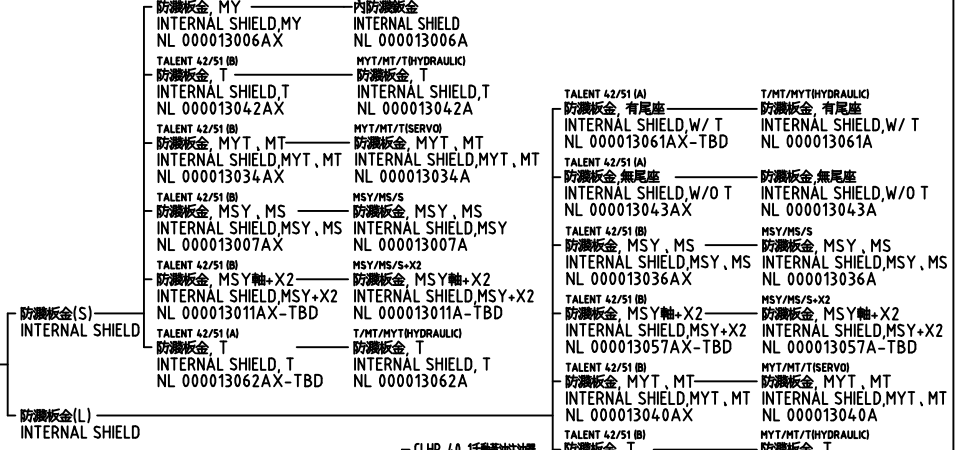
續上頁
CONTINUE

(Chapter 5)
軸向傳動系統+內部防護板金
TRANSMISSION-INTERNAL SHIELD

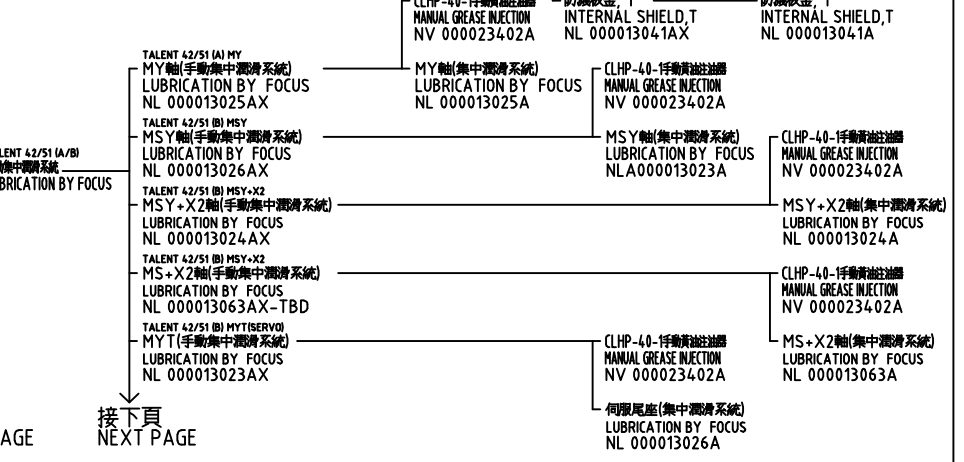
TALENT 42/51 (A/B)
傳動 (聯軸器)
TRANSMISSION (COUPLING)



內部防護板金
INTERNAL SHIELD



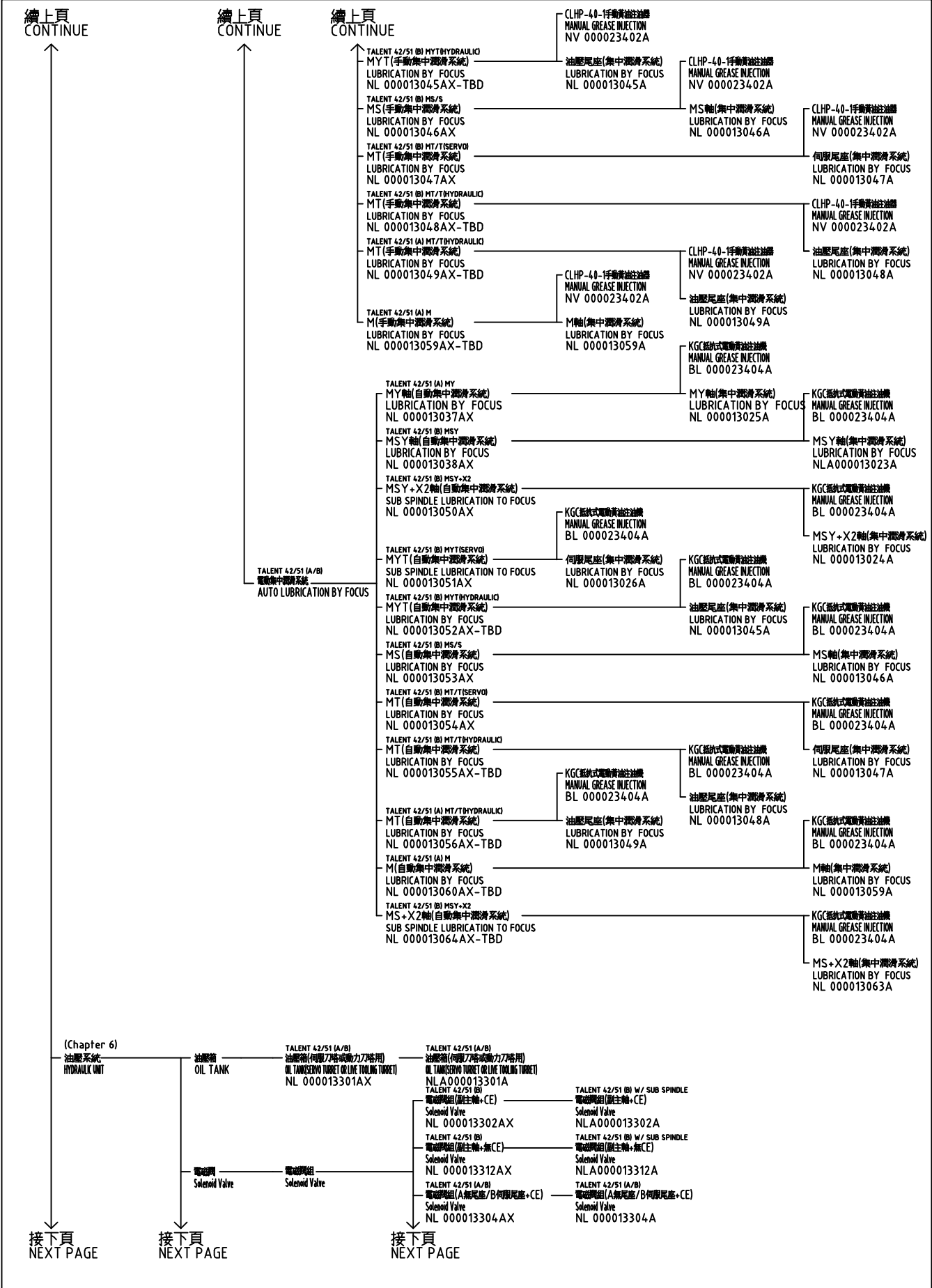
潤滑系統
LUBRICATION



接下頁
NEXT PAGE

接下頁
NEXT PAGE

接下頁
NEXT PAGE

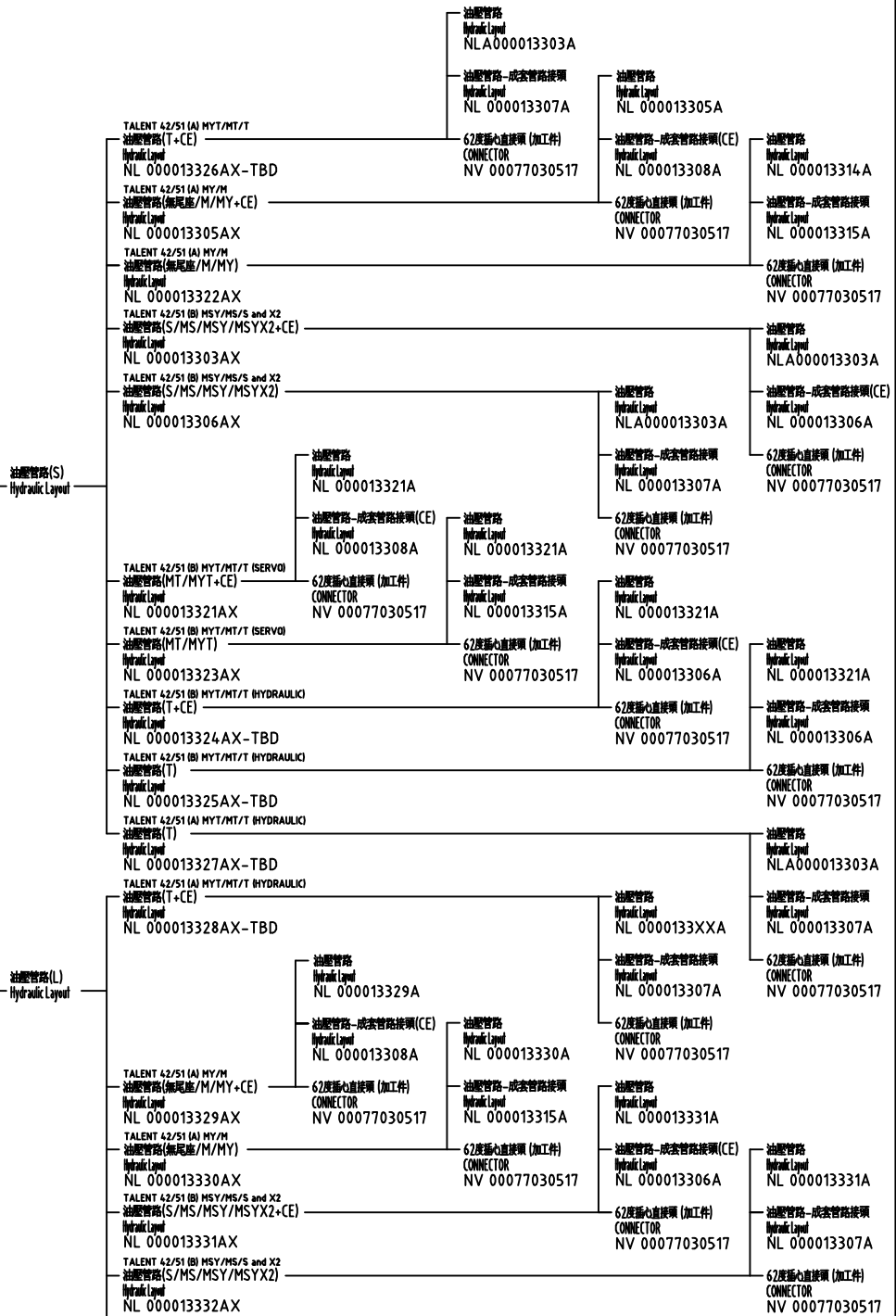


續上頁
CONTINUE

續上頁
CONTINUE

續上頁
CONTINUE

TALENT 42/51 (A/B) 電磁閥組(A無尾座/B有尾座+無CE) Solenoid Valve NL 000013313AX	TALENT 42/51 (A/B) 電磁閥組(A無尾座/B有尾座+無CE) Solenoid Valve NL 000013313A
TALENT 42/51 (A/B) 電磁閥組(油壓尾座+CE) Solenoid Valve NL 000013320AX	TALENT 42/51 (A/B) MYT/MT/T (HYDRAULIC) 電磁閥組(油壓尾座+CE) Solenoid Valve NL 000013320A
TALENT 42/51 (A/B) 電磁閥組(油壓尾座+無CE) Solenoid Valve NL 000013319AX-TBD	TALENT 42/51 (A/B) MYT/MT/T (HYDRAULIC) 電磁閥組(油壓尾座+無CE) Solenoid Valve NL 000013319A-TBD

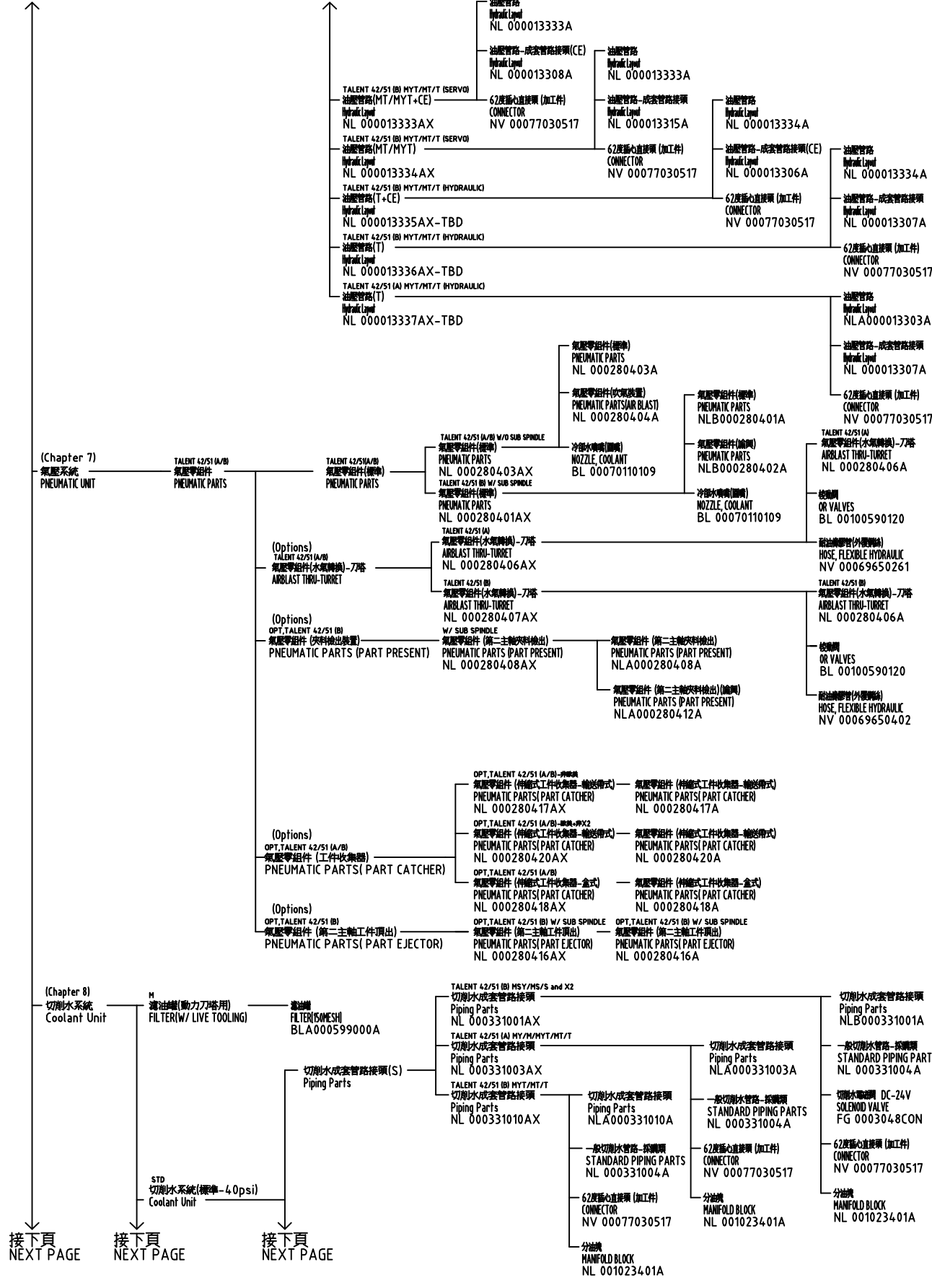


接下頁
NEXT PAGE

接下頁
NEXT PAGE

續上頁
CONTINUE

續上頁
CONTINUE



接下頁
NEXT PAGE

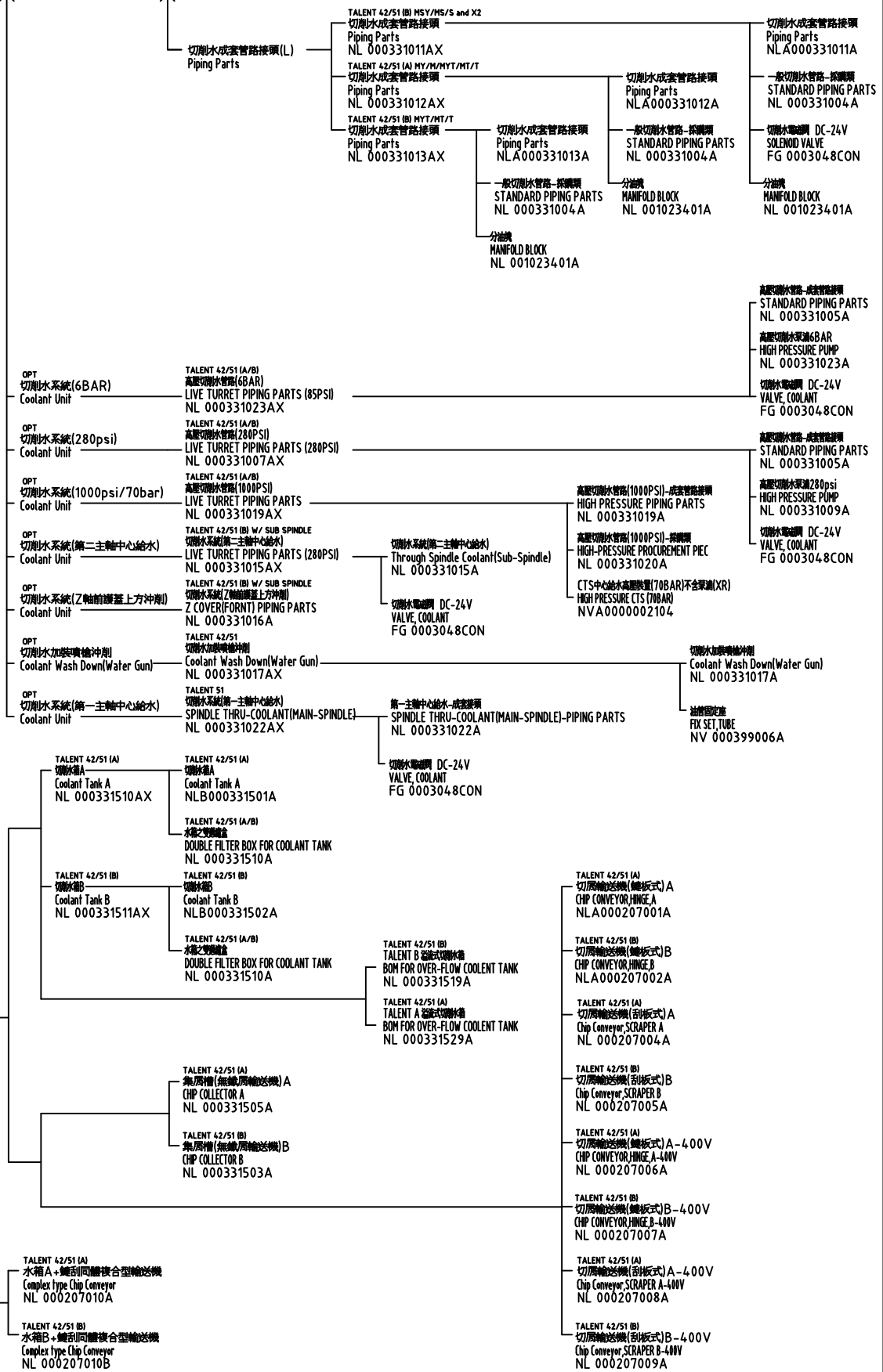
接下頁
NEXT PAGE

接下頁
NEXT PAGE

續上頁
CONTINUE

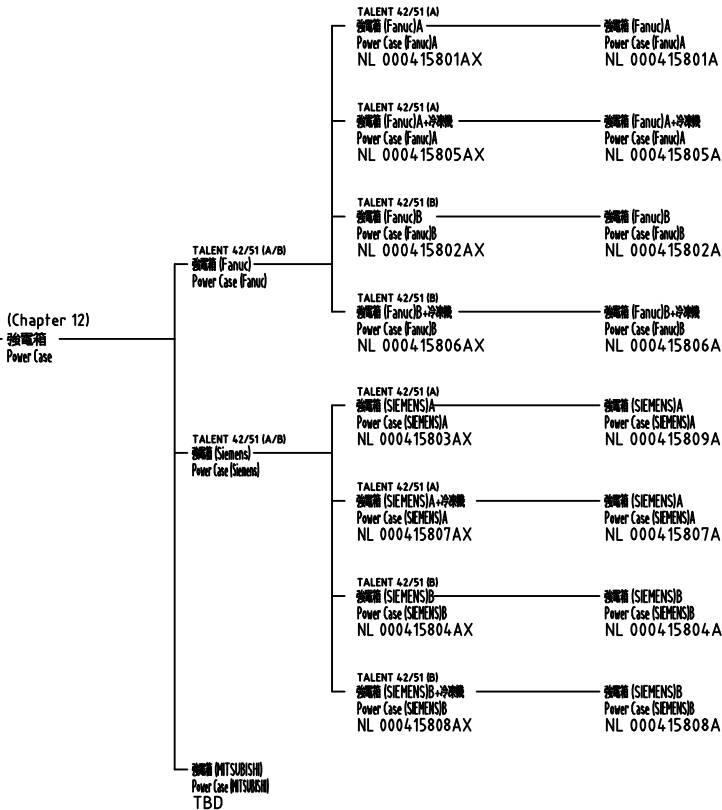
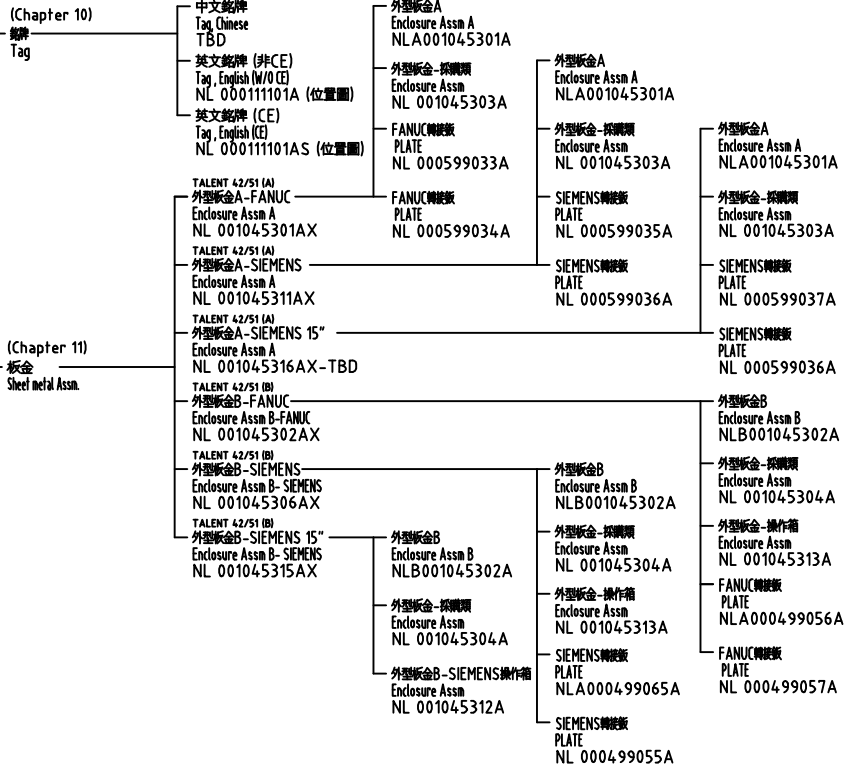
續上頁
CONTINUE

續上頁
CONTINUE



接下頁
NEXT PAGE

續上頁
CONTINUE



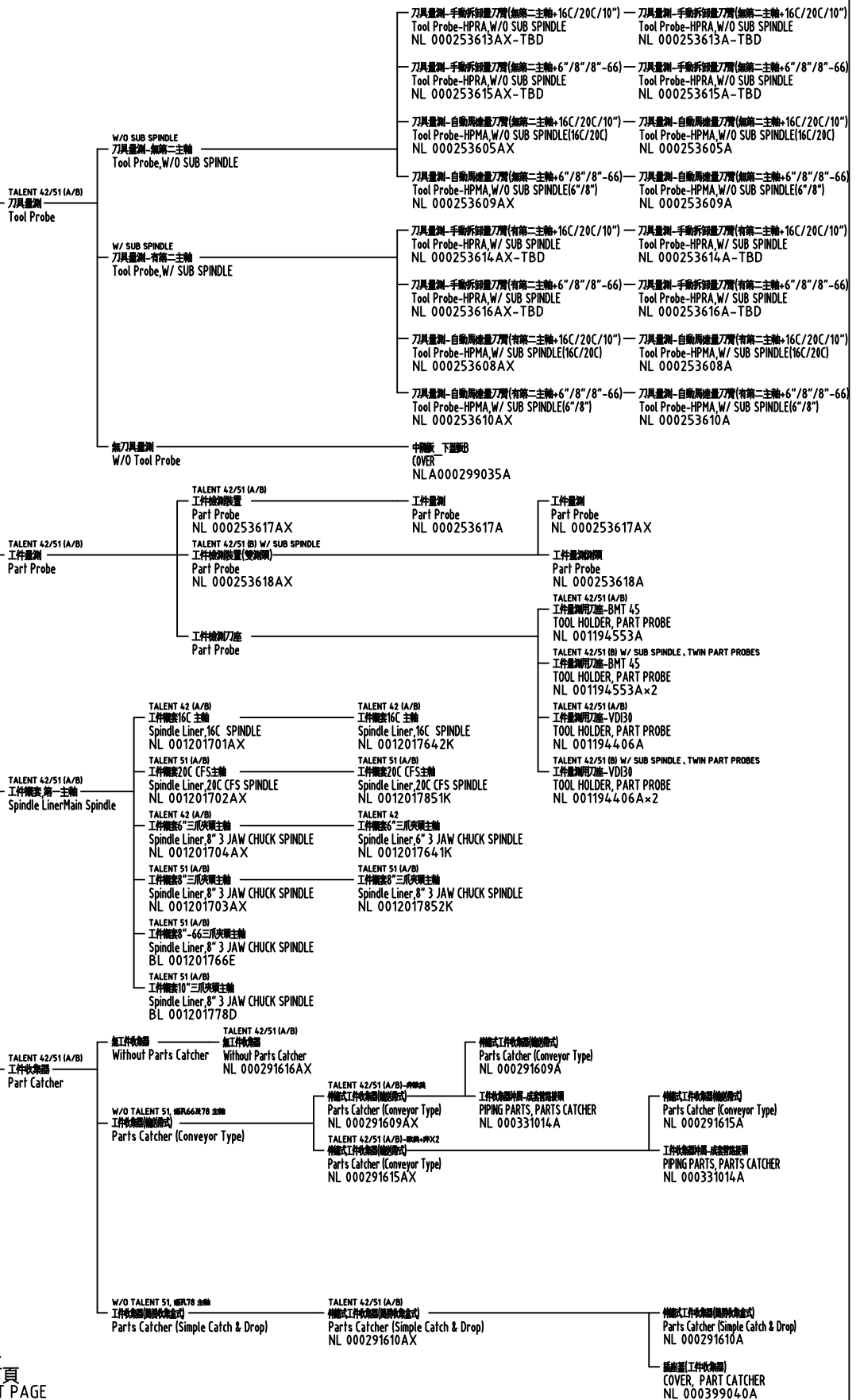
接下頁
NEXT PAGE

續上頁
CONTINUE

(Chapter 13)
特殊附件
Option

接下頁
NEXT PAGE

接下頁
NEXT PAGE



續上頁
CONTINUE

續上頁
CONTINUE

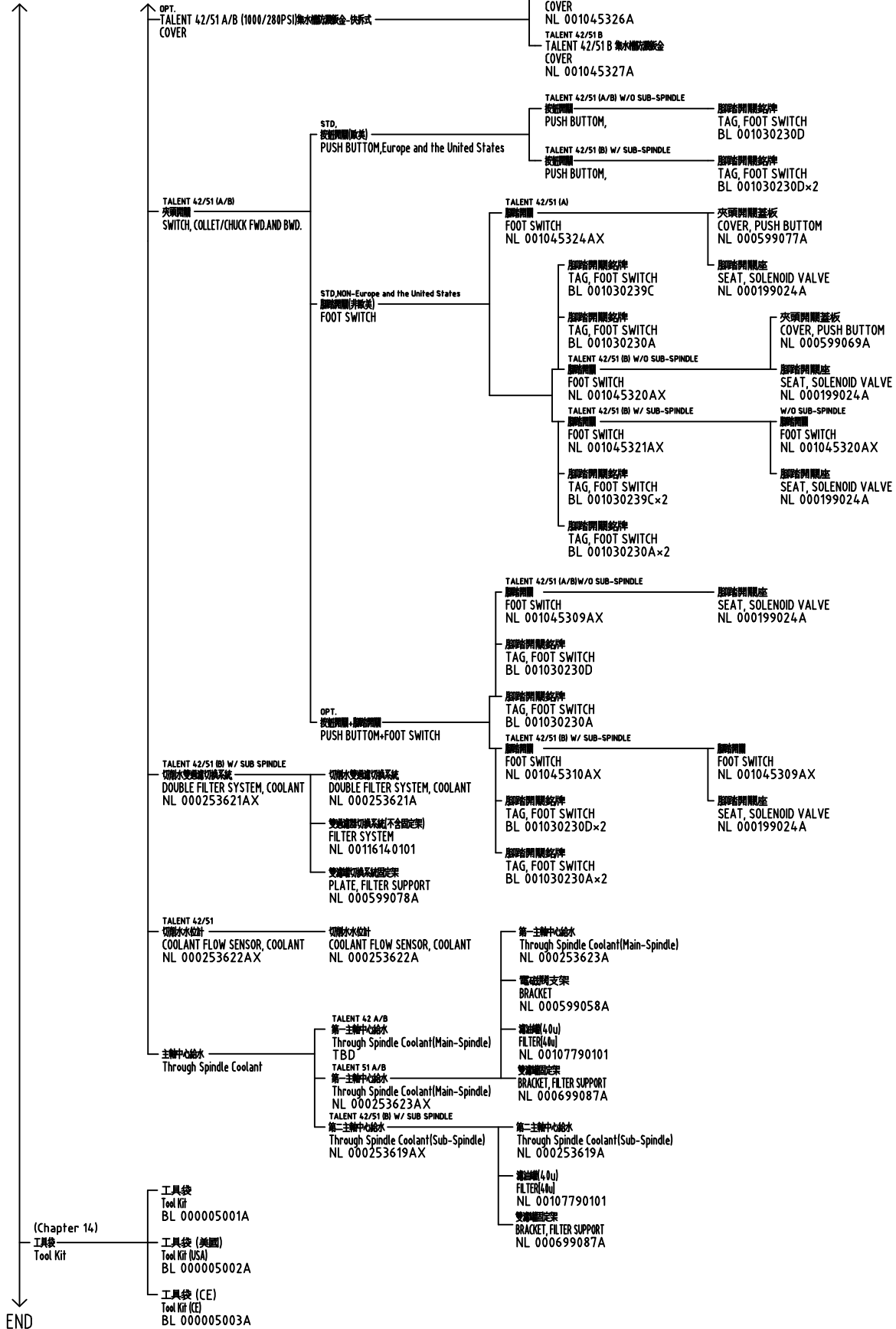
TALENT 42/51 (B) 夾料推出裝置 第二主軸 PART PRESENT DETECTOR,SUB SPINDLE NL 000253603AX	TALENT 42/51 (B) W/ SUB SPINDLE 夾料推出裝置 第二主軸 PART PRESENT DETECTOR,SUB SPINDLE NL 000253607A
TALENT 42/51 (A/B) 外型板金 (自動門) Enclosure (Auto door)	TALENT 42/51 (A) 外型板金 (自動門)A Enclosure (Auto door)A NL 000023801AX
	TALENT 42/51 (B) 外型板金 (自動門)B Enclosure (Auto door)B NL 000023802AX
TALENT 42/51 (A/B) 安全光幕 LIGHT CURTAIN	TALENT 42/51 (A) 安全光幕 A LIGHT CURTAIN A NL 001045305AX
	TALENT 42/51 (B) 安全光幕 B LIGHT CURTAIN B NL 001045308AX
TALENT 42/51 (A/B) 油霧收集器 MIST COLLECTOR	油霧收集器 GP 500 MIST COLLECTOR,LO SMA TW 001045306A
TALENT 42/51 (A/B) 集屑車 Chip Cart	集屑車 (鑷板式 / 刮板式) CHIP CART(HINGE/SCRAPER) BL 000207002A
	集屑車 (螺紋式) CHIP CART(AUGER) GX 000299020D
	TALENT 42/51 (A/B) [FANUC] 光學尺-Y軸 OPTICAL (FANUC) NL 000022402A
	TALENT 42/51 (B) W/O Y [FANUC] 光學尺-X軸 OPTICAL (FANUC) NL 000022401A
	TALENT 42/51 (A/B) [FANUC] 光學尺-Z軸 OPTICAL (FANUC) NL 000022403A
	P 150/200 B MYT/MSY [FANUC] 光學尺-X軸 OPTICAL (FANUC) NL 000022402A
	TALENT 42/51 (A/B) [FANUC] 光學尺-Y軸 OPTICAL (FANUC) NL 000022404A
	TALENT 42/51 (A) W/O Y [FANUC] 光學尺-X軸 OPTICAL (FANUC) NL 000022401A
	TALENT 42/51 (A/B) [FANUC] 光學尺-Z軸 OPTICAL (FANUC) NL 000022403A
TALENT 42/51 (A/B) 光學尺 OPTICAL	TALENT 42/51 (A) W/O Y [FANUC] 光學尺-X軸 OPTICAL (FANUC) NL 000022404AX-TBD
	TALENT 42/51 (A) W/O Y [FANUC] 光學尺-Y軸 OPTICAL (FANUC) NL 000022404AX-TBD
	TALENT 42/51 (B) W/ Y [SIEMENS] 光學尺-Y軸 OPTICAL (SIEMENS) NL 000022406AX
	TALENT 42/51 (B) W/O Y [SIEMENS] 光學尺-X軸 OPTICAL (SIEMENS) NL 000022407AX
	TALENT 42/51 (A) W/ Y [SIEMENS] 光學尺-Y軸 OPTICAL (SIEMENS) NL 000022408AX-TBD
	TALENT 42/51 (A) W/O Y [SIEMENS] 光學尺-X軸 OPTICAL (SIEMENS) NL 000022409AX-TBD
TALENT 42/51 冷凍機 CHILLER	TALENT 42/51 (A/B) [SIEMENS] 光學尺-X軸 OPTICAL (SIEMENS) NL 000022407A
	TALENT 42/51 (B) W/O Y [SIEMENS] 光學尺-Y軸 OPTICAL (SIEMENS) NL 000022408A
	TALENT 42/51 (B) W/O Y [SIEMENS] 光學尺-Z軸 OPTICAL (SIEMENS) NL 000022407A
	TALENT 42/51 (B) W/O Y [SIEMENS] 光學尺-X軸 OPTICAL (SIEMENS) NL 000022409AX
	FANUC 冷凍機-FANUC CHILLER NL 000013374AX
	SIEMENS 冷凍機-SIEMENS CHILLER NL 000013375AX
	冷凍機油路管 (光學尺) HYDRAULIC PIPE LAYOUT (CHILLER, XZ-AXIS OF SCALE) NL 000013375A
	油冷卻機 CHILLER UNIT GX 00034120103
	冷凍機油路管 (光學尺) HYDRAULIC PIPE LAYOUT (CHILLER, XZ-AXIS OF SCALE) NL 000013375A
	油冷卻機 (HBO-25OPTSBM9)(400V) OIL CHILLER(400V) VT 00034120106
TALENT 42/51 (B) W/ SUB SPINDLE 副主軸工件推出 Sub-Spindle Part Ejection	16C 副料器組合件 16C EJECTOR STOP ASSEMBLY NL 000291603AX
	16C 副料器組合件 16C EJECTOR STOP ASSEMBLY 1155000000000
	16C 氣壓式副料器 16C EJECTOR STOP, PNEUMATIC DRIVE NL 000291607AX
	16C 氣壓式副料器 16C EJECTOR STOP, PNEUMATIC DRIVE NL 000291607A
	副料器 (彈簧式, 第二主軸, 三爪夾頭用) SPRING EJECTOR STOP (SUB-SPINDLE) NL 000291604AX
	副料器 (彈簧式, 第二主軸, 三爪夾頭用) SPRING EJECTOR STOP (SUB-SPINDLE) BL 000291601K
	副料器 (氣壓式, 第二主軸, 三爪夾頭用) EJECTOR STOP, PNEUMATIC DRIVE NL 000291608AX
	副料器 (氣壓式, 第二主軸, 三爪夾頭用) EJECTOR STOP, PNEUMATIC DRIVE NL 000291608A

接下頁
NEXT PAGE

接下頁
NEXT PAGE

續上頁
CONTINUE

續上頁
CONTINUE



END

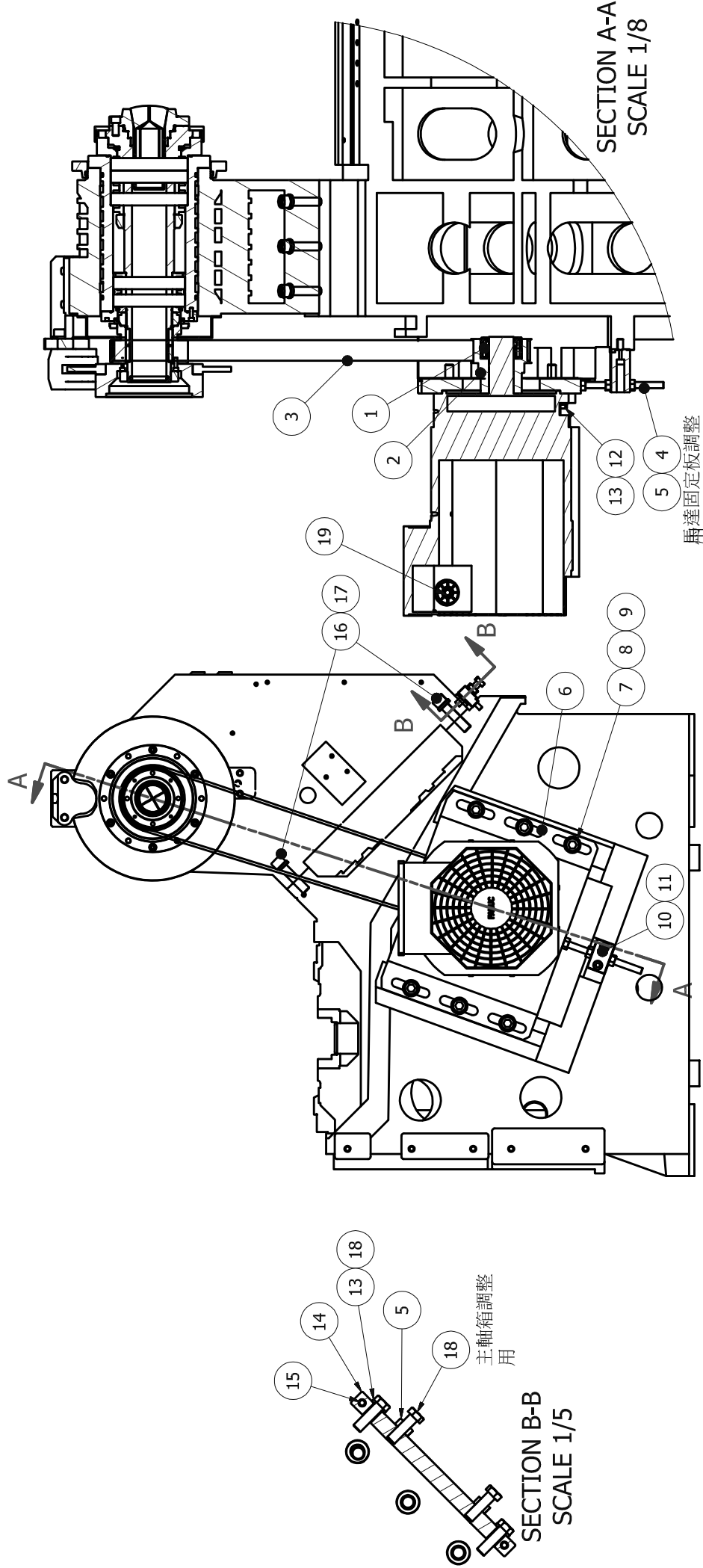
(Chapter 14)
工具袋
Tool Kit

Chapter 1

第一主軸

MAIN-SPINDLE

次序	設計變更紀錄	日期	ECN.
A	釋放	2015/12/12	1004020
B	更改調整螺絲長度	2016/10/28	--
C	新增件號19	2017/3/16	--



MODEL: TALENT 42/51

PART NAME
SPINDLE TRANSMISSION(FANUC)
主軸傳動(FANUC)

PART NUMBER
NL 00000201A

PAGE
1 OF 1

REV.
C

SCALE
1:8

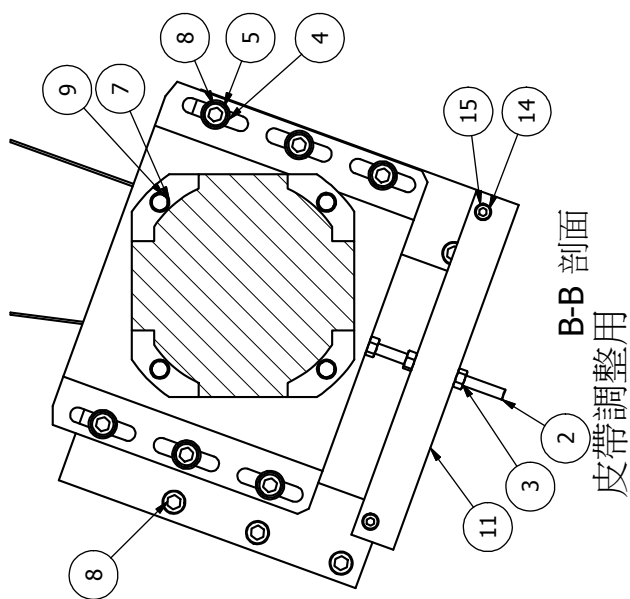
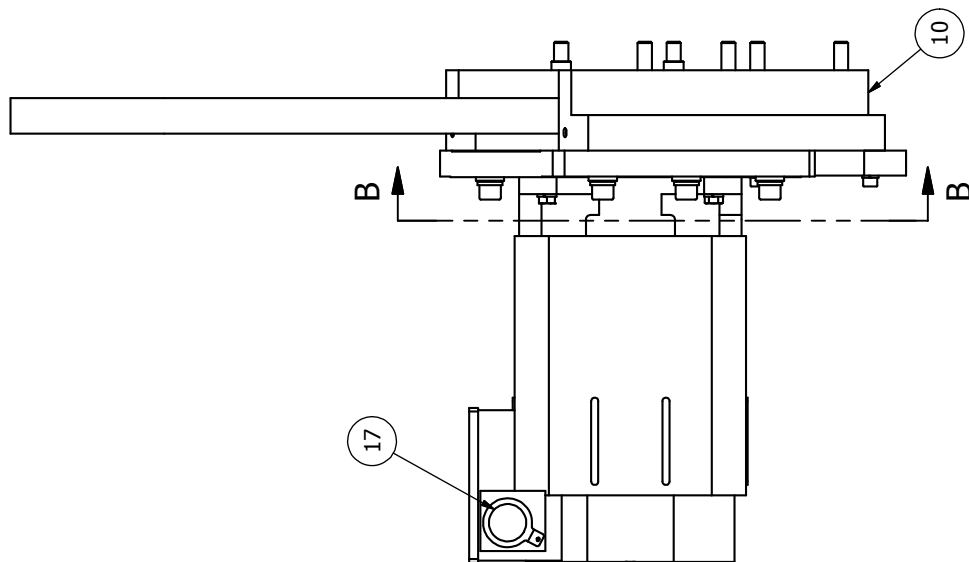
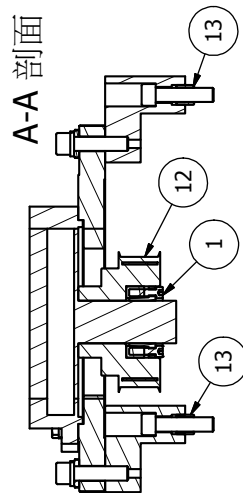
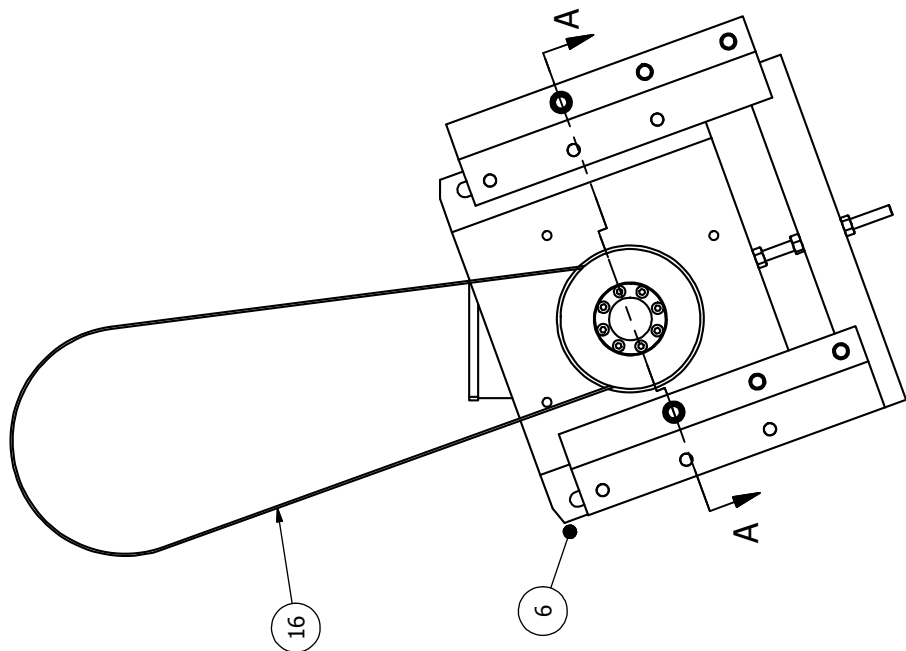
DATE
2015/6/17

PRODUCT BOM MASTER AND SUB-ITEMS LIST

Master Item Part NO.: NL 000000201A

Description: SPINDLE TRANSMISSION
主軸傳動(FANUC)

Item	Part NO.	Description	中文名稱	Specification	Qty	Unit
1.00	NL 001179200A	FLANGE	迫緊環	SDS D48XD80XL41	1.00	EA
2.01	NL 000317700A	PULLEY, MOTOR	主軸馬達齒帶輪	D112.33XD48XL110	1.00	EA
3.00	NL 00033460101	TIMING BELT	齒形皮帶	[CONTI]1760-SUPERME-S8M-40-消音溝	1.00	EA
4.00	BLA000668401A	BOLT, ADJUSTING	調整螺絲	M12XL180	1.00	EA
5.00	MN 0114210	HEXAGON NUT	六角螺帽	M12XP1.75	5.00	EA
6.01	NL 001066105A	SEAT, MOTOR	馬達板(FANUC&三菱)	L410XW310XH30	1.00	EA
7.02	NV 000399055A	PLATE	墊塊(M16 WASHER)(K7)	D Φ 32XD Φ 16.5XT6(M16 WASHER)(K7)	6.00	EA
8.00	MW 0184610	SPRING WASHER	彈簧墊圈	M16(HEAT TREATMENT)	6.00	EA
9.00	MS 0104627	SOCKET HD. CAP SCREW	六角穴圓頭螺絲	M16XP2.0XL65	6.00	EA
10.01	NL 001059007A	ADJUSTING BLOCK	調整塊	L265XW40XH20	1.00	EA
11.00	MS 0104022	SOCKET HEAD CAP SCREW	六角穴圓頭螺絲	M10XP1.5XL40	2.00	EA
12.00	MS 0154223	HEX HD., FULL THD	六角頭螺絲	M12XP1.75XL45, ST12.9	4.00	EA
13.00	MW 0184210	SPRING WASHER	彈簧墊圈	M12(HEAT TREATMENT)	6.00	EA
14.01	NL 000022100A	SPACER, SPINDLE	固定塊	L265*W40*H20	1.00	EA
15.00	MS 0103823	SOCKET HEAD CAP SCREW	六角穴圓頭螺絲	M8XP1.25XL45	2.00	EA
16.00	MS 0104628	SOCKET HD. CAP SCREW	六角穴圓頭螺絲	M16XP2.0XL70	6.00	EA
17.00	NL 001108301A	WASHER	墊圈(M16 WASHER)	D30XD16.5XT6(M16 WASHER)	6.00	EA
18.00	MS 0154222	HEX HD., FULL THD	六角頭螺絲	M12XP1.75XL40, ST12.9	4.00	EA
19.00	NV 000199099A	GROUD PLATE, SPINDLE MOTER	主軸馬達接地板	L72.5XW55XH2.3	1.00	EA



備註:皮帶張力(N): 373.5 (30Hz)

MODEL: TALENT 51

PART NAME
Spindle Transmission
主軸傳動(FANUC-通孔66)

PART NUMBER
NL 00000201B

PAGE
1 OF 1

REV.
0

SCALE
1 / 6

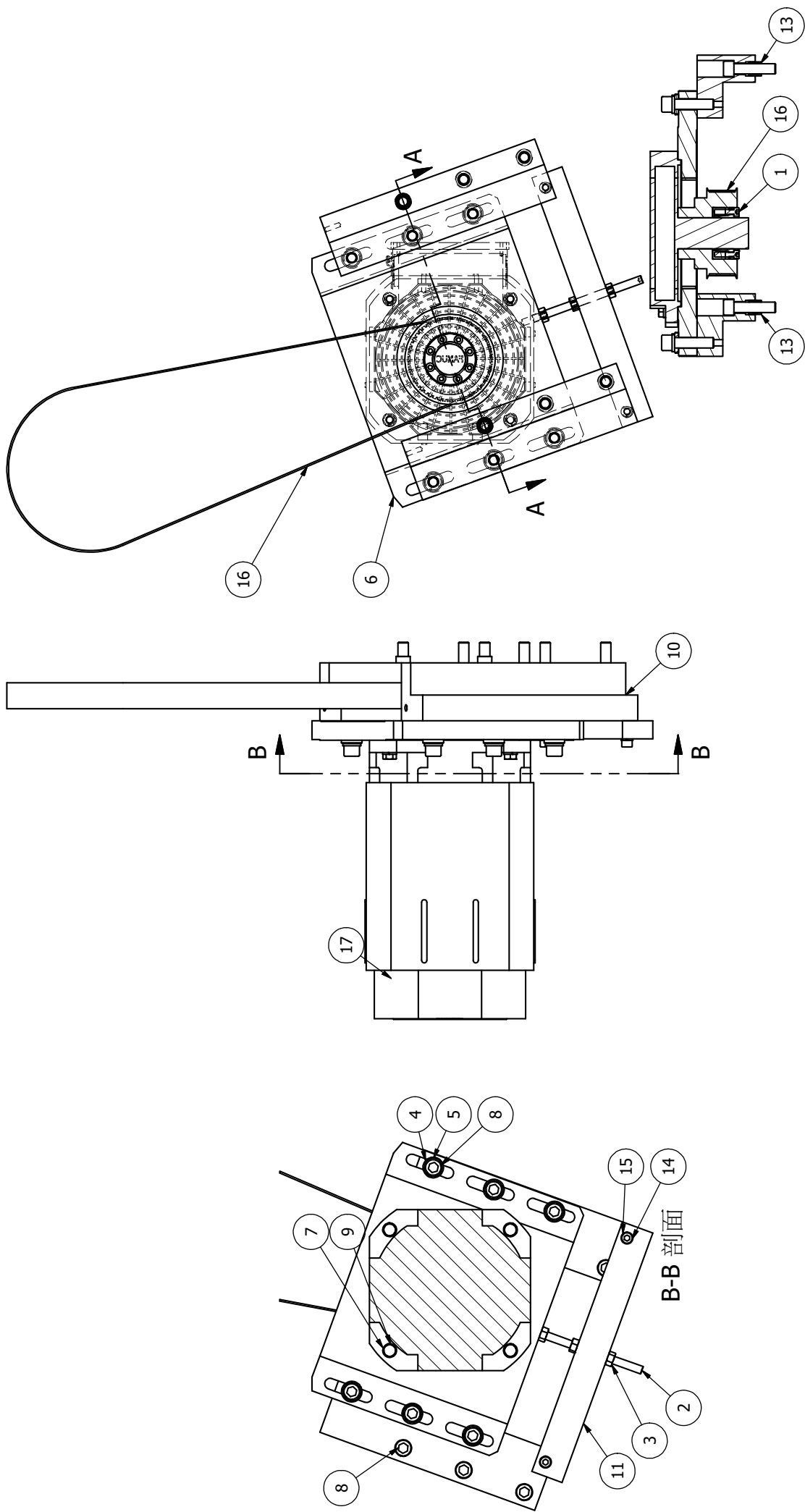
DATE
2018/11/27

PRODUCT BOM MASTER AND SUB-ITEMS LIST

Master Item Part NO.: NL 000000201B
Description: SPINDLE TRANSMISSION
主軸傳動(FANUC-通孔66)

Item Part NO.	Description	中文名稱	Specification	Qty	Unit
1.00	NL 001179200A	迫緊環	SDS D48XD80XL41	1.00	EA
2.00	BLA000668401A	調整螺絲	M12XL180	1.00	EA
3.00	MN 0114210	六角螺帽	M12XP1.75	3.00	EA
4.00	NV 000399055A	墊塊(M16 WASHER)(K7)	DΦ32XDΦ16.5XT6(M16 WASHER)(K7)	6.00	EA
5.00	MW 0184610	彈簧墊圈	M16(HEAT TREATMENT)	6.00	EA
6.00	NL 001066105A	馬達板(FANUC&三菱)	L410XW310XH30	1.00	EA
7.00	MW 0184210	彈簧墊圈	M12(HEAT TREATMENT)	4.00	EA
8.00	MS 0104627	六角穴圓頭螺絲	M16XP2.0XL65	12.00	EA
9.00	MS 0154223	六角頭螺絲	M12XP1.75XL45, ST12.9	4.00	EA
10.01	NL 001059013B	馬達板墊塊	L355XW97XH90	2.00	EA
11.01	NL 001059007B	調整塊	L412XW50XH28	1.00	EA
12.01	NL 000317701B	馬達齒帶輪	P58-S8M-40	1.00	EA
13.01	TW 001023400A	主軸箱定位銷	D22XL20	2.00	EA
14.00	MS 0104023	六角穴圓頭螺絲	M10XP1.5XL45	2.00	EA
15.00	MW 0184010	彈簧墊圈	M10(HEAT TREATMENT)	2.00	EA
16.00	NL 00033460104	齒型皮帶(S8M,40中間加消音溝)	[CONTI]1776-S8M-40MM	1.00	EA
17.00	NV 000199099A	主軸馬達接地板	L72.5XW55XH2.3	1.00	EA

次序	設計變更紀錄	日期	ECN.
A		2019/4/23	33304
	新增		



A-A 剖面

B-B 剖面

MODEL: TALENT 51	PART NUMBER	NL 000000202B	
PART NAME	SPINDLE TRANSMISSION(FANUC)		
主軸傳動(FANUC-通孔78)	PAGE	1 OF 1	
DATE	2018/12/18	SCALE	1 / 6
		REV.	A

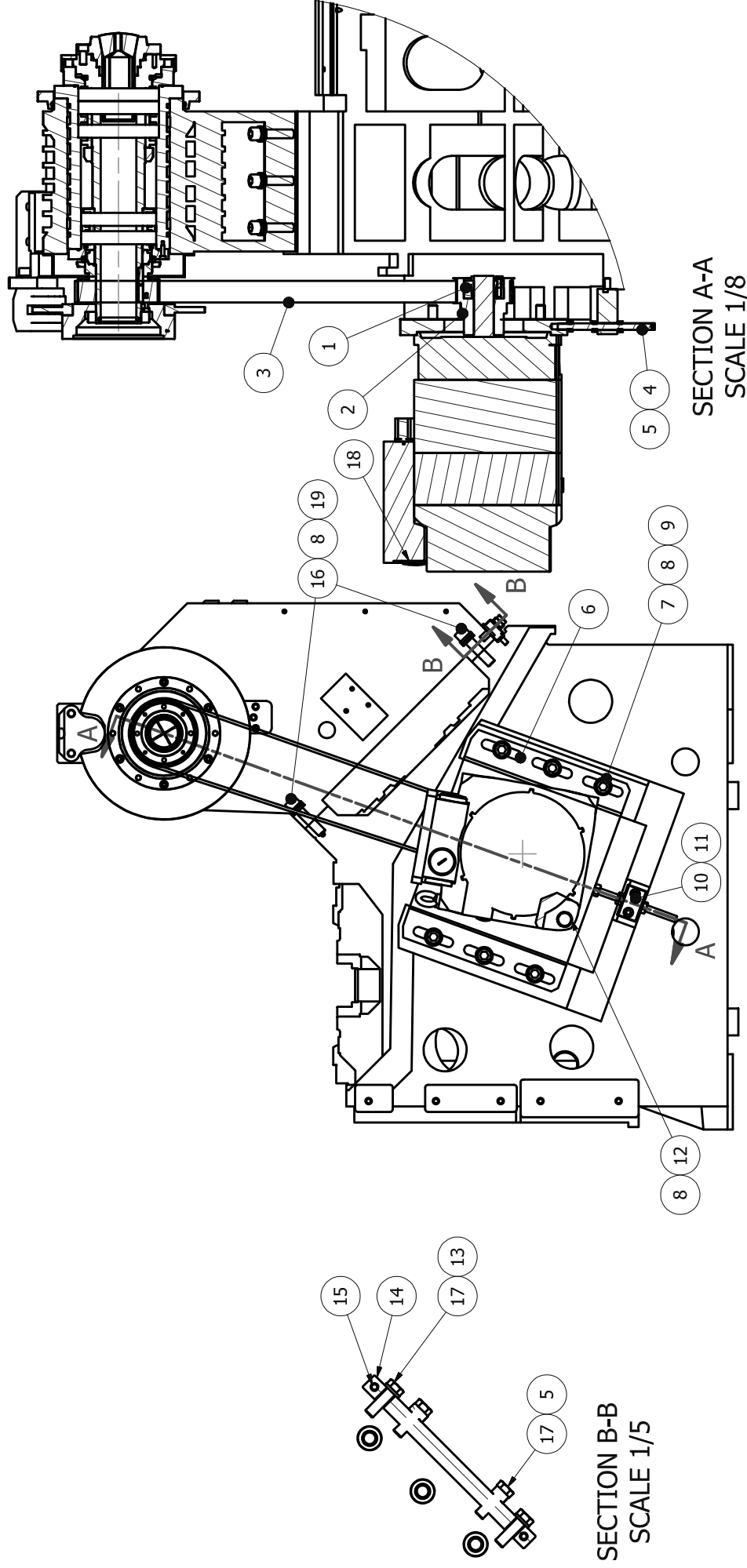
PRODUCT BOM MASTER AND SUB-ITEMS LIST

Master Item Part NO.: NL 000000202B

Description: SPINDLE TRANSMISSION
主軸傳動(FANUC-通孔78)

Item Part NO.	Description	中文名稱	Specification	Qty	Unit
1.00 NL 001179200A	FLANGE	迫緊環	SDS D48XD80XL41	1.00	EA
2.00 BLA000668401A	BOLT, ADJUSTING	調整螺絲	M12XL180	1.00	EA
3.00 MN 0114210	HEXAGON NUT	六角螺帽	M12XP1.75	3.00	EA
4.00 NV 000399055A	PLATE	墊塊(M16 WASHER)(K7)	DΦ32XDΦ16.5XT6(M16 WASHER)(K7)	6.00	EA
5.00 MW 0184610	SPRING WASHER	彈簧墊圈	M16(HEAT TREATMENT)	6.00	EA
6.00 NL 001066105A	SEAT, MOTOR	馬達板(FANUC&三菱)	L410XW310XH30	1.00	EA
7.00 MW 0184210	SPRING WASHER	彈簧墊圈	M12(HEAT TREATMENT)	4.00	EA
8.00 MS 0104627	SOCKET HD. CAP SCREW	六角穴圓頭螺絲	M16XP2.0XL65	12.00	EA
9.00 MS 0154223	HEX HD., FULL THD	六角頭螺絲	M12XP1.75XL45, ST12.9	4.00	EA
10.00 NL 001059013B	BLOCK,MOTOR	馬達板墊塊	L355XW97XH90	2.00	EA
11.00 NL 001059007B	ADJUSTING BLOCK	調整塊	L412XW50XH28	1.00	EA
12.00 NL 000317702B	PULLEY,MOTOR	馬達齒帶輪	P52-S8M-40	1.00	EA
13.00 TW 001023400A	ORIENTATION, HEADSTOCK	主軸箱定位銷	D22XL20	2.00	EA
14.00 MS 0104023	SOCKET HEAD CAP SCREW	六角穴圓頭螺絲	M10XP1.5XL45	2.00	EA
15.00 MW 0184010	SPRING WASHER	彈簧墊圈	M10(HEAT TREATMENT)	2.00	EA
16.00 NL 00033460104	TIMING BELT	齒型皮帶(S8M,40中間加消音溝)	[CONTI]1776-S8M-40MM	1.00	EA
17.00 NV 000199099A	GROUD PLATE, SPINDLE MOTER	主軸馬達接地板	L72.5XW55XH2.3	1.00	EA

次序	設計變更紀錄	日期	ECN.
A	新繪	2016/6/27	1004020



SECTION A-A
SCALE 1/8

SECTION B-B
SCALE 1/5

MODEL: TALENT 42/51	
PART NAME	PART NUMBER
SPINDLE TRANSMISSION(SIEMENS)	NL 00000203A
主軸傳動(SIEMENS)	PAGE 1 OF 1
DATE 2015/6/17	SCALE 1:8 REV. A

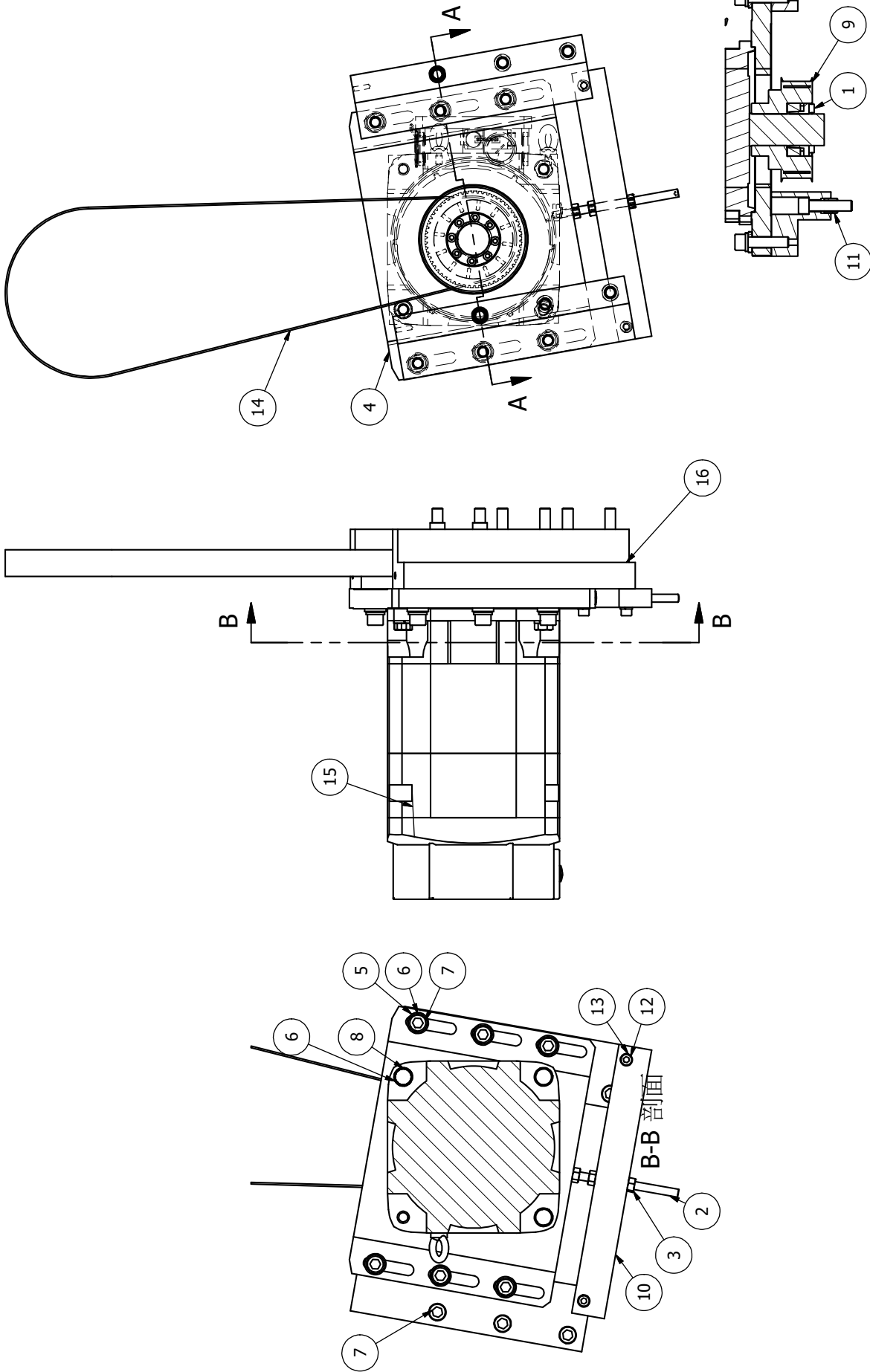
PRODUCT BOM MASTER AND SUB-ITEMS LIST

Master Item Part NO.: NL 000000203A

Description: SPINDLE TRANSMISSION
主軸傳動(SIEMENS)

Item	Part NO.	Description	中文名稱	Specification	Qty	Unit
1.00	NL 001179200A	FLANGE	迫緊環	SDS D48XD80XL41	1.00	EA
2.00	NL 000317700A	PULLEY, MOTOR	主軸馬達齒帶輪	D112.33XD48XL110	1.00	EA
3.00	NL 00033460101	TIMING BELT	齒形皮帶	[CONTI]1760-SUPERME-S8M-40-消音溝	1.00	EA
4.00	BLA000668401A	BOLT, ADJUSTING	調整螺絲	M12XL180	1.00	EA
5.00	MN 0114210	HEXAGON NUT	六角螺帽	M12XP1.75	5.00	EA
6.01	NL 001066106A	SEAT, MOTOR	馬達板(SIEMENS)	L410XW310XH30	1.00	EA
7.01	NL 001108301A	WASHER	墊圈(M16 WASHER)	D30XD16.5XT6(M16 WASHER)	12.00	EA
8.00	MW 0184610	SPRING WASHER	彈簧墊圈	M16(HEAT TREATMENT)	12.00	EA
9.00	MS 0104627	SOCKET HD. CAP SCREW	六角穴圓頭螺絲	M16XP2.0XL65	6.00	EA
10.01	NL 001059007A	ADJUSTING BLOCK	調整塊	L265XW40XH20	1.00	EA
11.00	MS 0104022	SOCKET HEAD CAP SCREW	六角穴圓頭螺絲	M10XP1.5XL40	2.00	EA
12.01	MS 0154624	HEX HD., FULL THD	六角頭螺絲	M16XP2.0XL50, ST12.9	4.00	EA
13.00	MW 0184210	SPRING WASHER	彈簧墊圈	M12(HEAT TREATMENT)	6.00	EA
14.01	NL 000022100A	SPACER, SPINDLE	固定塊	L265*W40*H20	1.00	EA
15.00	MS 0103823	SOCKET HEAD CAP SCREW	六角穴圓頭螺絲	M8XP1.25XL45	2.00	EA
16.00	MS 0104628	SOCKET HD. CAP SCREW	六角穴圓頭螺絲	M16XP2.0XL70	6.00	EA
17.00	MS 0154222	HEX HD., FULL THD	六角頭螺絲	M12XP1.75XL40, ST12.9	4.00	EA
18.00	NV 000199099A	GROUD PLATE, SPINDLE MOTER	主軸馬達接地板	L72.5XW55XH2.3	1.00	EA

次序	設計變更紀錄	日期	ECN.
A	新增	2019/4/23	33304



A-A 剖面

MODEL: TALENT 51	PART NUMBER	SCALE	REV.
PART NAME	NL 000000203B	1 / 6	A
Spindle Transmission	PAGE	1 OF 1	
主軸傳動(SIEMENS-通孔66)	DATE	2018/12/18	

PRODUCT BOM MASTER AND SUB-ITEMS LIST

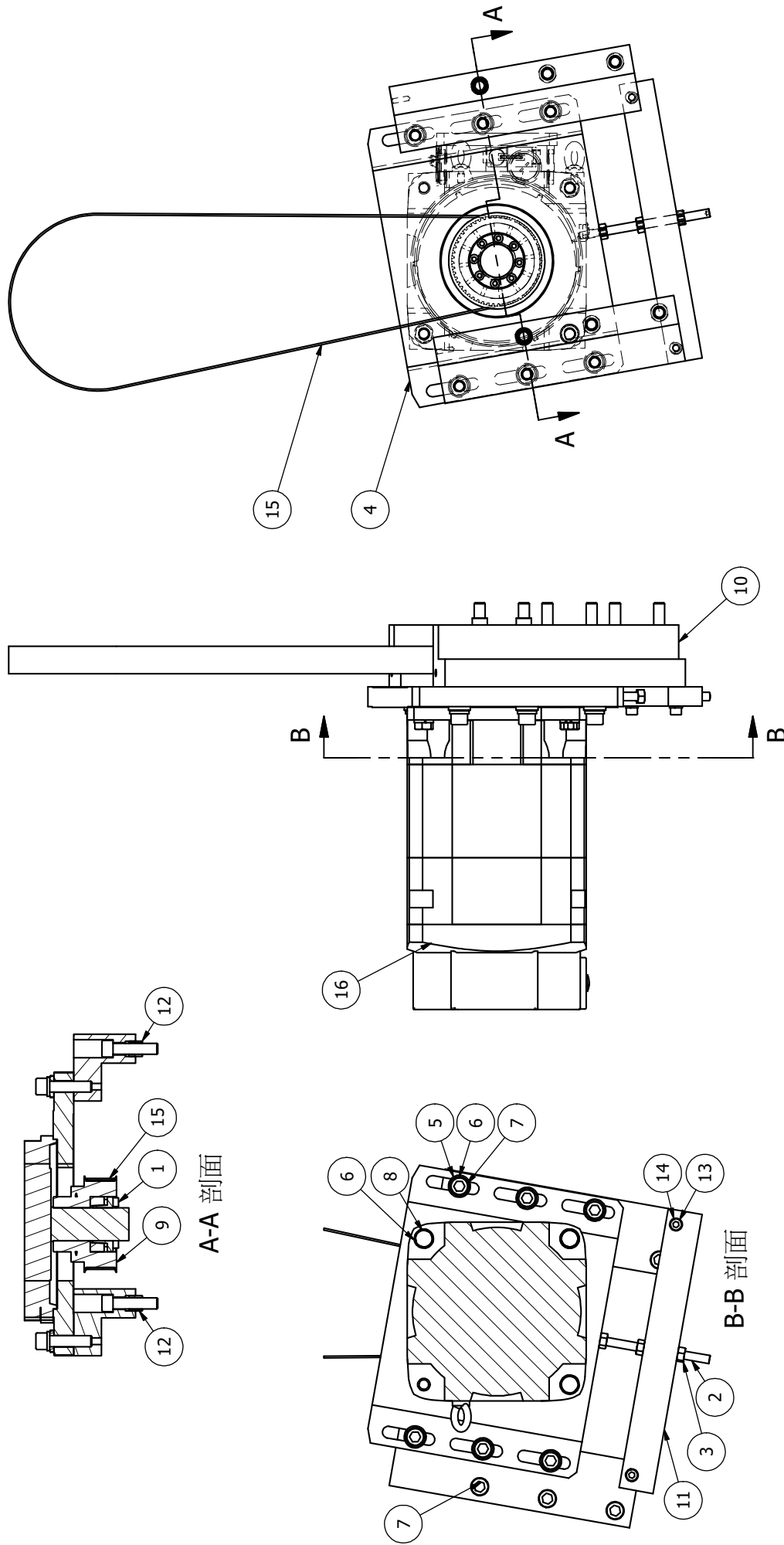
Master Item Part NO.: NL 000000203B

Description: SPINDLE TRANSMISSION

主軸傳動(SIEMENS-通孔66)

Item Part NO.	Description	中文名稱	Specification	Qty	Unit
1.00 NL 001179200A	FLANGE	迫緊環	SDS D48XD80XL41	1.00	EA
2.00 BLA000668401A	BOLT, ADJUSTING	調整螺絲	M12XL180	1.00	EA
3.00 MN 0114210	HEXAGON NUT	六角螺帽	M12XP1.75	3.00	EA
4.00 NL 001066106A	SEAT, MOTOR	馬達板(SIEMENS)	L410XW310XH30	1.00	EA
5.00 NV 000399055A	PLATE	墊塊(M16 WASHER)(K7)	DΦ32XDΦ16.5XT6(M16 WASHER)(K7)	6.00	EA
6.00 MW 0184610	SPRING WASHER	彈簧墊圈	M16(HEAT TREATMENT)	10.00	EA
7.00 MS 0104627	SOCKET HD. CAP SCREW	六角六圓頭螺絲	M16XP2.0XL65	12.00	EA
8.00 MS 0154624	HEX HD., FULL THD	六角頭螺絲	M16XP2.0XL50, ST12.9	4.00	EA
9.00 NL 000317701B	PULLEY,MOTOR	馬達齒帶輪	P58-S8M-40	1.00	EA
10.00 NL 001059007B	ADJUSTING BLOCK	調整塊	L412XW50XH28	1.00	EA
11.00 NL 001059013B	BLOCK,MOTOR	馬達板墊塊	L355XW97XH90	2.00	EA
12.01 TW 001023400A	ORIENTATION, HEADSTOCK	主軸箱定位銷	D22XL20	2.00	EA
13.00 MS 0104023	SOCKET HEAD CAP SCREW	六角六圓頭螺絲	M10XP1.5XL45	2.00	EA
14.00 MW 0184010	SPRING WASHER	彈簧墊圈	M10(HEAT TREATMENT)	2.00	EA
15.00 NL 00033460104	TIMING BELT	齒型皮帶(S8M,40中間加消音溝)	[CONTIJ1776-S8M-40MM	1.00	EA
16.00 NV 000199099A	GROUD PLATE, SPINDLE MOTER	主軸馬達接地板	L72.5XW55XH2.3	1.00	EA

次序	設計變更紀錄	日期	ECN.
A	新增	2019/4/23	33304



MODEL: TALENT 51	
PART NAME	PART NUMBER
SPINDLE TRANSMISSION	NL 000000204B
主軸傳動(SIEMENS-通孔 78)	PAGE 1 OF 1
DATE 2018/12/18	SCALE 1 / 6
	REV. A

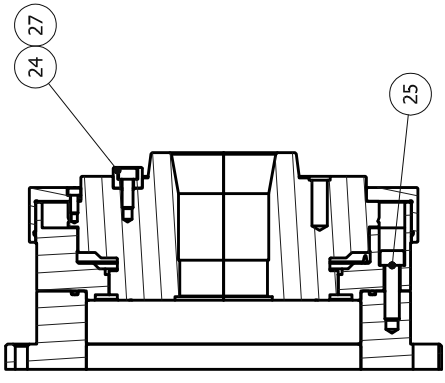
PRODUCT BOM MASTER AND SUB-ITEMS LIST

Master Item Part NO.: NL 000000204B

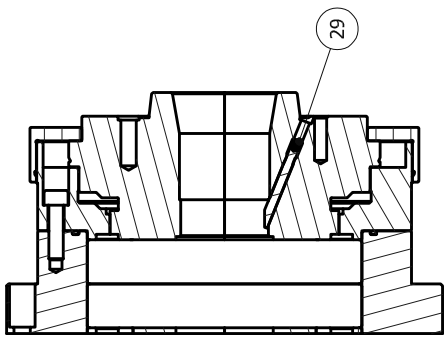
Description: SPINDLE TRANSMISSION

主軸傳動(SIEMENS-通孔78)

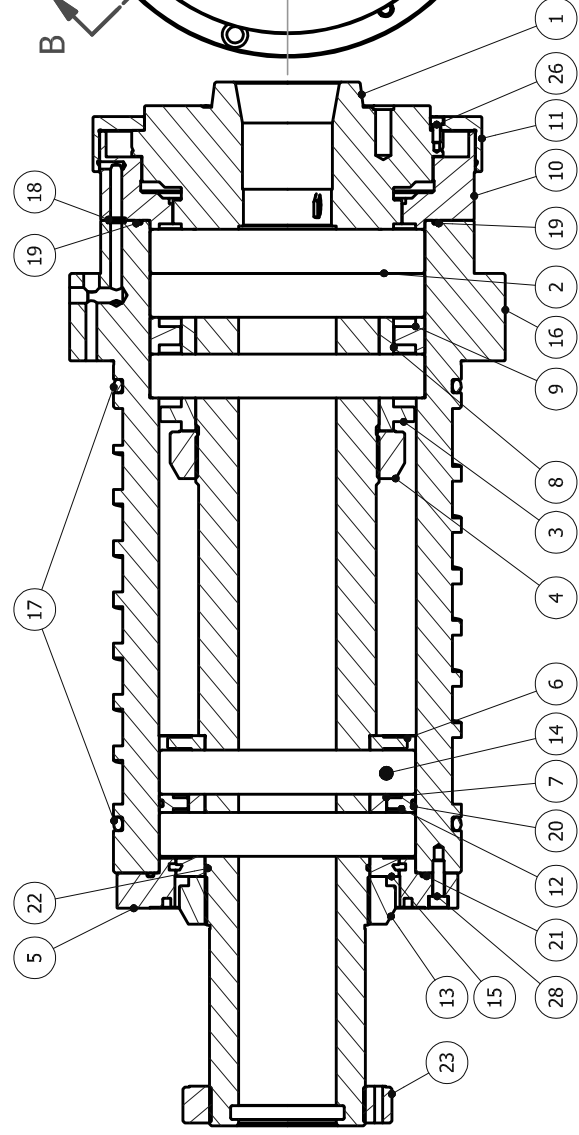
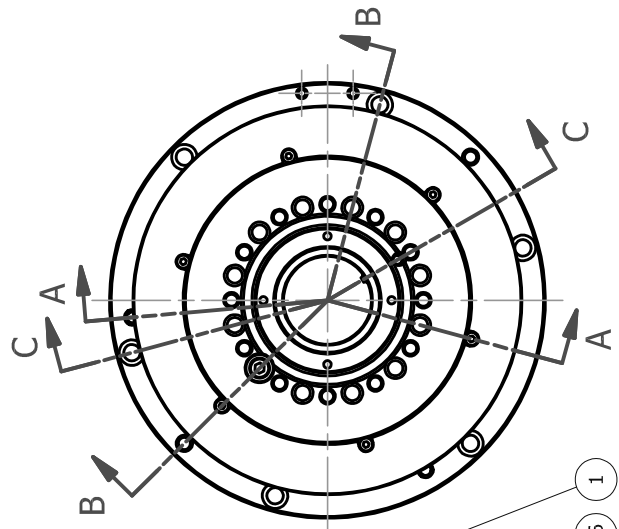
Item Part NO.	Description	中文名稱	Specification	Qty	Unit
1.00 NL 001179200A	FLANGE	迫緊環	SDS D48XD80XL41	1.00	EA
2.00 BLA000668401A	BOLT, ADJUSTING	調整螺絲	M12XL180	1.00	EA
3.00 MN 0114210	HEXAGON NUT	六角螺帽	M12XP1.75	3.00	EA
4.00 NL 001066106A	SEAT, MOTOR	馬達板(SIEMENS)	L410XW310XH30	1.00	EA
5.00 NV 000399055A	PLATE	墊塊(M16 WASHER)(K7)	DΦ32XDΦ16.5XT6(M16 WASHER)(K7)	6.00	EA
6.00 MW 0184610	SPRING WASHER	彈簧墊圈	M16(HEAT TREATMENT)	10.00	EA
7.00 MS 0104627	SOCKET HD. CAP SCREW	六角六圓頭螺絲	M16XP2.0XL65	12.00	EA
8.00 MS 0154624	HEX HD., FULL THD	六角頭螺絲	M16XP2.0XL50, ST12.9	4.00	EA
9.00 NL 000317702B	PULLEY,MOTOR	馬達齒帶輪	P52-S8M-40	1.00	EA
10.00 NL 001059007B	ADJUSTING BLOCK	調整塊	L412XW50XH28	1.00	EA
11.00 NL 001059013B	BLOCK,MOTOR	馬達板墊塊	L355XW97XH90	2.00	EA
12.01 TW 001023400A	ORIENTATION, HEADSTOCK	主軸箱定位銷	D22XL20	2.00	EA
13.00 MS 0104023	SOCKET HEAD CAP SCREW	六角六圓頭螺絲	M10XP1.5XL45	2.00	EA
14.00 MW 0184010	SPRING WASHER	彈簧墊圈	M10(HEAT TREATMENT)	2.00	EA
15.00 NL 00033460104	TIMING BELT	齒型皮帶(S8M,40中間加消音溝)	[CONTIJ1776-S8M-40MM	1.00	EA
16.00 NV 000199099A	GROUD PLATE, SPINDLE MOTER	主軸馬達接地板	L72.5XW55XH2.3	1.00	EA



SECTION B-B
SCALE 1/3



SECTION C-C
SCALE 1/3



SECTION A-A
SCALE 1/3

MODEL: TALENT 42	
PART NAME	PART NUMBER
CARTRIDGE	NL 000015726A
DATE	PAGE
2015/8/28	1 OF 1
SCALE	REV.
1 : 4	A

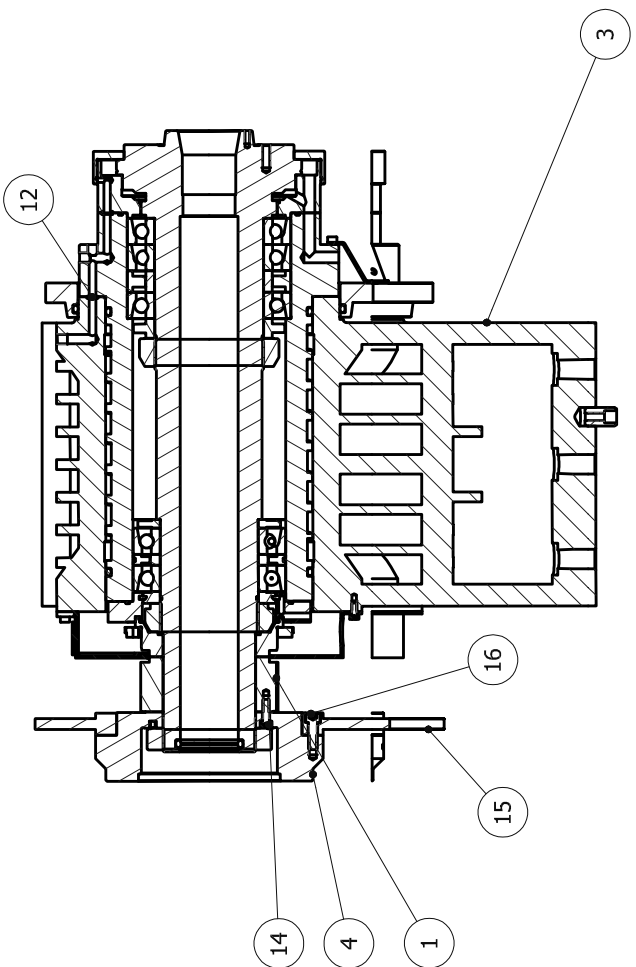
PRODUCT BOM MASTER AND SUB-ITEMS LIST
*****Master Item Part NO.: NL 000015726A
Description: CARTRIDGE
主軸套筒(標準型)

Item	Part NO.	Description	中文名稱	Specification	Qty	Unit
1.01	NL 000028305A	A2-5/16C SPINDLE	A2-5/16C主軸	D17XD87XL569.9	1.00	EA
2.00	NL 00002660101	BEARING, SPINDLE	主軸斜角滾珠軸承	[NSK] 100BNR10ETYNDDBLP4(3個1組)	1.00	EA
3.00	BL 000179919B	SPACE, LOCK NUT	間隔圈(20C)	D150XD116.6XL18	1.00	EA
4.00	BLA000049203B	LOCKNUT	鎖緊螺帽	[HSIANG KAJIM100X2(GRINDING)	1.00	EA
5.01	NL 001011530A	REAR COVER, SPINDLE	主軸後蓋	D224XD122XL31.35	1.00	EA
6.01	NL 000179920A	SPACE, REAR BEARING	後間隔圈	D113XD83XL15	1.00	EA
7.01	NL 000179921A	INTERNAL SPACE,	內間隔圈	D116XD100XL20	1.00	EA
8.00	BL 000179918B	INTERNAL SPACE,	內間隔圈(20C)	D116XD100XL20	1.00	EA
9.00	BL 000179917B	EXTERNAL SPACE,	外間隔圈(20C)	D150XD116.6XL20	1.00	EA
10.01	NL 001011590A	BEARING, RETAINER	主軸前蓋	D205XD125.2XL53.5	1.00	EA
11.01	NL 001011594A	COVER,SPINDLE	主軸防水蓋	D191XD124XL30	1.00	EA
12.01	NL 000179922A	EXTERNAL SPACE, 7018 BEARING	外間隔圈	D140XD106.6XL20	1.00	EA
13.00	BLA000049203A	LOCKNUT	鎖緊螺帽(MF-90-雙面研磨)	M90X2[SHIANG KAI]	1.00	EA
14.00	NL 00002660102	BEARING, SPINDLE	主軸斜角滾珠軸承	[NSK] 90BNR10ETYNDDBLP4A(2個1組)	1.00	EA
15.00	BL 000179921B	SPACE, REAR BEARING	後軸承間隔圈(20C)	D121.8XD90XL11	1.00	EA
16.00	NL 000405201A	HOUSING, SPINDLE	軸承套	D238XL356.3	1.00	ST
17.00	BL 00094310205	O-RING	O型油環	[JIS]G180	2.00	EA
18.00	NV 00094310512	O-RING	O型油環	P7	2.00	EA
19.00	NL 00094310105	O-RING	O型油環	OR040AS164	1.00	EA

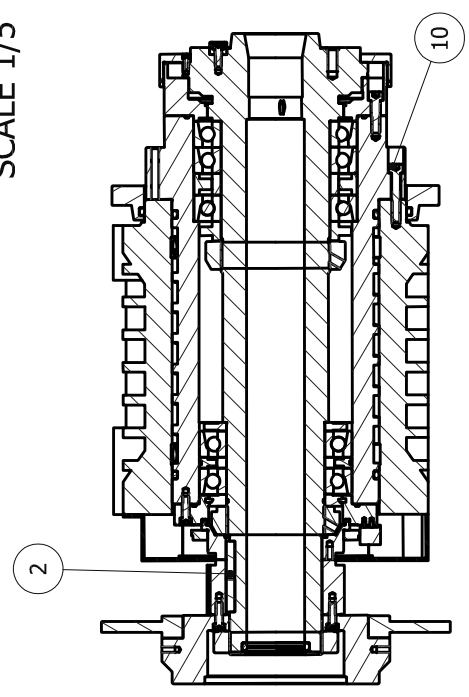
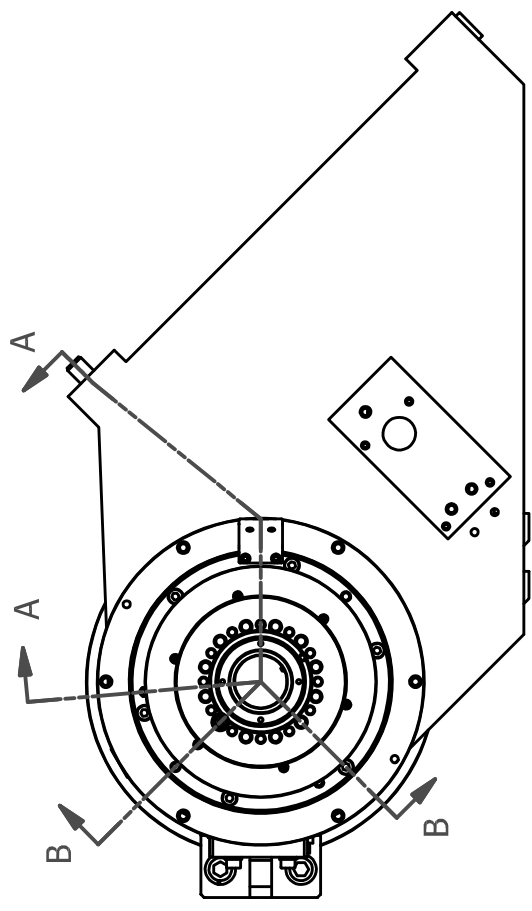
PRODUCT BOM MASTER AND SUB-ITEMS LIST

Item	Part NO.	Description	中文名稱	Specification	Qty	Unit
20.00	NL 00094310106	O-RING	O型油環	OR040AS160	1.00	EA
21.00	NL 00094310104	O-RING	O型油環	OR040AS162	1.00	EA
22.00	NV 00094310301	O-RING	O型油環	S85	1.00	EA
23.00	BL 000049201B	LOCKNUT	鎖緊螺帽(DM17M85)	M85X2[SHIANG KAI]	1.00	EA
24.00	BL 000691605A	BUMPER, 6"CHUCK	6"夾頭止動環	D15.88XD6.6XL11.4	1.00	EA
25.00	MS 0103820	SOCKET HEAD CAP SCREW	六角穴圓頭螺絲	M8XP1.25XL30	6.00	EA
26.00	MS 0103415	SOCKET HEAD CAP SCREW	六角穴圓頭螺絲	M4XP0.7XL10	6.00	EA
27.00	MS 0313617	SOCKET FLAT HEAD SCREW	六角穴平頭螺絲	M6XP1.0XL16	1.00	EA
28.00	MS 0103618	SOCKET HEAD CAP SCREW	六角穴圓頭螺絲	M6XP1.0XL20	1.00	EA
29.00	CS 0000284	SCREW, COLLET KEY	筒夾止動螺絲	D8XL78	1.00	EA

次序	設計變更記錄	日期	ECN.
A	新繪	2015/8/28	---



SECTION A-A
SCALE 1/5



SECTION B-B
SCALE 1/5

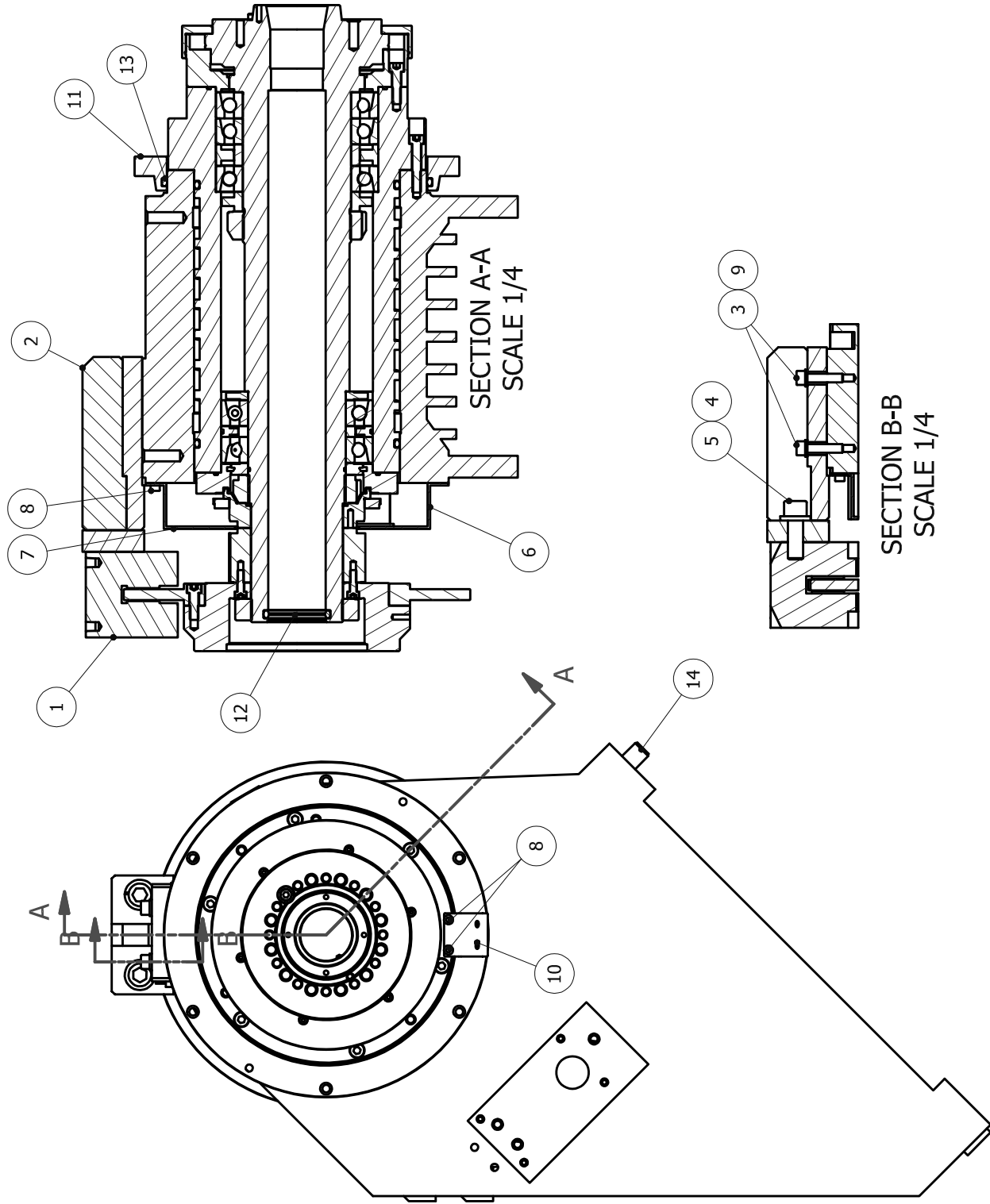
MODEL: TALENT 42	
PART NAME	PART NUMBER
CARTRIDGE (COMMON PARTS)	NL 000015728A
主軸套筒(共用件)	PAGE 1 OF 1
DATE 2015/8/28	REV. A
SCALE 1:5	

PRODUCT BOM MASTER AND SUB-ITEMS LIST

Master Item Part NO.: NL 000015728A

Description: CARTRIDGE (COMMON PARTS)
主軸套筒 (共用件)

Item Part NO.	Description	中文名稱	Specification	Qty	Unit
1.01	NL 000317740A PULLEY, SPINDLE	主軸齒帶輪	P50-S8M-50	1.00	EA
2.02	NL 00061150101 SUNK KEY	(雙圓頭鍵)平行鍵	W12*H8*L65	2.00	EA
3.04	NL 000026400A HEADSTOCK	主軸箱	L558XW289XH453.5	1.00	ST
4.01	NL 000317744A SEAT,ROTARY HYDRAULIC CYLINDER	主軸迴轉缸座	D765XD75XT41.5 (千島迴轉缸F1552S)	1.00	EA
10.00	MS 0103823 SOCKET HEAD CAP SCREW	六角穴圓頭螺絲	M8XP1.25XL45	6.00	EA
12.00	NV 00094310512 O-RING	O型油環	P7	2.00	EA
14.00	MS 0103618 SOCKET HEAD CAP SCREW	六角穴圓頭螺絲	M6XP1.0XL20	8.00	EA
15.00	NL 000807101A BRAKE DISK	煞車盤	D320XD170XL9.5	1.00	EA
16.00	MS 0103819 SOCKET HEAD CAP SCREW	六角穴圓頭螺絲	M8XP1.25XL25	6.00	EA



MODEL: TALENT 42

PART NAME
CARTRIDGE (BRAKE PARTS)
主軸套筒 (CS軸共用件)

PART NUMBER
NL 000015730A

PAGE
1 OF 1

DATE 2015/8/31

SCALE 1:1

REV. A

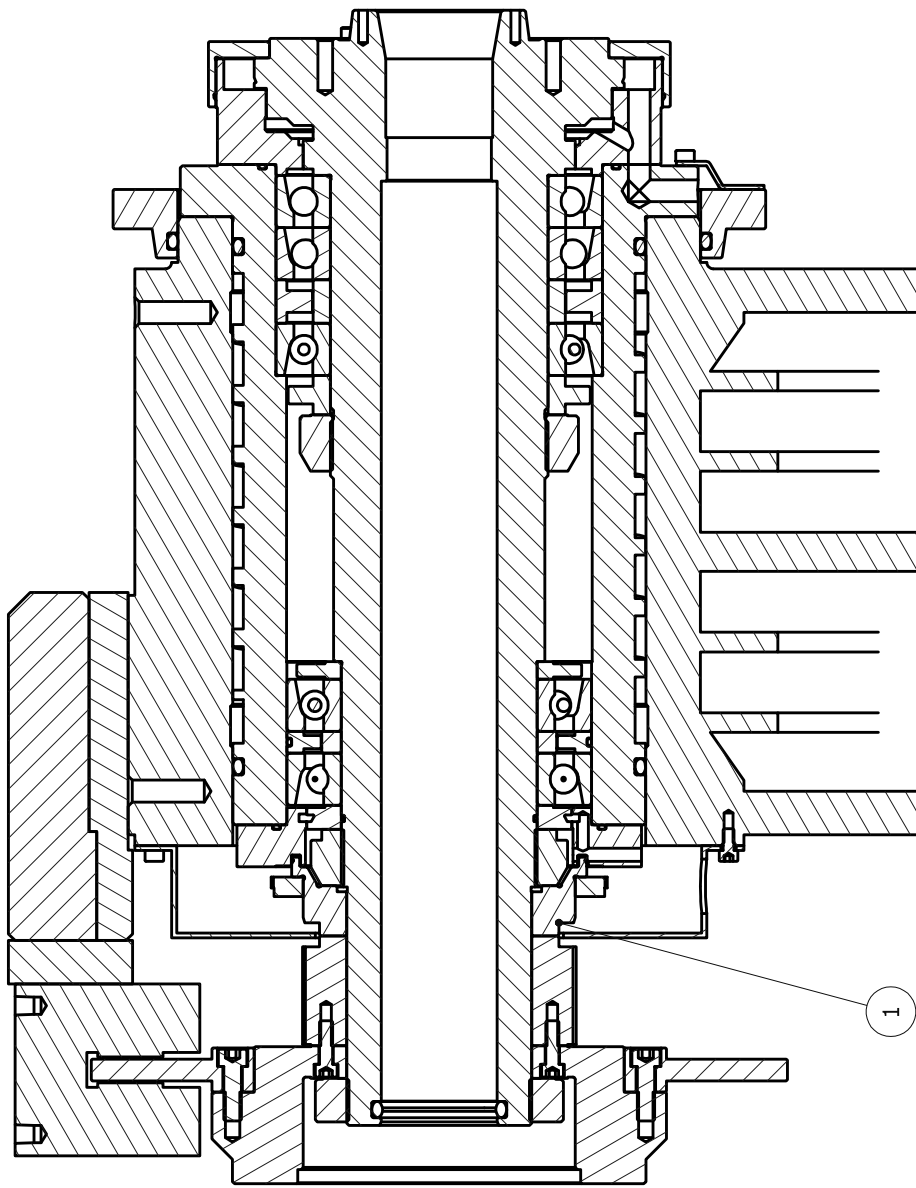
PRODUCT BOM MASTER AND SUB-ITEMS LIST

Master Item Part NO.: NL 000015730A

Description: CARTRIDGE (BRAKE PARTS)
主軸套筒 (煞車組件)

Item	Part NO.	Description	中文名稱	Specification	Qty	Unit
1.00	BL 001046201A	BRAKE	主軸碟式剎車	SUNTES PC-450Y-01	1.00	ST
2.00	NL 001066130A	SEAT, BRAKE	煞車固定座	L170XW105XH49	1.00	EA
3.00	MS 0103821	SOCKET HEAD CAP SCREW	六角穴圓頭螺絲	M8XP1.25XL35	4.00	EA
4.00	MW 0184410	SPRING WASHER	彈簧墊圈	M14(HEAT TREATMENT)	2.00	EA
5.00	MS 0104422	SOCKET HEAD CAP SCREW	六角穴圓頭螺絲	M14XP2.0XL40	2.00	EA
6.00	NL 000699078A	COVER	感應尺防塵下蓋	HT060DE7	1.00	EA
7.00	NL 000699079A	COVER	感應尺防塵上蓋	HT060DE8	1.00	EA
8.00	MS 0103515	SOCKET HEAD CAP SCREW	六角穴圓頭螺絲	M5XP0.8XL10	6.00	EA
9.00	MW 0183810	SPRING WASHER	彈簧墊圈	M8(HEAT TREATMENT)	4.00	EA
10.00	NL 000399027A	COVER	洩油孔護蓋	HT060DQ1	1.00	EA
11.00	NL 001011589A	COVER,SPINDLE	主軸防水蓋	D300XD240.5XL15	1.00	EA
12.00	BL 00094310122	P52 O-RING	O型油環	P52	1.00	EA
13.00	BL 00094310207	O-RING	O型油環	[JIS]G240	1.00	EA
14.00	BL 001023401A	ORIENTATION, HEADSTOCK	主軸箱定位銷	L29XD17	1.00	EA

次序	設計變更紀錄	日期	ECN.
A	新繪	2016/10/22	---



MODEL: TALENT 42/51

PART NAME
CARTRIDGE AXIS COMMON PARTS
主軸套筒(CS軸感應尺-FANUC)

PART NUMBER
NL 000015709A

PAGE
1 OF 1

REV.
A

DATE
2015/8/7

SCALE
1:1

PRODUCT BOM MASTER AND SUB-ITEMS LIST

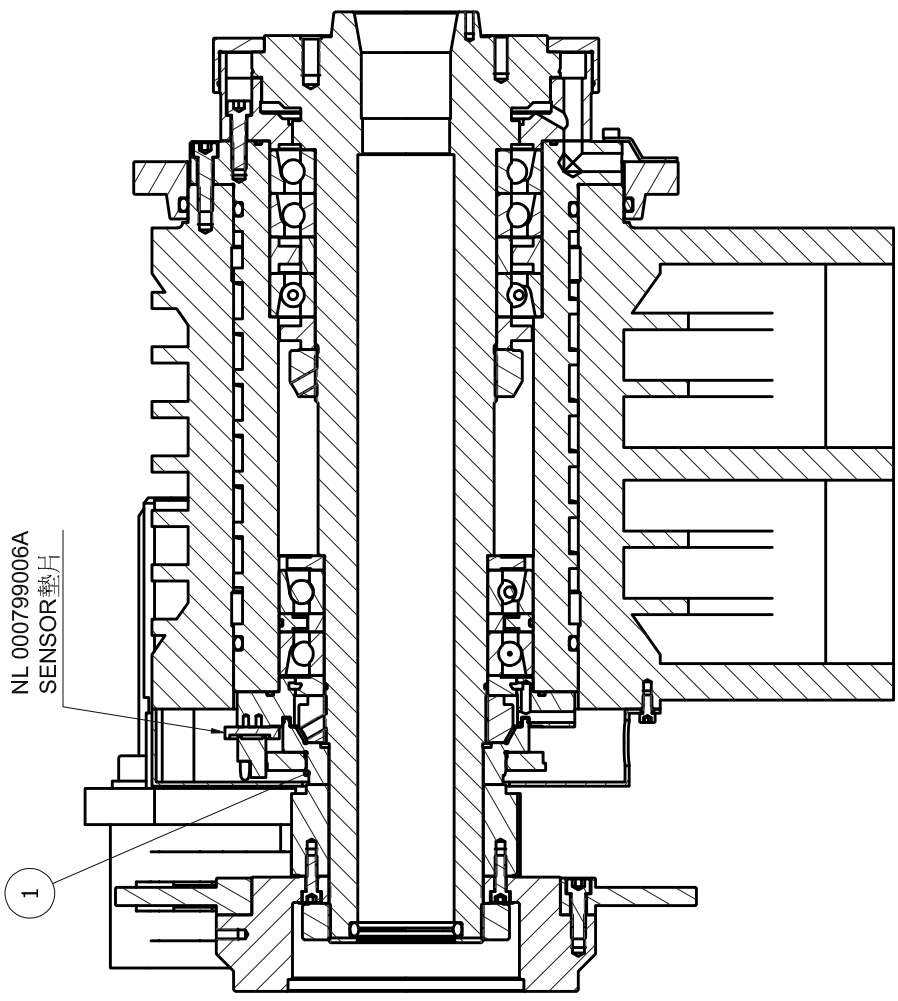
Master Item Part NO.: NL 000015709A

Description: CARTRIDGE (CS AXIS-FANUC)
主軸套筒 (CS軸感應尺-FANUC)

Item	Part NO.	Description	中文名稱	Specification	Qty	Unit
1.01	NL 000317750A	SEAT, ENCODER	感應尺座 (FANUC-CS)	D131XD75XL37.15	1.00	EA

次序	設計變更紀錄	日期	ECN.
A	新繪	2016/7/19	---

NL 000799006A
SENSOR 墊片



MODEL: TALENT 42/51	
PART NAME	PART NUMBER
CARTRIDGE (CS AXIS-SIEMENS)	NL 000015710A
主軸套筒 (CS軸感應尺-SIEMENS)	PAGE 1 OF 1
DATE 2016/7/19	REV. A
SCALE 1:1	

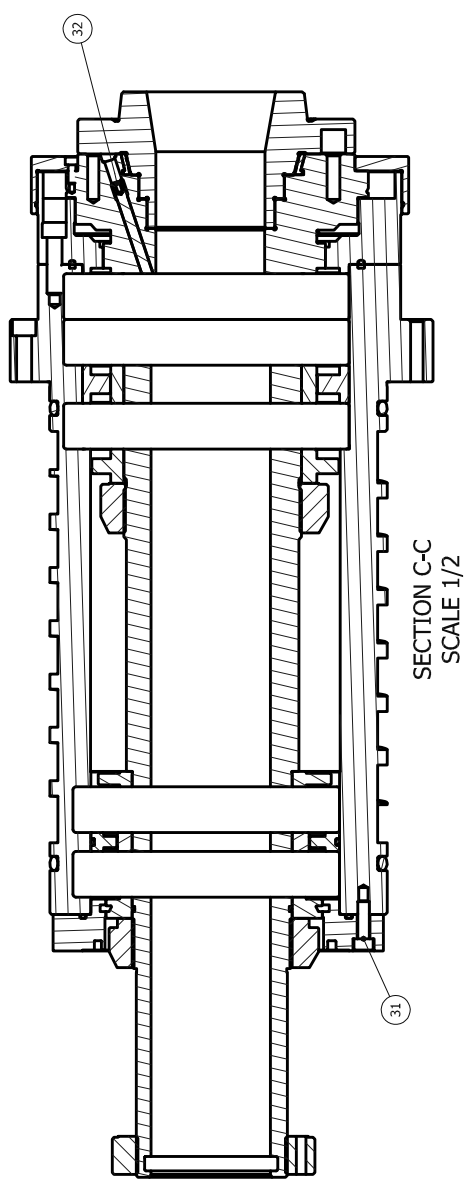
PRODUCT BOM MASTER AND SUB-ITEMS LIST

Master Item Part NO.: NL 000015710A

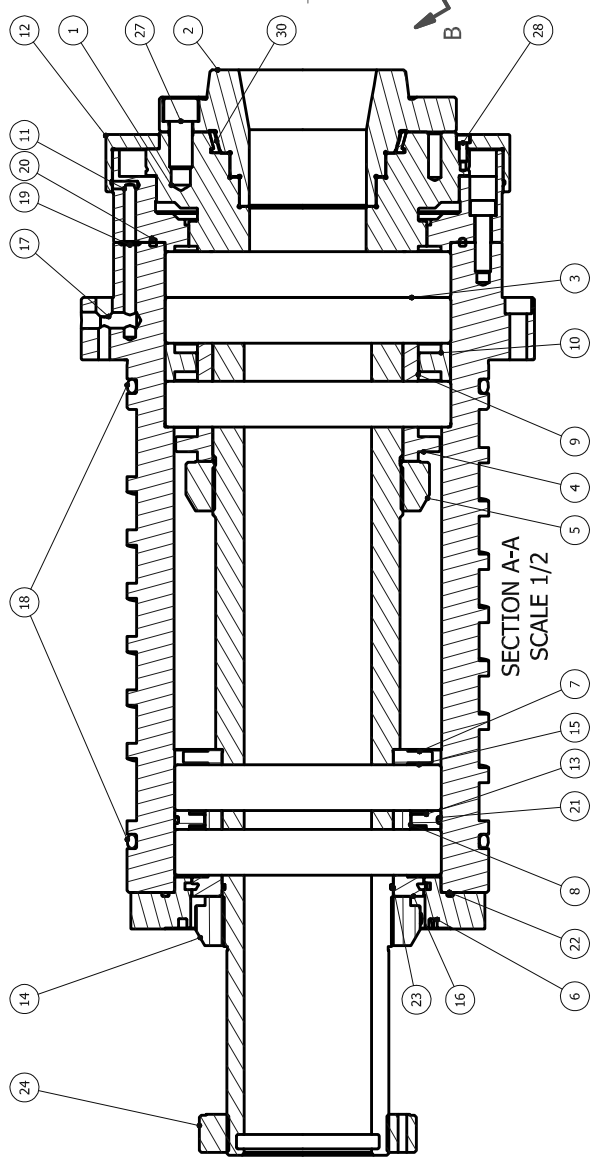
Description: CARTRIDGE (CS AXIS-SIEMENS)
主軸套筒 (CS軸感應尺-SIEMENS)

Item	Part NO.	Description	中文名稱	Specification	Qty	Unit
1.01	NL 000317755A	SEAT, ENCODER	感應尺座 (SIEMENS)	D135.7XD75XL37.15	1.00	EA

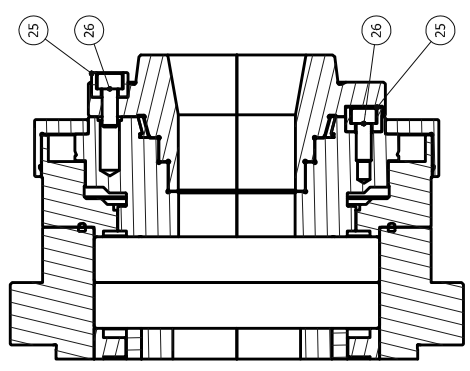
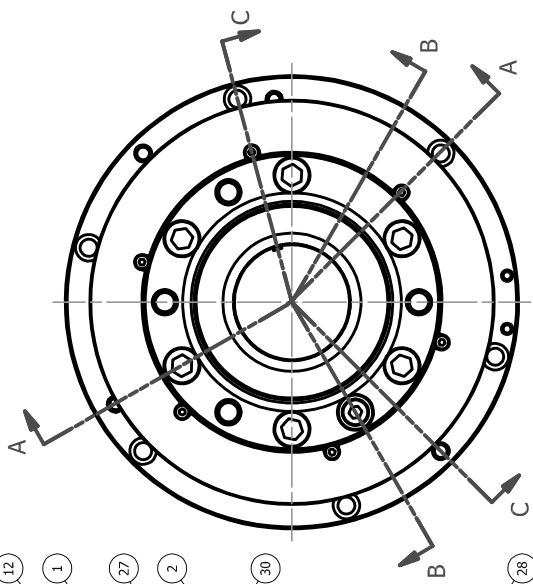
版次	設計變更紀錄	日期	ECN.
A	釋放	2015/12/12	000400
B	變更零件	2016/7/21	000402



SECTION C-C
SCALE 1/2



SECTION A-A
SCALE 1/2



SECTION B-B
SCALE 1/2

MODEL	TALENT 51
PART NAME	CARTRIDGE
PART NUMBER	NL 000015705B
DATE	2015/7/22
PAGE	1 OF 1
SCALE	1:3
REV.	B

PRODUCT BOM MASTER AND SUB-ITEMS LIST

Master Item Part NO.: NL 000015705B

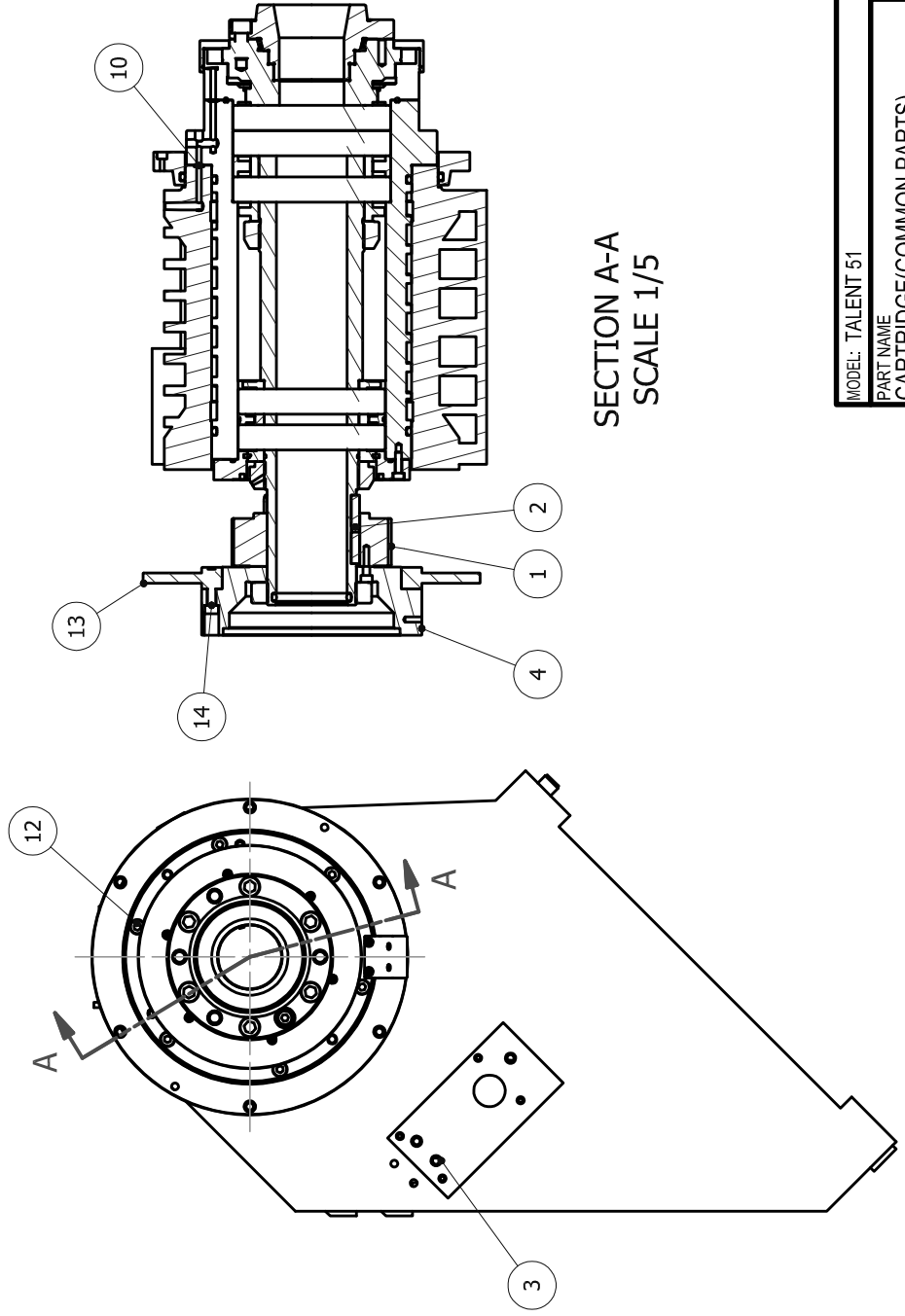
Description: CARTRIDGE
主軸套筒(標準型)

Item	Part NO.	Description	中文名稱	Specification	Qty	Unit
1.03	NLA000028301B	SPINDLE 20C(A2-6)	CFS主軸20C(A2-6)	D17XD87XL537.4	1.00	EA
2.02	NL 000028303B	CONNECT PLATE OF CFS SPINDLE	CFS主軸鼻端連接板20C(A2-6)	D156XL72	1.00	EA
3.00	NL 00002660101	BEARING, SPINDLE	主軸斜角滾珠軸承	[NSK] 100BNR10ETYNDBDLP4(3個1組)	1.00	EA
4.00	BL 000179919B	SPACE, LOCK NUT	間隔圈(20C)	D150XD116.6XL18	1.00	EA
5.00	BLA000049203B	LOCKNUT	鎖緊螺帽	[HSIANG KAI]M100X2(GRINDING)	1.00	EA
6.01	NL 001011530A	REAR COVER, SPINDLE	主軸後蓋	D224XD122XL31.35	1.00	EA
7.01	NL 000179920A	SPACE, REAR BEARING	後間隔圈	D113XD83XL15	1.00	EA
8.01	NL 000179921A	INTERNAL SPACE,	內間隔圈	D116XD100XL20	1.00	EA
9.00	BL 000179918B	INTERNAL SPACE,	內間隔圈(20C)	D116XD100XL20	1.00	EA
10.00	BL 000179917B	EXTERNAL SPACE,	外間隔圈(20C)	D150XD116.6XL20	1.00	EA
11.01	NL 001011590A	BEARING, RETAINER	主軸前蓋	D205XD125.2XL53.5	1.00	EA
12.01	NL 001011594A	COVER,SPINDLE	主軸防水蓋	D191XD124XL30	1.00	EA
13.01	NL 000179922A	EXTERNAL SPACE, 7018 BEARING	外間隔圈	D140XD106.6XL20	1.00	EA
14.00	BLA000049203A	LOCKNUT	鎖緊螺帽(MF-90-雙面研磨)	M90X2[SHIANG KAI]	1.00	EA
15.00	NL 00002660102	BEARING, SPINDLE	主軸斜角滾珠軸承	[NSK] 90BNR10ETYNDBLP4A(2個1組)	1.00	EA
16.00	BL 000179921B	SPACE, REAR BEARING	後軸承間隔圈(20C)	D121.8XD90XL11	1.00	EA
17.02	NL 000405201B	HOUSING, SPINDLE	軸承套	D228XL341.3	1.00	ST
18.00	BL 00094310205	O-RING	O型油環	[JIS]G180	2.00	EA
19.00	NV 00094310512	O-RING	O型油環	P7	2.00	EA

PRODUCT BOM MASTER AND SUB-ITEMS LIST

Item	Part NO.	Description	中文名稱	Specification	Qty	Unit
20.00	NL 00094310105	O-RING	O型油環	OR040AS164	1.00	EA
21.00	NL 00094310106	O-RING	O型油環	OR040AS160	1.00	EA
22.00	NL 00094310104	O-RING	O型油環	OR040AS162	1.00	EA
23.00	NV 00094310301	O-RING	O型油環	S85	1.00	EA
24.00	BL 000049201B	LOCKNUT	鎖緊螺帽(DM17M85)	M85X2[SHIANG KAI]	1.00	EA
25.00	BL 000691605B	BUMPER, 8"CHUCK	8"夾頭止動環	D19.05XD9XL12.9	2.00	EA
26.00	MS 0103818	SOCKET HEAD CAP SCREW	六角穴圓頭螺絲	M8XP1.25XL20	2.00	EA
27.00	MS 0104219	SOCKET HEAD CAP SCREW	六角穴圓頭螺絲	M12XP1.75XL25	6.00	EA
28.00	MS 0103415	SOCKET HEAD CAP SCREW	六角穴圓頭螺絲	M4XP0.7XL10	6.00	EA
29.00	MS 0103820	SOCKET HEAD CAP SCREW	六角穴圓頭螺絲	M8XP1.25XL30	6.00	EA
30.00	DQ 0011792CX	RING	CFS密封環	D103.5 X T9	1.00	EA
31.00	MS 0103618	SOCKET HEAD CAP SCREW	六角穴圓頭螺絲	M6XP1.0XL20	6.00	EA
32.00	DQ 0000284HBS	SCREW, COLLET KEY	筒夾止動螺絲	D8XL78	1.00	EA

次序	設計變更紀錄	日期	ECN.
A	釋放	2015/12/12	1004020



SECTION A-A
SCALE 1/5

MODEL: TALENT 51	PART NUMBER	NL 000015706B				
PART NAME	CARTRIDGE(COMMON PARTS)	PAGE	1 OF 1			
CFS主軸套筒(共用件)	DATE	2015/7/22	SCALE	1:5	REV.	A

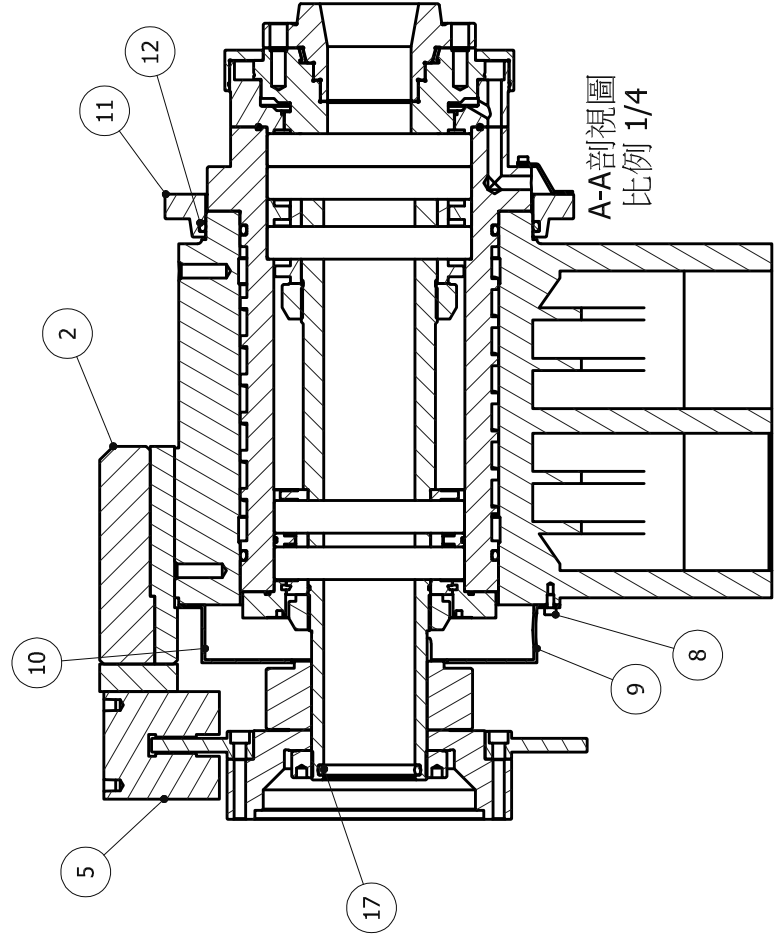
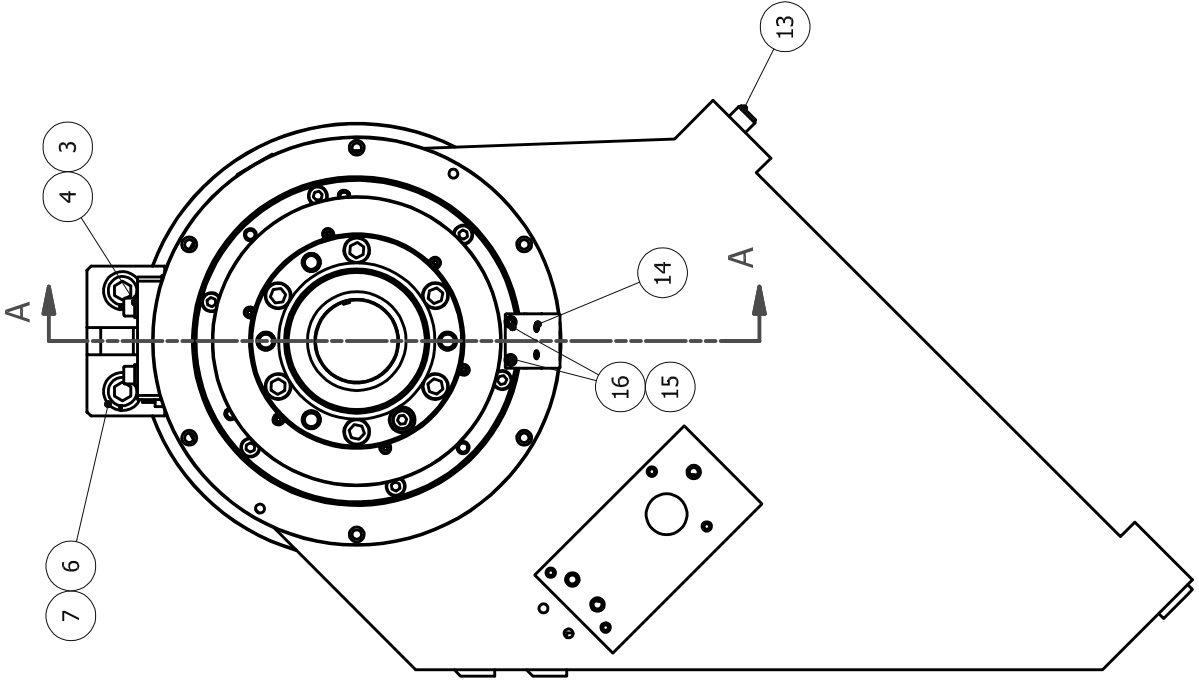
PRODUCT BOM MASTER AND SUB-ITEMS LIST

Master Item Part NO.: NL 000015706B

Description: CARTRIDGE (COMMON PARTS)
主軸套筒 (共用件)

Item Part NO.	Description	中文名稱	Specification	Qty	Unit
1.01	NL 000317704B PULLEY, MOTOR	主軸齒帶輪	D151.42XD85XL50.5	1.00	EA
2.02	NL 00061150101 SUNK KEY	(雙圓頭鍵)平行鍵	W12*H8*L65	2.00	EA
3.05	NL 000026400A HEADSTOCK	主軸箱	L558XW289XH453.5	1.00	ST
4.02	NL 000317742A SEAT,ROTARY HYDRAULIC CYLINDER	主軸迴轉缸座	D765XD75XT41.5 (千島迴轉缸P16666S)	1.00	EA
10.00	NV 00094310512 O-RING	O型油環	P7	2.00	EA
12.00	MS 0103823 SOCKET HEAD CAP SCREW	六角穴圓頭螺絲	M8XP1.25XL45	6.00	EA
13.00	NL 000807101A BRAKE DISK	煞車盤	D320XD170XL9.5	1.00	EA
14.00	MS 0103821 SOCKET HEAD CAP SCREW	六角穴圓頭螺絲	M8XP1.25XL35	6.00	EA

次序	設計變更紀錄	日期	ECN.
A	釋放	2015/12/12	1004020



MODEL: TALENT 51	PART NUMBER	REV.
PART NAME	NL 000015708B	A
CARTRIDGE(CS AXIS COMMON PARTS)	PAGE	1 OF 1
CFS主軸套筒 (CS軸共用件)	SCALE	1:4
DATE	2015/7/22	

PRODUCT BOM MASTER AND SUB-ITEMS LIST

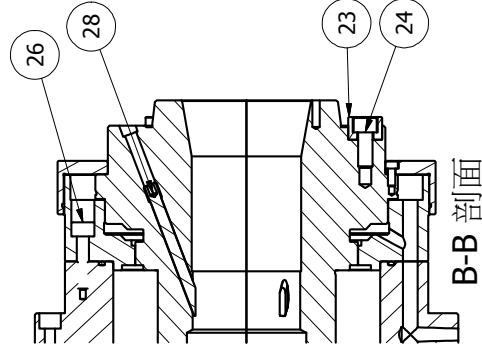
Master Item Part NO.: NL 000015708B

Description: CARTRIDGE (BRAKE PARTS)
CFS主軸套筒 (煞車組件)

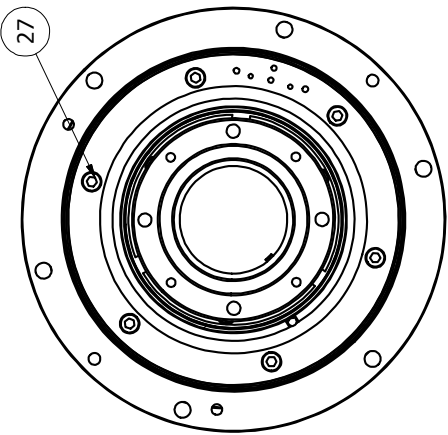
Item	Part NO.	Description	中文名稱	Specification	Qty	Unit
2.02	NL 001066130A	SEAT, BRAKE	煞車固定座	L170XW105XH49	1.00	EA
3.00	MS 0103821	SOCKET HEAD CAP SCREW	六角穴圓頭螺絲	M8XP1.25XL35	10.00	ST
4.00	MW 0183810	SPRING WASHER	彈簧墊圈	M8(HEAT TREATMENT)	4.00	ST
5.00	BL 001046201A	BRAKE	主軸碟式剎車	SUNTES PC-450Y-01	1.00	EA
6.00	MW 0184410	SPRING WASHER	彈簧墊圈	M14(HEAT TREATMENT)	2.00	EA
7.00	MS 0104422	SOCKET HEAD CAP SCREW	六角穴圓頭螺絲	M14XP2.0XL40	2.00	EA
8.00	MS 0103515	SOCKET HEAD CAP SCREW	六角穴圓頭螺絲	M5XP0.8XL10	4.00	EA
9.00	NL 000699078A	COVER	感應尺防塵下蓋	HT060DE7	1.00	EA
10.00	NL 000699079A	COVER	感應尺防塵上蓋	HT060DE8	1.00	EA
11.00	NL 001011589A	COVER,SPINDLE	主軸防水蓋	D300XD240.5XL15	1.00	EA
12.00	BL 00094310207	O-RING	O型油環	[JIS]G240	1.00	EA
13.00	BL 001023401A	ORIENTATION, HEADSTOCK	主軸箱定位銷	L29XD17	1.00	EA
14.00	NL 000299088B	COVER	洩油孔護蓋	HT060DM3	1.00	EA
15.00	MW 0183410NI	SPRING WASHER (NICKEL)	彈簧墊圈(鍍鎳)	M4(HEAT TREATMENT)	2.00	EA
16.00	MS 0103416NI	SOCKET HEAD CAP SCREW (NICKEL)	六角穴圓頭螺絲(鍍鎳)	M4XP0.7XL12	2.00	EA
17.00	NL 00094310100	O-RING	O型油環	[JIS]P65	1.00	EA

次序	設計變更紀錄	日期	ECN.
A		2017/9/12	1004564

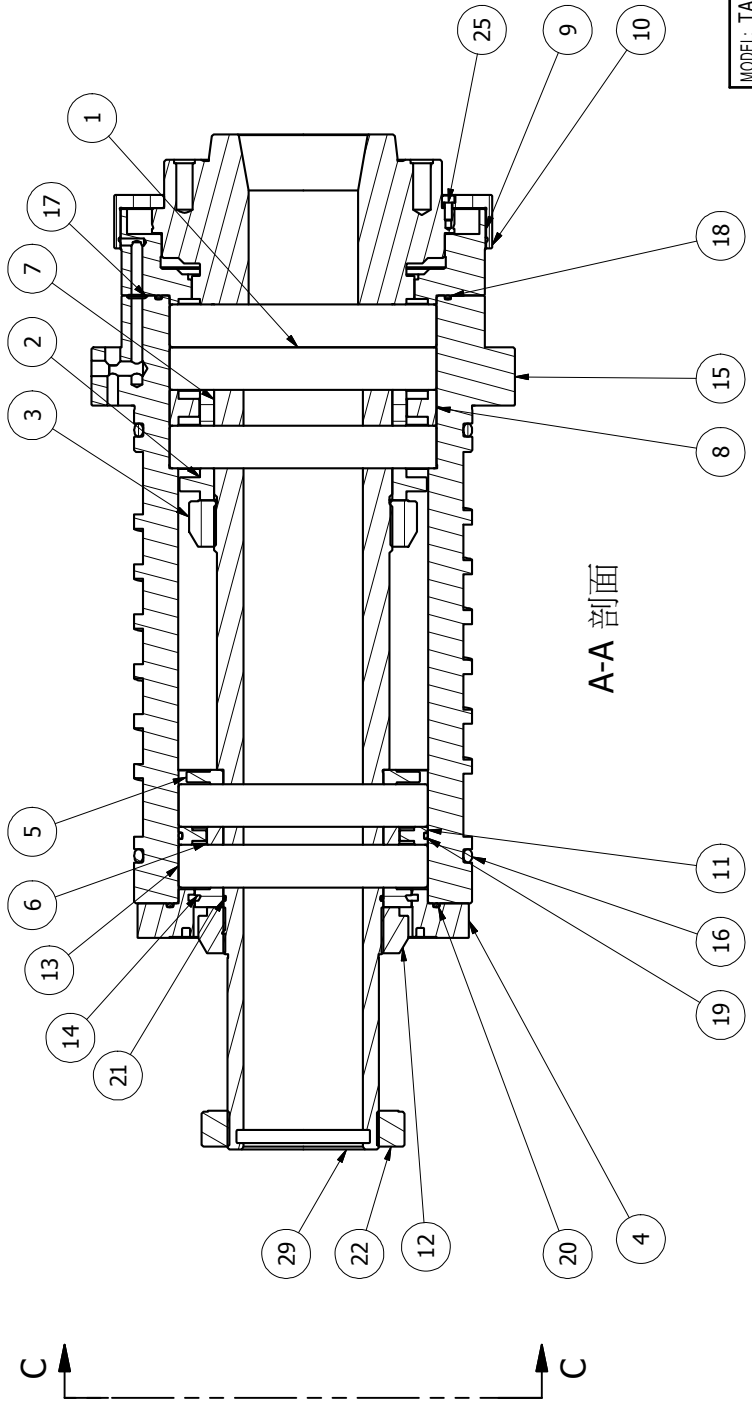
新增



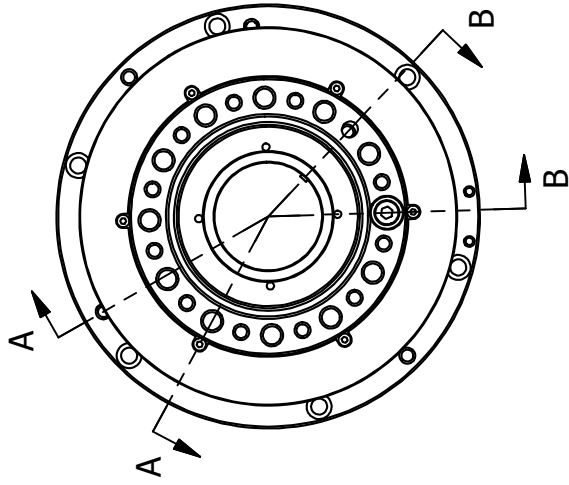
B-B 剖面



C 矢視圖



A-A 剖面



MODEL: TALENT 51

PART NAME
CARTRIDGE
主軸套筒(A2-6 20C)

PART NUMBER
NL 000015726B

PAGE
1 OF 1

REV.
A

SCALE
1 / 3

DATE
2017/9/13

PRODUCT BOM MASTER AND SUB-ITEMS LIST

Master Item Part NO.: NL 000015726B

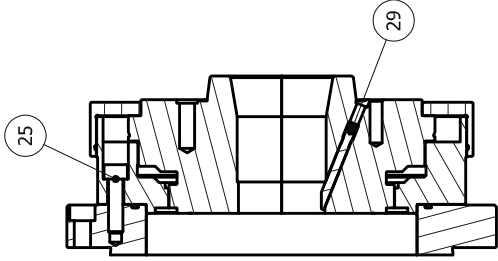
Description: CARTRIDGE (A2-6 20C)
主軸套筒(A2-6 20C)

Item Part NO.	Description	中文名稱	Specification	Qty	Unit
1.00	NL 00002660101 BEARING, SPINDLE	主軸斜角滾珠軸承	[NSK] 100BNR10ETYNDDBLP4(3個1組)	1.00	EA
2.00	BL 000179919B SPACE, LOCK NUT	間隔圈(20C)	D150XD116.6XL18	1.00	EA
3.00	BLA000049203B LOCKNUT	鎖緊螺帽	[HSIANG KAI]M100X2(GRINDING)	1.00	EA
4.00	NL 001011530A REAR COVER, SPINDLE	主軸後蓋	D186XD123XL27.3	1.00	EA
5.00	NL 000179920A SPACE, REAR BEARING	後間隔圈	D113XD83XL15	1.00	EA
6.00	NL 000179921A INTERNAL SPACE,	內間隔圈	D116XD100XL20	1.00	EA
7.00	BL 000179918B INTERNAL SPACE,	內間隔圈(20C)	D116XD100XL20	1.00	EA
8.00	BL 000179917B EXTERNAL SPACE,	外間隔圈(20C)	D150XD116.6XL20	1.00	EA
9.00	NL 001011590A BEARING, RETAINER	主軸前蓋	D205XD125.2XL53.5	1.00	EA
10.00	NL 001011594A COVER,SPINDLE	主軸防水蓋	D191XD124XL30	1.00	EA
11.00	NL 000179922A EXTERNAL SPACE, 7018 BEARING	外間隔圈	D140XD106.6XL20	1.00	EA
12.00	BLA000049203A LOCKNUT	鎖緊螺帽(MF-90-雙面研磨)	M90X2[SHIANG KAI]	1.00	EA
13.00	NL 00002660102 BEARING, SPINDLE	主軸斜角滾珠軸承	[NSK] 90BNR10ETYNDDBLP4A(2個1組)	1.00	EA
14.00	BL 000179921B SPACE, REAR BEARING	後軸承間隔圈(20C)	D121.8XD90XL11	1.00	EA
15.00	NL 000405201B HOUSING, SPINDLE	軸承套	D228XL341.3	1.00	ST
16.00	BL 00094310205 O-RING	O型油環	[JIS]G180	2.00	EA
17.00	NV 00094310512 O-RING	O型油環	P7	2.00	EA
18.00	NL 00094310105 O-RING	O型油環	OR040AS164	1.00	EA
19.00	NL 00094310106 O-RING	O型油環	OR040AS160	1.00	EA

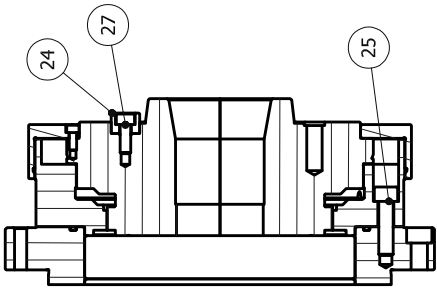
PRODUCT BOM MASTER AND SUB-ITEMS LIST

Item	Part NO.	Description	中文名稱	Specification	Qty	Unit
20.00	NL 00094310104	O-RING	O型油環	OR040AS162	1.00	EA
21.00	NV 00094310301	O-RING	O型油環	[NOK] S85	1.00	EA
22.00	BL 000049201B	LOCKNUT	鎖緊螺帽(DM17M85)	M85X2[SHIANG KAI]	1.00	EA
23.00	BL 000691605B	BUMPER, 8"CHUCK	8"夾頭止動環	D19.05XD9XL12.9	1.00	EA
24.00	MS 0103818	SOCKET HEAD CAP SCREW	六角穴圓頭螺絲	M8XP1.25XL20	1.00	EA
25.00	MS 0103415	SOCKET HEAD CAP SCREW	六角穴圓頭螺絲	M4XP0.7XL10	6.00	EA
26.00	MS 0103820	SOCKET HEAD CAP SCREW	六角穴圓頭螺絲	M8XP1.25XL30	6.00	EA
27.00	MS 0103618	SOCKET HEAD CAP SCREW	六角穴圓頭螺絲	M6XP1.0XL20	6.00	EA
28.00	DQ 0000284HBS	SCREW, COLLET KEY	筒夾止動螺絲	D8XL78	1.00	EA
29.01	NL 000028300B	A2-6/20C SPINDLE	A2-6/20C主軸	D170XD85XL569.9	1.00	EA

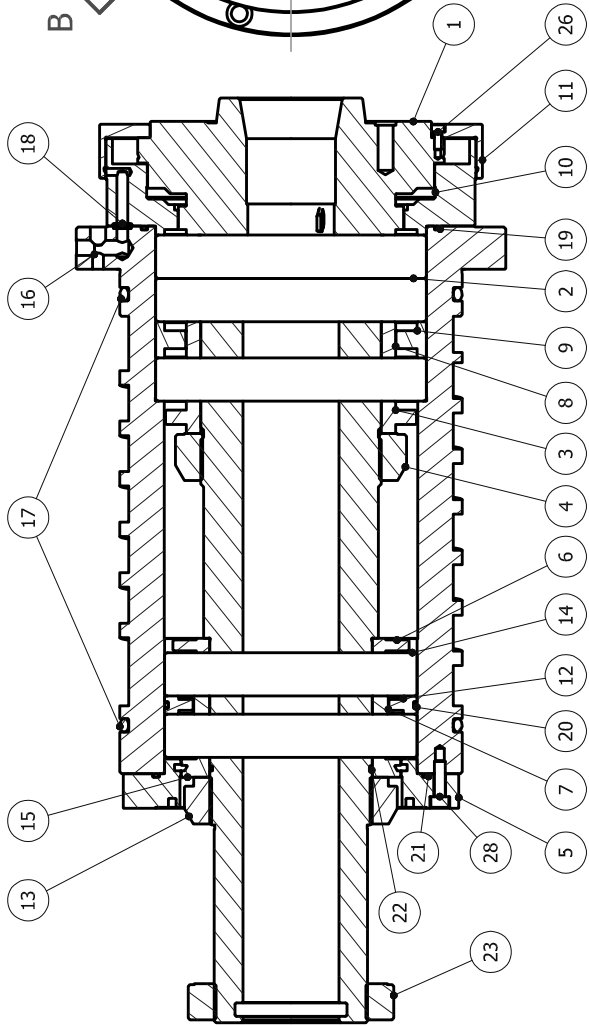
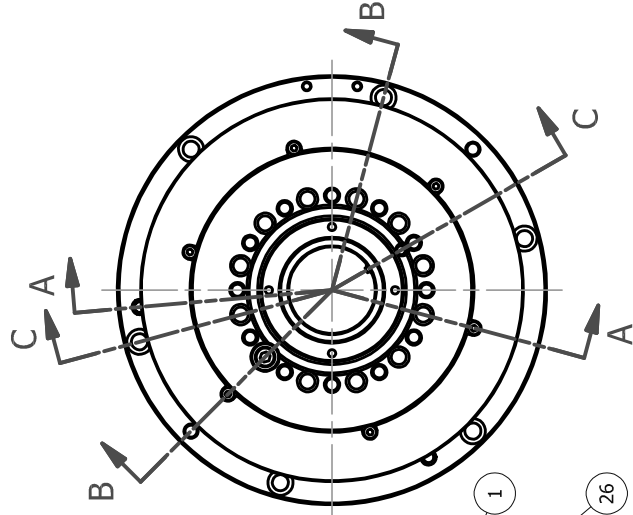
次序	設計變更紀錄	日期	ECN.
A	新繪	2015/8/31	--



SECTION C-C
SCALE 1/3



SECTION B-B
SCALE 1/3



SECTION A-A
SCALE 1/3

MODEL: TALENT 42
PART NAME CARTRIDGE 主軸套筒(標準型)
PART NUMBER NL 00015705A
DATE 2015/8/28
PAGE 1 OF 1
SCALE 1:1
REV. A

PRODUCT BOM MASTER AND SUB-ITEMS LIST

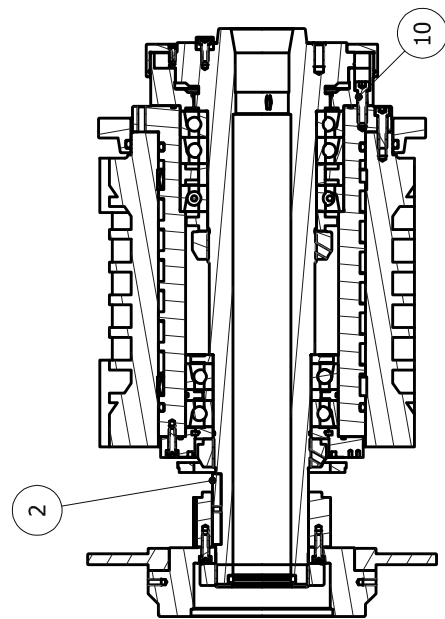
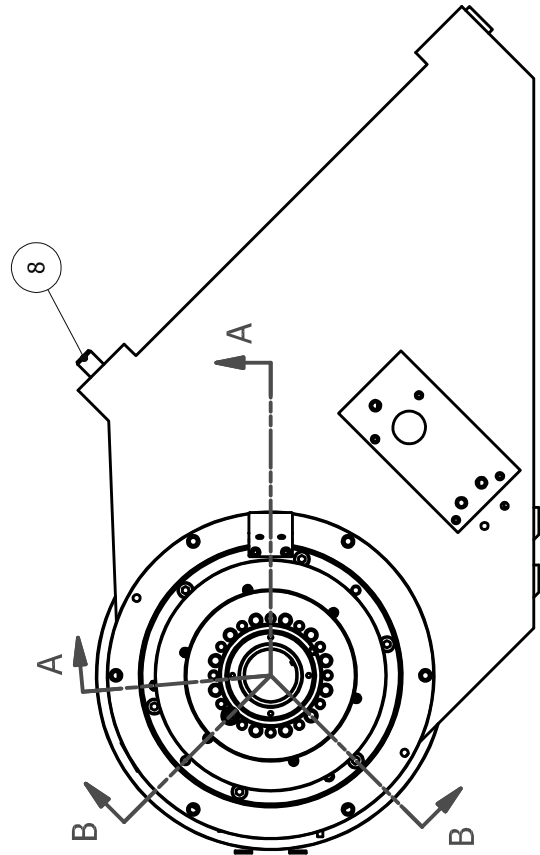
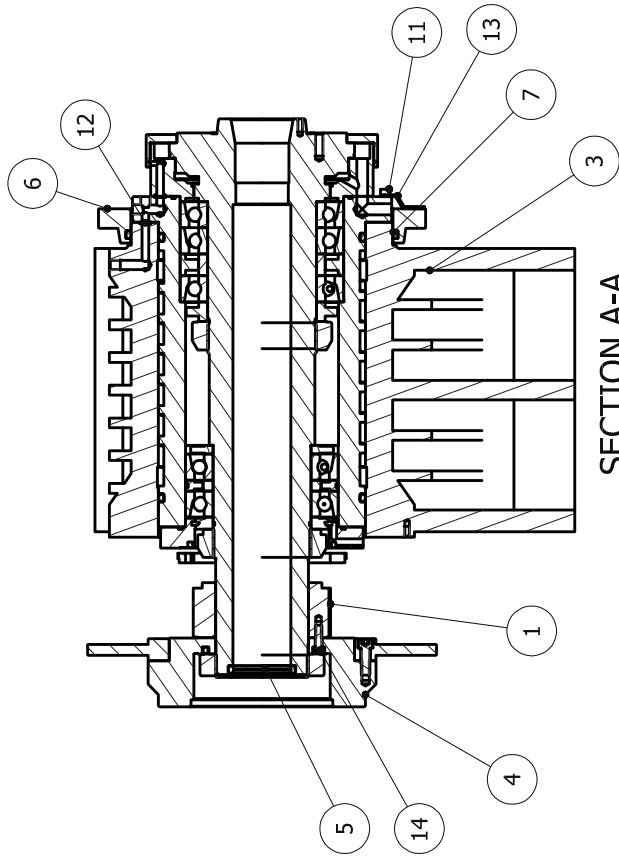
Master Item Part NO.: NL 000015705A

Description: CARTRIDGE
主軸套筒(標準型)

Item	Part NO.	Description	中文名稱	Specification	Qty	Unit
1.02	NL 000028300A	A2-5/16C SPINDLE	A2-5/16C主軸	D17XD87XL502	1.00	EA
2.00	NL 00002660101	BEARING, SPINDLE	主軸斜角滾珠軸承	[NSK] 100BNR10ETYNDBDLP4(3個1組)	1.00	EA
3.00	BL 000179919B	SPACE, LOCK NUT	間隔圈(20C)	D150XD116.6XL18	1.00	EA
4.00	BLA000049203B	LOCKNUT	鎖緊螺帽	[HSIANG KAJIM100X2(GRINDING)	1.00	EA
5.01	NL 001011530A	REAR COVER, SPINDLE	主軸後蓋	D224XD122XL31.35	1.00	EA
6.01	NL 000179920A	SPACE, REAR BEARING	後間隔圈	D113XD83XL15	1.00	EA
7.01	NL 000179921A	INTERNAL SPACE,	內間隔圈	D116XD100XL20	1.00	EA
8.00	BL 000179918B	INTERNAL SPACE,	內間隔圈(20C)	D116XD100XL20	1.00	EA
9.00	BL 000179917B	EXTERNAL SPACE,	外間隔圈(20C)	D150XD116.6XL20	1.00	EA
10.01	NL 001011590A	BEARING, RETAINER	主軸前蓋	D205XD125.2XL53.5	1.00	EA
11.01	NL 001011594A	COVER,SPINDLE	主軸防水蓋	D191XD124XL30	1.00	EA
12.01	NL 000179922A	EXTERNAL SPACE, 7018 BEARING	外間隔圈	D140XD106.6XL20	1.00	EA
13.00	BLA000049203A	LOCKNUT	鎖緊螺帽(MF-90-雙面研磨)	M90X2[SHIANG KAI]	1.00	EA
14.00	NL 00002660102	BEARING, SPINDLE	主軸斜角滾珠軸承	[NSK] 90BNR10ETYNDBLP4A(2個1組)	1.00	EA
15.00	BL 000179921B	SPACE, REAR BEARING	後軸承間隔圈(20C)	D121.8XD90XL11	1.00	EA
16.01	NL 000405200A	HOUSING, SPINDLE	軸承套	D200XL303	1.00	ST
17.00	BL 00094310205	O-RING	O型油環	[JIS]G180	2.00	EA
18.00	NV 00094310512	O-RING	O型油環	P7	2.00	EA
19.00	NL 00094310105	O-RING	O型油環	OR040AS164	1.00	EA

PRODUCT BOM MASTER AND SUB-ITEMS LIST

Item	Part NO.	Description	中文名稱	Specification	Qty	Unit
20.00	NL 00094310106	O-RING	O型油環	OR040AS160	1.00	EA
21.00	NL 00094310104	O-RING	O型油環	OR040AS162	1.00	EA
22.00	NV 00094310301	O-RING	O型油環	S85	1.00	EA
23.00	BL 000049201B	LOCKNUT	鎖緊螺帽(DM17M85)	M85X2[SHIANG KAI]	1.00	EA
24.00	BL 000691605A	BUMPER, 6"CHUCK	6"夾頭止動環	D15.88XD6.6XL11.4	1.00	EA
25.00	MS 0103820	SOCKET HEAD CAP SCREW	六角穴圓頭螺絲	M8XP1.25XL30	6.00	EA
26.00	MS 0103415	SOCKET HEAD CAP SCREW	六角穴圓頭螺絲	M4XP0.7XL10	6.00	EA
27.00	MS 0313617	SOCKET FLAT HEAD SCREW	六角穴平頭螺絲	M6XP1.0XL16	1.00	EA
28.00	MS 0103618	SOCKET HEAD CAP SCREW	六角穴圓頭螺絲	M6XP1.0XL20	1.00	EA
29.00	CS 0000284	SCREW, COLLET KEY	筒夾止動螺絲	D8XL78	1.00	EA



MODEL: TALENT 42

PART NAME CARTRIDGE (COMMON PARTS)

主軸套筒(共用件)

DATE 2015/8/28

SCALE 1:1

REV. A

PART NUMBER

NL 000015706A

PAGE

1 OF 1

REV.

A

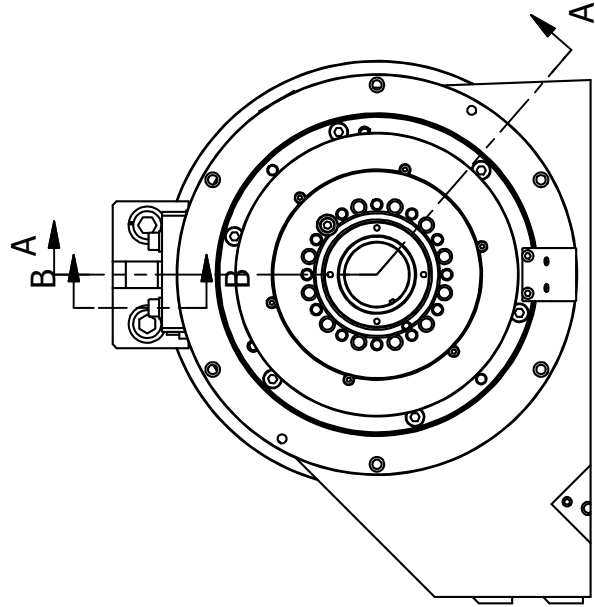
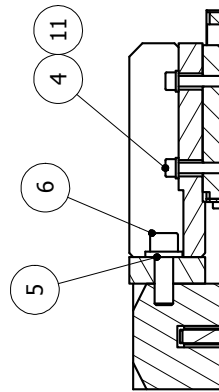
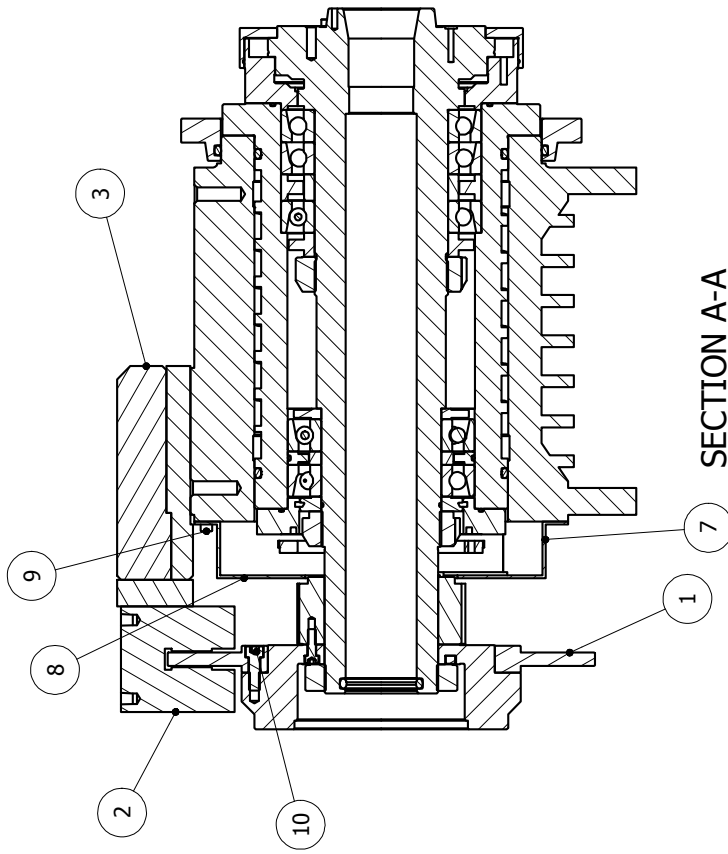
PRODUCT BOM MASTER AND SUB-ITEMS LIST

Master Item Part NO.: NL 000015706A

Description: CARTRIDGE (COMMON PARTS)
主軸套筒 (共用件)

Item	Part NO.	Description	中文名稱	Specification	Qty	Unit
1.01	NL 000317740A	PULLEY, SPINDLE	主軸齒帶輪	P50-S8M-50	1.00	EA
2.02	NL 00061150101	SUNK KEY	(雙圓頭鍵)平行鍵	W12*H8*L65	2.00	EA
3.05	NL 000026400A	HEADSTOCK	主軸箱	L558XW289XH453.5	1.00	ST
4.01	NL 000317744A	SEAT,ROTARY HYDRAULIC CYLINDER	主軸迴轉缸座	D765XD75XT41.5 (千島迴轉缸F1552S)	1.00	EA
5.00	BL 00094310122	P52 O-RING	O型油環	P52	1.00	EA
6.02	NL 001011589A	COVER,SPINDLE	主軸防水蓋	D300XD240.5XL15	1.00	EA
7.00	BL 00094310207	O-RING	O型油環	[JIS]G240	1.00	EA
8.00	BL 001023401A	ORIENTATION, HEADSTOCK	主軸箱定位銷	L29XD17	1.00	EA
10.00	MS 0103820	SOCKET HEAD CAP SCREW	六角六圓頭螺絲	M8XP1.25XL30	6.00	EA
11.00	MS 0103515	SOCKET HEAD CAP SCREW	六角六圓頭螺絲	M5XP0.8XL10	2.00	EA
12.00	NV 00094310512	O-RING	O型油環	P7	2.00	EA
13.00	NL 000199095A	COVER	洩油孔護蓋	HT060DF3	1.00	EA
14.00	MS 0103618	SOCKET HEAD CAP SCREW	六角六圓頭螺絲	M6XP1.0XL20	8.00	EA

次序	設計變更紀錄	日期	ECN.
A	新繪	2015/8/31	--



MODEL: TALENT 42		PART NUMBER	NL 000015708A
PART NAME		PAGE	1 OF 1
CARTRIDGE(CS AXIS COMMON PARTS)		SCALE	1 : 1
主軸套筒 (CS軸共用件)		REV.	A
DATE	2015/8/31		

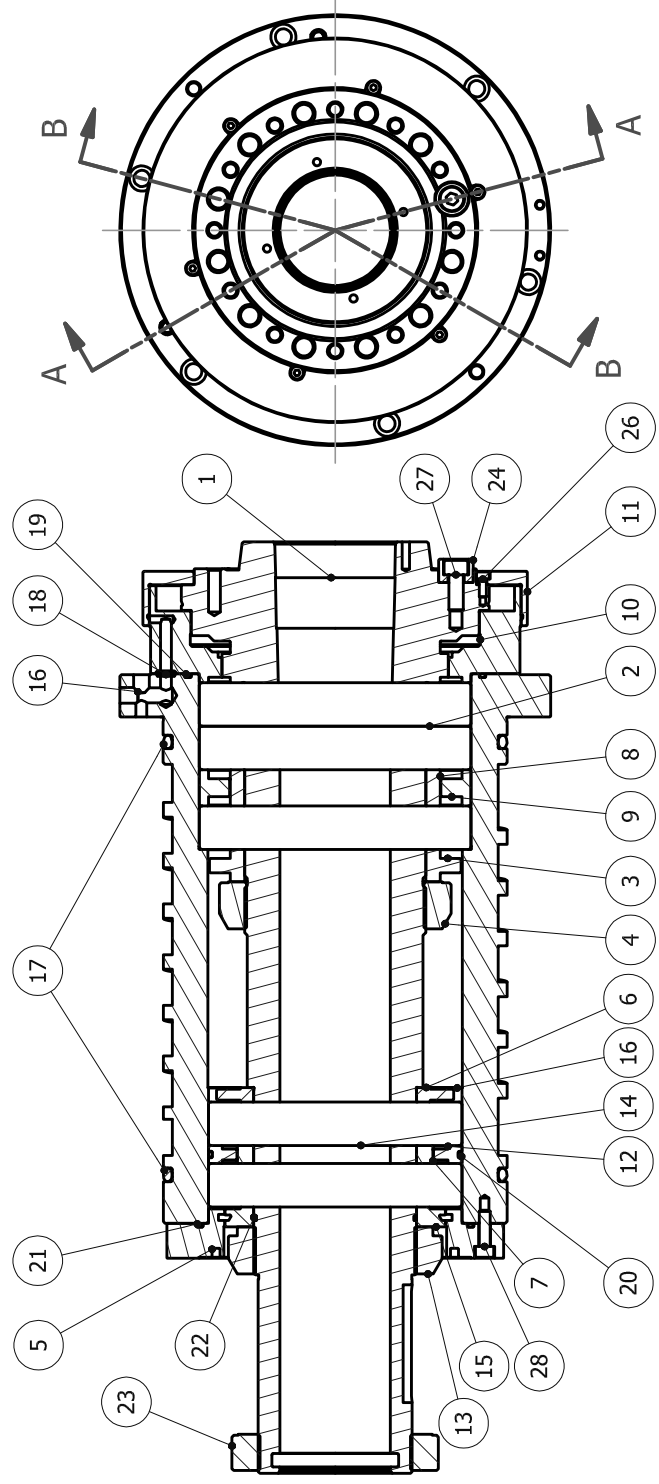
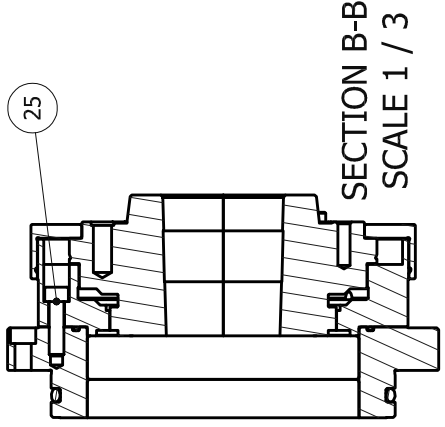
PRODUCT BOM MASTER AND SUB-ITEMS LIST

Master Item Part NO.: NL 000015708A

Description: CARTRIDGE (BRAKE PARTS)
主軸套筒 (煞車組件)

Item	Part NO.	Description	中文名稱	Specification	Qty	Unit
1.01	NL 000807101A	BRAKE DISK	煞車盤	D320XD170XL9.5	1.00	EA
2.00	BL 001046201A	BRAKE	主軸碟式剎車	SUNTES PC-450Y-01	1.00	EA
3.02	NL 001066130A	SEAT, BRAKE	煞車固定座	L170XW105XH49	1.00	EA
4.00	MS 0103821	SOCKET HEAD CAP SCREW	六角穴圓頭螺絲	M8XP1.25XL35	4.00	EA
5.00	MW 0184410	SPRING WASHER	彈簧墊圈	M14(HEAT TREATMENT)	2.00	EA
6.00	MS 0104422	SOCKET HEAD CAP SCREW	六角穴圓頭螺絲	M14XP2.0XL40	2.00	EA
7.00	NL 000699078A	COVER	感應尺防塵下蓋	HT060DE7	1.00	EA
8.00	NL 000699079A	COVER	感應尺防塵上蓋	HT060DE8	1.00	EA
9.00	MS 0103515	SOCKET HEAD CAP SCREW	六角穴圓頭螺絲	M5XP0.8XL10	4.00	EA
10.00	MS 0103819	SOCKET HEAD CAP SCREW	六角穴圓頭螺絲	M8XP1.25XL25	6.00	EA
11.00	MW 0183810	SPRING WASHER	彈簧墊圈	M8(HEAT TREATMENT)	4.00	EA

次序	設計變更紀錄	日期	ECN.
A	新繪	2017/4/5	...



SECTION A-A
SCALE 1 / 3

MODEL: TALENT 51	
PART NAME	PART NUMBER
8" SPINDLE	NL 000015716B
DATE	PAGE
2015/11/4	1 OF 1
SCALE	REV.
1 : 3	A

PRODUCT BOM MASTER AND SUB-ITEMS LIST

Master Item Part NO.: NL 000015716B

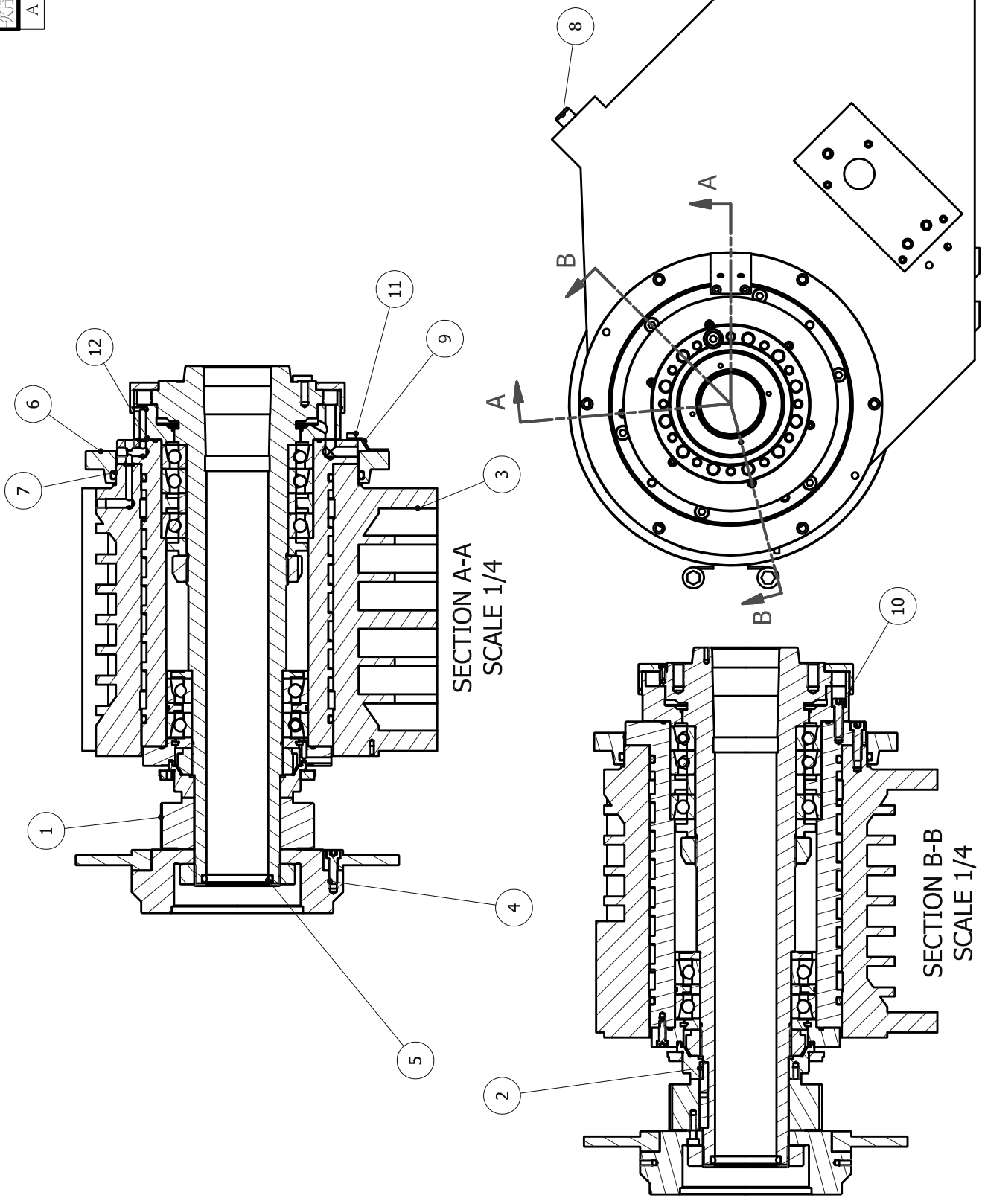
Description: 8" SPINDLE
8"主軸套筒(標準型)

Item	Part NO.	Description	中文名稱	Specification	Qty	Unit
1.01	NL 000028304B	A2-6(8")SPINDLE	A2-6主軸(8")	D170XD53.16XL514.4	1.00	EA
2.00	NL 00002660101	BEARING, SPINDLE	主軸斜角滾珠軸承	[NSK] 100BNR10ETYNDDBLP4(3個1組)	1.00	EA
3.00	BL 000179919B	SPACE, LOCK NUT	間隔圈(20C)	D150XD116.6XL18	1.00	EA
4.00	BLA000049203B	LOCKNUT	鎖緊螺帽	[HSIANG KAJIM100X2(GRINDING)	1.00	EA
5.01	NL 001011530A	REAR COVER, SPINDLE	主軸後蓋	D224XD122XL31.35	1.00	EA
6.01	NL 000179920A	SPACE, REAR BEARING	後間隔圈	D113XD83XL15	1.00	EA
7.01	NL 000179921A	INTERNAL SPACE,	內間隔圈	D116XD100XL20	1.00	EA
8.00	BL 000179918B	INTERNAL SPACE,	內間隔圈(20C)	D116XD100XL20	1.00	EA
9.00	BL 000179917B	EXTERNAL SPACE,	外間隔圈(20C)	D150XD116.6XL20	1.00	EA
10.01	NL 001011590A	BEARING, RETAINER	主軸前蓋	D205XD125.2XL53.5	1.00	EA
11.01	NL 001011594A	COVER,SPINDLE	主軸防水蓋	D191XD124XL30	1.00	EA
12.01	NL 000179922A	EXTERNAL SPACE, 7018 BEARING	外間隔圈	D140XD106.6XL20	1.00	EA
13.00	BLA000049203A	LOCKNUT	鎖緊螺帽(MF-90-雙面研磨)	M90X2[SHIANG KAJI]	1.00	EA
14.00	NL 00002660102	BEARING, SPINDLE	主軸斜角滾珠軸承	[NSK] 90BNR10ETYNDDBLP4A(2個1組)	1.00	EA
15.00	BL 000179921B	SPACE, REAR BEARING	後軸承間隔圈(20C)	D121.8XD90XL11	1.00	EA
16.01	NL 000405200A	HOUSING, SPINDLE	軸承套	D200XL303	1.00	ST
17.00	BL 00094310205	O-RING	O型油環	[JIS]G180	2.00	EA
18.00	NV 00094310512	O-RING	O型油環	P7	2.00	EA
19.00	NL 00094310105	O-RING	O型油環	OR040AS164	1.00	EA

PRODUCT BOM MASTER AND SUB-ITEMS LIST

Item	Part NO.	Description	中文名稱	Specification	Qty	Unit
20.00	NL 00094310106	O-RING	O型油環	OR040AS160	1.00	EA
21.00	NL 00094310104	O-RING	O型油環	OR040AS162	1.00	EA
22.00	NV 00094310301	O-RING	O型油環	S85	1.00	EA
23.00	BL 000049201B	LOCKNUT	鎖緊螺帽(DM17M85)	M85X2[SHIANG KAI]	1.00	EA
24.00	BL 000691605B	BUMPER, 8"CHUCK	8"夾頭止動環	D19.05XD9XL12.9	1.00	EA
25.00	MS 0103820	SOCKET HEAD CAP SCREW	六角穴圓頭螺絲	M8XP1.25XL30	6.00	EA
26.00	MS 0103415	SOCKET HEAD CAP SCREW	六角穴圓頭螺絲	M4XP0.7XL10	6.00	EA
27.00	MS 0103818	SOCKET HEAD CAP SCREW	六角穴圓頭螺絲	M8XP1.25XL20	1.00	EA
28.00	MS 0103618	SOCKET HEAD CAP SCREW	六角穴圓頭螺絲	M6XP1.0XL20	6.00	EA

次序	設計變更紀錄	日期	ECN.
A	新繪	2015/11/4	--



MODEL: TALENT 51	
PART NAME	PART NUMBER
8" SPINDLE(COMMON PARTS)	NL 000015717B
8"主軸套筒(共用件)	PAGE 1 OF 1
DATE 2015/11/4	REV. A
SCALE 1:5	

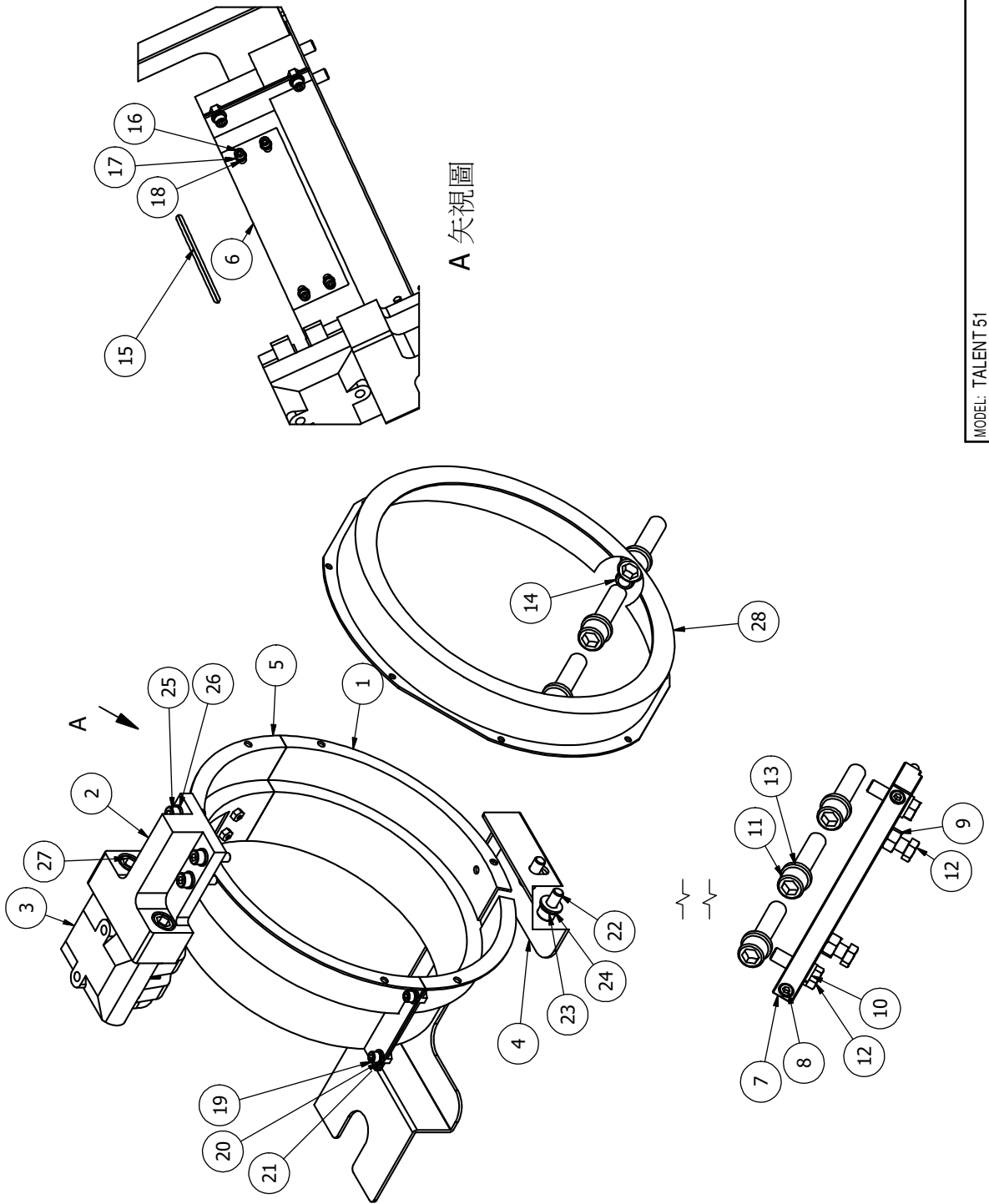
PRODUCT BOM MASTER AND SUB-ITEMS LIST

Master Item Part NO.: NL 000015717B

Description: 8" SPINDLE(COMMON PARTS)
8"主軸套筒 (共用件)

Item	Part NO.	Description	中文名稱	Specification	Qty	Unit
1.01	NL 000317704B	PULLEY, MOTOR	主軸齒帶輪	D151.42XD85XL50.5	1.00	EA
2.02	NL 00061150101	SUNK KEY	(雙圓頭鍵)平行鍵	W12*H8*L65	2.00	EA
3.05	NL 000026400A	HEADSTOCK	主軸箱	L558XW289XH453.5	1.00	ST
4.01	NL 000317744A	SEAT,ROTARY HYDRAULIC CYLINDER	主軸迴轉缸座	D765XD75XT41.5 (千島迴轉缸F1552S)	1.00	EA
5.00	BL 00094310113	P60 O-RING	O型油環	[NOK] P60 (VITON)	1.00	EA
6.02	NL 001011589A	COVER,SPINDLE	主軸防水蓋	D300XD240.5XL15	1.00	EA
7.00	BL 00094310207	O-RING	O型油環	[JIS]G240	1.00	EA
8.00	BL 001023401A	ORIENTATION, HEADSTOCK	主軸箱定位銷	L29XD17	1.00	EA
9.00	NL 000199095A	COVER	洩油孔護蓋	HT060DF3	1.00	EA
10.00	MS 0103820	SOCKET HEAD CAP SCREW	六角穴圓頭螺絲	M8XP1.25XL30	6.00	EA
11.00	MS 0103515	SOCKET HEAD CAP SCREW	六角穴圓頭螺絲	M5XP0.8XL10	2.00	EA
12.00	NV 00094310512	O-RING	O型油環	P7	2.00	EA

次序	設計變更紀錄	日期	ECN.
A	新增	2019/4/23	33304



A 矢視圖

MODEL: TALENT 51

PART NAME

8" SPINDLE

8" 主軸套筒 (煞車組件)

DATE 2018/12/18

SCALE 1 / 4

REV. A

PART NUMBER

NL 000015731B

PAGE

1 OF 1

REV.

A

PRODUCT BOM MASTER AND SUB-ITEMS LIST

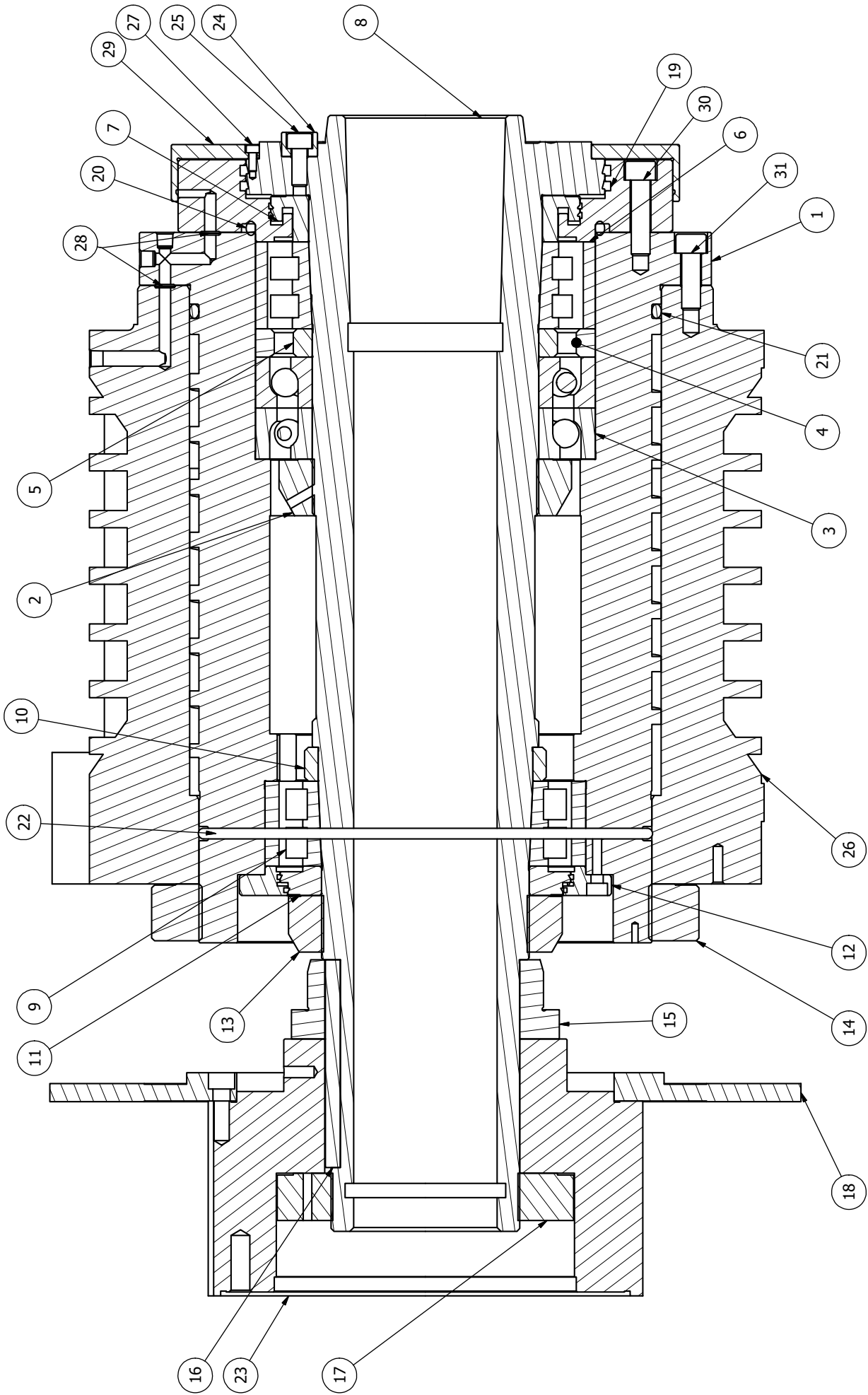
Master Item Part NO.: NL 000015731B

 Description: 8" SPINDLE
 8"主軸套筒 (煞車組件)

Item Part NO.	Description	中文名稱	Specification	Qty	Unit
1.00	BL 000499001C LOWER COVER, ENCODER(CS)	感應尺防塵下蓋(CS)	R160.5XR133XL80.5	1.00	ST
2.00	BL 001066137E SEAT, BRAKE	煞車固定座	L104XW46XH123	1.00	EA
3.00	BL 001046201A BRAKE	主軸碟式剎車	SUNTES PC-450Y-01	1.00	ST
4.00	BL 000499064D BRACKET, ROTARY CYLINDER	迴轉油壓缸固定塊	L368XW140XH65	1.00	ST
5.00	BLA000499002C LOWER COVER, ENCODER(CS)	感應尺防塵上蓋(CS)	R160.5XR133XL80.5	1.00	ST
6.00	BL 000399001E ADJUSTING COVER	調整蓋(動平衡用)	L150X50X2	1.00	ST
7.00	NL 000022100A SPACER, SPINDLE	固定塊	L265*W40*H20	1.00	EA
8.00	MS 0103823 SOCKET HEAD CAP SCREW	六角六圓頭螺絲	M8XP1.25XL45	2.00	EA
9.00	MN 0114210 HEXAGON NUT	六角螺帽	M12XP1.75	2.00	EA
10.00	MW 0184210 SPRING WASHER	彈簧墊圈	M12(HEAT TREATMENT)	2.00	EA
11.00	MS 0104628 SOCKET HD. CAP SCREW	六角六圓頭螺絲	M16XP2.0XL70	6.00	EA
12.00	MS 0154222 HEX HD., FULL THD	六角頭螺絲	M12XP1.75XL40, ST12.9	4.00	EA
13.00	NL 001108301A WASHER	墊圈(M16 WASHER)	D30XD16.5XT6(M16 WASHER)	6.00	EA
14.00	BL 001023401A ORIENTATION, HEADSTOCK	主軸箱定位銷	L29XD17	1.00	EA
15.00	BL 00094310114 P75 O-RING	O型油環	[NOK] P75 (VITON)	1.00	EA
16.00	MS 0103516 SOCKET HEAD CAP SCREW	六角六圓頭螺絲	M5XP0.8XL12	4.00	EA
17.00	MW 0183510 SPRING WASHER	彈簧墊圈	M5(HEAT TREATMENT)	4.00	EA
18.00	MW 0103510 FLAT WASHER	平墊圈	M5	4.00	EA
19.00	MS 0103616 SOCKET HEAD CAP SCREW	六角六圓頭螺絲	M6XP1.0XL12	4.00	EA

PRODUCT BOM MASTER AND SUB-ITEMS LIST

Item	Part NO.	Description	中文名稱	Specification	Qty	Unit
20.00	MW 0183610	SPRING WASHER	彈簧墊圈	M6(HEAT TREATMENT)	4.00	EA
21.00	MW 0113610NI	FLAT WASHER(NICKEL)	平墊圈(鍍鎳)	M6(D6XD13XT1)	4.00	EA
22.00	MS 0104018	SOCKET HEAD CAP SCREW	六角六圓頭螺絲	M10XP1.5XL20	2.00	EA
23.00	MW 0184010	SPRING WASHER	彈簧墊圈	M10(HEAT TREATMENT)	2.00	EA
24.00	MW 0104010	FLAT WASHER	平墊圈	M10-D21*T2	2.00	EA
25.00	MS 0103820	SOCKET HEAD CAP SCREW	六角六圓頭螺絲	M8XP1.25XL30	4.00	EA
26.00	MW 0183810	SPRING WASHER	彈簧墊圈	M8(HEAT TREATMENT)	4.00	EA
27.00	MS 0104423	SOCKET HEAD CAP SCREW	六角六圓頭螺絲	M14XP2.0XL45	2.00	EA
28.00	NL 000699027A	COVER	防水環	HLEB0300	1.00	EA



MODEL: TALENT 51	
PART NUMBER	NL 000015730B
PAGE	1 OF 1
DATE	2018/12/6
SCALE	1 / 2
REV.	A

PART NAME
8" SPINDLE
8" 主軸套筒(通孔66)

PRODUCT BOM MASTER AND SUB-ITEMS LIST

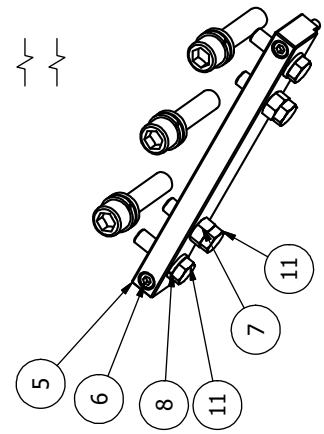
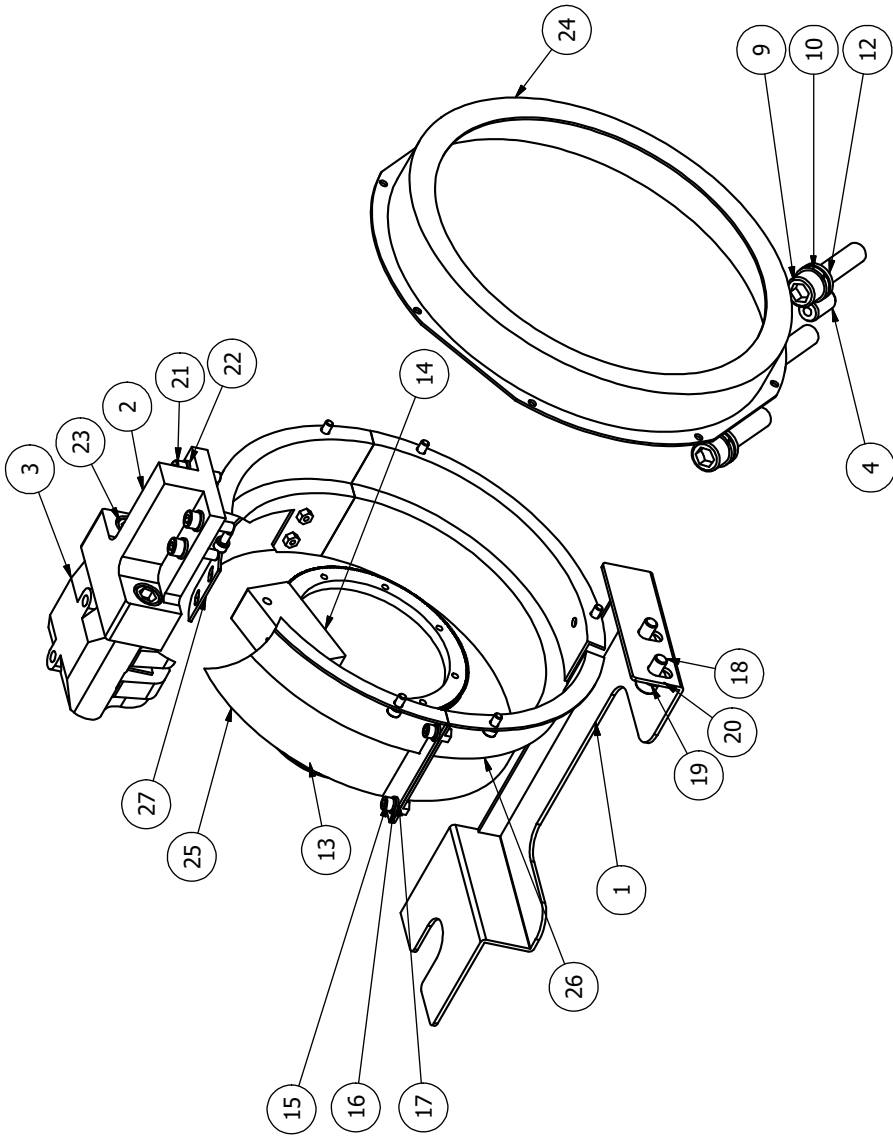
Master Item Part NO.: NL 000015730B
Description: 8" SPINDLE
8"主軸套筒(通孔66)

Item Part NO.	Description	中文名稱	Specification	Qty	Unit
1.01	NL 000405202B HOUSING, SPINDLE	軸承套	D303XD147XL376	1.00	EA
2.00	BL 000049203D LOCKNUT	鎖緊螺帽(MF-120-研磨)	M120X2[SHIANG KAI]	1.00	EA
3.00	BL 00002660113 BEARING, SPINDLE(TC65)	主軸斜角滾珠軸承(TC65)	[SKF] BTM120B/DBA	1.00	ST
4.00	BL 000179905E SPACER, SPINDLE	間隔圈	D180XD160XL15	1.00	EA
5.00	BL 000179904E SPACER, SPINDLE	間隔圈	D140XD120XL15	1.00	EA
6.00	BL 00002660210 BEARING, SPINDLE(TC78 REAR/TC6	主軸滾筒軸承(TC78後端/TC65前端)	[SKF] NN3024KTN9/SPW33	1.00	EA
7.00	BL 000179900E SPACER, SPINDLE	間隔圈	D163.5XD24.5XL123.83	1.00	EA
8.01	NL 000028309B ADHERE	主軸	D190XD76XL590.8	1.00	EA
9.00	BL 00002660213 BEARING, SPINDLE(TC65 REAR)	主軸滾筒軸承(TC65後端)	[SKF] NN3022KTN9/SPW33	1.00	EA
10.00	BL 000179903E SPACER, SPINDLE	間隔圈	D128XD113.75XL18	1.00	EA
11.00	BL 000179902E SPACER, SPINDLE	間隔圈	D154XD110XL15.5	1.00	EA
12.00	BL 001011505E REAR COVER, SPINDLE	主軸後蓋	D197XD1462XL15.5	1.00	EA
13.00	BL 000049201E LOCKNUT	鎖緊螺帽	M110XP2	1.00	EA
14.00	BL 000049201C LOCKNUT	鎖緊螺帽(MR-240-精車)	M240X3[SHIANG KAI]	1.00	EA
15.00	BL 000317719E SEAT,ENCODER	感應尺座	D:131XL:42	1.00	EA
16.00	BL 00061150105 SUNK KEY	(雙圓頭鍵)平行鍵	W12*H8*L110	1.00	EA
17.00	BL 000049202E LOCKNUT	鎖緊螺帽	M100XP2	1.00	EA
18.00	BL 000807103E BRAKE DISK	煞車盤	D398XH15.2	1.00	EA
19.01	NL 001011510B FRONT COVER, SPINDLE	主軸前蓋	D262XD141XL43.5	1.00	EA

PRODUCT BOM MASTER AND SUB-ITEMS LIST

Item	Part NO.	Description	中文名稱	Specification	Qty	Unit
20.00	BL 00094310205	O-RING	O型油環	[JIS]G180	1.00	EA
21.00	BL 00094310207	O-RING	O型油環	[JIS]G240	1.00	EA
22.00	BL 00094310206	O-RING	O型油環	[JIS]G230	1.00	EA
23.01	NL 000317703B	PULLEY,MOTOR	主軸齒帶輪	P94-S8M-80(40+40)	1.00	EA
24.00	BL 000691605B	BUMPER, 8"CHUCK	8"夾頭止動環	D19.05XD9XL12.9	1.00	EA
25.00	MS 0103818	SOCKET HEAD CAP SCREW	六角穴圓頭螺絲	M8XP1.25XL20	1.00	EA
26.01	NL 000026400B	HEADSTOCK	主軸箱	L746XW317XH488	1.00	ST
27.00	MS 0103415	SOCKET HEAD CAP SCREW	六角穴圓頭螺絲	M4XP0.7XL10	6.00	EA
28.00	NV 00094310512	O-RING	O型油環	P7	4.00	EA
29.01	NL 001011503B	COVER,SPINDLE	主軸防水蓋	D269.3XD176XL30	1.00	EA
30.00	MS 0104022	SOCKET HEAD CAP SCREW	六角穴圓頭螺絲	M10XP1.5XL40	8.00	EA
31.00	MS 0104020	SOCKET HEAD CAP SCREW	六角穴圓頭螺絲	M10XP1.5XL30	8.00	EA

次序	設計變更紀錄	日期	ECN.
A	新增	2019/4/17	33304



MODEL: TALENT 51	
PART NAME	PART NUMBER
10" SPINDLE	NL 000015733B
10" 主軸套筒 (煞車組件)	PAGE 1 OF 1
DATE 2018/12/7	SCALE 1 / 4
	REV. A

PRODUCT BOM MASTER AND SUB-ITEMS LIST

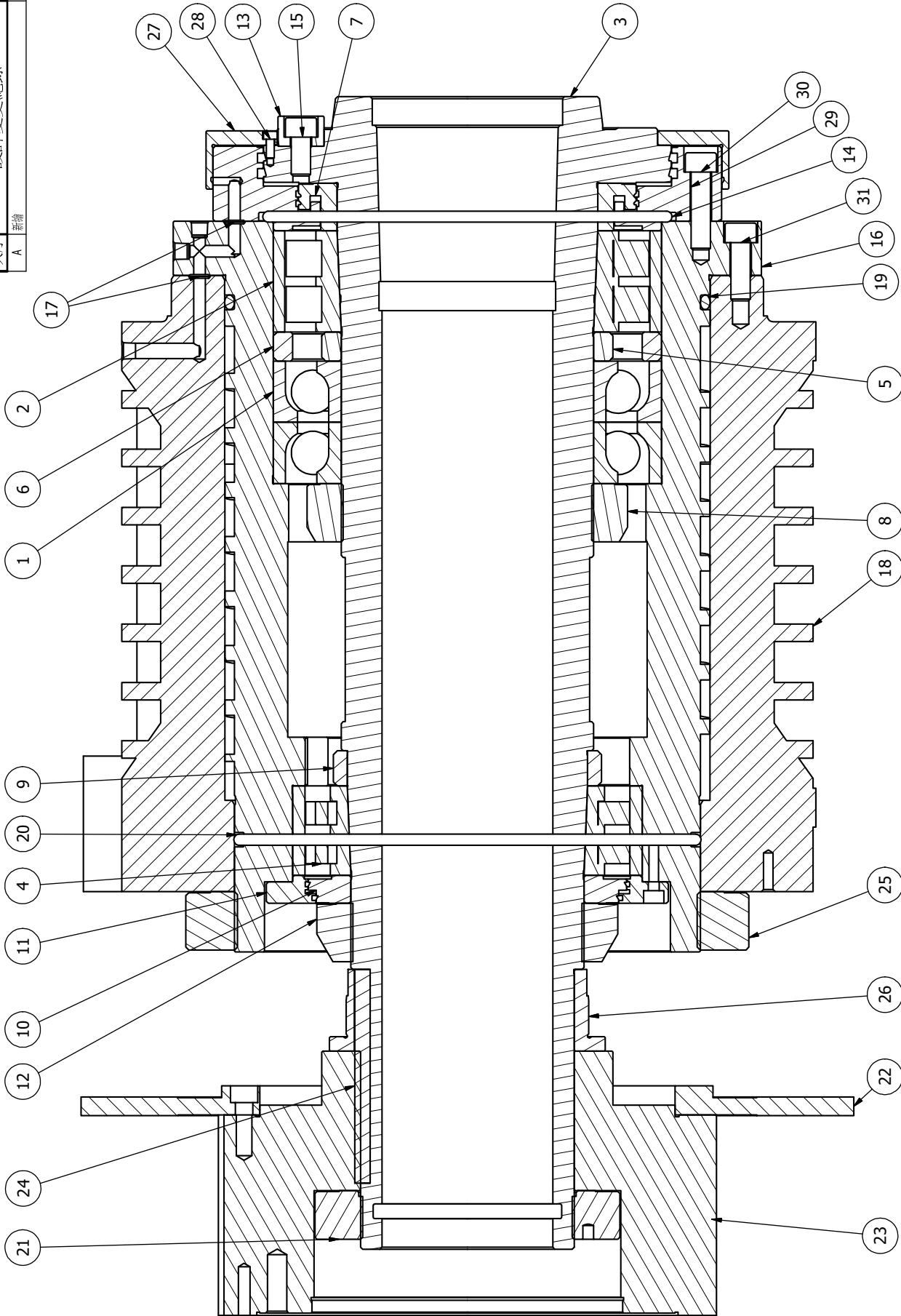
Master Item Part NO.: NL 000015733B

Description: 10" SPINDLE
10"主軸套筒(煞車組件)

Item Part NO.	Description	中文名稱	Specification	Qty	Unit
1.00	BL 000499064D BRACKET, ROTARY CYLINDER	迴轉油壓缸固定塊	L368XW140XH65	1.00	EA
2.00	BL 001066137E SEAT, BRAKE	煞車固定座	L104XW46XH123	1.00	EA
3.00	BL 001046201A BRAKE	主軸碟式剎車	SUNTES PC-450Y-01	1.00	EA
4.00	BL 001023401A ORIENTATION, HEADSTOCK	主軸箱定位銷	L29XD17	1.00	EA
5.00	NL 000022100A SPACER, SPINDLE	固定塊	L265*W40*H20	1.00	EA
6.00	MS 0103823 SOCKET HEAD CAP SCREW	六角六圓頭螺絲	M8XP1.25XL45	2.00	EA
7.00	MN 0114210 HEXAGON NUT	六角螺帽	M12XP1.75	2.00	EA
8.00	MW 0184210 SPRING WASHER	彈簧墊圈	M12(HEAT TREATMENT)	2.00	EA
9.00	MS 0104628 SOCKET HD. CAP SCREW	六角六圓頭螺絲	M16XP2.0XL70	6.00	EA
10.00	MW 0184610 SPRING WASHER	彈簧墊圈	M16(HEAT TREATMENT)	6.00	EA
11.00	MS 0154222 HEX HD., FULL THD	六角頭螺絲	M12XP1.75XL40, ST12.9	4.00	EA
12.00	NL 001108301A WASHER	墊圈(M16 WASHER)	D30XD16.5XT6(M16 WASHER)	6.00	EA
13.00	BL 00094310111 P87 O-RING	O型油環	P87(VITON)	1.00	EA
14.00	BL 001011525D PLATE, ENCODER	感應尺固定板(FANUC 0I-TF)	L80XW42XH30.3	1.00	EA
15.00	MS 0103616 SOCKET HEAD CAP SCREW	六角六圓頭螺絲	M6XP1.0XL12	10.00	EA
16.00	MW 0183610 SPRING WASHER	彈簧墊圈	M6(HEAT TREATMENT)	10.00	EA
17.00	MW 0113610NI FLAT WASHER(NICKEL)	平墊圈(鍍鎳)	M6(D6XD13XT1)	4.00	EA
18.00	MS 0104018 SOCKET HEAD CAP SCREW	六角六圓頭螺絲	M10XP1.5XL20	2.00	EA
19.00	MW 0184010 SPRING WASHER	彈簧墊圈	M10(HEAT TREATMENT)	2.00	EA

PRODUCT BOM MASTER AND SUB-ITEMS LIST

Item	Part NO.	Description	中文名稱	Specification	Qty	Unit
20.00	MW 0104010	FLAT WASHER	平墊圈	M10-D21*T2	2.00	EA
21.00	MS 0103820	SOCKET HEAD CAP SCREW	六角六圓頭螺絲	M8XP1.25XL30	4.00	EA
22.00	MW 0183810	SPRING WASHER	彈簧墊圈	M8(HEAT TREATMENT)	4.00	EA
23.00	MS 0104423	SOCKET HEAD CAP SCREW	六角六圓頭螺絲	M14XP2.0XL45	2.00	EA
24.00	NL 000699027A	COVER	防水環	HLEB0300	1.00	EA
25.01	BL 000499001C	LOWER COVER, ENCODER(CS)	感應尺防塵下蓋(CS)	R160.5XR133XL80.5	1.00	EA
26.01	BLA000499002C	LOWER COVER, ENCODER(CS)	感應尺防塵上蓋(CS)	R160.5XR133XL80.5	1.00	ST
27.00	BL 000399001E	ADJUSTING COVER	調整蓋(動平衡用)	L150X50X2	1.00	ST



MODEL: TALENT 51	PART NUMBER	NL 000015732B
PART NAME	PAGE	1 OF 1
10" SPINDLE	SCALE	1 / 2
10" 主軸套筒(FANUC-通孔78)	REV.	A
DATE		
2018/11/28		

PRODUCT BOM MASTER AND SUB-ITEMS LIST

Master Item Part NO.: NL 000015732B

Description: 10" SPINDLE

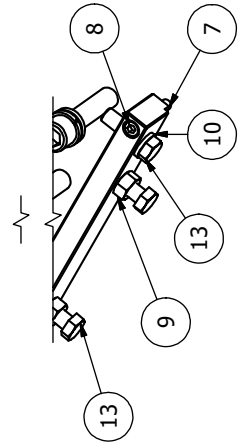
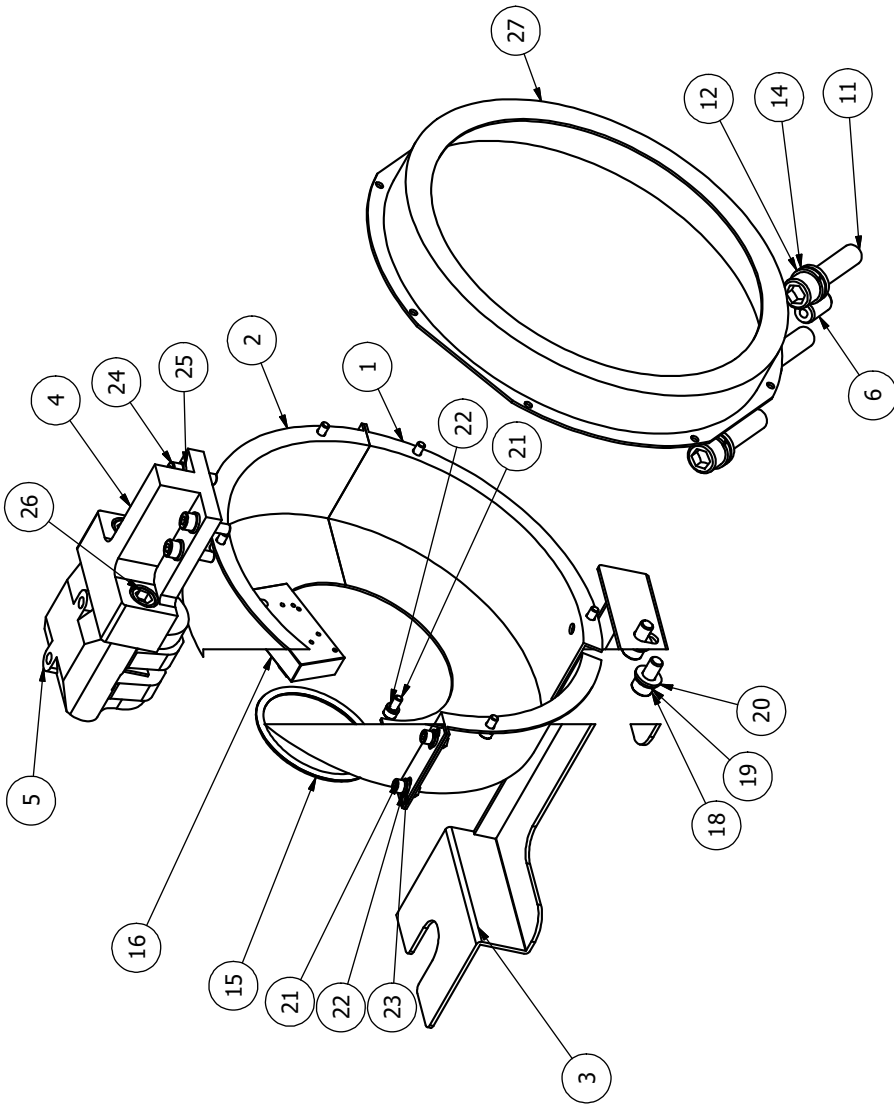
10"主軸套筒(FANUC-通孔78)

Item Part NO.	Description	中文名稱	Specification	Qty	Unit
1.00	BL 00002660112 BEARING, SPINDLE(TC78)	主軸斜角滾珠軸承(TC78)	[SKF] BTM130B/DBA	1.00	ST
2.00	BL 00002660208 BEARING, SPINDLE(TC78 FRONT)	主軸滾筒軸承(TC78前端)	[SKF] NN3026KTN9/SPW33	1.00	EA
3.00	NL 000028310B SPINDLE(A2-8)	主軸(A2-8)	D210XD88XL593	1.00	EA
4.00	BL 00002660210 BEARING, SPINDLE(TC78 REAR/TC6	主軸滾筒軸承(TC78後端/TC65前端)	[SKF] NN3024KTN9/SPW33	1.00	EA
5.00	BL 000179904D SPACER, SPINDLE	間隔圈	D150XD130XL15	1.00	EA
6.00	BL 000179905D SPACER, SPINDLE	間隔圈	D200XD180XL15	1.00	EA
7.00	BL 000179900D SPACER, SPINDLE	間隔圈	D174XD134.33XL24.5	1.00	EA
8.00	BL 000049202D LOCKNUT	鎖緊螺帽(MF-130-研磨)	M130X2[SHIANG KAI]	1.00	EA
9.00	BL 000179903D SPACER, SPINDLE	間隔圈	D138XD123.83XL18	1.00	EA
10.00	BLA000179902D SPACER, SPINDLE	間隔圈	D156.9XD120XL14.5	1.00	EA
11.00	BLB001011505D REAR COVER, SPINDLE	主軸後蓋	D207XD157XL14.5	1.00	EA
12.00	BL 000049203D LOCKNUT	鎖緊螺帽(MF-120-研磨)	M120X2[SHIANG KAI]	1.00	EA
13.00	BL 000691605D BUMPER, A2-8 CHUCK	A2-8夾頭止動環	D23.8XD11XL15.5	1.00	EA
14.00	BL 00094310208 [JIS]G200	O型油環	[JIS]G200	1.00	EA
15.00	MS 0104018 SOCKET HEAD CAP SCREW	六角六圓頭螺絲	M10XP1.5XL20	1.00	EA
16.00	NL 000405203B HOUSING, SPINDLE	軸承套	D303XD167XL376	1.00	EA
17.00	NV 00094310512 O-RING	O型油環	P7	4.00	EA
18.00	NL 000026400B HEADSTOCK	主軸箱	L746XW317XH488	1.00	ST
19.00	BL 00094310207 O-RING	O型油環	[JIS]G240	1.00	EA

PRODUCT BOM MASTER AND SUB-ITEMS LIST

Item	Part NO.	Description	中文名稱	Specification	Qty	Unit
20.00	BL 00094310206	O-RING	O型油環	[JIS]G230	1.00	EA
21.00	BL 000049204D	LOCKNUT	鎖緊螺帽(MF-110)	M110X2[SHIANG KAI]	1.00	EA
22.00	BL 000807103D	BRAKE DISK	煞車盤	D398XH15.2	1.00	EA
23.00	NL 000317705B	PULLEY,MOTOR	主軸齒帶輪	P102-S8M-80(40+40)	1.00	EA
24.00	BL 00061150105	SUNK KEY	(雙圓頭鍵)平行鍵	W12*H8*L110	1.00	EA
25.00	BL 000049201C	LOCKNUT	鎖緊螺帽(MR-240-精車)	M240X3[SHIANG KAI]	1.00	EA
26.00	BL 000317719D	SEAT, ENCODER	感應尺座	D142XD110XL42	1.00	EA
27.00	NL 001011504B	COVER,SPINDLE	主軸防水蓋	D269.3XD196XL30	1.00	EA
28.00	MS 0103415	SOCKET HEAD CAP SCREW	六角六圓頭螺絲	M4XP0.7XL10	6.00	EA
29.00	NL 001011511B	FRONT COVER, SPINDLE	主軸前蓋	D262XD151.5XL43.5	1.00	EA
30.00	MS 0104022	SOCKET HEAD CAP SCREW	六角六圓頭螺絲	M10XP1.5XL40	8.00	EA
31.00	MS 0104020	SOCKET HEAD CAP SCREW	六角六圓頭螺絲	M10XP1.5XL30	8.00	EA

新增



MODEL: TALENT 51	
PART NAME	PART NUMBER
10" SPINDLE	NL 000015735B
10" 主軸套筒 (煞車組件)	PAGE 1 OF 1
DATE 2018/12/18	SCALE 1 / 4
	REV. A

PRODUCT BOM MASTER AND SUB-ITEMS LIST

Master Item Part NO.: NL 000015735B

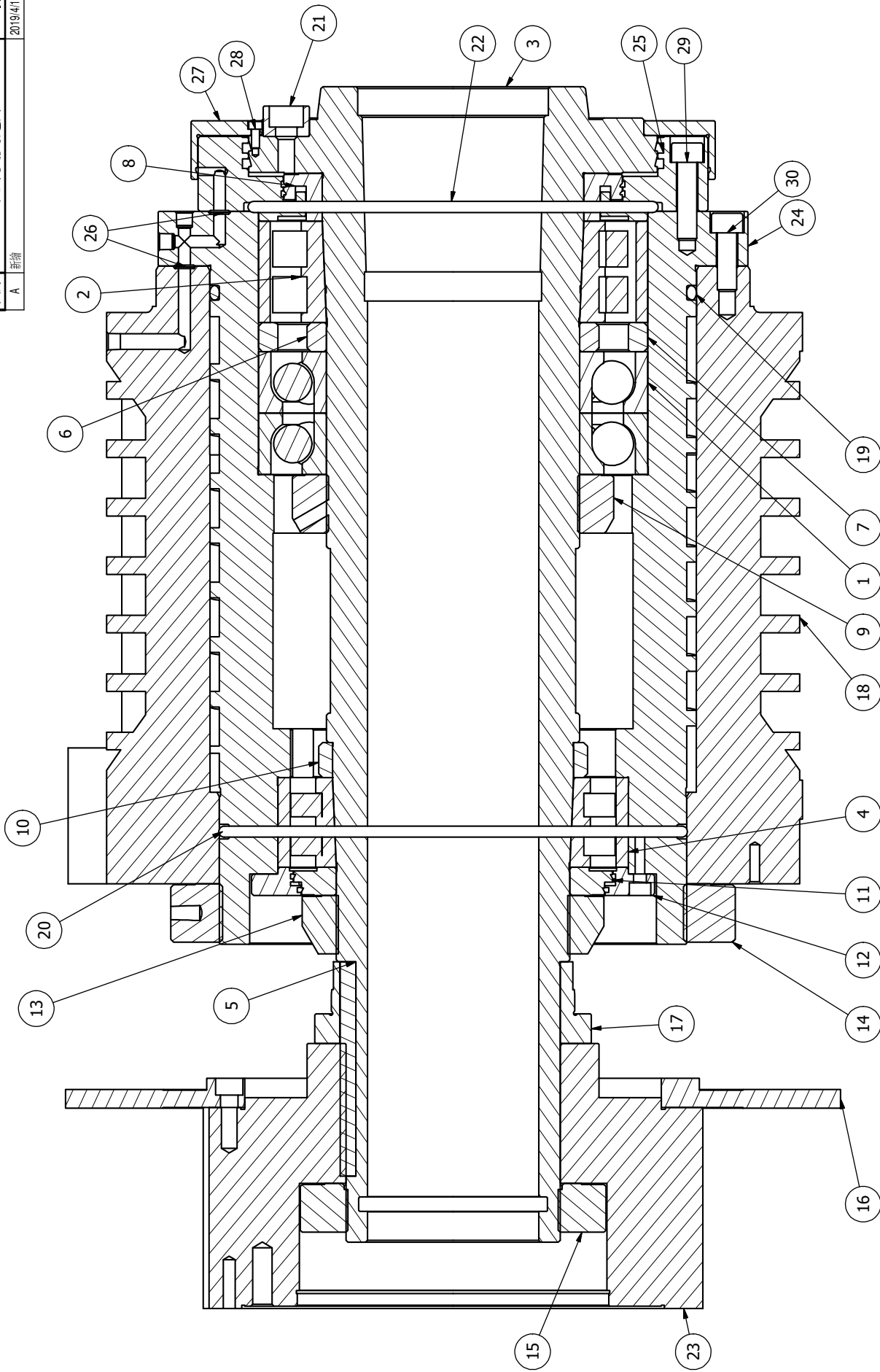
Description: 10" SPINDLE

10"主軸套筒(煞車組件)

Item Part NO.	Description	中文名稱	Specification	Qty	Unit
1.00	BL 000499062C	LOWER COVER, SIEMENS ENCODER	感應尺防塵下蓋(西門子)	1.00	ST
2.00	BL 000499063C	UPPER COVER, SIEMENS ENCODER	感應尺防塵上蓋(西門子)	1.00	ST
3.00	BL 000499064D	BRACKET, ROTARY CYLINDER	迴轉油壓缸固定塊	1.00	EA
4.00	BL 001066137E	SEAT, BRAKE	煞車固定座	1.00	EA
5.00	BL 001046201A	BRAKE	主軸碟式剎車	1.00	EA
6.00	BL 001023401A	ORIENTATION, HEADSTOCK	主軸箱定位銷	1.00	EA
7.00	NL 000022100A	SPACER, SPINDLE	固定塊	1.00	EA
8.00	MS 0103823	SOCKET HEAD CAP SCREW	六角穴圓頭螺絲	2.00	EA
9.00	MN 0114210	HEXAGON NUT	六角螺帽	2.00	EA
10.00	MW 0184210	SPRING WASHER	彈簧墊圈	2.00	EA
11.00	MS 0104628	SOCKET HD. CAP SCREW	六角穴圓頭螺絲	6.00	EA
12.00	MW 0184610	SPRING WASHER	彈簧墊圈	6.00	EA
13.00	MS 0154222	HEX HD., FULL THD	六角頭螺絲	4.00	EA
14.00	NL 001108301A	WASHER	墊圈(M16 WASHER)	6.00	EA
15.00	BL 00094310111	P87 O-RING	O型油環	1.00	EA
16.00	BL 001011523D	PLATE, ENCODER	感應尺固定板	1.00	EA
17.00	MS 0104018	SOCKET HEAD CAP SCREW	六角穴圓頭螺絲	2.00	EA
18.00	MW 0184010	SPRING WASHER	彈簧墊圈	2.00	EA
19.00	MW 0104010	FLAT WASHER	平墊圈	2.00	EA

PRODUCT BOM MASTER AND SUB-ITEMS LIST

Item	Part NO.	Description	中文名稱	Specification	Qty	Unit
20.00	MS 0103616	SOCKET HEAD CAP SCREW	六角六圓頭螺絲	M6XP1.0XL12	10.00	EA
21.00	MW 0183610	SPRING WASHER	彈簧墊圈	M6(HEAT TREATMENT)	10.00	EA
22.00	MW 0113610NI	FLAT WASHER(NICKEL)	平墊圈(鍍鎳)	M6(D6XD13XT1)	4.00	EA
23.00	MS 0103820	SOCKET HEAD CAP SCREW	六角六圓頭螺絲	M8XP1.25XL30	4.00	EA
24.00	MW 0183810	SPRING WASHER	彈簧墊圈	M8(HEAT TREATMENT)	4.00	EA
25.00	MS 0104423	SOCKET HEAD CAP SCREW	六角六圓頭螺絲	M14XP2.0XL45	2.00	EA
26.00	NL 000699027A	COVER	防水環	HLEB0300	1.00	EA



PRODUCT BOM MASTER AND SUB-ITEMS LIST

Master Item Part NO.: NL 000015734B

Description: 10" SPINDLE

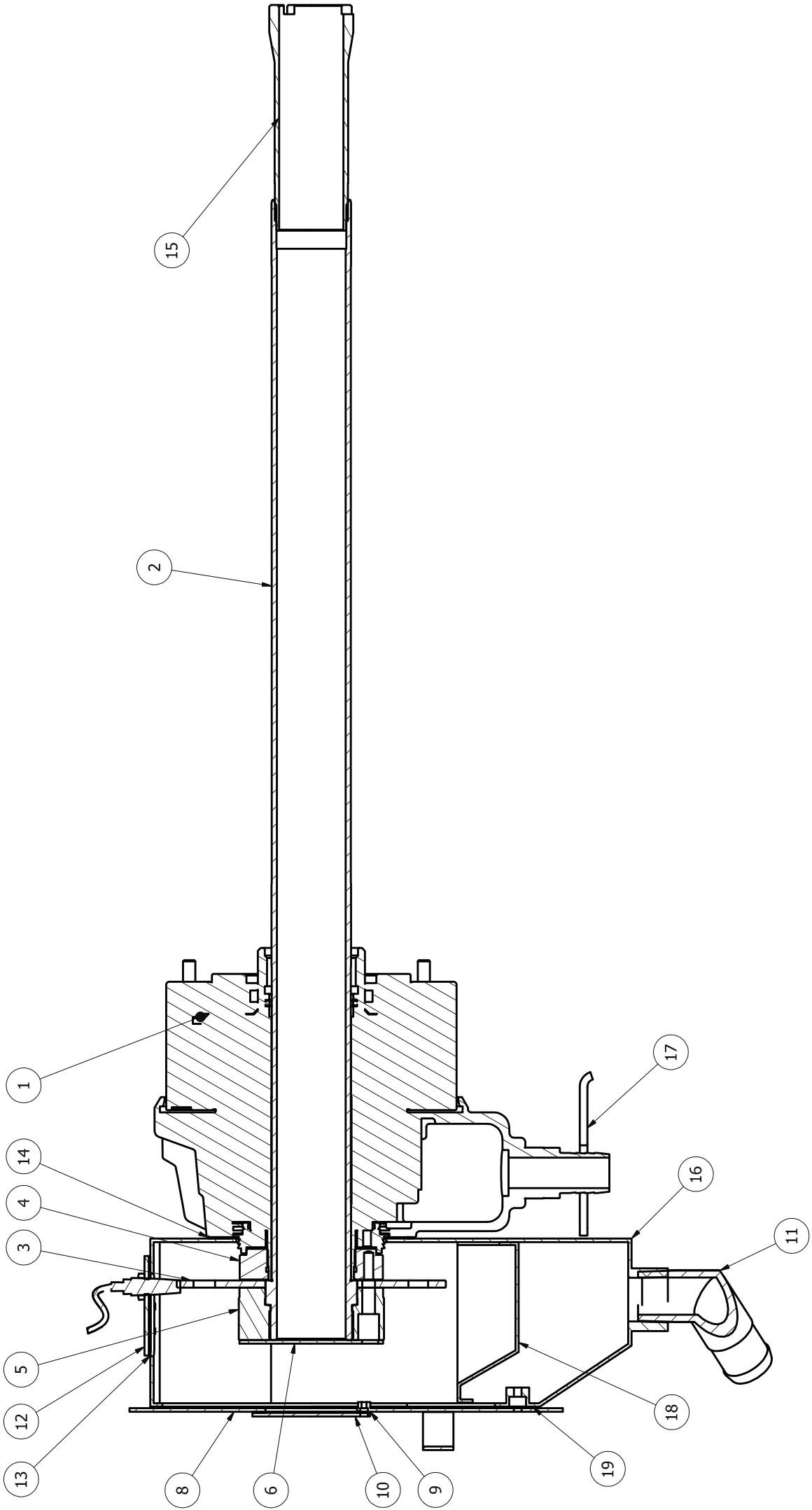
10"主軸套筒(SIEMENS-通孔78)

Item Part NO.	Description	中文名稱	Specification	Qty	Unit
1.00	BL 00002660112 BEARING, SPINDLE(TC78)	主軸斜角滾珠軸承(TC78)	[SKF] BTM130B/DBA	1.00	ST
2.00	BL 00002660208 BEARING, SPINDLE(TC78 FRONT)	主軸滾筒軸承(TC78前端)	[SKF] NN3026KTN9/SPW33	1.00	EA
3.00	NL 000028310B SPINDLE(A2-8)	主軸(A2-8)	D210XD88XL593	1.00	EA
4.00	BL 00002660210 BEARING, SPINDLE(TC78 REAR/TC6	主軸滾筒軸承(TC78後端/TC65前端)	[SKF] NN3024KTN9/SPW33	1.00	EA
5.00	BL 00061150105 SUNK KEY	(雙圓頭鍵)平行鍵	W12*H8*L110	1.00	EA
6.00	BL 000179904D SPACER, SPINDLE	間隔圈	D150XD130XL15	1.00	EA
7.00	BL 000179905D SPACER, SPINDLE	間隔圈	D200XD180XL15	1.00	EA
8.00	BL 000179900D SPACER, SPINDLE	間隔圈	D174XD134.33XL24.5	1.00	EA
9.00	BL 000049202D LOCKNUT	鎖緊螺帽(MF-130-研磨)	M130X2[SHIANG KAI]	1.00	EA
10.00	BL 000179903D SPACER, SPINDLE	間隔圈	D138XD123.83XL18	1.00	EA
11.00	BLA000179902D SPACER, SPINDLE	間隔圈	D156.9XD120XL14.5	1.00	EA
12.00	BLB001011505D REAR COVER, SPINDLE	主軸後蓋	D207XD157XL14.5	1.00	EA
13.00	BL 000049203D LOCKNUT	鎖緊螺帽(MF-120-研磨)	M120X2[SHIANG KAI]	1.00	EA
14.00	BL 000049201C LOCKNUT	鎖緊螺帽(MR-240-精車)	M240X3[SHIANG KAI]	1.00	EA
15.00	BL 000049204D LOCKNUT	鎖緊螺帽(MF-110)	M110X2[SHIANG KAI]	1.00	EA
16.00	BL 000807103D BRAKE DISK	煞車盤	D398XH15.2	1.00	EA
17.00	BL 000317736D SEAT, ENCODER	感應尺座	D131XD110XL42	1.00	EA
18.00	NL 000026400B HEADSTOCK	主軸箱	L746XW317XH488	1.00	ST
19.00	BL 00094310207 O-RING	O型油環	[JIS]G240	1.00	EA

PRODUCT BOM MASTER AND SUB-ITEMS LIST

Item	Part NO.	Description	中文名稱	Specification	Qty	Unit
20.00	BL 00094310206	O-RING	O型油環	[JIS]G230	1.00	EA
21.00	BL 000691605D	BUMPER, A2-8 CHUCK	A2-8夾頭止動環	D23.8XD11XL15.5	1.00	EA
22.00	BL 00094310208	[JIS]G200	O型油環	[JIS]G200	1.00	EA
23.00	NL 000317705B	PULLEY,MOTOR	主軸齒帶輪	P102-S8M-80(40+40)	1.00	EA
24.00	NL 000405203B	HOUSING, SPINDLE	軸承套	D303XD167XL376	1.00	EA
25.00	NL 001011511B	FRONT COVER, SPINDLE	主軸前蓋	D262XD151.5XL43.5	1.00	EA
26.00	NV 00094310512	O-RING	O型油環	P7	4.00	EA
27.00	NL 001011504B	COVER,SPINDLE	主軸防水蓋	D269.3XD196XL30	1.00	EA
28.00	MS 0103415	SOCKET HEAD CAP SCREW	六角六圓頭螺絲	M4XP0.7XL10	6.00	EA
29.00	MS 0104022	SOCKET HEAD CAP SCREW	六角六圓頭螺絲	M10XP1.5XL40	8.00	EA
30.00	MS 0104020	SOCKET HEAD CAP SCREW	六角六圓頭螺絲	M10XP1.5XL30	8.00	EA

次序	設計變更紀錄	日期	ECN.
A	新繪	2016/8/19	---
B	板金細項拆分	2017/3/21	1004322



1-64

MODEL: TALENT 42	PART NUMBER	REV.
PART NAME	NL 000015808A	A
DRAW TUBE (STANDARD)	PAGE	1 OF 1
標準拉桿 (共用件)	SCALE	1:1
DATE	2015/8/31	

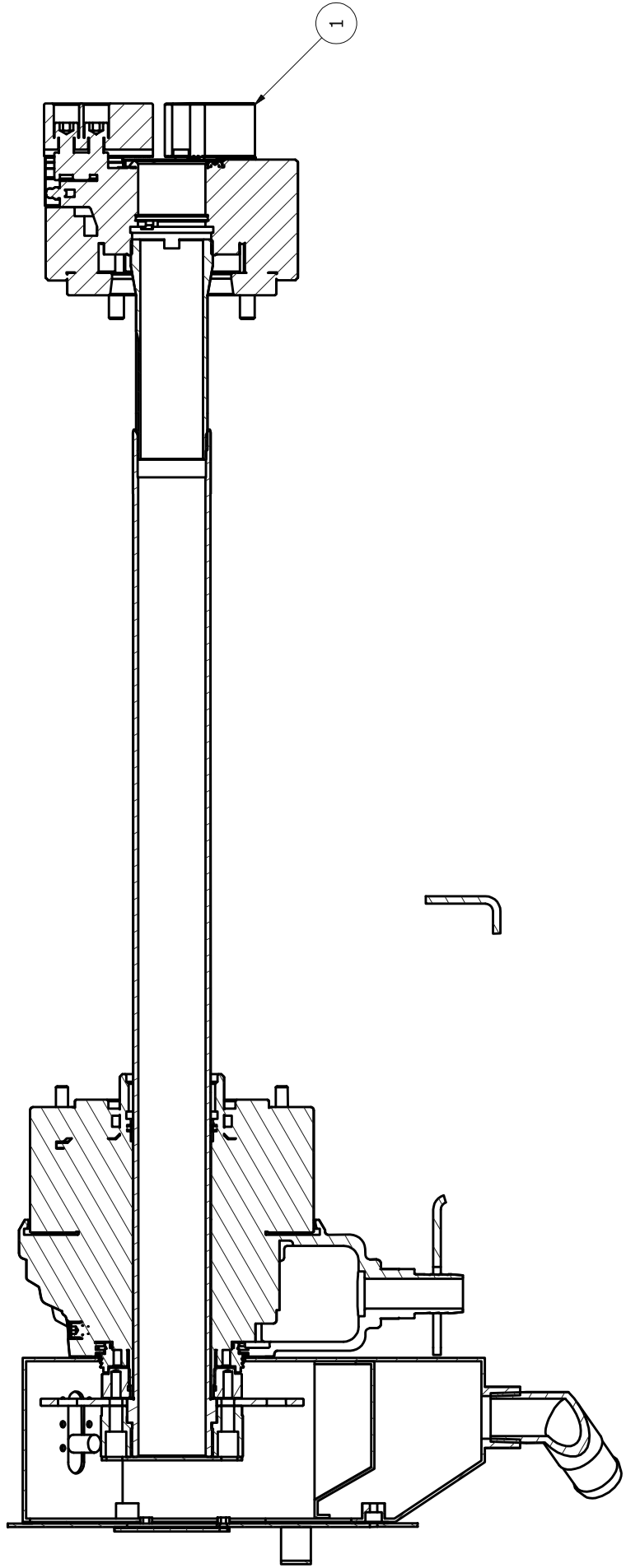
PRODUCT BOM MASTER AND SUB-ITEMS LIST

Master Item Part NO.: NL 000015808A

Description: DRAW TUBE (STANDARD)
(標準)拉桿

Item Part NO.	Description	中文名稱	Specification	Qty	Unit
1.00	NL 00029170101 ROTARY HYDRAULIC CYLINDER	薄型高速中空油壓迴轉缸 (千島 F1552S)	[CHANDOX] F1552S	1.00	ST
2.00	NL 000048006A DRAW TUBE	拉桿(16C)	D60XD45XL745.8	1.00	EA
3.01	NL 000699023A DETECTABLE PLATE	檢出板(拉桿後鎖使用)	D176XD60XL4.8	1.00	EA
4.01	NL 000048011A NUT, CYLINDER	迴轉缸螺帽	D109.6XD78XL14.5	1.00	EA
5.01	NL 000048009A NUT, DRAW TUBE	拉桿螺帽	D111XD70XL33	1.00	EA
6.01	BLA001011620A COVER, COOLANT	導水環蓋(GS 42)	D94XH2.3	1.00	EA
8.00	NL 000299083A COVER	集水槽蓋	HT060DB8	1.00	ST
9.00	BL 001011602A PLASTIC SHIELD	防漏橡膠片	D65	1.00	ST
10.00	NL 000399051A COVER	集水槽蓋	HT060DC9	1.00	EA
11.00	NV 00077030517 CONNECTOR	62度插心直接頭	PT1"XΦ11/4" (62 DEGREE)	1.00	EA
12.00	NL 000399052A SEAT	近接開關固定座	HT060DD0	2.00	EA
13.00	BL 001011616A PACKING,SENSOR	近接開關固定座襯墊(採購件)	TON FOUL65XW40XH0.8(RCS6/8/10)	2.00	ST
14.00	BLA001011614B PACKING,COOLANT COLLECTORS	耐油橡膠墊片(集水槽;油壓缸)	D135XD107XT0.8	1.00	EA
15.00	BLA000048033A DRAW TUBE ADAPTER	拉桿接頭	D55XD42XL147.5	1.00	EA
16.01	NL 000499043A TANK	集水槽	TEMP	1.00	ST
17.00	NL 000399001A BRACKET	迴轉缸固定架	HT060DE3	1.00	ST
18.00	NL 000499044A BOX	集水槽_集屑盒	TEMP	1.00	ST
19.00	NL 000499045A WIPER	集水槽_防漏橡膠	TEMP	1.00	ST

次序	設計變更紀錄	日期	ECN.
A	新繪	2016/4/1	...



MODEL: TALENT 42/51

PART NAME
3 JAW CHUCK ASSEMBLY

PART NUMBER
NL 000015804A

DATE: 2016/7/19

SCALE: 1 : 3

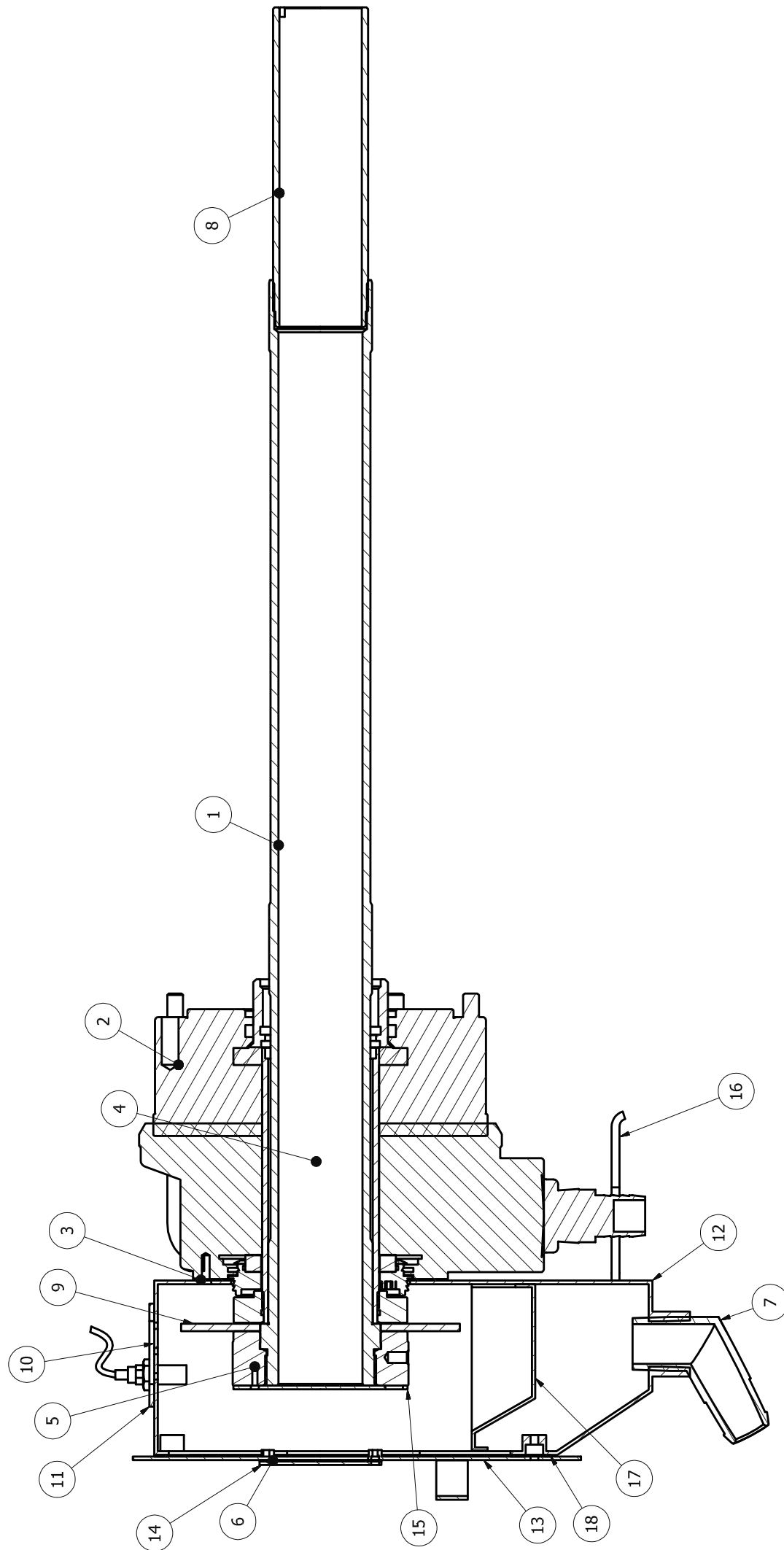
PAGE: 1 OF 1
REV. A

PRODUCT BOM MASTER AND SUB-ITEMS LIST

Master Item Part NO.: NL 000015804A

Description: 3 JAW CHUCK ASSEMBLY
三爪夾頭組合圖(千島)

Item	Part NO.	Description	中文名稱	Specification	Qty	Unit
1.00	BL 00011910130	3-JAWS POWER CHUCK(CHANDOX 6")	三爪高速中空油壓夾頭 (BUCK BPC206)	[BUCK] BPC206	1.00	ST



MODEL: TALENT 51

PART NAME
DRAW TUBE (STANDARD)
標準拉桿 (共用件)

DATE 2015/8/11

PART NUMBER

NL 000015801B

PAGE

1 OF 1

REV.

SCALE 1:2.5

REV. A

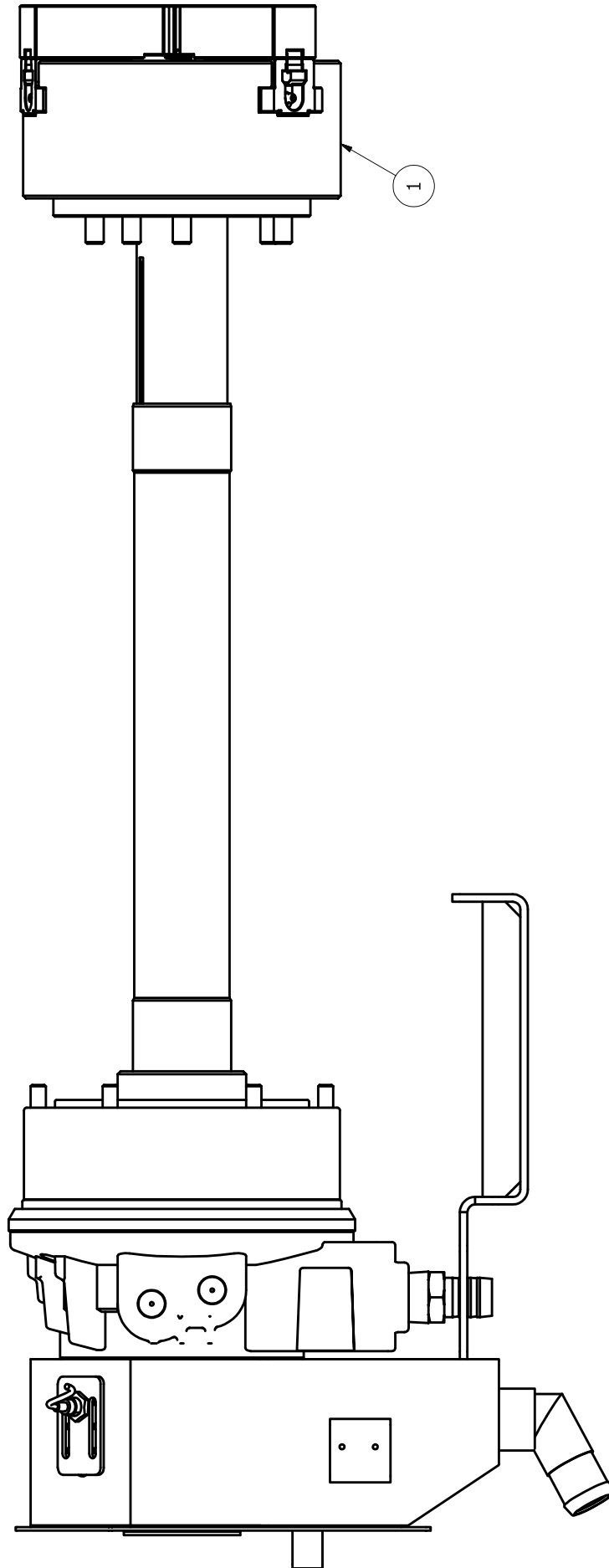
PRODUCT BOM MASTER AND SUB-ITEMS LIST

Master Item Part NO.: NL 000015801B

Description: DRAW TUBE (STANDARD)
(標準)拉桿

Item Part NO.	Description	中文名稱	Specification	Qty	Unit
1.03	NLA000048001B	DRAW TUBE	M76XD53XL679.8	1.00	EA
2.00	NL 00029170102	ROTARY HYDRAULIC CYLINDER	[CHANDOX] P1666S	1.00	EA
3.01	NL 001011614B	PACKING,COOLANT COLLECTORS	D160XD120XT0.8	1.00	EA
4.01	NL 000048010A	NUT, CYLINDER	D109.6XD78XL14.5	1.00	EA
5.01	NL 000048008A	NUT, DRAW TUBE	D111XD70XL33	1.00	EA
6.00	BL 001011602A	PLASTIC SHIELD	D65	1.00	EA
7.00	NV 00077030517	CONNECTOR	PT1"XΦ11/4" (62 DEGREE)	1.00	EA
8.00	NL 000048033B	DRAW TUBE ADAPTER	D60XD52XL202	1.00	EA
9.00	BLA000699023B	DETECTABLE PLATE	D176XD76.1XL4.8	1.00	EA
10.00	BL 001011616A	PACKING,SENSOR	TON FOUL65XW40XH0.8(RCS6/8/10)	2.00	ST
11.00	NL 000399052A	SEAT	HT060DD0	2.00	EA
12.01	NL 000499051B	COOLANT COLLECTORS	TEMP	1.00	EA
13.00	NL 000299083A	COVER	HT060DB8	1.00	ST
14.00	NL 000399051A	COVER	HT060DC9	1.00	EA
15.01	BLA001011620B	COVER, COOLANT	D110XH2.3	1.00	EA
16.00	NL 000399001A	BRACKET	HT060DE3	1.00	EA
17.00	NL 000499044A	BOX	TEMP	1.00	ST
18.00	NL 000499045A	WIPER	TEMP	1.00	ST

次序	設計變更紀錄	日期	ECN.
A	新繪	2016/4/1	...



MODEL: TALENT 51

PART NAME
3 JAW CHUCK ASSEMBLY

PART NUMBER
NL 000015802B

PAGE
1 OF 1

DATE 2015/12/17

SCALE 1:3

REV. A

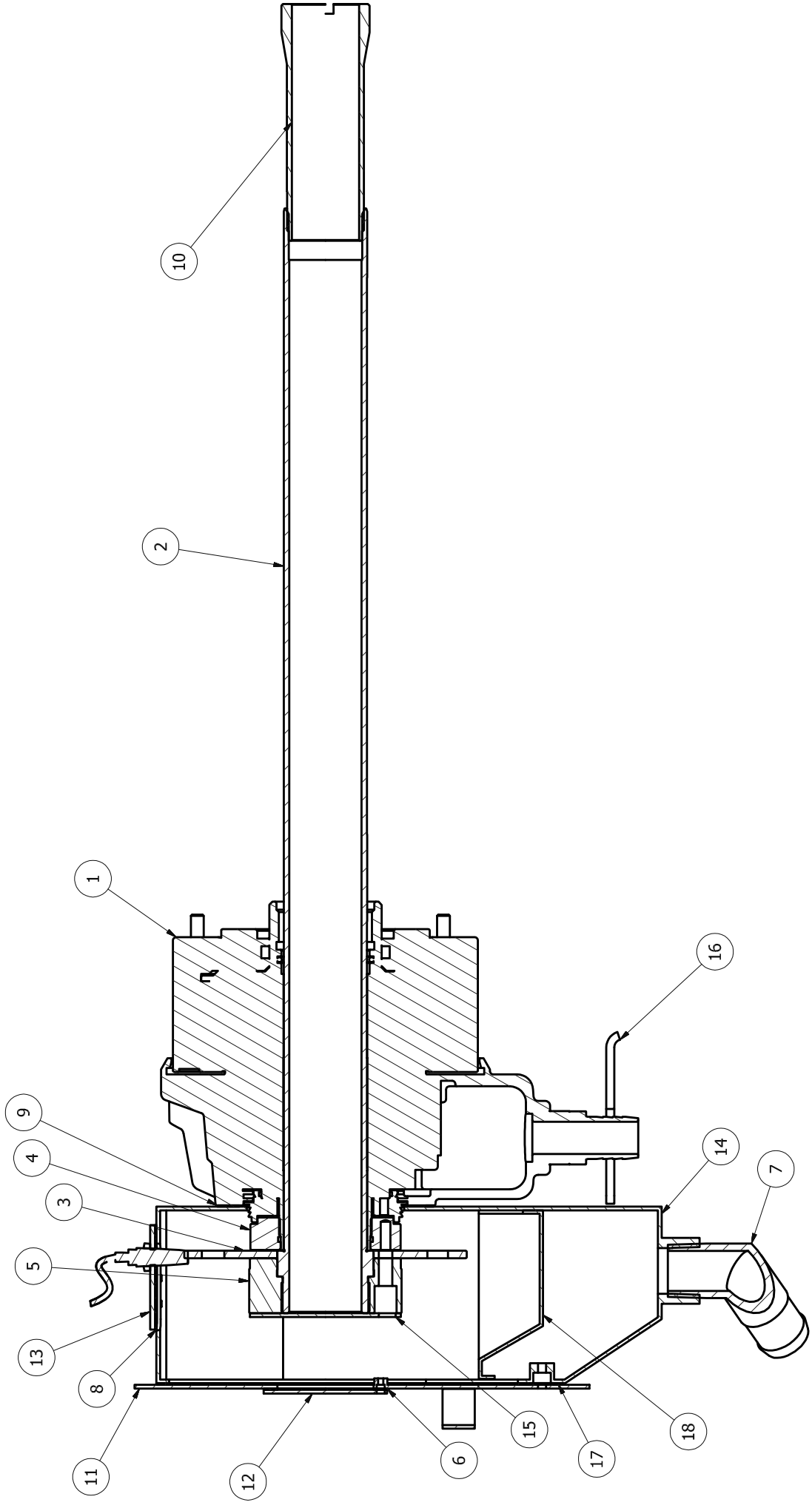
PRODUCT BOM MASTER AND SUB-ITEMS LIST

Master Item Part NO.: NL 000015802B

Description: 3 JAW CHUCK ASSEMBLY
三爪夾頭組合圖(千島)

Item	Part NO.	Description	中文名稱	Specification	Qty	Unit
1.01	NL 000048033B	DRAW TUBE ADAPTER	拉桿接頭-CFS 20C	D60XD52XL202	1.00	EA
2.00	BL 00011910131	3-JAWS POWER CHUCK(CHANDOX 8")	三爪高速中空油壓夾頭 (BUCK BPC208)	[BUCK] BPC208	1.00	ST

次序	設計變更紀錄	日期	ECN.
A	新繪	2015/8/3	--



MODEL: TALENT 51	
PART NAME	PART NUMBER
DRAW TUBE (STANDARD)	NL 000015801A
DATE	PAGE
2015/8/31	1 OF 1
SCALE	REV.
1 : 2.5	A

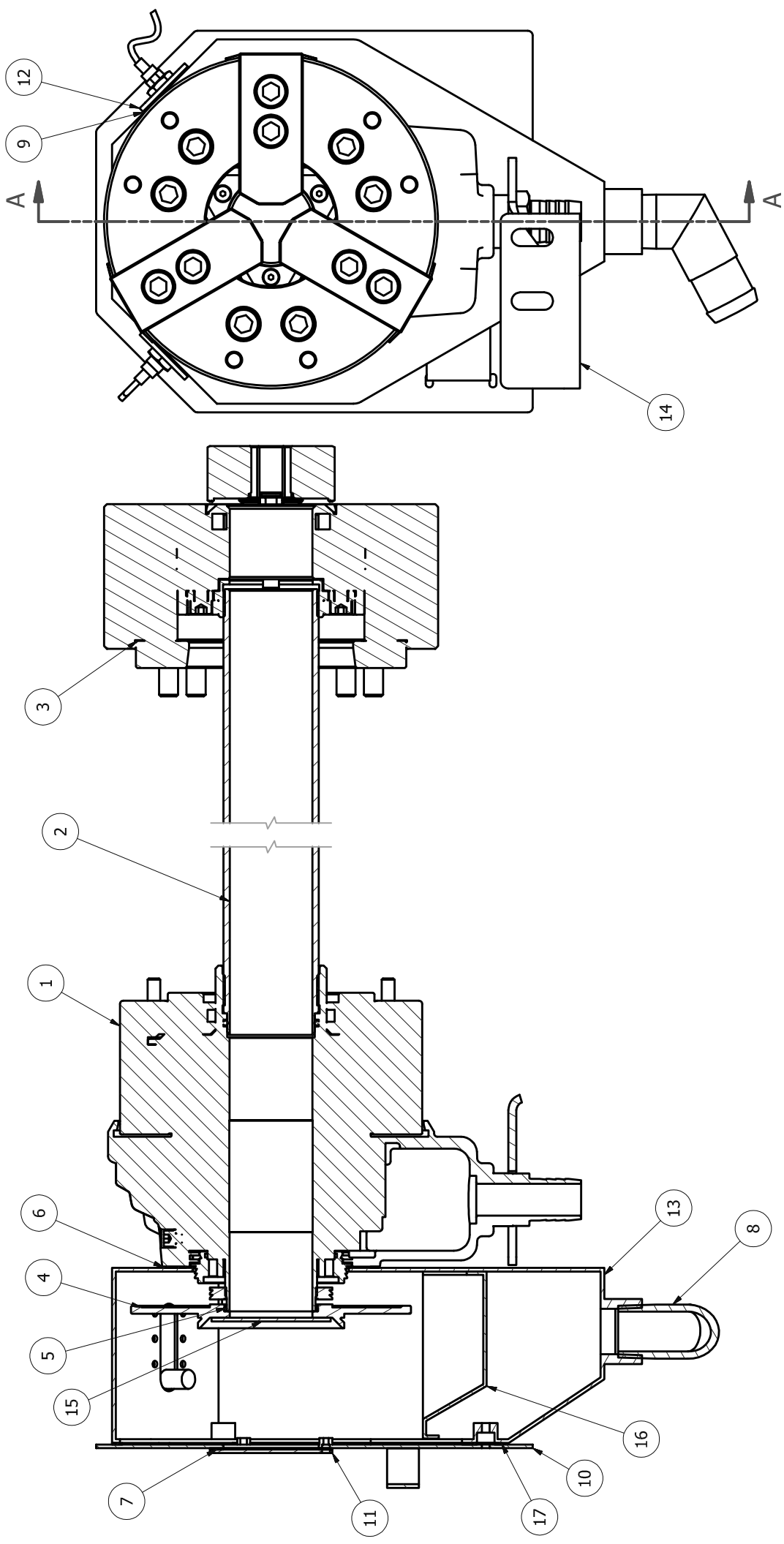
PRODUCT BOM MASTER AND SUB-ITEMS LIST

Master Item Part NO.: NL 000015801A

Description: DRAW TUBE (STANDARD)
(標準)拉桿

Item	Part NO.	Description	中文名稱	Specification	Qty	Unit
1.00	NL 00029170101	ROTARY HYDRAULIC CYLINDER	薄型高速中空油壓迴轉缸 (千島 F1552S)	[CHANDOX] F1552S	1.00	ST
2.01	NL 000048002A	DRAW TUBE	拉桿(16C)	D60XD45XL688.5	1.00	EA
3.01	NL 000699023A	DETECTABLE PLATE	檢出板(拉桿後鎖使用)	D176XD60XL4.8	1.00	EA
4.01	NL 000048011A	NUT, CYLINDER	迴轉缸螺帽	D109.6XD78XL14.5	1.00	EA
5.01	NL 000048009A	NUT, DRAW TUBE	拉桿螺帽	D111XD70XL33	1.00	EA
6.00	BL 001011602A	PLASTIC SHIELD	防漏橡膠片	D65	2.00	ST
7.00	NV 00077030517	CONNECTOR	62度插心直接頭	PT1"XΦ11/4" (62 DEGREE)	1.00	EA
8.00	BL 001011616A	PACKING,SENSOR	近接開關固定座襯墊(採購件)	TON FOUL65XW40XH0.8(RCS6/8/10)	2.00	ST
9.00	BLA001011614B	PACKING,COOLANT COLLECTORS	耐油橡膠墊片(集水槽;油壓缸)	D135XD107XT0.8	1.00	EA
10.00	BLA000048033A	DRAW TUBE ADAPTER	拉桿接頭	D55XD42XL147.5	1.00	EA
11.00	NL 000299083A	COVER	集水槽蓋	HT060DB8	1.00	ST
12.00	NL 000399051A	COVER	集水槽蓋	HT060DC9	1.00	EA
13.00	NL 000399052A	SEAT	近接開關固定座	HT060DD0	2.00	EA
14.01	NL 000499043A	TANK	集水槽	TEMP	1.00	ST
15.01	BLA001011620A	COVER, COOLANT	導水環蓋(GS 42)	D94XH2.3	1.00	EA
16.00	NL 000399001A	BRACKET	迴轉缸固定架	HT060DE3	1.00	EA
17.00	NL 000499044A	BOX	集水槽_集屑盒	TEMP	1.00	ST
18.00	NL 000499045A	WIPER	集水槽_防漏橡膠	TEMP	1.00	ST

次序	設計變更紀錄	日期	ECN.
A	新繪	2017/9/25	-



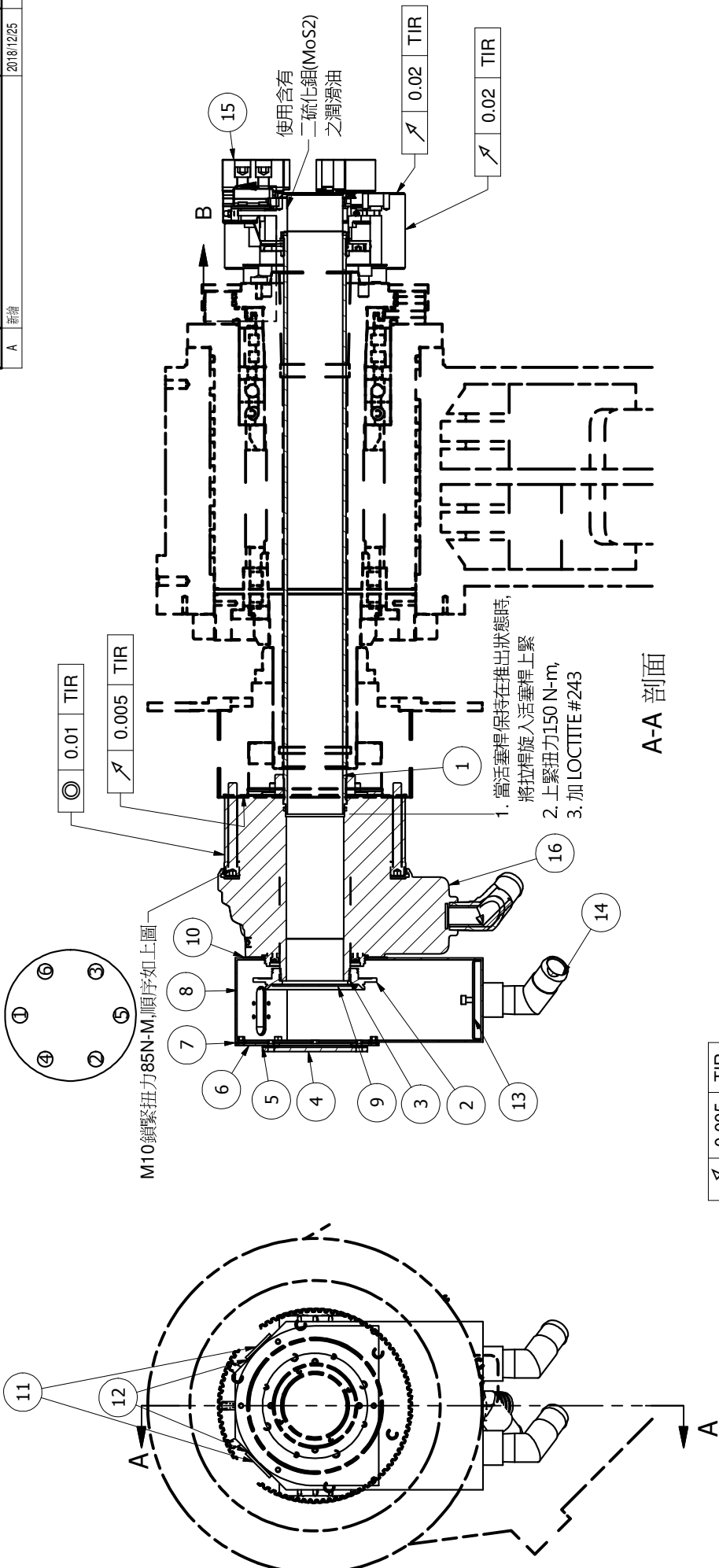
MODEL: TALENT 51	PART NUMBER	SCALE	REV.
BARW/TUBE (STANDARD) + 3 JAWS	NL 000015804B	1:1	1
CHUCK	PAGE		
(標準)拉桿 + 三爪夾頭	1 OF 1		
DATE			
2015/9/25			

PRODUCT BOM MASTER AND SUB-ITEMS LIST

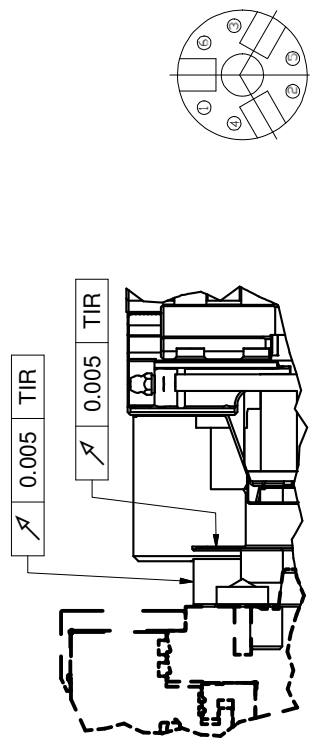
Master Item Part NO.: NL 000015804B

Description: DRAW TUBE (STANDARD) + 3 JAWS
(標準)拉桿 + 三爪夾頭

Item	Part NO.	Description	中文名稱	Specification	Qty	Unit
1.00	NL 00029170101	ROTARY HYDRAULIC CYLINDER	薄型高速中空油壓迴轉缸 (千島 F1552S)	[CHANDOX] F1552S	1.00	ST
2.01	NL 000048002B	DRAW TUBE	拉桿(A2-6 8")	D60XD52XL598	1.00	EA
3.00	BL 00011910131	3-JAWS POWER CHUCK(CHANDOX 8")	三爪高速中空油壓夾頭 (BUCK BPC208)	[BUCK] BPC208	1.00	ST
4.01	NL 001011546B	COVER, COOLANT	導水環	D176XW25.5	1.00	EA
5.00	BL 00094310119	O-RING	O型油環	S56	1.00	EA
6.00	BLA001011614B	PACKING,COOLANT COLLECTORS	耐油橡膠墊片(集水槽;油壓缸)	D135XD107XT0.8	1.00	EA
7.00	BL 001011602A	PLASTIC SHIELD	防漏橡膠片	D65	1.00	EA
8.00	NV 00077030517	CONNECTOR	62度插心直接頭	PT1"XΦ11/4" (62 DEGREE)	1.00	EA
9.00	BL 001011616A	PACKING,SENSOR	近接開關固定座襯墊(採購件)	TON FOUL65XW40XH0.8(RCS6/8/10)	2.00	ST
10.00	NL 000299083A	COVER	集水槽蓋	HT060DB8	1.00	ST
11.00	NL 000399051A	COVER	集水槽蓋	HT060DC9	1.00	EA
12.00	NL 000399052A	SEAT	近接開關固定座	HT060DD0	2.00	EA
13.01	NL 000499043A	TANK	集水槽	TEMP	1.00	ST
14.00	NL 000399001A	BRACKET	迴轉缸固定架	HT060DE3	1.00	EA
15.00	BL 001011600C	COVER, COOLANT	導水環蓋	D75XH2.3	1.00	EA
16.00	NL 000499044A	BOX	集水槽_集屑盒	TEMP	1.00	ST
17.00	NL 000499045A	WIPER	集水槽_防漏橡膠	TEMP	1.00	ST



A-A 剖面



B 局部詳圖

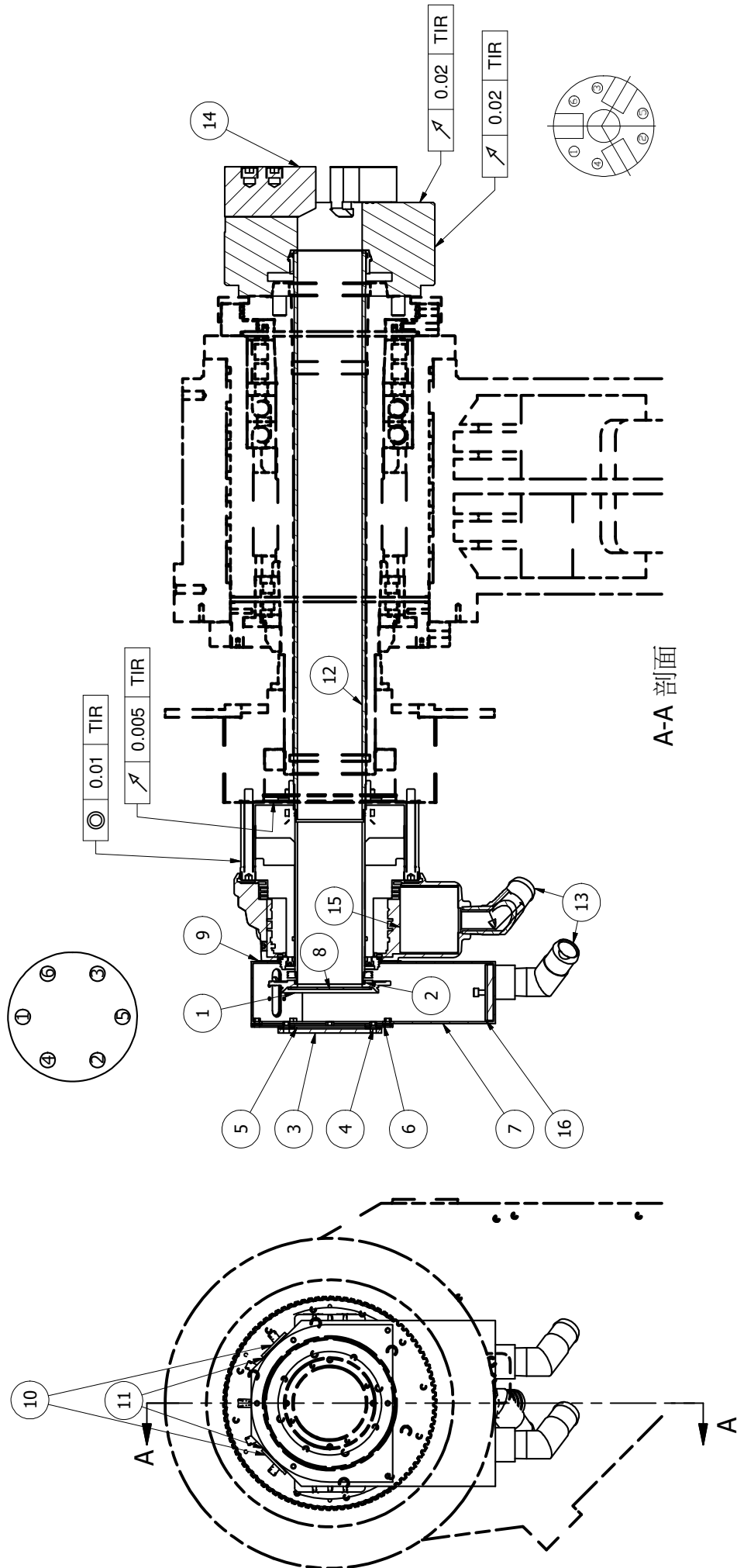
MODEL: TALENT 51	PART NUMBER	NL 000015805B
PART NAME	DRAW TUBE + 3 JAWS CHUCK	
拉桿 + 三爪夾頭 - 通孔66	PAGE	1 OF 1
DATE	SCALE	REV.
2018/12/19	1 : 1	A

PRODUCT BOM MASTER AND SUB-ITEMS LIST

Master Item Part NO.: NL 000015805B

Description: DRAW TUBE + 3 JAWS CHUCK
拉桿 + 三爪夾頭-通孔66

Item Part NO.	Description	中文名稱	Specification	Qty	Unit
1.01	NL 000048010B BRAW TUBE	拉桿-通孔66	D75XD66XL692.65	1.00	EA
2.00	BLA001011546D RING, COOLANT	導水環	D147XW25.5	1.00	EA
3.00	BL 00094310120 O-RING	O型油環	S80	1.00	EA
4.00	BL 001049904D WINDOW, COOLANT COVER(ACR)	集水槽窗壓克力板	D125*H5	1.00	EA
5.00	BL 000805028D RUBBER,COOLANT COLLECTOR COVER	耐油橡膠墊片(集水槽蓋)	D125XD86XT2	1.00	EA
6.00	BLB000299033D FRAME, COOLANT COVER	集水槽框架	L190XW171XH2.3	1.00	EA
7.00	BLA000805027D RUBBER,COOLANT COLLECTORS	耐油橡膠墊片(集水槽)	L190XW171XH2	1.00	EA
8.01	NL 000299031B COOLANT COLLECTORS(For Sensor)	集水槽(可裝SENSOR)	KEYARROW	1.00	EA
9.00	BL 001011600D COVER, COOLANT	導水環蓋	D101XH2.3	1.00	EA
10.00	BL 001011614D PACKING	墊片-採購件 <TON-FOU>	D172XD23XH0.8<TON-FOU>	1.00	EA
11.00	BL 001011615D SEAT,SENSOR	近接開關固定座- <TON-FOU>	採購件 <TON-FOU> RC6-34 (L75XW40)	2.00	ST
12.00	BL 001011616D PACKING,SENSOR	近接開關固定座襯墊(採購件)	(TON FOU)-L75XW40XH0.8	2.00	ST
13.01	NL 000399003B SCREEN, COOLANT TANK	過濾網(Φ3網板)	KEYARROW	2.00	EA
14.00	NV 00077030517 CONNECTOR	62度插心直接頭	PT1"XΦ11/4" (62 DEGREE)	3.00	EA
15.00	NL 00011910104 3-JAWS POWER CHUCK	三爪高速中空油壓夾頭-BBC208	[BUCK] BBC208-A6	1.00	ST
16.00	NL 00029170103 HIGH SPEED COMPACT HOLLOW ROTA	薄型高速中空油壓迴轉缸(F1868S-HD1)	F1868S-HD1	1.00	ST



A-A 剖面

MODEL: TALENT 51	PART NUMBER	NL 000015806B
PART NAME	PAGE	1 OF 1
英文圖名	SCALE	1 : 1
(標準)拉桿 + 三爪夾頭-通孔78	REV.	A
DATE		
2018/12/19		

PRODUCT BOM MASTER AND SUB-ITEMS LIST

Master Item Part NO.: NL 000015806B

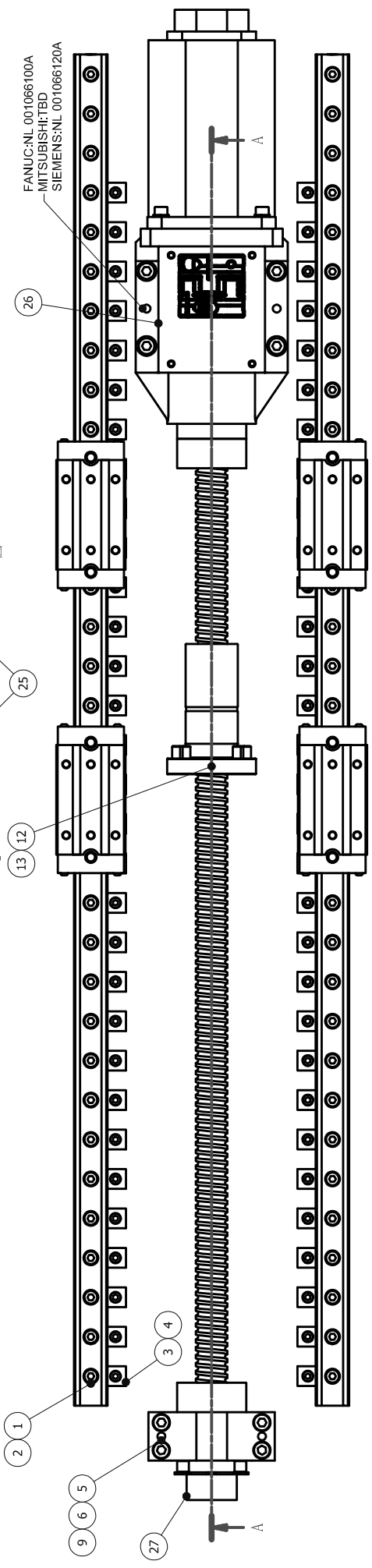
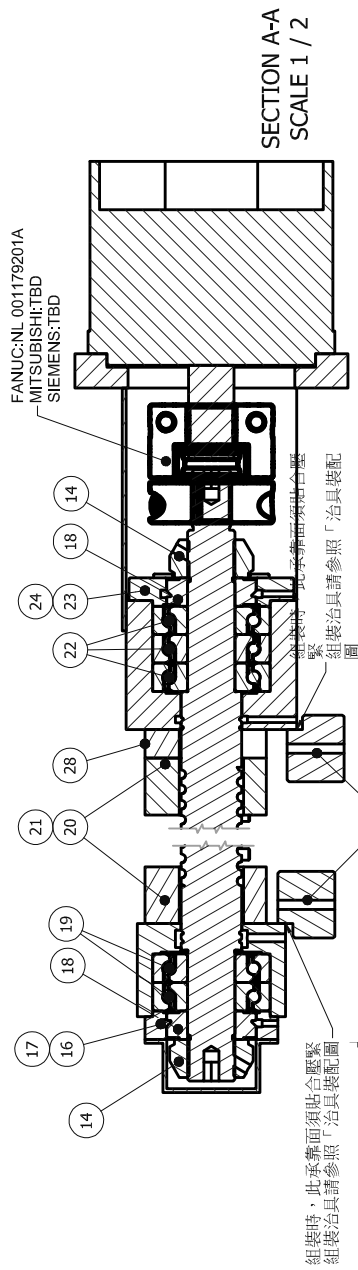
Description: DRAW TUBE + 3 JAWS CHUCK
拉桿 + 三爪夾頭-通孔78

Item Part NO.	Description	中文名稱	Specification	Qty	Unit
1.00	BLA001011546D RING, COOLANT	導水環	D147XW25.5	1.00	EA
2.00	BL 00094310120 O-RING	O型油環	S80	1.00	EA
3.00	BL 001049904D WINDOW, COOLANT COVER(ACR)	集水槽窗壓克力板	D125*H5	1.00	EA
4.00	BL 000805028D RUBBER,COOLANT COLLECTOR COVER	耐油橡膠墊片(集水槽蓋)	D125XD86XT2	1.00	EA
5.00	BLB000299033D FRAME, COOLANT COVER	集水槽框架	L190XW171XH2.3	1.00	EA
6.00	BLA000805027D RUBBER,COOLANT COLLECTORS	耐油橡膠墊片(集水槽)	L190XW171XH2	1.00	EA
7.00	NL 000299031B COOLANT COLLECTORS(For Sensor)	集水槽(可裝SENSOR)	KEYARROW	1.00	EA
8.00	BL 001011600D COVER, COOLANT	導水環蓋	D101XH2.3	1.00	EA
9.00	BL 001011614D PACKING	墊片-採購件 <TON-FOU>	D172XD23XH0.8<TON-FOU>	1.00	EA
10.00	BL 001011615D SEAT,SENSOR	近接開關固定座- <TON-FOU>	採購件 <TON-FOU> RC6-34 (L75XW40)	2.00	EA
11.00	BL 001011616D PACKING,SENSOR	近接開關固定座襯墊(採購件)	(TON FOU)-L75XW40XH0.8	2.00	EA
12.00	NL 000048011B DRAW TUBE	拉桿-通孔78	D87XD78XL686.45	1.00	EA
13.00	NV 00077030517 CONNECTOR	62度插心直接頭	PT1"XΦ11/4" (62 DEGREE)	3.00	EA
14.00	NL 00011910105 3-JAWS POWER CHUCK	三爪高速中空油壓夾頭-OP-210BH	[BUCK] OP-210BH-A8	1.00	ST
15.00	NL 00029170104 HIGH SPEED COMPACT HOLLOW ROTA	薄型高速中空油壓迴轉缸(F1878S-HD)	F1878S-HD	1.00	ST
16.00	NL 000399003B SCREEN, COOLANT TANK	過濾網(Φ3網板)	KEYARROW	2.00	EA

Chapter 2

第二主軸/尾座

SUB-SPINDLE



MODEL: TALENT 42/51 B	PART NUMBER: NL.000013004A
	E軸/滑動 E-AXIS CARRIAGE
DATE: 2015/8/10	PAGE: 1 OF 1
SCALE: 1:3	REV: 8

PRODUCT BOM MASTER AND SUB-ITEMS LIST

Master Item Part NO.: NL 000013004A

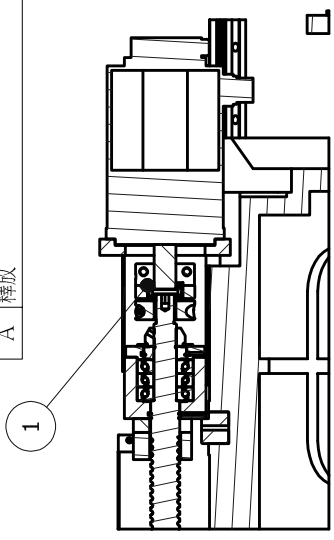
Description: E-AXIS CARRIAGE

E軸傳動

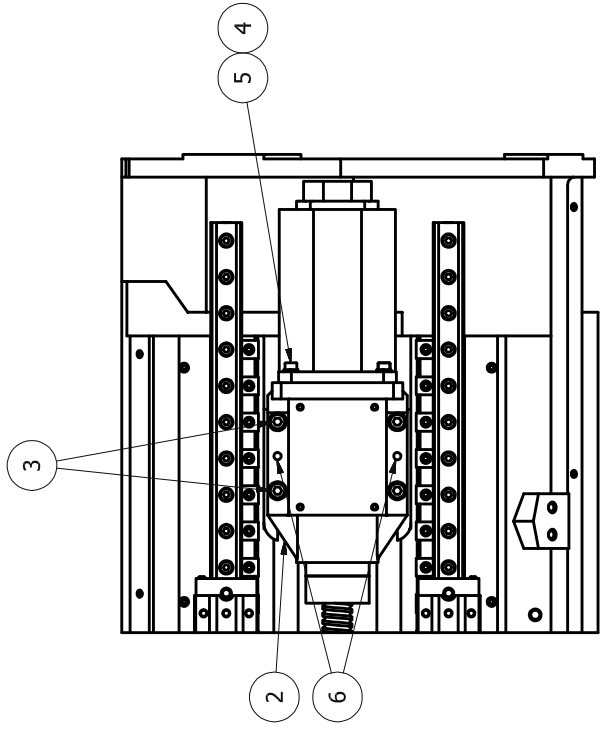
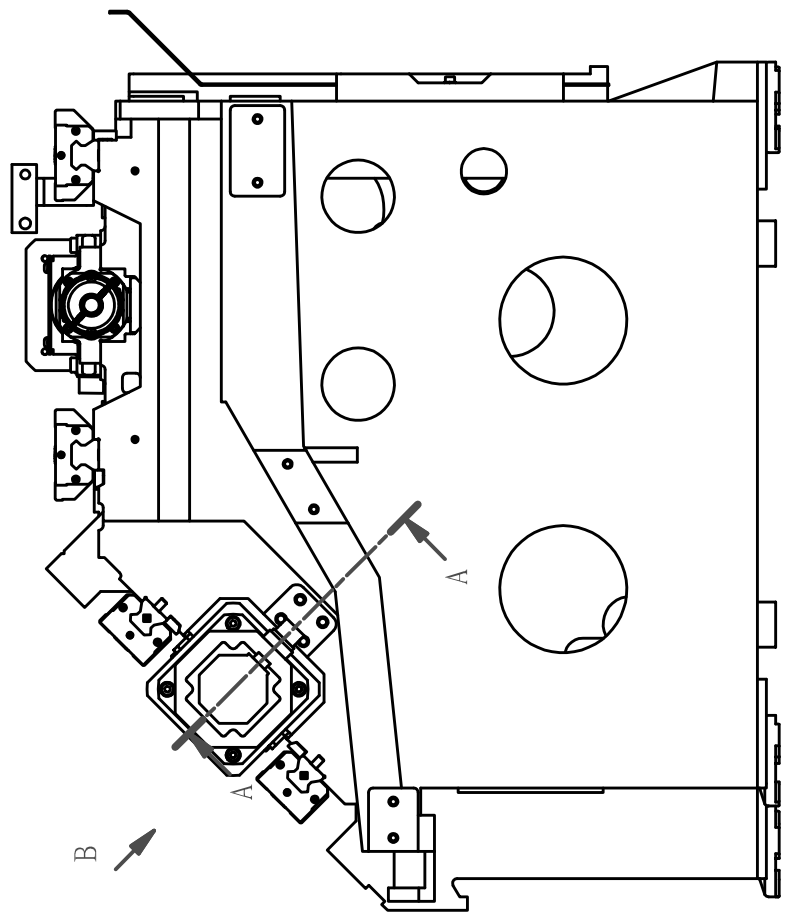
Item	Part NO.	Description	中文名稱	Specification	Qty	Unit
1.01	NL 000831603A	LINEAR GUIDE, E-AXIS	E軸線性滑軌	[INA]RUE35-E-HL-W2-G2-V3/1370	1.00	ST
2.00	MS 0103820	SOCKET HEAD CAP SCREW	六角穴圓頭螺絲	M8XP1.25XL30	68.00	EA
3.02	NV 001059000D	RETAINER, WEDGE	楔塊	L20XW18.5XH9.5	62.00	EA
4.00	MS 0103617	SOCKET HEAD CAP SCREW	六角穴圓頭螺絲	M6XP1.0XL16	60.00	EA
5.02	NL 001117600A	SEAT ,BEARING	軸承座	L128XW49XH78	1.00	EA
6.00	MS 0104020	SOCKET HEAD CAP SCREW	六角穴圓頭螺絲	M10XP1.5XL30	4.00	EA
9.00	NV 00032530107	TAPER PIN	斜銷(內牙M5X0.8X16深)	D8X45L(M5X0.8XH16)	2.00	EA
12.01	NL 000190201A	BALL SCREW, E-AXIS	E軸滾珠導螺桿	[PM]JR32-8T5-FDDC-962-1222	1.00	ST
13.00	MS 0103818	SOCKET HEAD CAP SCREW	六角穴圓頭螺絲	M8XP1.25XL20	6.00	EA
14.00	NL 000049200A	LOCKNUT	鎖緊螺帽	[HSIANG KAI]SFZ25X1.5P	2.00	EA
16.00	NV 001011543J	COVER,BALLSCREW	軸承座蓋	D87XD47.4XW11	1.00	EA
17.00	MS 0103518	SOCKET HEAD CAP SCREW	六角穴圓頭螺絲	M5XP0.8XL20	4.00	EA
18.00	NV 000179920J	SPACER, SUPPORT BRG	間隔圈	D47XD25XL11	2.00	EA
19.00	NV 00002660137	BEARING, BALL SCREW SUPPORT	滾珠導桿斜角滾珠軸承	NSK 25TAC62BDTC10PN7B (2/SET)	1.00	ST
20.00	NVA000691601L	BUMPER(#40, Z-AXIS)	止動環(#40, Z軸)	D70XD34XL30	2.00	EA
21.00	MS 0103616	SOCKET HEAD CAP SCREW	六角穴圓頭螺絲	M6XP1.0XL12	4.00	EA
22.00	NV 00002660103	BEARING, BALL SCREW SUPPORT	滾珠導桿斜角滾珠軸承	NSK 25TAC62BSUC10PN7B (3/SET)	1.00	ST
23.00	NV 001011542J	COVER,BALLSCREW	軸蓋	D87XD47.4XW11	1.00	EA
24.00	MS 0103618	SOCKET HEAD CAP SCREW	六角穴圓頭螺絲	M6XP1.0XL20	4.00	EA

PRODUCT BOM MASTER AND SUB-ITEMS LIST

Item	Part NO.	Description	中文名稱	Specification	Qty	Unit
25.02	NL 001023400A	SHAFT, POSITION	定位軸	L30XD35	2.00	EA
26.00	NL 000399050A	PLATE	馬達座蓋板	HT060D31	1.00	EA
27.00	NL 000199017A	COVER, BEARING HOUSING	護蓋	HT060D32	1.00	EA
28.00	NL 000299037A	STOPER	E軸右止動塊	HT060DF7	1.00	EA



SECTION A-A
SCALE 1:6



MODEL: TALENT 42/51 B	PART NUMBER
PART NAME	NL 000013017A
COUPLING(FANUC)	PAGE 1 OF 1
联轴器(FANUC)	REV. A
DATE 2015/12/13	SCALE 1:6

PRODUCT BOM MASTER AND SUB-ITEMS LIST

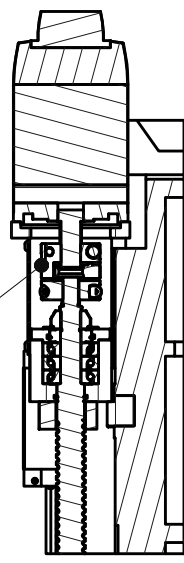
Master Item Part NO.: NL 000013017A

Description: COUPLING(FANUC)
E聯軸器(FANUC)

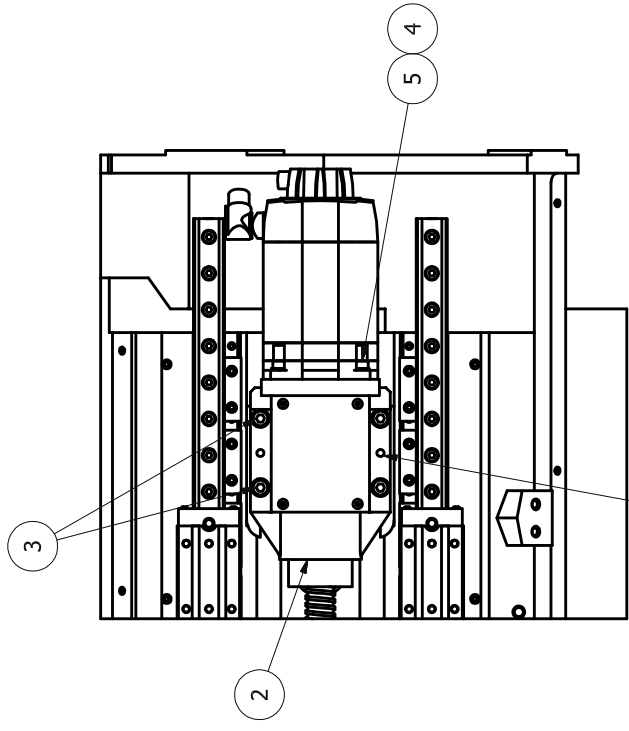
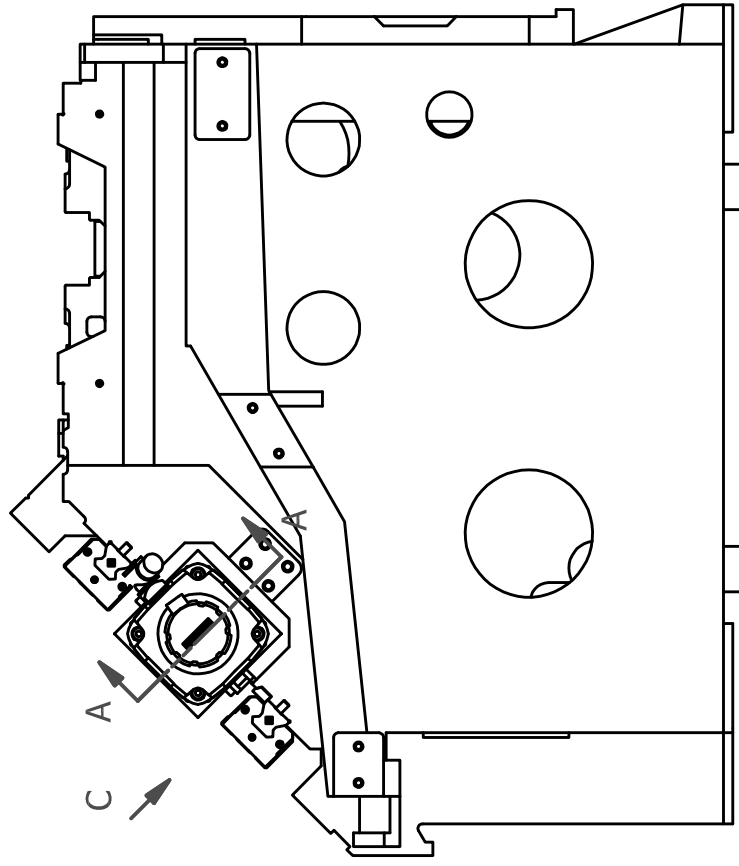
Item	Part NO.	Description	中文名稱	Specification	Qty	Unit
1.01	NL 001179201A	COUPLING(FANUC)	聯軸器(FANUC)	[KTR] ROTEX-GS-28-98SHA	1.00	EA
2.01	NL 001066101A	SEAT, MOTOR(ZE AXIS)	馬達座(ZE軸)	L198XW154XH130	1.00	EA
3.00	MS 0104022	SOCKET HEAD CAP SCREW	六角穴圓頭螺絲	M10XP1.5XL40	4.00	EA
4.00	MW 0183810	SPRING WASHER	彈簧墊圈	M8(HEAT TREATMENT)	4.00	EA
5.00	MS 0103819	SOCKET HEAD CAP SCREW	六角穴圓頭螺絲	M8XP1.25XL25	4.00	EA
6.00	NV 00032530107	TAPER PIN	斜銷(內牙M5X0.8X16深)	D8X45L(M5X0.8XH16)	2.00	EA

次序	設計變更紀錄	日期	ECN.
A	新增	2016/6/27	1004020
B	更換馬達座由NL1001066124A更換為NL001066120A	2016/7/4	1004135

1



SECTION A-A
SCALE 1/6



VIEW C
SCALE 1/6

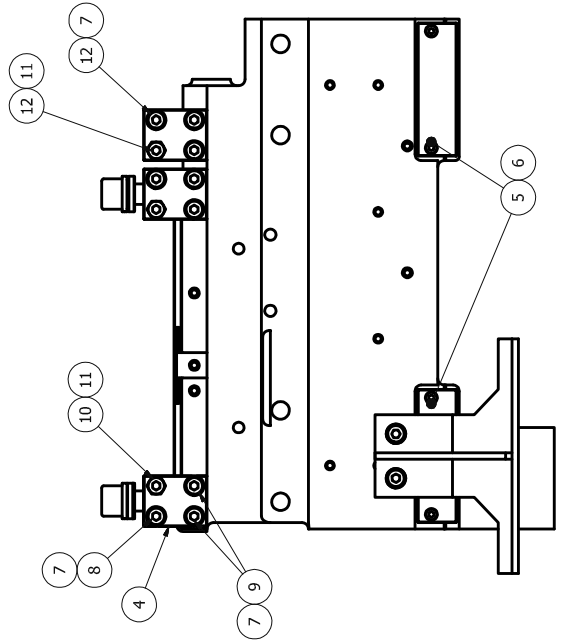
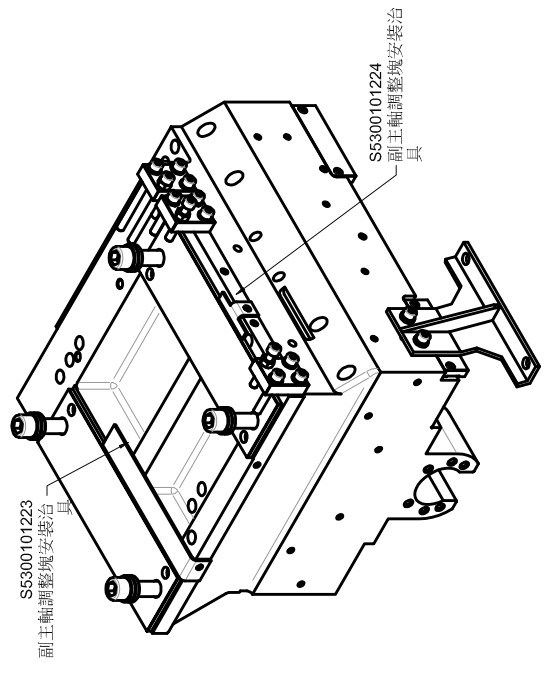
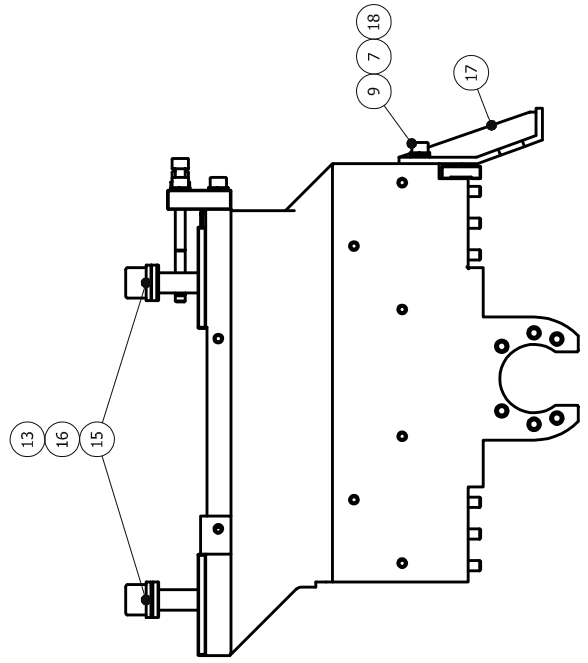
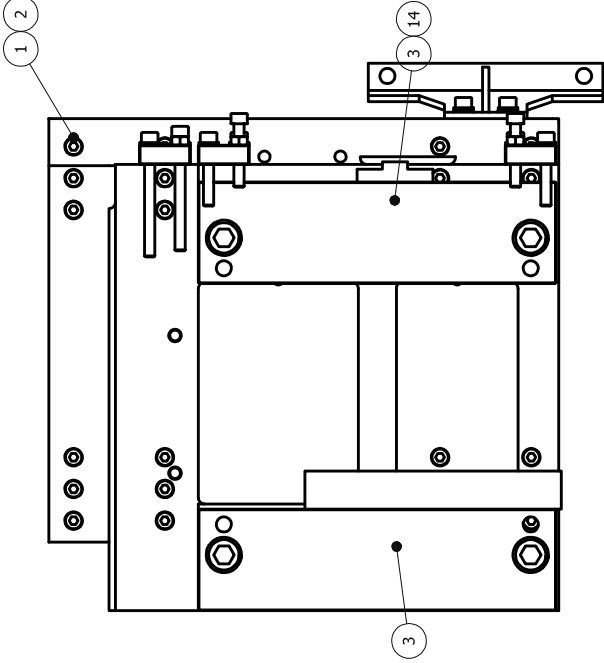
MODEL: TALENT 42/51	PART NUMBER	REV.
PART NAME	NL 000013019A	B
COUPLING(SIEMENS)	PAGE	1 OF 1
三聯軸器	SCALE	1 : 6
DATE	2015/7/16	

PRODUCT BOM MASTER AND SUB-ITEMS LIST

Master Item Part NO.: NL 000013019A

Description: COUPLING(SIEMENS)
E聯軸器(SIEMENS)

Item	Part NO.	Description	中文名稱	Specification	Qty	Unit
1.01	NL 001179208A	COUPLING(SIEMENS)-E AXIS	聯軸器(SIEMENS)-E軸	[KTR] ROTEX-GS-24-64SHD	1.00	EA
2.01	NL 001066120A	SEAT, MOTOR(ZE AXIS)(SIEMENS)	馬達座(ZE軸)(西門子)	L198XW154XH130	1.00	EA
3.00	MS 0104022	SOCKET HEAD CAP SCREW	六角穴圓頭螺絲	M10XP1.5XL40	4.00	EA
4.00	MW 0183810	SPRING WASHER	彈簧墊圈	M8(HEAT TREATMENT)	4.00	EA
5.00	MS 0103819	SOCKET HEAD CAP SCREW	六角穴圓頭螺絲	M8XP1.25XL25	4.00	EA
6.00	NV 00032530107	TAPER PIN	斜銷(內牙M5X0.8X16深)	D8X45L(M5X0.8XH16)	2.00	EA

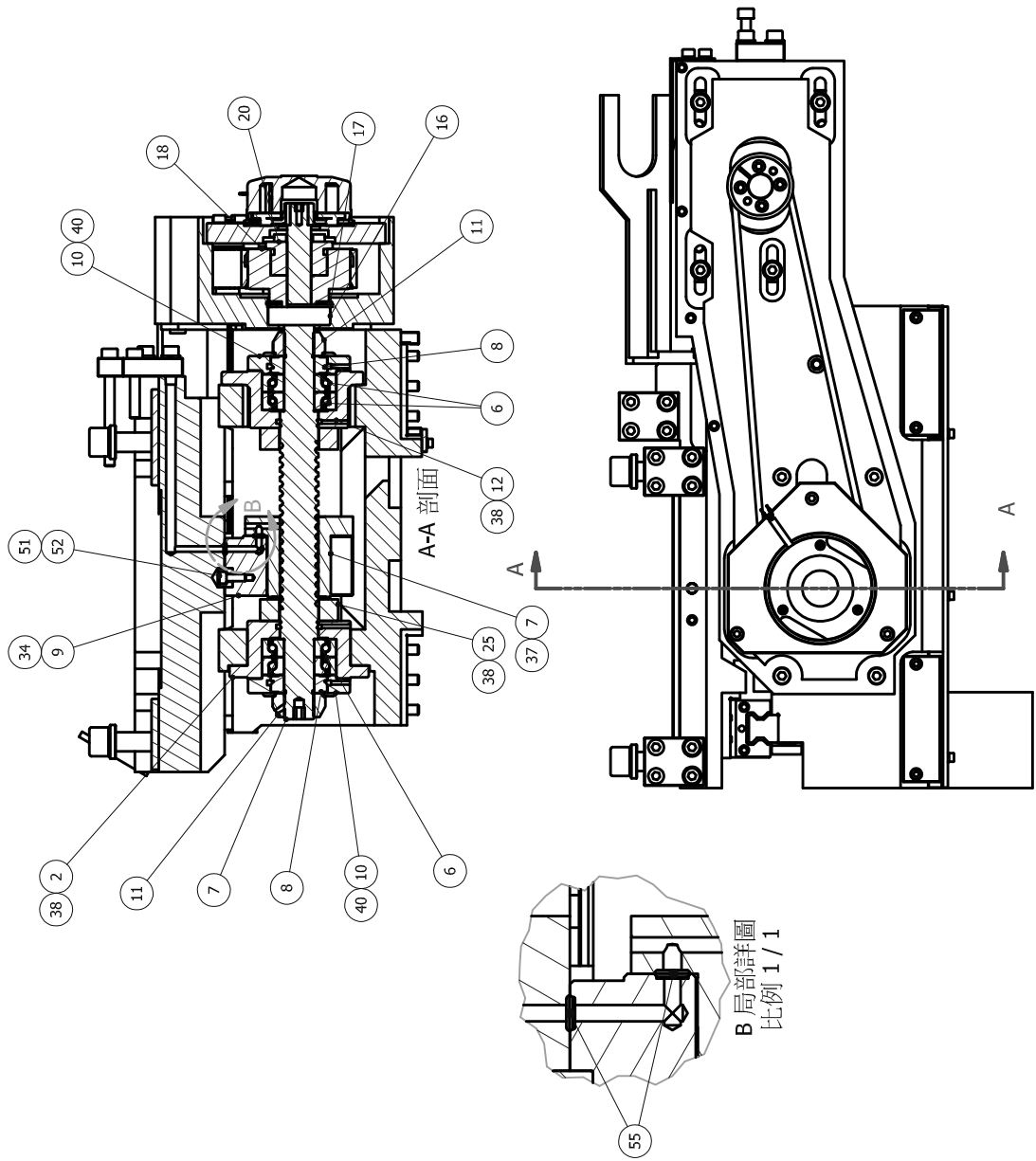


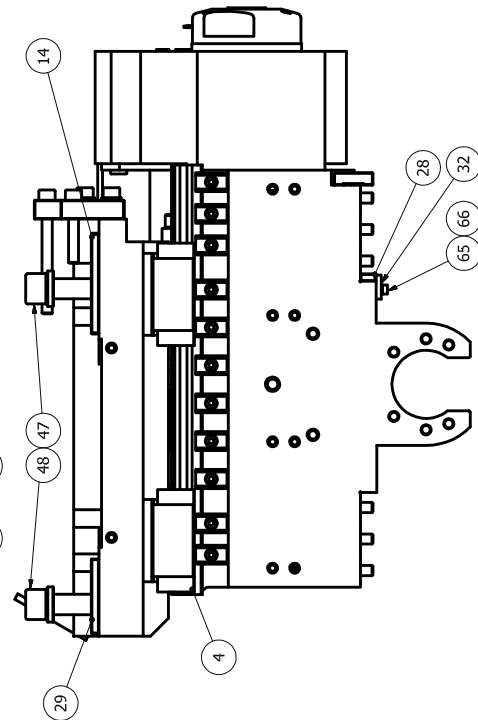
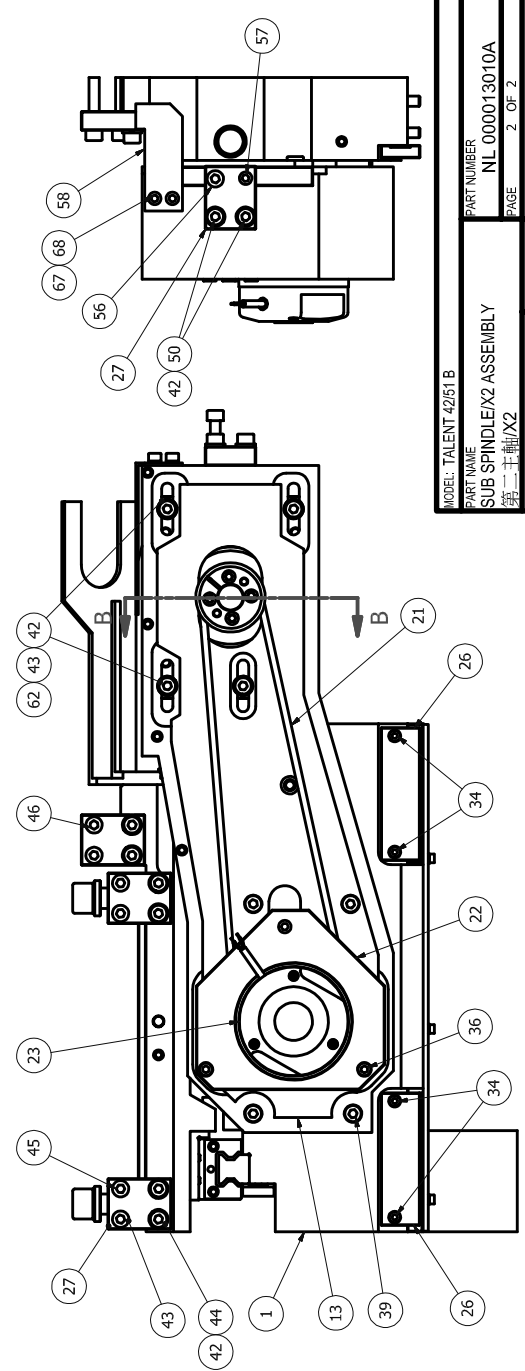
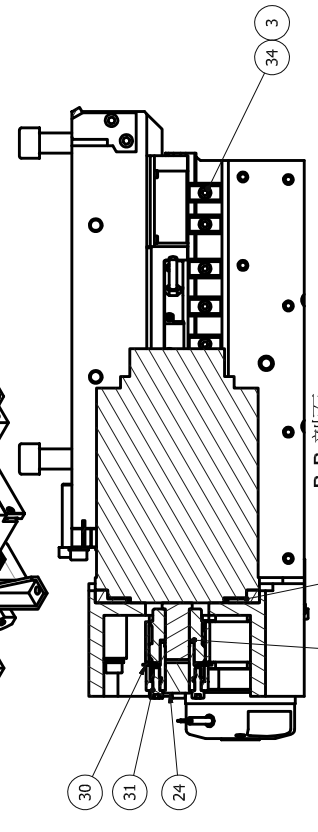
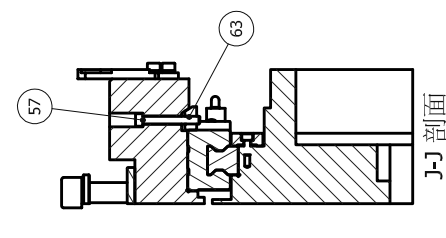
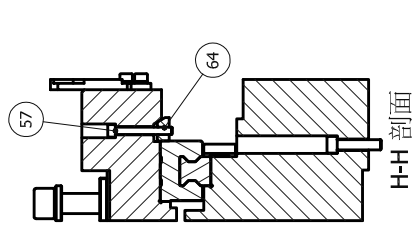
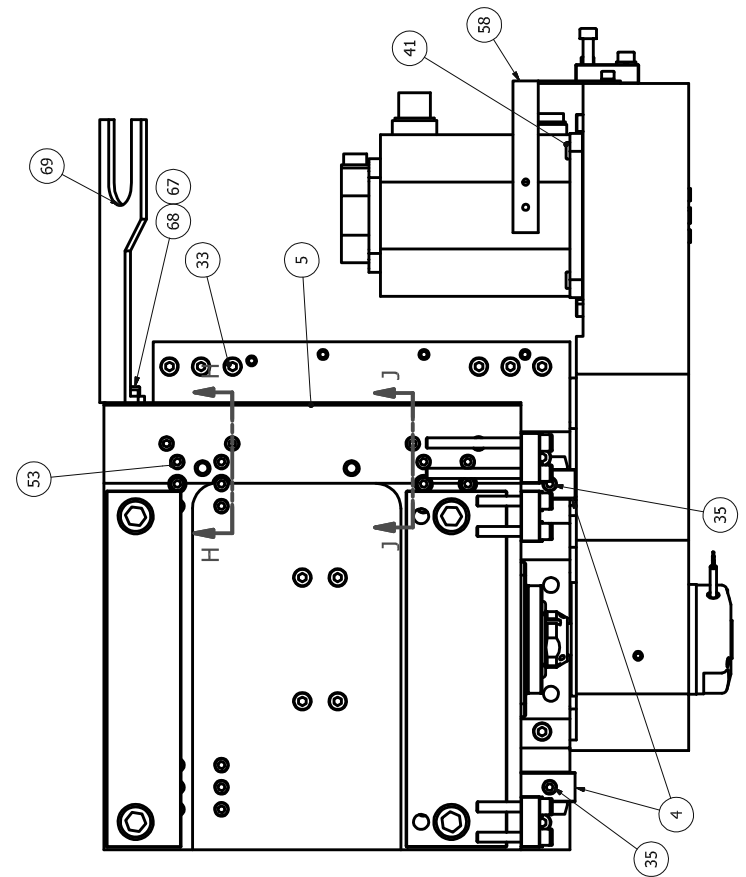
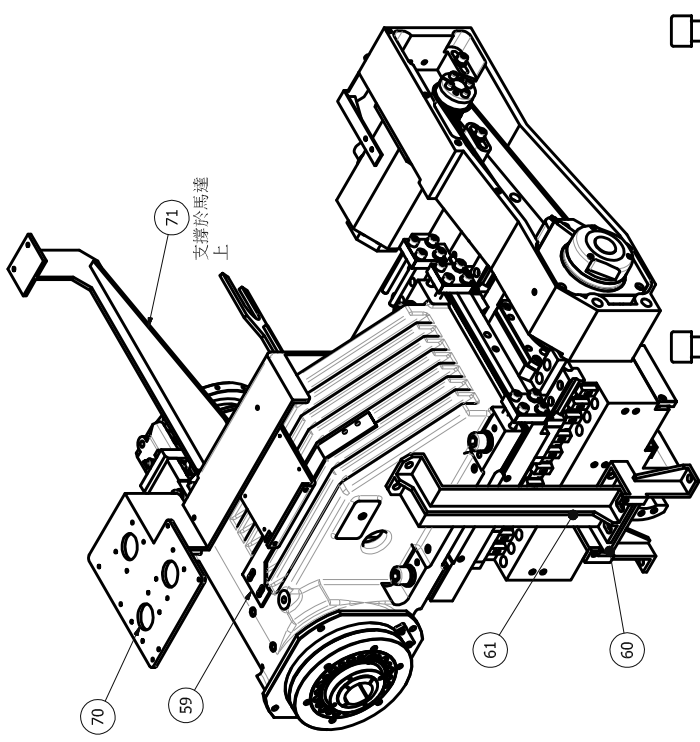
PRODUCT BOM MASTER AND SUB-ITEMS LIST

Master Item Part NO.: NL 000013005A

Description: SUB SPINDLE/TAILSTOCK ASSEMBLY
第二主軸/尾座

Item	Part NO.	Description	中文名稱	Specification	Qty	Unit
1.06	NL 000040100A	E-SLIDE	E軸滑板	L395XW415XH416	1.00	EA
2.00	MS 0103821	SOCKET HEAD CAP SCREW	六角穴圓頭螺絲	M8XP1.25XL35	24.00	EA
3.03	NL 000022102A	SPACER, SUB-SPINDLE	副主軸調整塊	L282*W80*H6	2.00	EA
4.01	NL 000022101A	SPACER, SPINDLE	固定塊	L50*W40*H15	3.00	EA
5.01	NL 001059001A	RETAINER, WEDGE	楔塊	L105XW31XH10	2.00	EA
6.00	MS 0103516	SOCKET HEAD CAP SCREW	六角穴圓頭螺絲	M5XP0.8XL12	4.00	EA
7.00	MW 0183810	SPRING WASHER	彈簧墊圈	M8(HEAT TREATMENT)	9.00	EA
8.00	MS 0103824	SOCKET HEAD CAP SCREW	六角穴圓頭螺絲	M8XP1.25XL50	2.00	EA
9.00	MS 0103820	SOCKET HEAD CAP SCREW	六角穴圓頭螺絲	M8XP1.25XL30	6.00	EA
10.00	MS 0133824	SOCKET HEAD CAP SCREW	六角穴圓頭螺絲	M8XP1.25XL50(FULL THREAD)	2.00	EA
11.00	MN 0113810	HEXAGON NUT	六角螺帽	M8XP1.25	4.00	EA
12.00	MS 0103831	SOCKET HEAD CAP SCREW	六角穴圓頭螺絲	M8XP1.25XL90	2.00	EA
13.00	NL 001108301A	WASHER	墊圈(M16 WASHER)	D30XD16.5XT6(M16 WASHER)	4.00	EA
15.00	MS 0104628	SOCKET HD. CAP SCREW	六角穴圓頭螺絲	M16XP2.0XL70	4.00	EA
16.01	MW 0184610	SPRING WASHER	彈簧墊圈	M16(HEAT TREATMENT)	4.00	EA
17.00	NL 000399073A	E AXIS SHIPPING,BRACKET	E軸出機固定架	TEMP	1.00	EA
18.00	MW 0103810	FLAT WASHER	平墊圈	M8 (D8*D22.2)	2.00	EA





PRODUCT BOM MASTER AND SUB-ITEMS LIST

Master Item Part NO.: NL 000013010A

Description: SUB SPINDLE/X2 ASSEMBLY

第二主軸/X2

Item	Part NO.	Description	中文名稱	Specification	Qty	Unit
1.01	NL 000195402A	SADDLE, X2-AXIS	X2軸鞍座	L593XW495XH155.5	1.00	EA
2.01	NL 001117601A	SEAT ,BEARING	軸承座	L128XW49XH78	1.00	EA
3.01	NL 001059011A	RETAINER, WEDGE	楔塊	L15XW25XH10	22.00	EA
4.00	NL 000831605A	LINEAR GUIDE, X2-AXIS	X2軸線性滑軌	[SCHNEEBERGER]MR25C2-340-20/20	1.00	ST
5.01	NL 000720202A	X2-SLIDE	X2軸滑板	L339XW300XH149.5	1.00	EA
6.00	NV 00002660137	BEARING, BALL SCREW SUPPORT	滾珠導桿斜角滾珠軸承	NSK 25TAC62BDTC10PN7B (2/SET)	2.00	ST
7.00	NL 000190204A	X2,BALL SCREW	X2軸滾珠導螺桿	[PMI]R32-8T5-FSDC-140-430	1.00	ST
8.00	NV 000179920J	SPACER, SUPPORT BRG	間隔圈	D47XD25XL11	2.00	EA
9.01	NL 001066109A	SEAT, BALL SCREW	X2軸導桿托架	L410XW310XH30	1.00	EA
10.01	NL 001011588A	COVER,BEARING SEAT	軸承座蓋	D87XD47.4XW11	2.00	EA
11.00	NL 000049200A	LOCKNUT	鎖緊螺帽	[HSIANG KAI]SFZ25X1.5P	2.00	EA
12.01	NL 001117602A	SEAT ,BEARING	軸承座	L122XW118XH48	1.00	EA
13.01	NL 001066111A	SEAT, MOTOR(X2-AXIS)	馬達座(X2軸)	L188XW188XH149	1.00	EA
14.01	NL 000022102A	SPACER, SUB-SPINDLE	副主軸調整塊	L282*W80*H6	1.00	EA
15.01	NL 001066112A	SEAT, MOTOR(X2-AXIS)	馬達座(X2軸)	L188XW188XH149	1.00	EA
16.00	NL 00002660106	BALL BEARING	單列深槽滾珠軸承	6304-2RS1	1.00	EA
17.00	NL 00082310104	RING, C-RETAINING	C型內扣環	R-50	1.00	EA
18.01	NL 000317702A	PULLEY, X2-AXIS	X2軸齒帶輪	D112.33XD48XL110	1.00	EA
19.01	NL 000317703A	PULLEY, X2-AXIS MOTOR	X2軸馬達齒帶輪	D112.33XD48XL110	1.00	EA

PRODUCT BOM MASTER AND SUB-ITEMS LIST

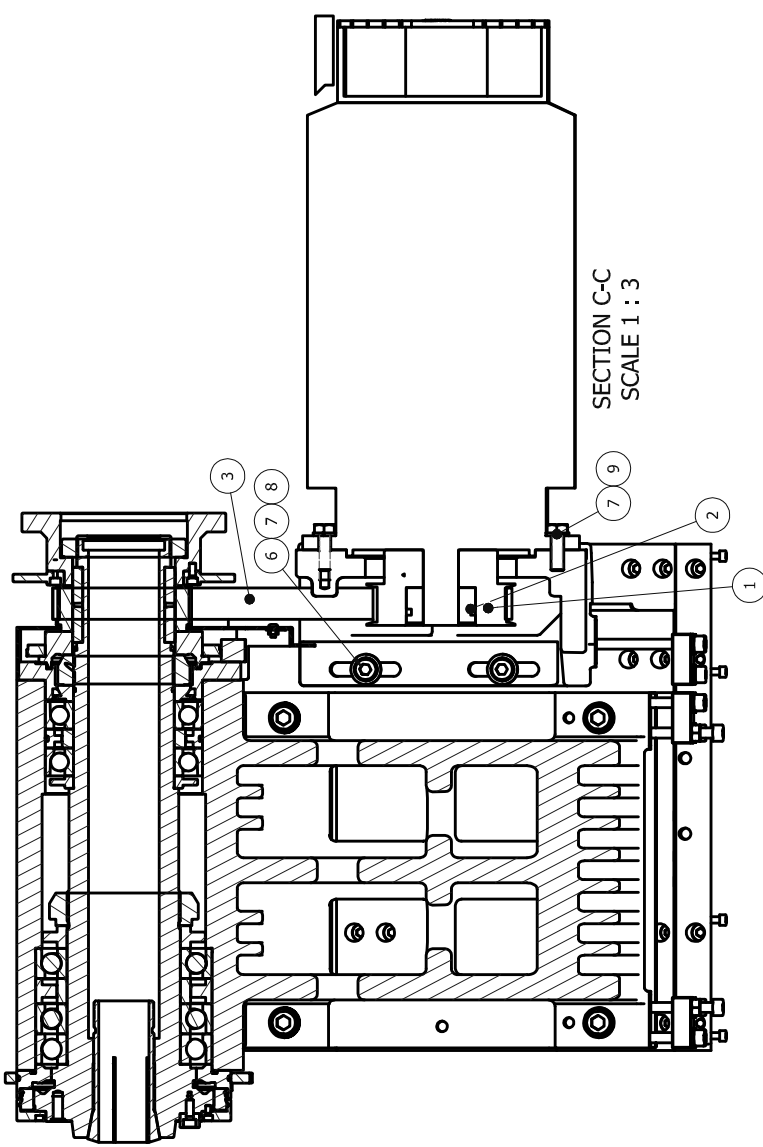
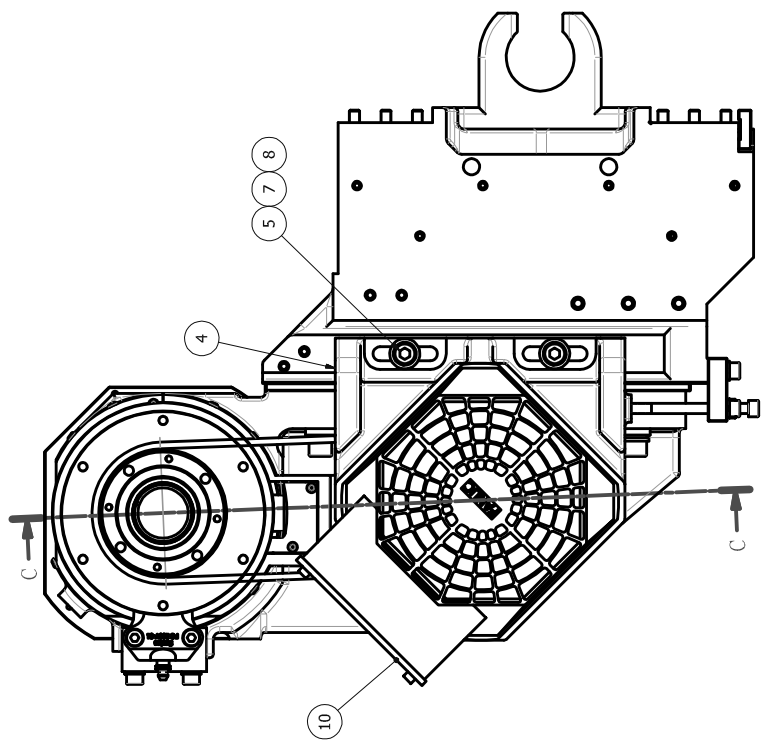
Item	Part NO.	Description	中文名稱	Specification	Qty	Unit
20.00	NL 001179205A	FLANGE	迫緊環	SES-20	1.00	EA
21.00	NL 00033460103	HERRINGBONE-BELT	人字齒型皮帶	[EAGLE]EG-W-896	1.00	ST
22.01	NL 001066133A	SEAT, BRAKE	煞車固定座	L149XW142XH17	1.00	EA
23.00	NL 001046202A	BRAKE	電磁式安全剎車	ROBA-STOP-M 4/891.100.1/24/15	1.00	ST
24.01	NL 000403803A	SHAFT, PULLEY, X2	X2齒帶輪平衡軸	D6XL9.5	1.00	EA
25.01	NL 000691602A	BUMPER	止動環	D70XD34XL27	2.00	EA
26.00	NL 001059001A	RETAINER, WEDGE	楔塊	L105XW31XH10	2.00	EA
27.00	NL 000022101A	SPACER, SPINDLE	固定塊	L50*W40*H15	4.00	EA
28.01	NL 000648102A	GIB, GUIDE TRUCK	調整板	L110XW15XH10	2.00	EA
29.01	NL 000022105A	SPACER,X2 AXIS SUB-SPINDLE	X2軸副主軸調整塊	L282*W59*H6	1.00	EA
30.01	NL 000317710A	FLANGE, PULLEY	X2齒帶輪擋片	D55XD27XL2	1.00	EA
31.00	NL 001179210A	FLANGE	迫緊環	SB-19	1.00	EA
32.01	NL 000399031A	PLATE	壓板	HT060DN5	1.00	EA
33.00	MS 0103821	SOCKET HEAD CAP SCREW	六角穴圓頭螺絲	M8XP1.25XL35	24.00	EA
34.00	MS 0103516	SOCKET HEAD CAP SCREW	六角穴圓頭螺絲	M5XP0.8XL12	26.00	EA
35.00	MS 0103619	SOCKET HEAD CAP SCREW	六角穴圓頭螺絲	M6XP1.0XL25	22.00	EA
36.00	MS 0103618	SOCKET HEAD CAP SCREW	六角穴圓頭螺絲	M6XP1.0XL20	3.00	EA
37.00	MS 0103819	SOCKET HEAD CAP SCREW	六角穴圓頭螺絲	M8XP1.25XL25	6.00	EA
38.00	MS 0103617	SOCKET HEAD CAP SCREW	六角穴圓頭螺絲	M6XP1.0XL16	14.00	EA
39.00	MS 0103822	SOCKET HEAD CAP SCREW	六角穴圓頭螺絲	M8XP1.25XL40	4.00	EA
40.00	MS 0303518	BUTTON HD. SOCKET	六角穴半圓頭螺絲	M5XP0.8XL20	8.00	EA
41.00	MS 0103817	SOCKET HEAD CAP SCREW	六角穴圓頭螺絲	M8XP1.25XL16	4.00	EA

PRODUCT BOM MASTER AND SUB-ITEMS LIST

Item	Part NO.	Description	中文名稱	Specification	Qty	Unit
42.00	MW 0183810	SPRING WASHER	彈簧墊圈	M8(HEAT TREATMENT)	12.00	EA
43.00	MS 0103824	SOCKET HEAD CAP SCREW	六角六圓頭螺絲	M8XP1.25XL50	10.00	EA
44.00	MS 0103820	SOCKET HEAD CAP SCREW	六角六圓頭螺絲	M8XP1.25XL30	6.00	EA
45.00	MS 0133824	SOCKET HEAD CAP SCREW	六角六圓頭螺絲	M8XP1.25XL50(FULL THREAD)	2.00	EA
46.00	MS 0133831	SOCKET HEAD CAP SCREW	六角六圓頭螺絲	M8XP1.25XL90(FULL THREAD)	2.00	EA
47.01	MS 0104627	SOCKET HD. CAP SCREW	六角六圓頭螺絲	M16XP2.0XL65	4.00	EA
48.00	NL 001108301A	WASHER	墊圈(M16 WASHER)	D30XD16.5XT6(M16 WASHER)	4.00	EA
50.00	MS 0103818	SOCKET HEAD CAP SCREW	六角六圓頭螺絲	M8XP1.25XL20	2.00	EA
51.00	BL 000691605A	BUMPER, 6"CHUCK	6"夾頭止動環	D15.88XD6.6XL11.4	1.00	EA
52.00	MS 0313617	SOCKET FLAT HEAD SCREW	六角六平頭螺絲	M6XP1.0XL16	1.00	EA
53.00	MS 0103622	SOCKET HEAD CAP SCREW	六角六圓頭螺絲	M6XP1.0XL40	24.00	EA
55.00	BL 00094310106	O-RING	O型油環	[JIS]P6	2.00	EA
56.00	MS 0103826	SOCKET HEAD CAP SCREW	六角六圓頭螺絲	M8XP1.25XL60全牙	1.00	EA
57.00	MS 0103623	SOCKET HEAD CAP SCREW	六角六圓頭螺絲	M6XP1.0XL45	5.00	EA
58.00	NL 000499099A	BRACKET	分配器支架	TEMP	1.00	EA
60.00	NL 000599025A	BRACKET	Z2軸出機固定架	TEMP	1.00	EA
61.00	NL 000599026A	BRACKET	X2軸出機固定架	TEMP	1.00	EA
62.00	MW 0103810	FLAT WASHER	平墊圈	M8 (D8*D22.2)	4.00	EA
63.00	NL 001059010A	RETAINER, WEDGE	楔塊	L105XW31XH10	1.00	EA
64.01	NL 001059012A	RETAINER, WEDGE	楔塊	L72XW18.5XH9.5	1.00	EA
65.00	MS 0103416	SOCKET HEAD CAP SCREW	六角六圓頭螺絲	M4XP0.7XL12	3.00	EA
66.00	MW 0183410	SPRING WASHER	彈簧墊圈	M4(HEAT TREATMENT)	3.00	EA

PRODUCT BOM MASTER AND SUB-ITEMS LIST

Item	Part NO.	Description	中文名稱	Specification	Qty	Unit
67.00	MW 0183610	SPRING WASHER	彈簧墊圈	M6(HEAT TREATMENT)	4.00	EA
68.00	MS 0103616	SOCKET HEAD CAP SCREW	六角六圓頭螺絲	M6XP1.0XL12	4.00	EA
69.00	NL 000399030A	BRACKET	迴轉缸支架	HT060DN6	1.00	EA
73.00	NL 00061150105	SUNK KEY	(雙圓頭鍵)平行鍵	W5*H5*L6	1.00	EA



MODEL: TALENT 4251 B	PART NUMBER	NL 000000202A
PART NAME	PAGE	1 OF 1
SUB-SPINDLE TRANSMISSION	SCALE	1:2
副主軸傳動(FAANIC)	REV.	A
DATE		2015/7/3

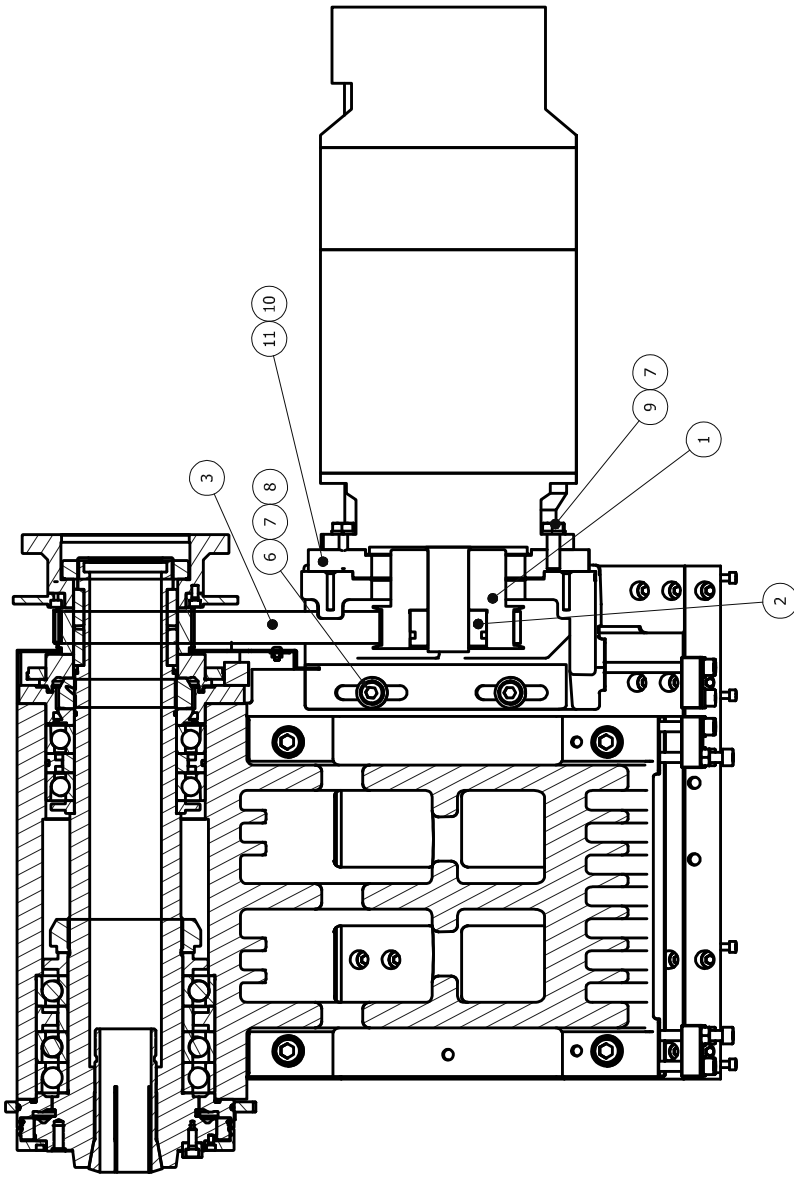
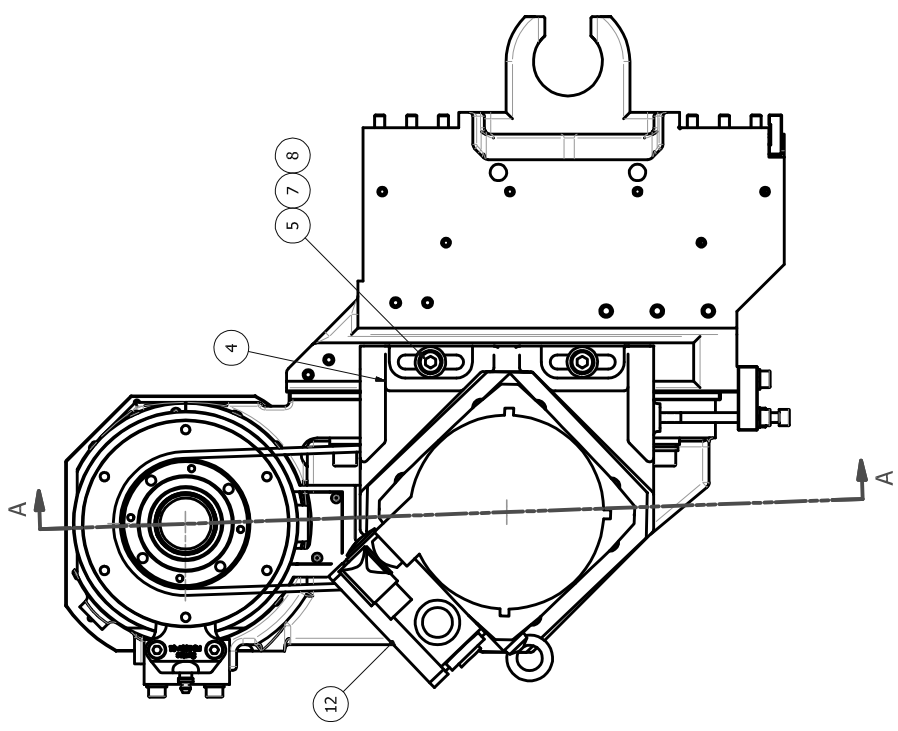
PRODUCT BOM MASTER AND SUB-ITEMS LIST

Master Item Part NO.: NL 000000202A

Description: SUB-SPINDLE (FANUC)
第二主軸傳動 (FANUC)

Item	Part NO.	Description	中文名稱	Specification	Qty	Unit
1.01	NL 000317701A	PULLEY, MOTOR	副主軸馬達齒帶輪	D118XD28XL60	1.00	EA
2.00	NL 001179202A	FLANGE	迫緊環	SDS D55XD28XL28	1.00	EA
3.00	NL 00033460102	TIMING BELT	齒形皮帶	[CONTI]848-SUPERME-S8M-25	1.00	EA
4.01	NL 0010666108A	SEAT, MOTOR, SUB-SPINDLE	副主軸馬達座	L240XW230XH118	1.00	ST
5.00	MS 0104022	SOCKET HEAD CAP SCREW	六角穴圓頭螺絲	M10XP1.5XL40	2.00	EA
6.00	MS 0104023	SOCKET HEAD CAP SCREW	六角穴圓頭螺絲	M10XP1.5XL45	2.00	EA
7.00	MW 0184010	SPRING WASHER	彈簧墊圈	M10(HEAT TREATMENT)	8.00	EA
8.03	MW 0104013	FLAT WASHER	平墊圈(加厚)	M10(D24XT4)	4.00	EA
9.00	MS 0154020	HEX HD. FULL THD	六角頭螺絲	M10XP1.5XL30, ST12.9	4.00	EA
10.00	NV 000199099A	GROUD PLATE, SPINDLE MOTER	主軸馬達接地板	L72.5XW55XH2.3	1.00	EA
11.00	MW 0104013	FLAT WASHER	平墊圈(加厚)	M10(D24XT4)	2.00	EA

款号	设计变更单号	日期	ECN
A	20160724	20160724	000020
B	20160718	20160718	000135



SECTION A-A
SCALE 1 / 3

MODEL: TALENT 42/51 B	PART NUMBER	SCALE	REV.
SUB-SPINDLE TRANSMISSION	NL 000000204A	1.3	B
副主轴传动(SIEMENS)			
DATE: 2015/7/3	PAGE	1 OF 1	

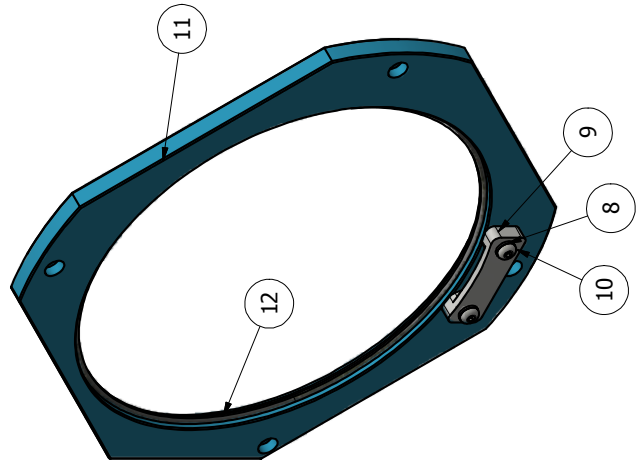
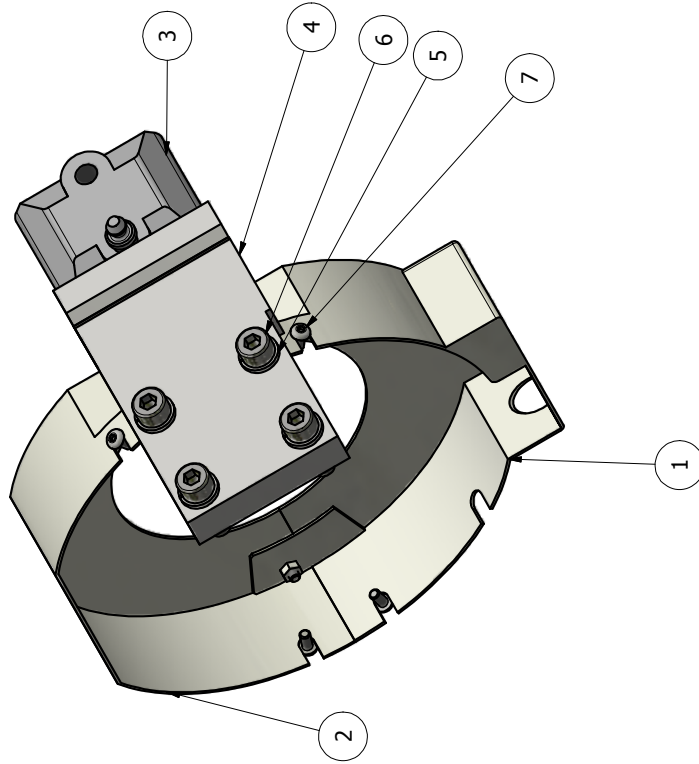
PRODUCT BOM MASTER AND SUB-ITEMS LIST

Master Item Part NO.: NL 000000204A

Description: SUB-SPINDLE (SIEMENS)
第二主軸傳動 (SIEMENS)

Item	Part NO.	Description	中文名稱	Specification	Qty	Unit
1.02	NL 000317706A	PULLEY, MOTOR(SIEMENS)	副主軸馬達齒帶輪(SIEMENS)	D118XD28XL80	1.00	EA
2.00	NL 001179206A	FLANGE	迫緊環	SDS D60XD32XL34	1.00	EA
3.00	NL 00033460102	TIMING BELT	齒形皮帶	[CONTI]848-SUPERME-S8M-25	1.00	EA
4.01	NL 0010666108A	SEAT, MOTOR, SUB-SPINDLE	副主軸馬達座	L240XW230XH118	1.00	ST
5.00	MS 0104022	SOCKET HEAD CAP SCREW	六角穴圓頭螺絲	M10XP1.5XL40	2.00	EA
6.00	MS 0104023	SOCKET HEAD CAP SCREW	六角穴圓頭螺絲	M10XP1.5XL45	2.00	EA
7.00	MW 0184010	SPRING WASHER	彈簧墊圈	M10(HEAT TREATMENT)	8.00	EA
8.03	MW 0104013	FLAT WASHER	平墊圈(加厚)	M10(D24XT4)	4.00	EA
9.00	MS 0154020	HEX HD. FULL THD	六角頭螺絲	M10XP1.5XL30, ST12.9	4.00	EA
10.00	MS 0103818	SOCKET HEAD CAP SCREW	六角穴圓頭螺絲	M8XP1.25XL20	8.00	EA
11.01	NL 0010666123A	PLATE, MOTOR(SUB-SPINDLE)	馬達轉接板-副主軸	L180XW180XH25	1.00	EA
12.00	NV 000199099A	GROUD PLATE, SPINDLE MOTER	主軸馬達接地板	L72.5XW55XH2.3	1.00	EA

次序	設計變更紀錄	日期	ECN.
A	新增	2018/5/29	
B	因次裝BOM新增11及12號零件	2018/10/22	



MODEL: TALENT 42/51

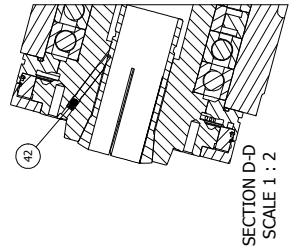
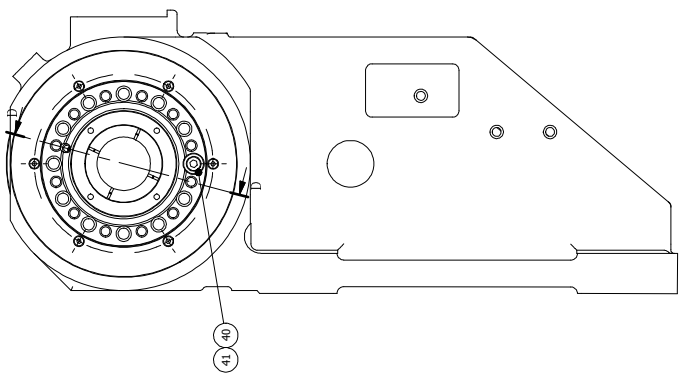
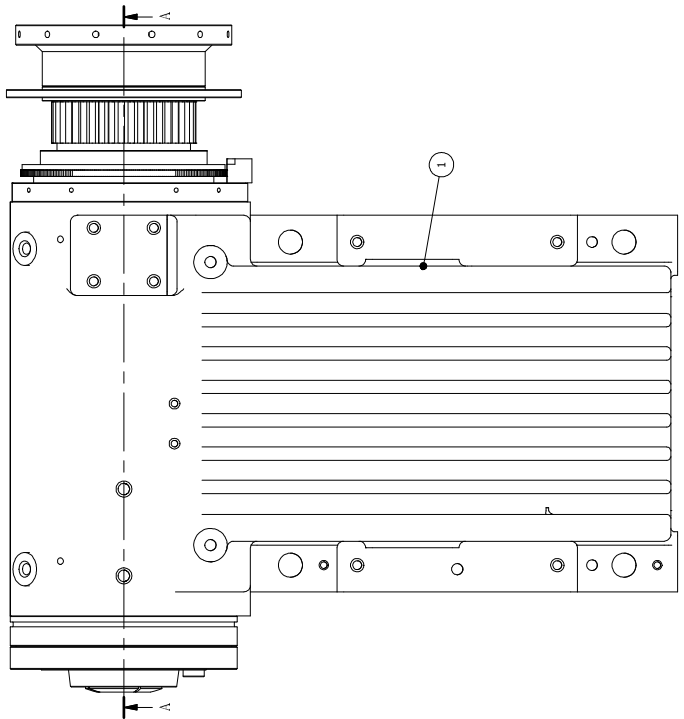
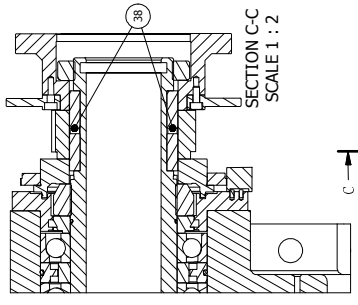
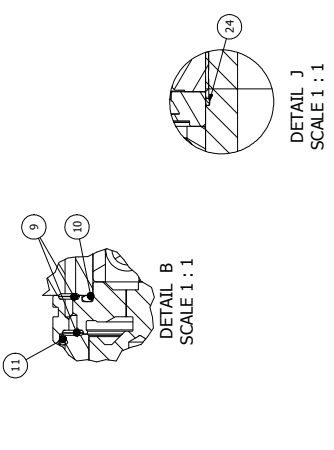
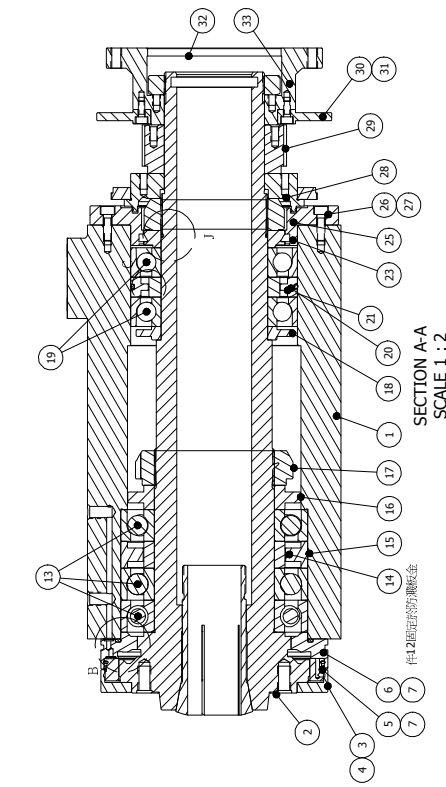
PART NAME	PART NUMBER
SUB SPINDLE(A2-5)	NL_000015715A
第二主軸套筒 (共用件)	PAGE 1 OF 1
DATE 2018/5/29	SCALE 1 : 1
	REV. B

PRODUCT BOM MASTER AND SUB-ITEMS LIST

Master Item Part NO.: NL 000015715A

Description: CARTRIDGE SUB. (COMMON PARTS)
第二主軸套筒 (共用件)

Item Part NO.	Description	中文名稱	Specification	Qty	Unit
1.00 NL 000699082A	COVER OF ENCODER, SUB-SPINDLE	感應尺防塵下蓋(副主軸)	HT060DF0	1.00	EA
2.00 NL 000699081A	COVER OF ENCODER, SUB-SPINDLE	感應尺防塵上蓋(副主軸)	HT060DE9	1.00	EA
3.00 NL 001046201A	BRAKE	蝶式剎車	SUNTES PC-200Y-01	1.00	ST
4.00 NL 001066131A	SEAT, BRAKE	煞車固定座	L123XW65XH53	1.00	EA
5.00 MW 0183810	SPRING WASHER	彈簧墊圈	M8(HEAT TREATMENT)	6.00	EA
6.00 MS 0103820	SOCKET HEAD CAP SCREW	六角六圓頭螺絲	M8XP1.25XL30	6.00	EA
7.00 MS 0303414	BUTTON HD. SOCKET	六角六半圓頭螺絲	M4XP0.7XL8	5.00	EA
8.00 MW 0183410	SPRING WASHER	彈簧墊圈	M4(HEAT TREATMENT)	2.00	EA
9.00 NL 000199015A	COVER, DRAIN, SUB-SPINDLE	洩油孔護蓋(副主軸)	HT060DD4	1.00	EA
10.00 MS 0303416NI	BUTTON HD. SOCKET(NICKEL)	六角六半圓頭螺絲(鍍鎳)	M4XP0.7XL12	2.00	EA
11.00 NL 001011593A	COVER,SUB-SPINDLE	副主軸防水蓋	L200XW194XH8.6	1.00	EA
12.00 NL 00094310107	O-RING	O型油環	OR040AS165	1.00	EA



PRODUCT BOM MASTER AND SUB-ITEMS LIST

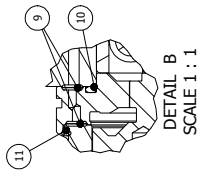
Master Item Part NO.: NL 000015712A

Description: SUB SPINDLE(A2-5 16C,FANUC)
第二主軸套筒(A2-5 16C FANUC)

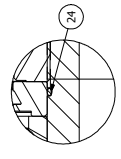
Item Part NO.	Description	中文名稱	Specification	Qty	Unit
1.10	NL 000026401A HEADSTOCK,SUB -SPINDLE	副主軸箱	L495XW310XH192	1.00	EA
2.03	NL 000028308A SUB SPINDLE 16C(A2-5)	副主軸16C(A2-5)	D154XD77XL480	1.00	EA
3.03	NL 001011591A COVER,SPINDLE	副主軸防水環	D170XD125XL22.5	1.00	EA
4.00	MS 0103414 SOCKET HEAD CAP SCREW	六角穴圓頭螺絲	M4XP0.7XL8	6.00	EA
5.01	NL 001011501A COVER,SUB-SPINDLE	副主軸防水蓋	D170XD143.2XT14.5	1.00	EA
6.02	NL 001011592A BEARING, RETAINER	副主軸前蓋	D169.6XD115.2XL37.5	1.00	EA
7.00	MS 0103418 SOCKET HEAD CAP SCREW	六角穴圓頭螺絲	M4XP0.7XL20	12.00	EA
9.00	NV 00094310126 O-RING	O型油環	[JIS] P4	2.00	EA
10.00	BL 00094310201 O-RING	O型油環	[JIS]G140	1.00	EA
11.00	NL 00094310105 O-RING	O型油環	OR040AS164	1.00	EA
13.00	NL 00002660103 BEARING, SPINDLE	主軸斜角滾珠軸承	[NSK] 90BNR10ETYNDBDEL P4(3個1組)	1.00	EA
14.00	BL 000179918A INTERNAL SPACE, 7018 BEARING	內間隔圈	D106XD90XL20	1.00	EA
15.00	BL 000179917A EXTERNAL SPACE, 7018 BEARING	外間隔圈	D140XD106.6XL20	1.00	EA
16.00	BL 000179919A SPACE, LOCK NUT	間隔圈	D129.4XD90XL18	1.00	EA
17.00	BLA000049203A LOCKNUT	鎖緊螺帽(MF-90-雙面研磨)	M90X2[SHIANG KAI]	1.00	EA
18.01	NL 000179923A SPACE, REAR BEARING	後間隔圈	D117XD80XL10	1.00	EA
19.00	NL 00002660104 BEARING, SPINDLE	主軸斜角滾珠軸承	[NSK] 80BNR10STYNDBLP4(2個1組)	1.00	EA
20.01	NL 000179924A INTERNAL SPACER, SPINDLE	內間隔圈	D98XD80XL15	1.00	EA
21.01	NL 000179925A EXTERNAL SPACE	外間隔圈	D125XD110XL15	1.00	EA

PRODUCT BOM MASTER AND SUB-ITEMS LIST

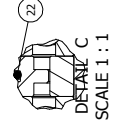
Item	Part NO.	Description	中文名稱	Specification	Qty	Unit
22.00	NV 00094310201	O-RING	O型油環	[JIS] G120	1.00	EA
23.00	BL 000179921A	SPACE, REAR BEARING	後軸承間隔圈	D105.8XD80XL13	1.00	EA
24.00	BL 00094310306	O-RING	O型油環	[NOK] S75	1.00	EA
25.00	BL 000049202A	LOCKNUT	鎖緊螺帽(M80-雙面研磨)	[SHIANG KAJ]M80X2(GRINDING)	1.00	EA
26.02	NL 001011537A	RETAINER,REAR BEARING	主軸後蓋	D186XD106XL28.35	1.00	EA
27.00	MS 0103618	SOCKET HEAD CAP SCREW	六角穴圓頭螺絲	M6XP1.0XL20	6.00	EA
28.01	NL 000317752A	SEAT, ENCODER	感應尺座 (FANUC-CS)	D131XD75XL30.8	1.00	EA
29.01	NL 000317743A	PULLEY, SPINDLE(C-AXIS,TWO	副主軸齒帶輪(C軸、兩段變速)	P43-S8M-25	1.00	EA
30.01	NL 000807103A	BRAKE DISK	煞車盤	D176XD93.6X11	1.00	EA
31.00	MS 0103516	SOCKET HEAD CAP SCREW	六角穴圓頭螺絲	M5XP0.8XL12	6.00	EA
32.01	NL 000317741A	SEAT,ROTARY HYDRAULIC CYLINDER	旋轉油壓缸座	D162XD76XT57.5	1.00	EA
33.01	NL 000049201A	LOCKNUT	鎖緊螺帽	M75XP2	1.00	EA
38.00	NL 00061150102	SUNK KEY	(雙圓頭鍵)平行鍵	W12*H8*L60	2.00	EA
40.00	BL 000691605A	BUMPER, 6"CHUCK	6"夾頭止動環	D15.88XD6.6XL11.4	1.00	EA
41.00	MS 0103617	SOCKET HEAD CAP SCREW	六角穴圓頭螺絲	M6XP1.0XL16	1.00	EA
42.01	NL 000048004A	SCREW, COLLET KEY	筒夾止動螺絲	D6XL50	1.00	EA



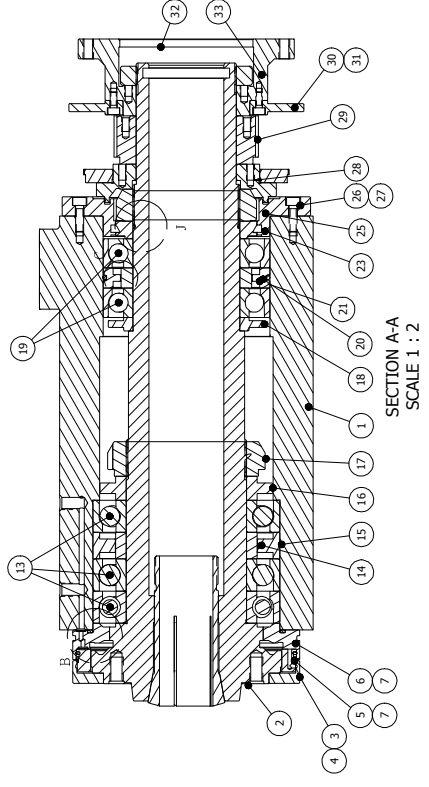
DETAIL B
 SCALE 1 : 1



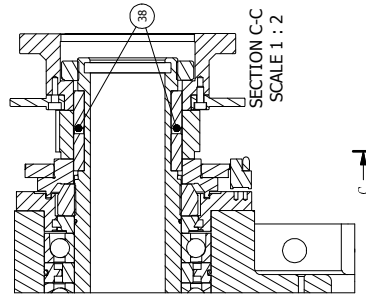
DETAIL J
 SCALE 1 : 1



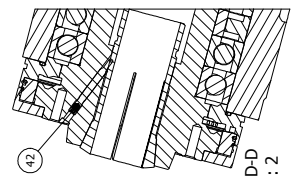
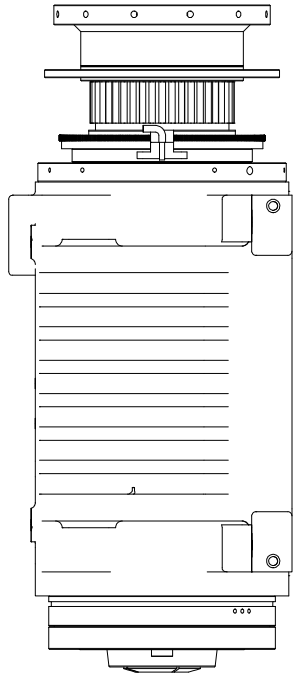
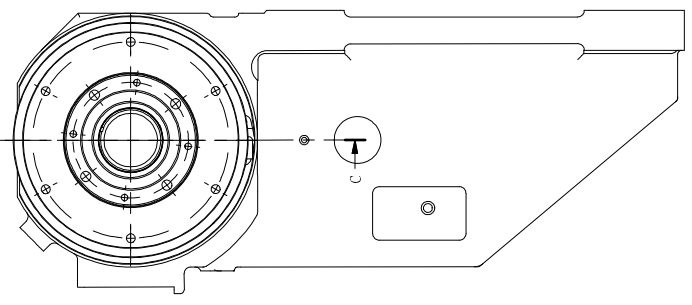
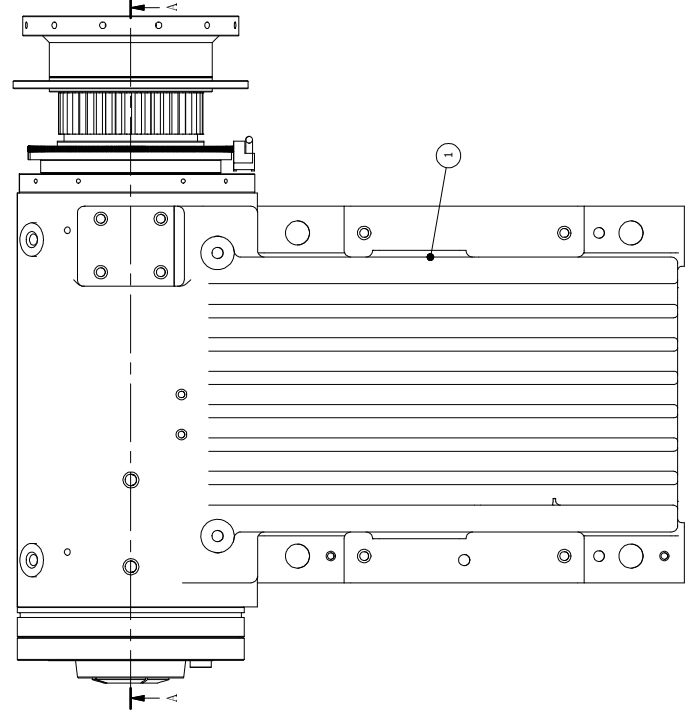
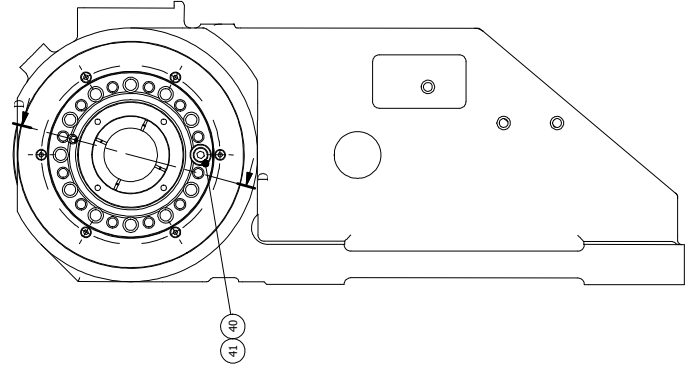
DETAIL C
 SCALE 1 : 1



SECTION A-A
 SCALE 1 : 2



SECTION C-C
 SCALE 1 : 2



SECTION D-D
 SCALE 1 : 2

PRODUCT BOM MASTER AND SUB-ITEMS LIST

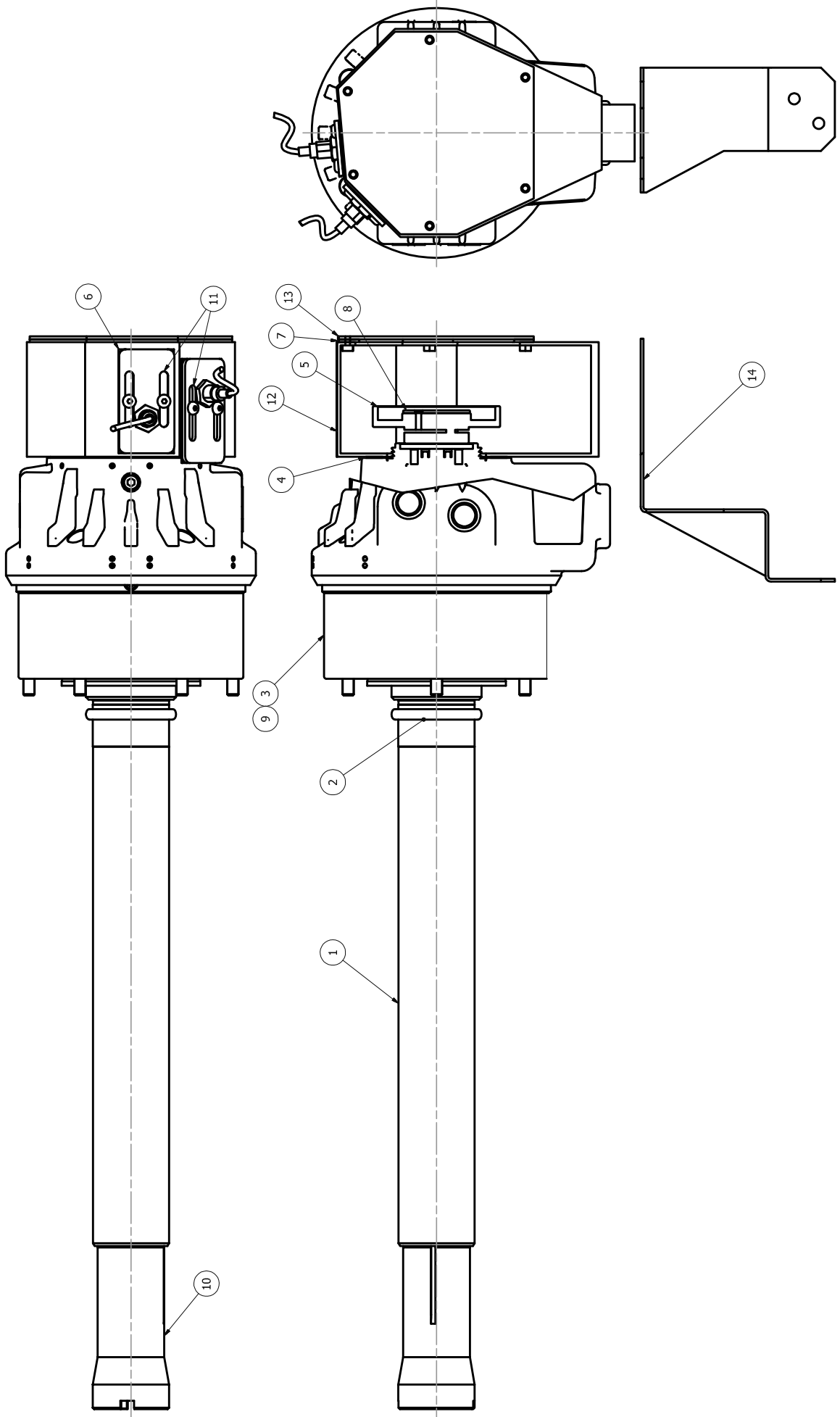
Master Item Part NO.: NL 000015724A

Description: SUB-SPINDLE (A2-5 16C,SIEMENS)
第二主軸 (A2-5 16C,SIEMENS)

Item Part NO.	Description	中文名稱	Specification	Qty	Unit
1.10	NL 000026401A HEADSTOCK,SUB -SPINDLE	副主軸箱	L495XW310XH192	1.00	EA
2.03	NL 000028308A SUB SPINDLE 16C(A2-5)	副主軸16C(A2-5)	D154XD77XL480	1.00	EA
3.03	NL 001011591A COVER,SPINDLE	副主軸防水環	D170XD125XL22.5	1.00	EA
4.00	MS 0103414 SOCKET HEAD CAP SCREW	六角穴圓頭螺絲	M4XP0.7XL8	6.00	EA
5.01	NL 001011501A COVER,SUB-SPINDLE	副主軸防水蓋	D170XD143.2XT14.5	1.00	EA
6.02	NL 001011592A BEARING, RETAINER	副主軸前蓋	D169.6XD115.2XL37.5	1.00	EA
7.00	MS 0103418 SOCKET HEAD CAP SCREW	六角穴圓頭螺絲	M4XP0.7XL20	12.00	EA
9.00	NV 00094310126 O-RING	O型油環	[JIS] P4	2.00	EA
10.00	BL 00094310201 O-RING	O型油環	[JIS]G140	1.00	EA
11.00	NL 00094310105 O-RING	O型油環	OR040AS164	1.00	EA
13.00	NL 00002660103 BEARING, SPINDLE	主軸斜角滾珠軸承	[NSK] 90BNR10ETYNDBDEL P4(3個1組)	1.00	EA
14.00	BL 000179918A INTERNAL SPACE, 7018 BEARING	內間隔圈	D106XD90XL20	1.00	EA
15.00	BL 000179917A EXTERNAL SPACE, 7018 BEARING	外間隔圈	D140XD106.6XL20	1.00	EA
16.00	BL 000179919A SPACE, LOCK NUT	間隔圈	D129.4XD90XL18	1.00	EA
17.00	BLA000049203A LOCKNUT	鎖緊螺帽(MF-90-雙面研磨)	M90X2[SHIANG KAI]	1.00	EA
18.01	NL 000179923A SPACE, REAR BEARING	後間隔圈	D117XD80XL10	1.00	EA
19.00	NL 00002660104 BEARING, SPINDLE	主軸斜角滾珠軸承	[NSK] 80BNR10STYNDL P4(2個1組)	1.00	EA
20.01	NL 000179924A INTERNAL SPACER, SPINDLE	內間隔圈	D98XD80XL15	1.00	EA
21.01	NL 000179925A EXTERNAL SPACE	外間隔圈	D125XD110XL15	1.00	EA

PRODUCT BOM MASTER AND SUB-ITEMS LIST

Item	Part NO.	Description	中文名稱	Specification	Qty	Unit
22.00	NV 00094310201	O-RING	O型油環	[JIS] G120	1.00	EA
23.00	BL 000179921A	SPACE, REAR BEARING	後軸承間隔圈	D105.8XD80XL13	1.00	EA
24.00	BL 00094310306	O-RING	O型油環	[NOK] S75	1.00	EA
25.00	BL 000049202A	LOCKNUT	鎖緊螺帽(M80-雙面研磨)	[SHIANG KAJ]M80X2(GRINDING)	1.00	EA
26.02	NL 001011537A	RETAINER,REAR BEARING	主軸後蓋	D186XD106XL28.35	1.00	EA
27.00	MS 0103618	SOCKET HEAD CAP SCREW	六角穴圓頭螺絲	M6XP1.0XL20	6.00	EA
28.01	NL 000317756A	SEAT, ENCODER	副主軸感應尺座 (SIEMENS)	D135XD75XL30.8	1.00	EA
29.01	NL 000317743A	PULLEY, SPINDLE(C-AXIS, TWO	副主軸齒帶輪(C軸、兩段變速)	P43-S8M-25	1.00	EA
30.01	NL 000807103A	BRAKE DISK	煞車盤	D176XD93.6X11	1.00	EA
31.00	MS 0103516	SOCKET HEAD CAP SCREW	六角穴圓頭螺絲	M5XP0.8XL12	6.00	EA
32.01	NL 000317741A	SEAT,ROTARY HYDRAULIC CYLINDER	旋轉油壓缸座	D162XD76XT57.5	1.00	EA
33.01	NL 000049201A	LOCKNUT	鎖緊螺帽	M75XP2	1.00	EA
38.00	NL 00061150102	SUNK KEY	(雙圓頭鍵)平行鍵	W12*H8*L60	2.00	EA
40.00	BL 000691605A	BUMPER, 6"CHUCK	6"夾頭止動環	D15.88XD6.6XL11.4	1.00	EA
41.00	MS 0103617	SOCKET HEAD CAP SCREW	六角穴圓頭螺絲	M6XP1.0XL16	1.00	EA
42.01	NL 000048004A	SCREW, COLLET KEY	筒夾止動螺絲	D6XL50	1.00	EA



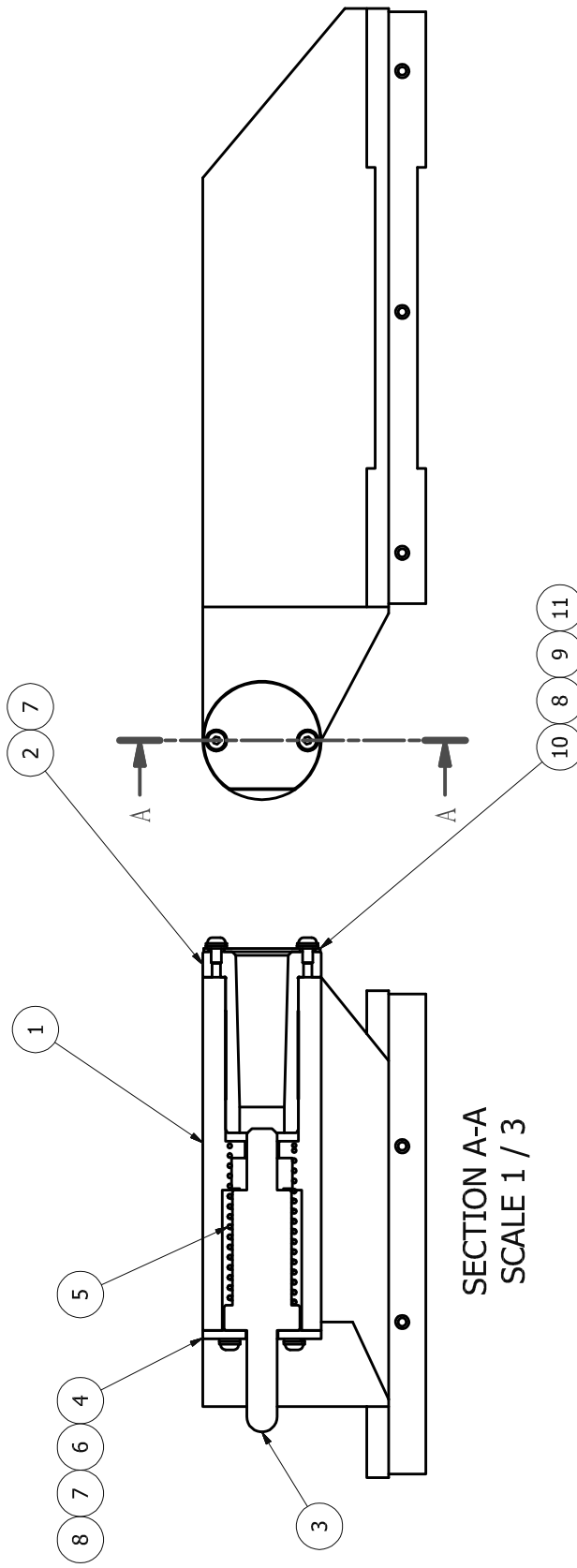
PRODUCT BOM MASTER AND SUB-ITEMS LIST

Master Item Part NO.: NL 000015802A

Description: FRONT INSTALLED DRAW TUBE+16C
拉桿 + 16C筒夾 (前鎖式)

Item	Part NO.	Description	中文名稱	Specification	Qty	Unit
1.01	NL 000048003A	DRAW TUBE	拉桿	D55XD45XL438	1.00	EA
2.00	BL 00094310112	P55 O-RING	O型油環	[NOK] P55 (VITON)	1.00	EA
3.00	BL 00029170110	ROTARY HYDRAULIC CYLINDER	薄型高速中空油壓迴轉缸 (千島 F1246S)	[CHANDOX] F1246S	1.00	ST
4.00	BLA001011614A	PACKING,COOLANT COLLECTORS	耐油橡膠墊片(集水槽;油壓缸)	D116XD95XT0.8	1.00	ST
5.00	NL 001011541A	COVER, COOLANT	檢出板	[CHANDOX] PD-06-01	1.00	ST
6.00	BL 001011616D	PACKING,SENSOR	近接開關固定座襯墊(採購件)	(TON FOU)-L75XW40XH0.8	2.00	ST
7.01	NL 000805020A	RUBBER,COOLANT COLLECTOR	耐油橡膠墊片(集水槽)	L141XW146XH2	1.00	EA
8.00	NL 001011542A	COVER, COOLANT	蓋板	[CHANDOX] PD-06-02	1.00	EA
9.00	MS 0103830	SOCKET HEAD CAP SCREW	六角穴圓頭螺絲	M8XP1.25XL80	6.00	EA
10.00	BLA000048033A	DRAW TUBE ADAPTER	拉桿接頭	D55XD42XL147.5	1.00	EA
11.00	NL 000399053A	SEAT	近接開關固定座-副主軸	HT060DD1	2.00	EA
12.01	NL 000499051A	COOLANT COLLECTORS	集水槽,副主軸	TEMP	1.00	EA
13.00	NL 000299030A	COVER	集水槽蓋	HT060DF4	1.00	EA
14.00	NL 000399002A	BRACKET	迴轉缸固定架-副主軸	HT060DE4	1.00	EA

次序	設計變更紀錄	日期	ECN.
A	新繪	2016/7/21	--



SECTION A-A
SCALE 1 / 3

MODEL: TALENT 42/51 B

PART NAME
TAILSTOCK CONFIGURATIONS

尾座

DATE 2016/6/27

SCALE 1 : 3

PART NUMBER
NL 000000301A

PAGE
1 OF 1

REV.
A

PRODUCT BOM MASTER AND SUB-ITEMS LIST

Master Item Part NO.: NL 000000301A

Description: TAILSTOCK CONFIGURATIONS
尾座

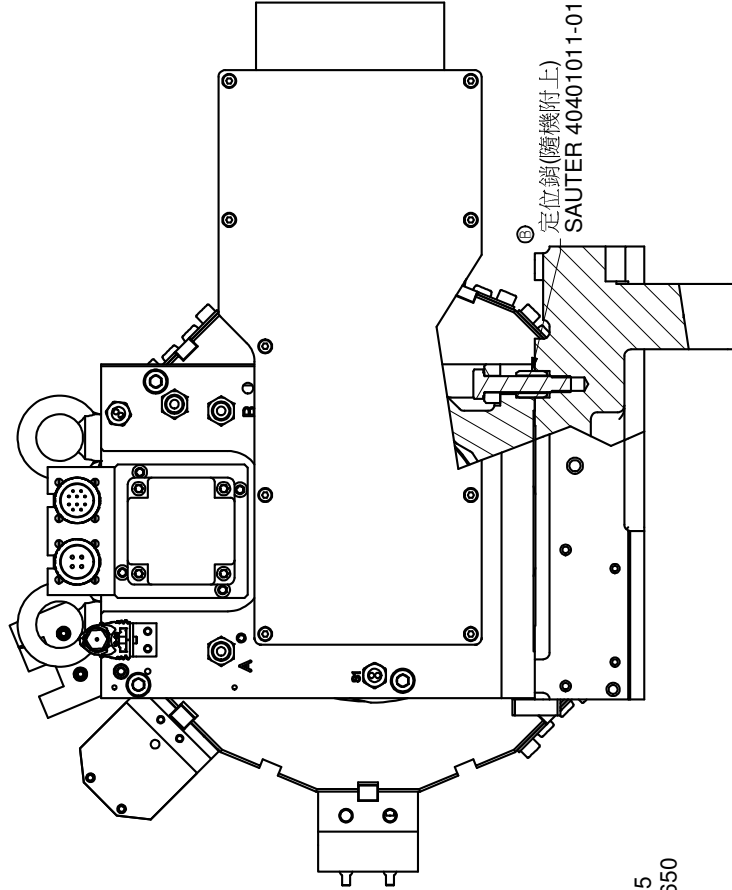
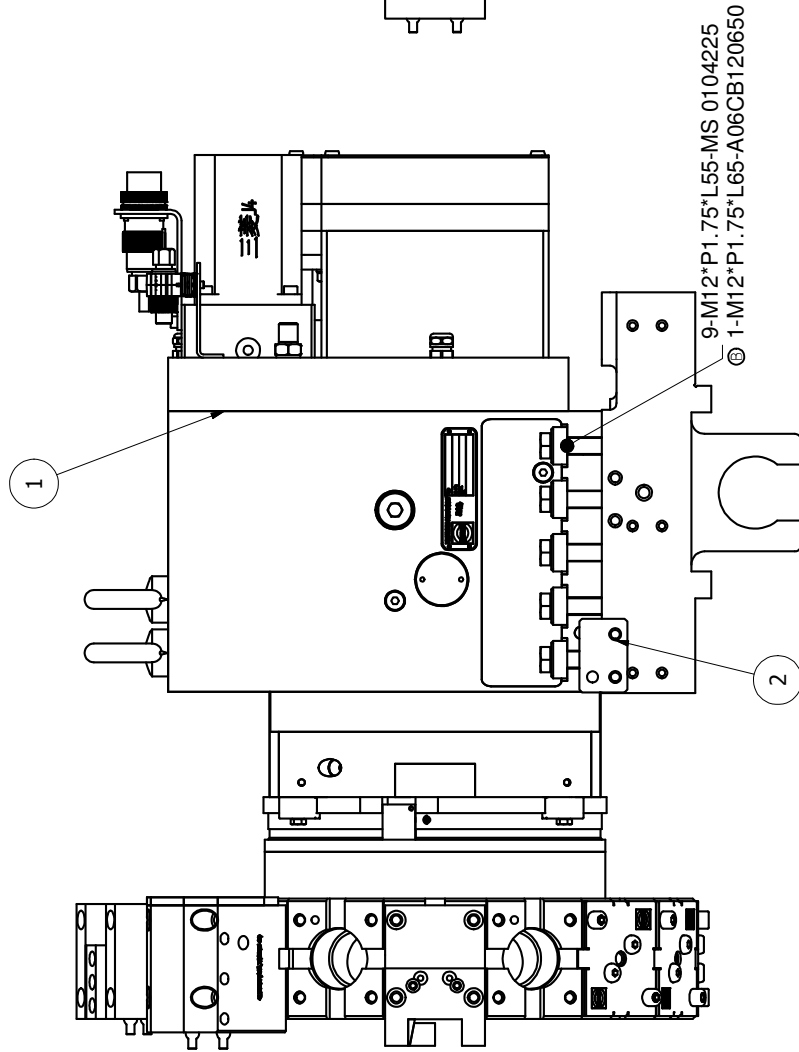
Item	Part NO.	Description	中文名稱	Specification	Qty	Unit
1.00	NL 000040101A	TAILSTOCK BODY	尾座本體	L288XW483XH132	1.00	ST
2.00	BLB001187102A	SLEEVE, CENTER	頂心套(尾座用)	D70XD26.5XL107	1.00	EA
3.00	NL 000415803A	BAR, TAILSTOCK	桿	D45XL179.5	1.00	EA
4.00	NL 001011586A	COVER, TAILSTOCK	蓋	HT060DN7	1.00	EA
5.00	BL 000733501K	COMPRESS SPRING, TAILSTOCK	壓縮彈簧(尾座)	L93XD40.7XD2.6	1.00	EA
6.00	MS 0103619	SOCKET HEAD CAP SCREW	六角穴圓頭螺絲	M6XP1.0XL25	4.00	EA
7.00	MS 0303618NI	BUTTON HD. SOCKET (NICKEL)	六角穴半圓頭螺絲(鍍鎳)	M6XP1.0XL20	4.00	EA
8.00	MW 0103610NI	FLAT WASHER(NICHEL)	平墊圈(鍍鎳)	M6	6.00	EA
9.00	MW 0183610NI	SPRING WASHER (NICKEL)	彈簧墊圈(鍍鎳)	M6(HEAT TREATMENT)	6.00	EA
10.00	NL 000399029A	COVER, TAILSTOCK	蓋	HT060DN8	1.00	EA
11.00	MS 0303616NI	BUTTON HD. SOCKET (NICKEL)	六角穴半圓頭螺絲(鍍鎳)	M6XP1.0XL12	2.00	EA

Chapter 3

刀塔

TURRET

次序	設計變更紀錄	日期	ECN.
A	釋放	2015/12/13	1004020
B	新增料號及備註	2019/4/22	33831



MODEL: TALENT 42/51

PART NAME		PART NUMBER	
BMT 45 TURRET W/ LIVE TOOLING		NL 000000817A	
BMT 45 動力刀塔組合(長頸-FANUC)		PAGE	1 OF 1
DATE	2015/12/13	SCALE	1 : 4
		REV.	B

PRODUCT BOM MASTER AND SUB-ITEMS LIST

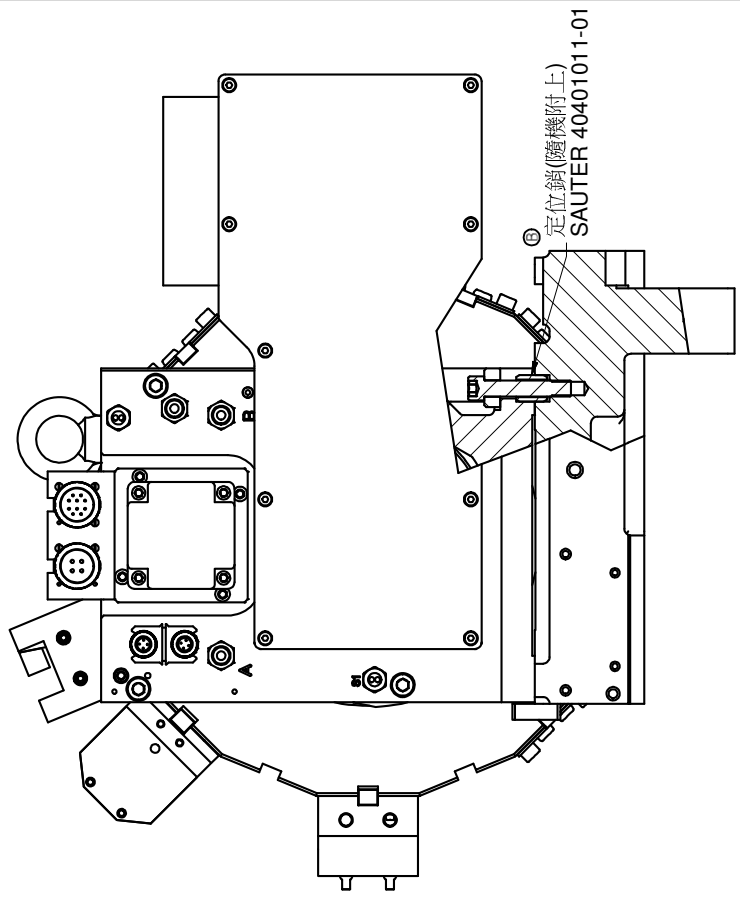
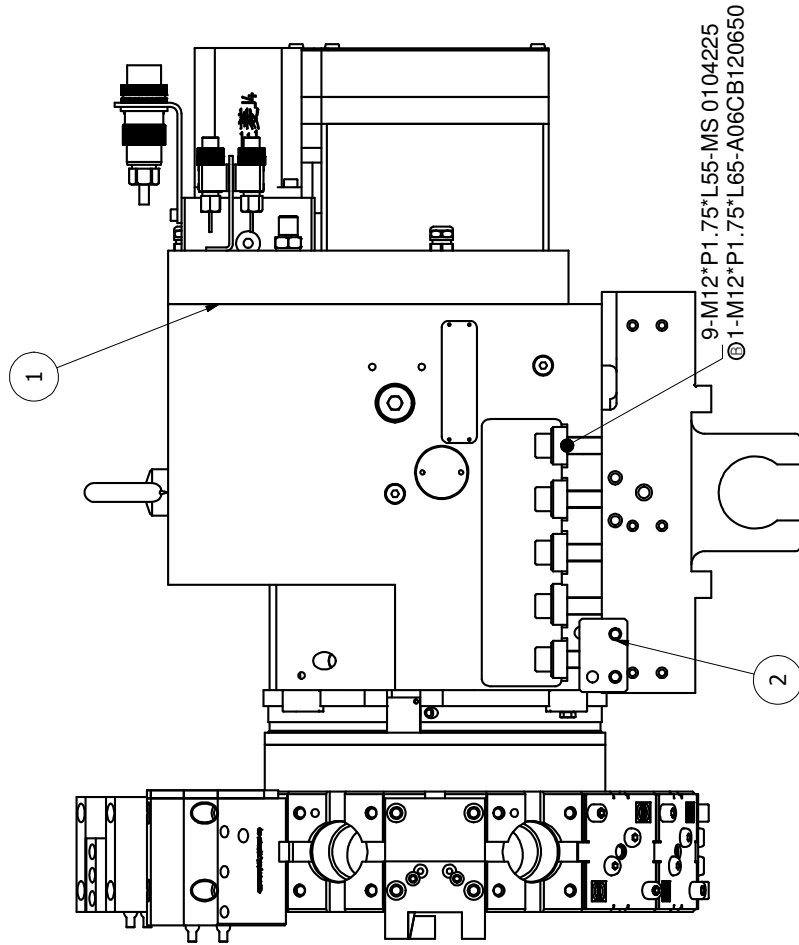
Master Item Part NO.: NL 000000817A

Description: BMT 45 TURRET W/ LIVE TOOLING
BMT45 動力刀塔組合 (長頸-FANUC-16T)



Item Part NO.	Description	中文名稱	Specification	Qty	Unit
1.00 NL 00099650112	LIVE TOOLING BMT45 (SAUTER)	SAUTER BMT45動力刀塔(長頸式)16T,FANUC0.5.434.020(45-SW390-HL),NH125		1.00	ST
2.00 BL 000022101A	BRACKET	固定塊	L50XW36XH12	1.00	EA

次序	設計變更紀錄	日期	ECN.
A	釋放	2015/12/13	1004020
B	新增備註及序號	2019/4/22	33831



MODEL: TALENT 42/51

PART NAME	PART NUMBER
BMT 45 TURRET W/ LIVE TOOLING	NL 000000818A
BMT 45 動力刀塔組合 (短頸-FANUC)	PAGE 1 OF 1
DATE 2015/12/13	SCALE 1 : 4
	REV. B

PRODUCT BOM MASTER AND SUB-ITEMS LIST

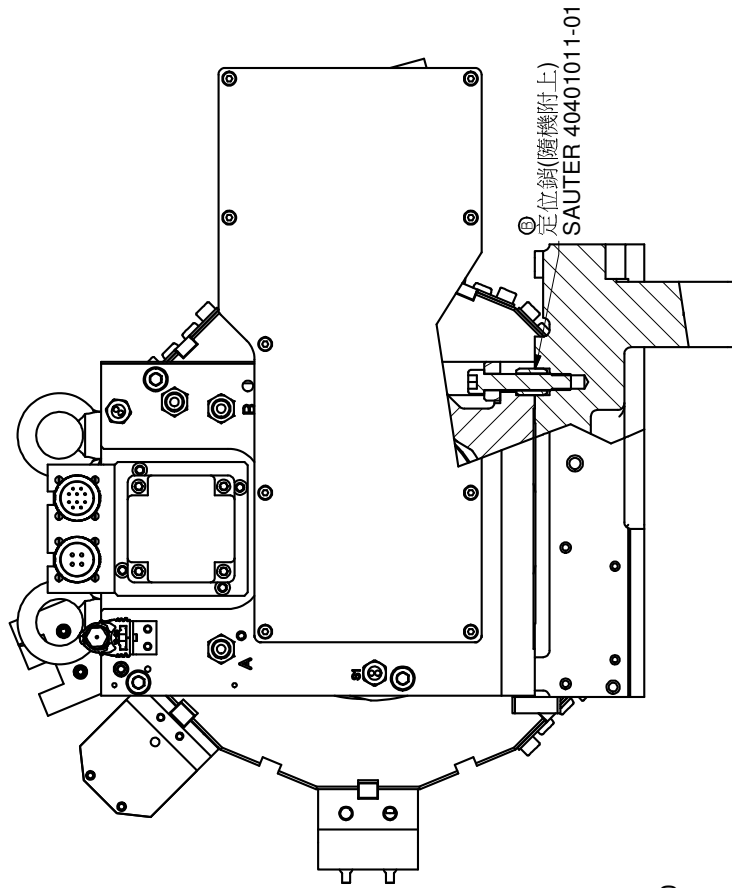
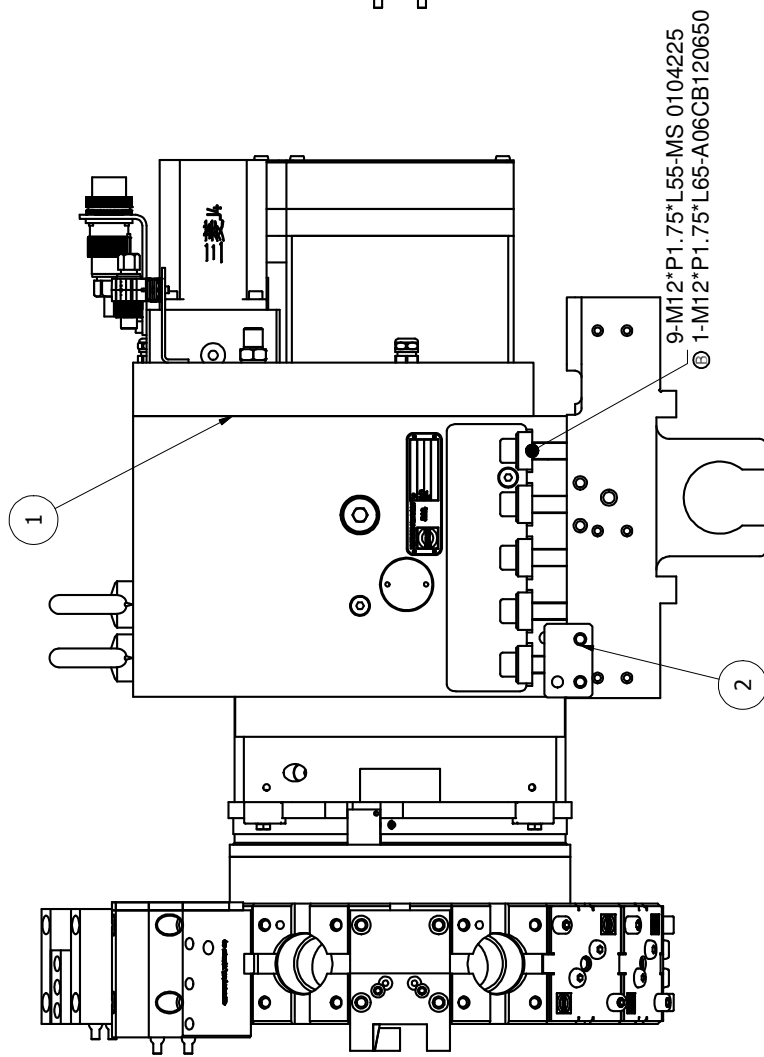
Master Item Part NO.: NL 000000818A

Description: BMT 45 TURRET W/ LIVE TOOLING
BMT45 動力刀塔組合 (短頸-FANUC-16T)



Item Part NO.	Description	中文名稱	Specification	Qty	Unit
1.00 NL 00099650113	LIVE TOOLING BMT45 (SAUTER)	SAUTER BMT45動力刀塔(短頸式)16T,FANUC0.5.434.020(45-SW390-HB),NH125		1.00	ST
2.00 BL 000022101A	BRACKET	固定塊	L50XW36XH12	1.00	EA

次序	設計變更紀錄	日期	ECN.
A	釋放	2015/12/13	1004020
B	新增料號及備註	2019/4/22	33831



MODEL: TALENT 42/51

PART NAME	PART NUMBER
BMT 45 TURRET W/ LIVE TOOLING	NL 000000819A
BMT 45 動力刀塔組合 (長頸-SIEMENS)	PAGE 1 OF 1
DATE 2015/12/13	SCALE 1 : 4
	REV. B

PRODUCT BOM MASTER AND SUB-ITEMS LIST

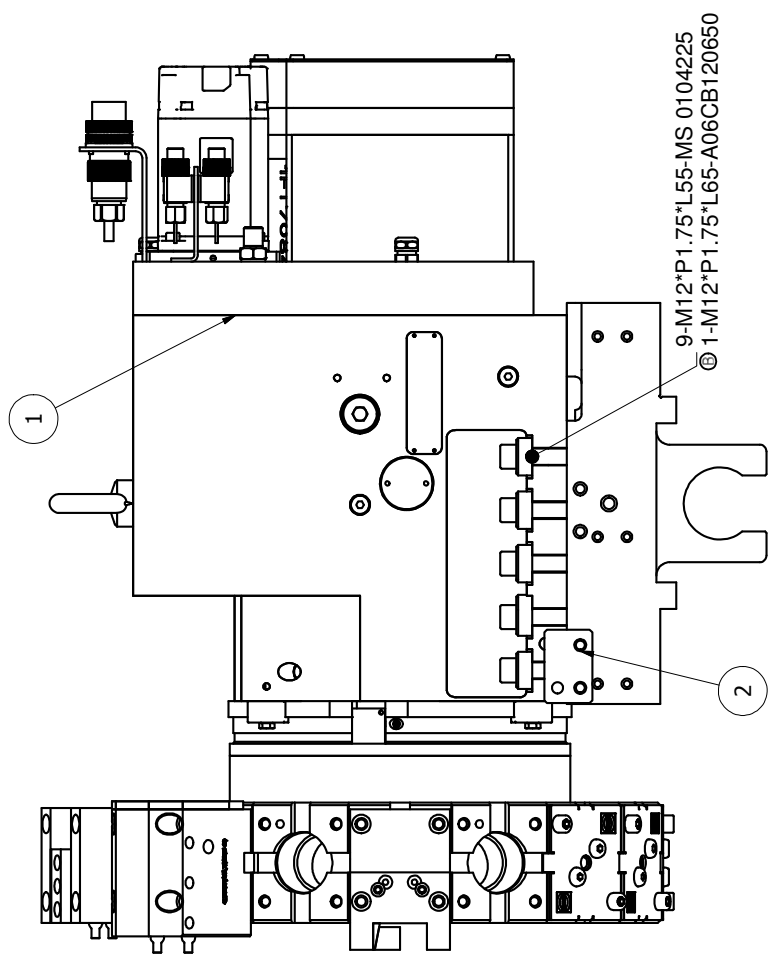
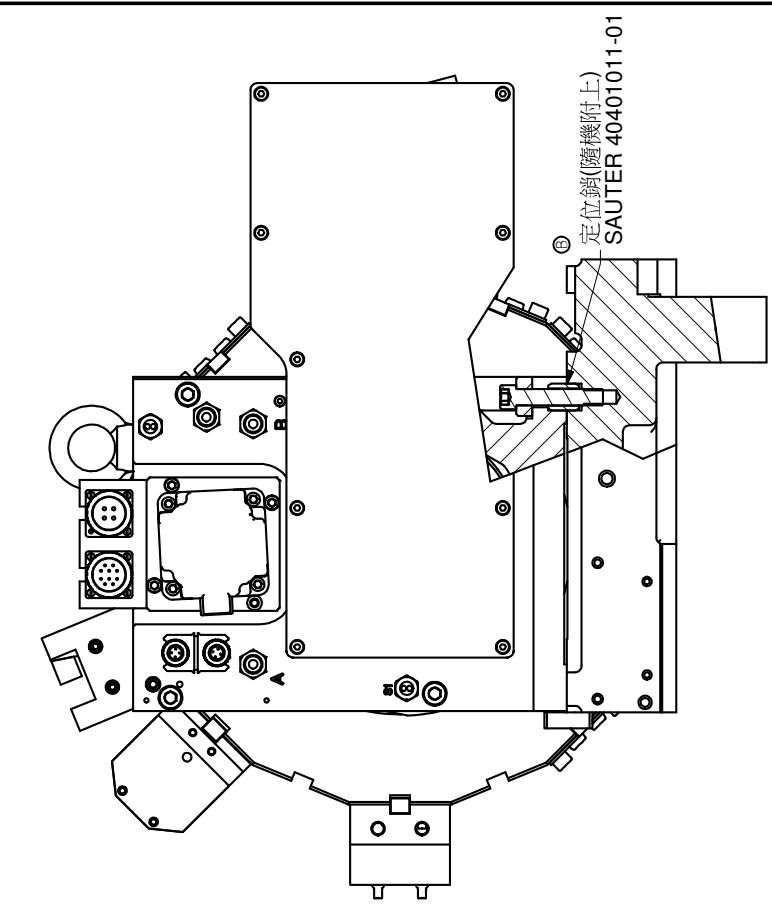
Master Item Part NO.: NL 000000819A

Description: BMT 45 TURRET W/ LIVE TOOLING
BMT45 動力刀塔組合 (長頸-SIEMENS-16T)



Item Part NO.	Description	中文名稱	Specification	Qty	Unit
1.00 NL 00099650114	LIVE TOOLING BMT45 (SAUTER)	SAUTER BMT45動力刀塔(長頸式)16T,SIEME 0.5.434.020(45-SW390-HL),NH125		1.00	ST
2.00 BL 000022101A	BRACKET	固定塊	L50XW36XH12	1.00	EA

次序	設計變更紀錄	日期	ECN.
A	釋放	2015/12/13	1004020
B	新增備註及序號	2019/4/22	33831



MODEL: TALENT 42/51	
PART NAME	PART NUMBER
BMT 45 TURRET W/ LIVE TOOLING	NL 000000820A
BMT 45 動力刀塔組合 (短頸-SIEMENS)	PAGE 1 OF 1
DATE 2015/12/13	SCALE 1 : 4 REV. B

PRODUCT BOM MASTER AND SUB-ITEMS LIST

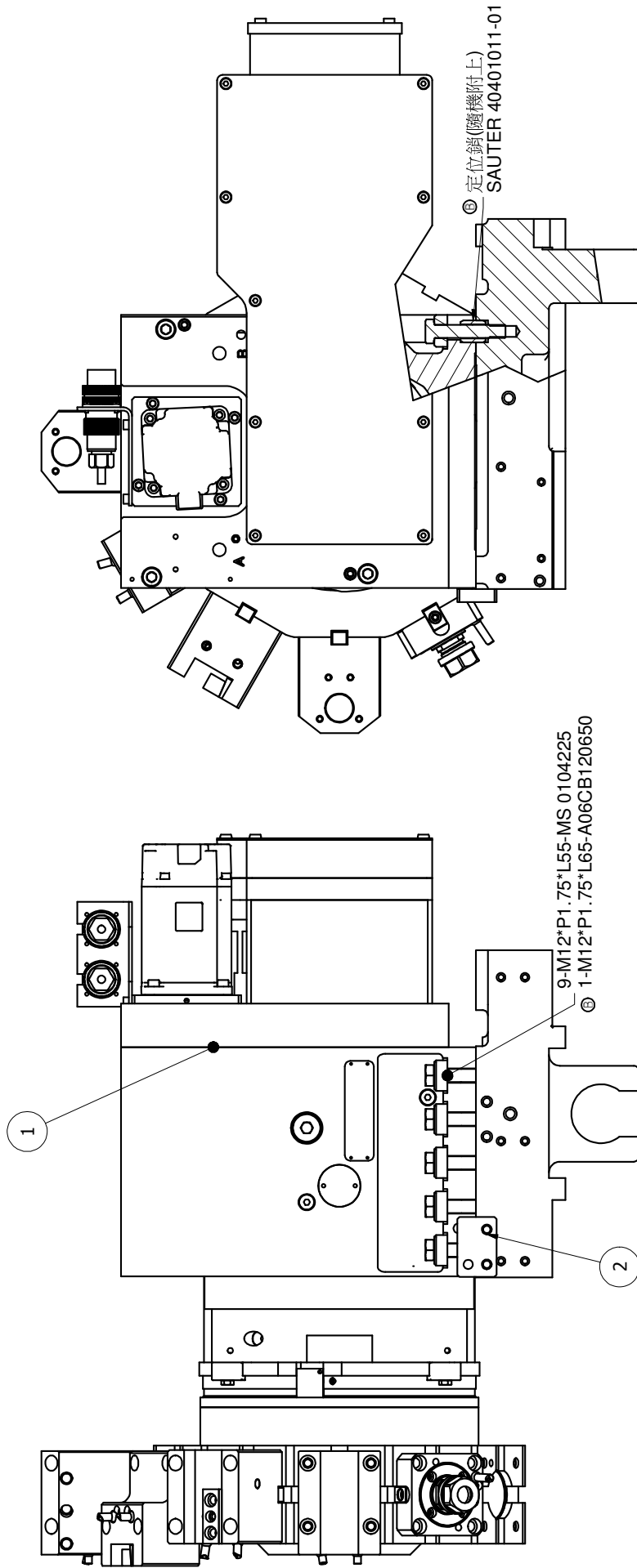
Master Item Part NO.: NL 000000820A

Description: TURRET WITH LIVE TOOLING
BMT45 動力刀塔組合 (短頸-SIEMENS-16T)



Item Part NO.	Description	中文名稱	Specification	Qty	Unit
1.00 NL 00099650115	LIVE TOOLING BMT45 (SAUTER)	SAUTER BMT45動力刀塔 (短頸式)16T,SIEME 0.5.434.020(45-SW390-HB),NH125		1.00	ST
2.00 BL 000022101A	BRACKET	固定塊	L50XW36XH12	1.00	EA

次序	設計變更紀錄	日期	ECN.
A	釋放	2015/12/13	1004020
B	新增備註及序號	2019/4/22	33831



MODEL: TALENT 42/51

PART NAME	PART NUMBER
BMT 45 TURRET W/ LIVE TOOLING	NL 000000801A
BMT 45 動力刀塔組合(長頸-FANUC)	PAGE 1 OF 1
DATE 2015/12/13	SCALE 1:4
	REV. B

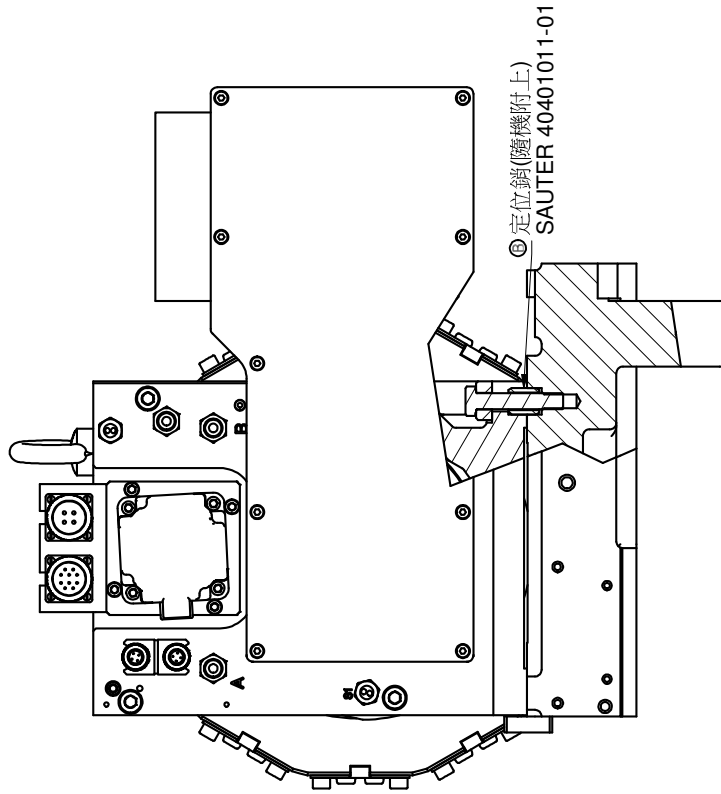
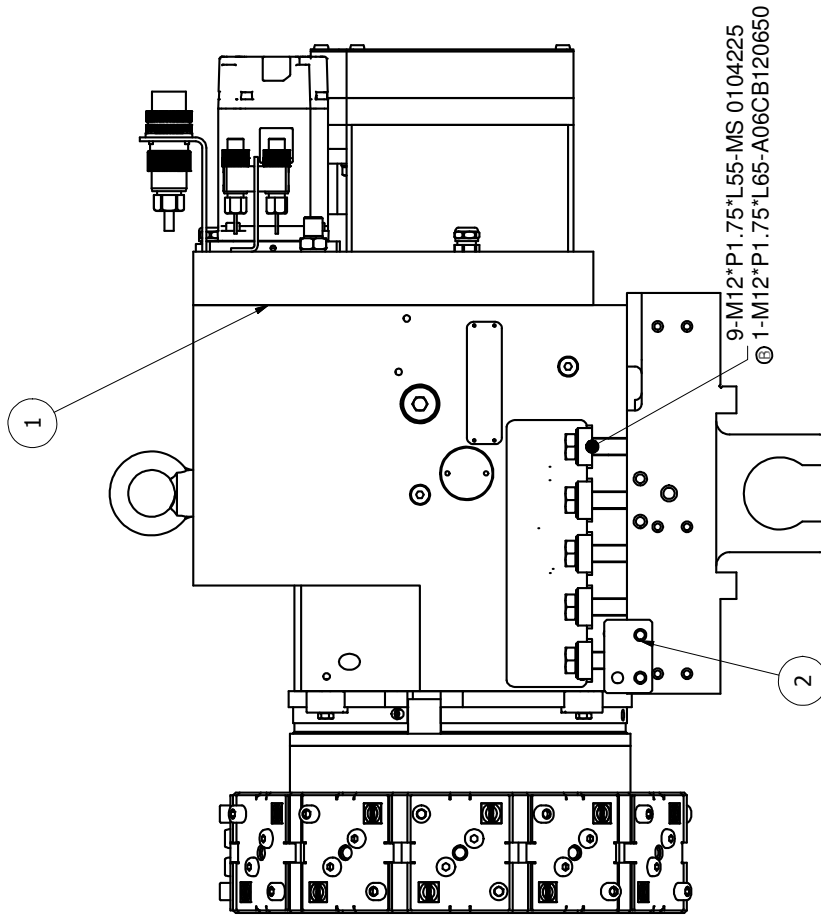
PRODUCT BOM MASTER AND SUB-ITEMS LIST

Master Item Part NO.: NL 000000801A

Description: BMT 45 TURRET W/ LIVE TOOLING
BMT45 動力刀塔組合 (長頸-FANUC)

Item Part NO.	Description	中文名稱	Specification	Qty	Unit
1.00	NL 00099650101 LIVE TOOLING BMT45 (SAUTER)	SAUTER BMT45動力刀塔(長頸式)12T,FANUC0.5.434.020(45-SW340-HL),NH125		1.00	ST
2.00	BL 000022101A BRACKET	固定塊	L50XW36XH12	1.00	EA

次序	設計變更紀錄	日期	ECN.
A	釋放	2015/12/13	1004020
B	新增備註及序號	2019/4/22	33831



MODEL: TALENT 42/51

PART NAME	PART NUMBER
BMT 45 TURRET W/ LIVE TOOLING	NL 000000802A
BMT 45 動力刀塔組合 (短頸-FANUC)	PAGE 1 OF 1
DATE 2015/12/13	SCALE 1 : 4
	REV. B

PRODUCT BOM MASTER AND SUB-ITEMS LIST

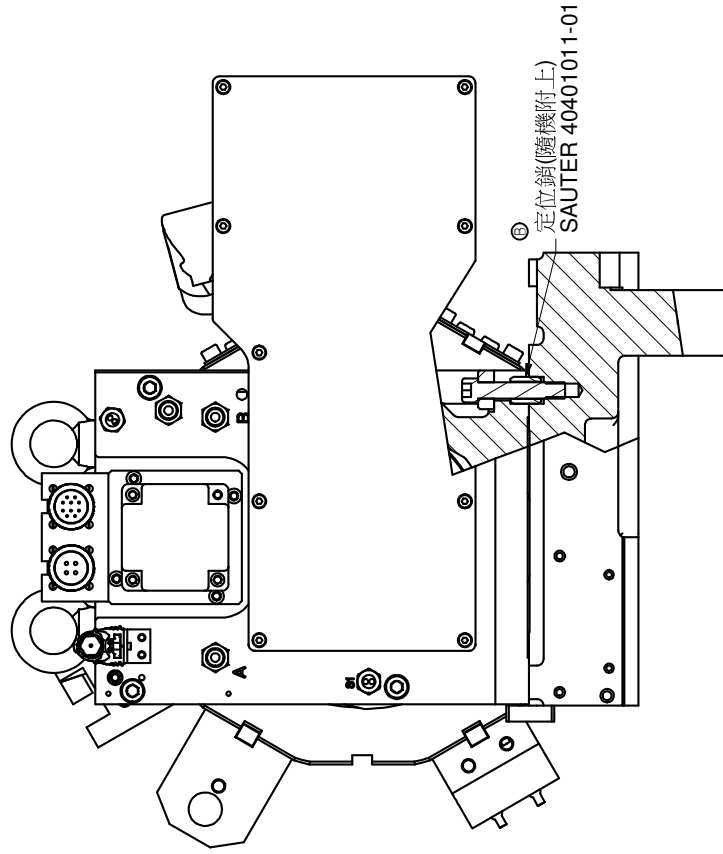
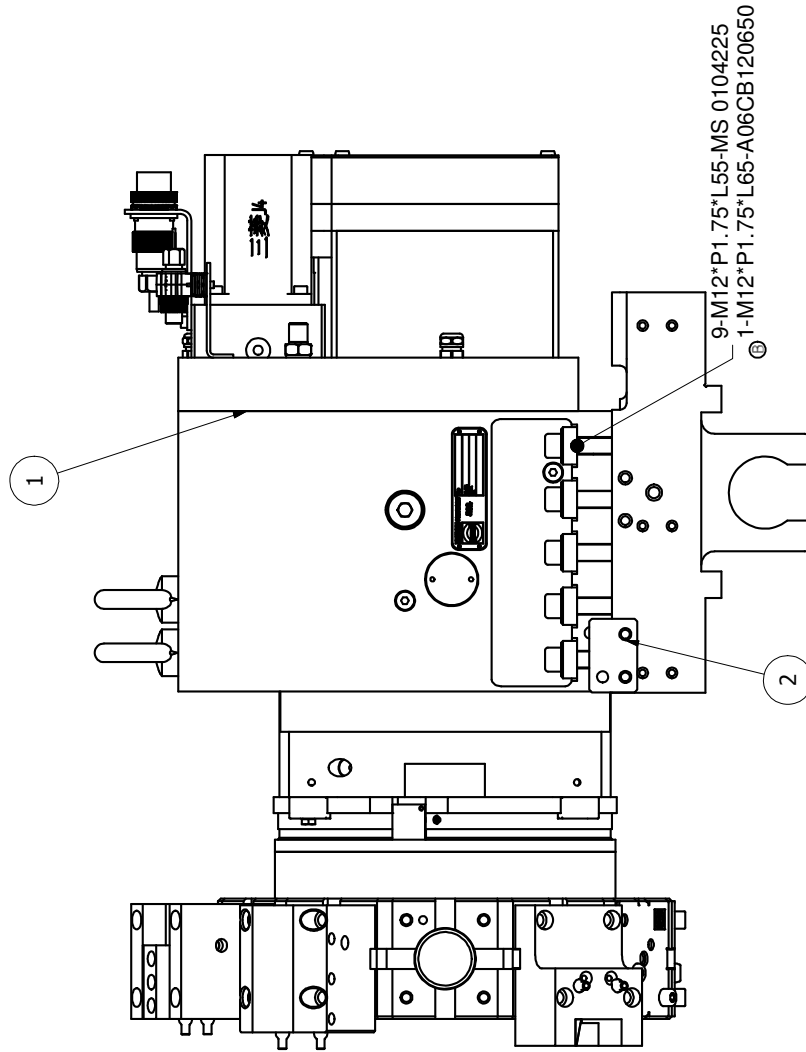
Master Item Part NO.: NL 000000802A

Description: BMT 45 TURRET W/ LIVE TOOLING
BMT45 動力刀塔組合 (短頸-FANUC)



Item Part NO.	Description	中文名稱	Specification	Qty	Unit
1.00	NL 00099650102 LIVE TOOLING BMT45 (SAUTER)	SAUTER BMT45動力刀塔(短頸式)12T,FANUC0.5.434.020(45-SW340-HB),NH125		1.00	ST
2.00	BL 000022101A BRACKET	固定塊	L50XW36XH12	1.00	EA

次序	設計變更紀錄	日期	ECN.
A	釋放	2015/12/13	1004020
B	新增備註及序號	2019/4/22	33831



MODEL: TALENT 42/51

PART NAME	PART NUMBER
BMT 45 TURRET W/ LIVE TOOLING	NL 000000803A
BMT 45 動力刀塔組合 (長頸-FANUC)	PAGE 1 OF 1
DATE 2015/12/13	SCALE 1 : 4
	REV. B

PRODUCT BOM MASTER AND SUB-ITEMS LIST

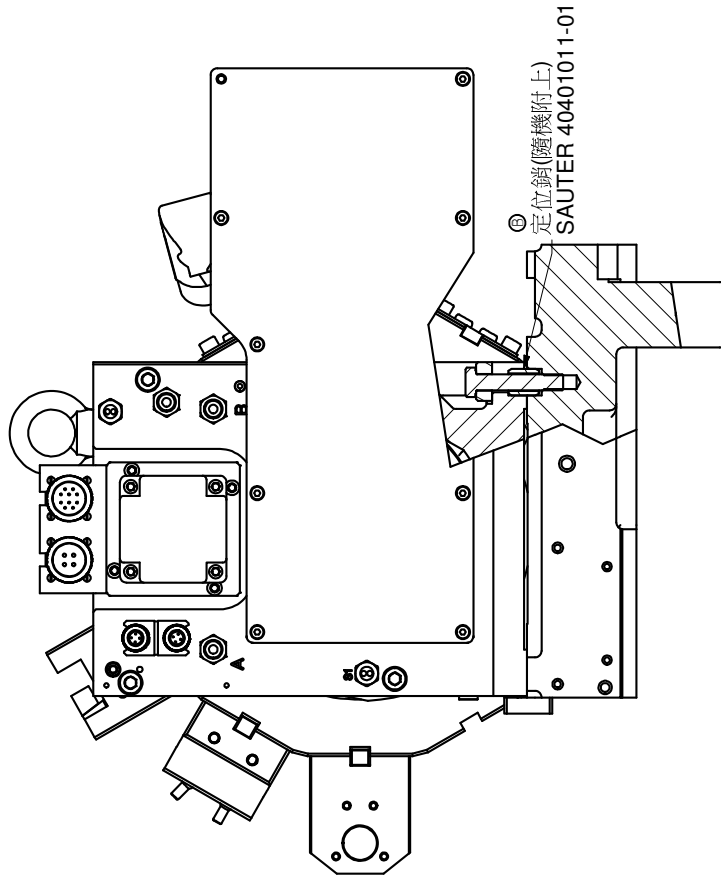
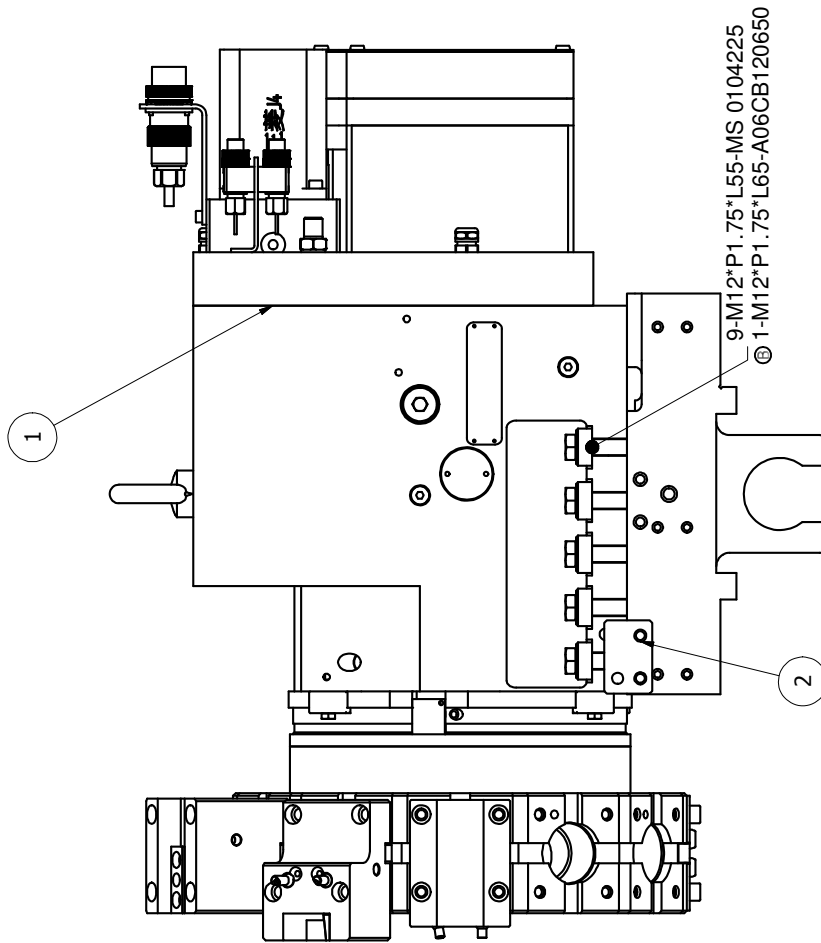
Master Item Part NO.: NL 000000803A

Description: BMT 45 TURRET W/ LIVE TOOLING
BMT45 動力刀塔組合 (長頸-SIEMENS)



Item Part NO.	Description	中文名稱	Specification	Qty	Unit
1.00 NL 00099650103	LIVE TOOLING BMT45 (SAUTER)	SAUTER BMT45動力刀塔(長頸式)12T,SIEME 0.5.434.020(45-SW340-HL),NH125		1.00	ST
2.00 BL 000022101A	BRACKET	固定塊	L50XW36XH12	1.00	EA

設計變更紀錄		日期	ECN.
次序	釋放	2015/12/13	1004020
A	新增備註及序號	2019/4/22	33831
B			



MODEL: TALENT 42/51

PART NAME	PART NUMBER
BMT 45 TURRET W/ LIVE TOOLING	NL 000008004A
BMT 45 動力刀塔組合 (短頸-SIEMENS)	PAGE 1 OF 1
DATE 2015/12/13	SCALE 1 : 4
	REV. B

PRODUCT BOM MASTER AND SUB-ITEMS LIST

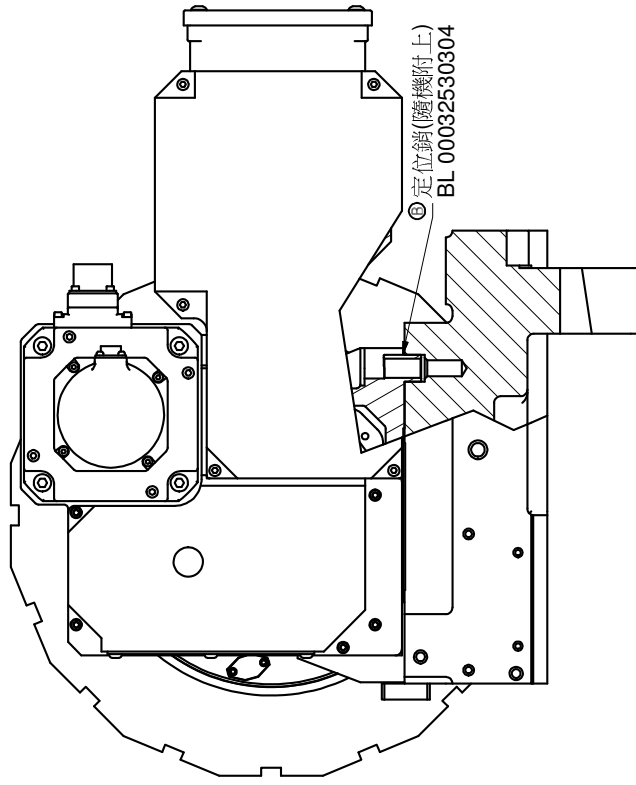
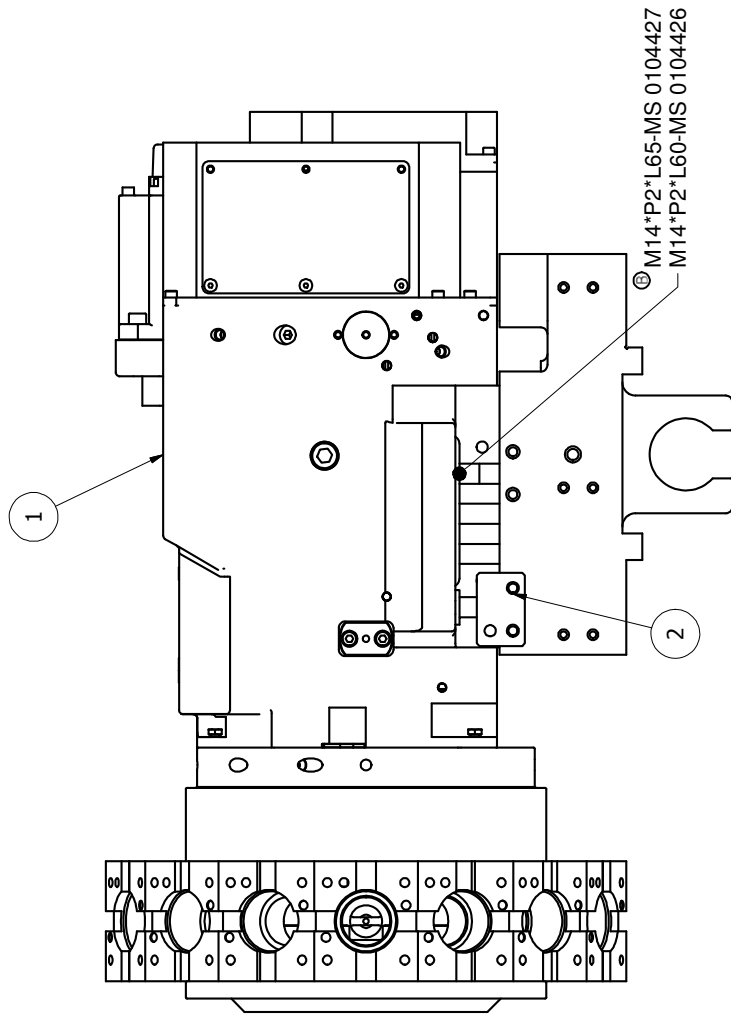
Master Item Part NO.: NL 000000804A

Description: TURRET WITH LIVE TOOLING
BMT45 動力刀塔組合 (短頸-SIEMENS)



Item Part NO.	Description	中文名稱	Specification	Qty	Unit
1.00 NL 00099650104	LIVE TOOLING BMT45 (SAUTER)	SAUTER BMT45動力刀塔(短頸式)	12T,SIEME 434.020(12T-BMT45-SW340)HB-NH1	1.00	ST
2.00 BL 000022101A	BRACKET	固定塊	L50XW36XH12	1.00	EA

次序	設計變更紀錄	日期	ECN.
A	釋放	2015/12/13	1004020
B	新增料號與確註	2019/4/16	33831



© Maintenance Package Part Number : LIO SALE-00264

MODEL: TALENT 42/51

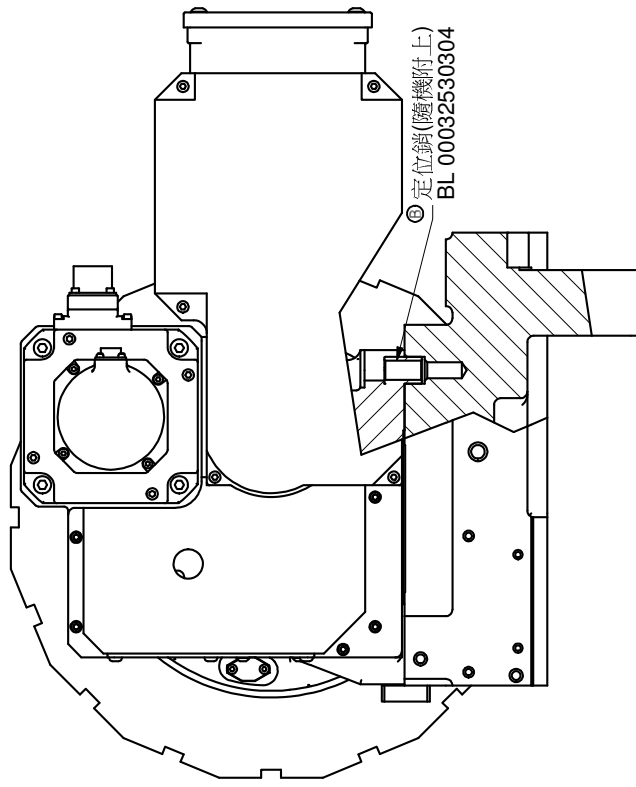
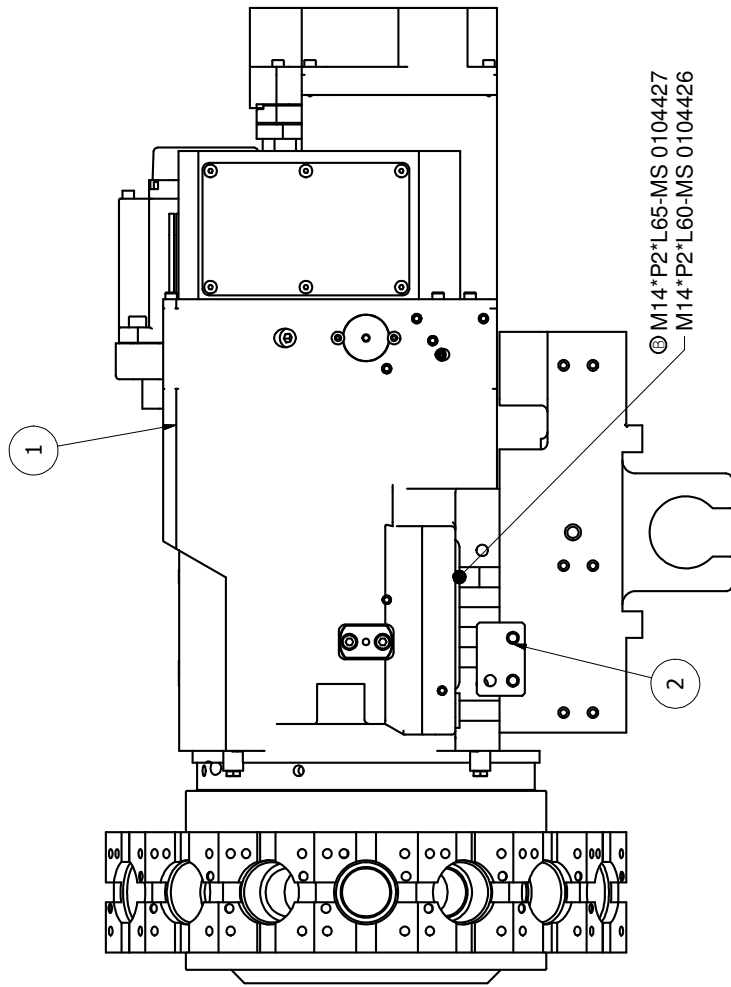
PART NAME	PART NUMBER	
BMT 45 TURRET W/ LIVE TOOLING	NL 000000821A	
BMT 45 動力刀塔組合 (長頸-FANUC)	PAGE	
	1 OF 1	
DATE	SCALE	REV.
2015/12/13	1 : 4	B

PRODUCT BOM MASTER AND SUB-ITEMS LIST

Master Item Part NO.: NL 000000821A
Description: BMT 45 TURRET W/ LIVE TOOLING
BMT45 動力刀塔組合 (長頸-FANUC-16T)

Item Part NO.	Description	中文名稱	Specification	Qty	Unit
1.01	NL 00099650105 LIVE TOOLING BMT45 (LIOSHING)	六鑫 BMT45動力刀塔(長頸式)16T,FANUC	LS-200DBR-16-0001	1.00	ST
2.00	BL 000022101A BRACKET	固定塊	L50XW36XH12	1.00	EA
4.00	BL 000799037A COVER,TOOL STATION	刀位護蓋	L75XW75XH2.3 FOR BMT45	16.00	EA

次序	設計變更紀錄	日期	ECN.
A	新繪	2017/4/7	...
B	新增料號及備註	2019/4/16	33831



© Maintenance Package Part Number : LIO SALE-00264

MODEL: TALENT 42/51

PART NAME	PART NUMBER
BMT 45 TURRET W/ LIVE TOOLING	NL 000000822A
BMT 45 動力刀塔組合 (短鎖-FANUC)	PAGE 1 OF 1
DATE 2015/12/13	SCALE 1 : 4
	REV. B

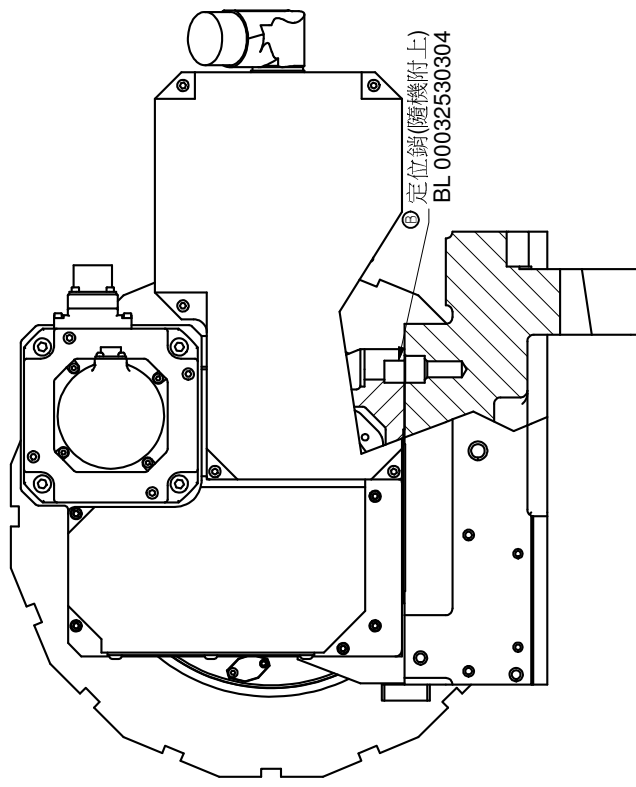
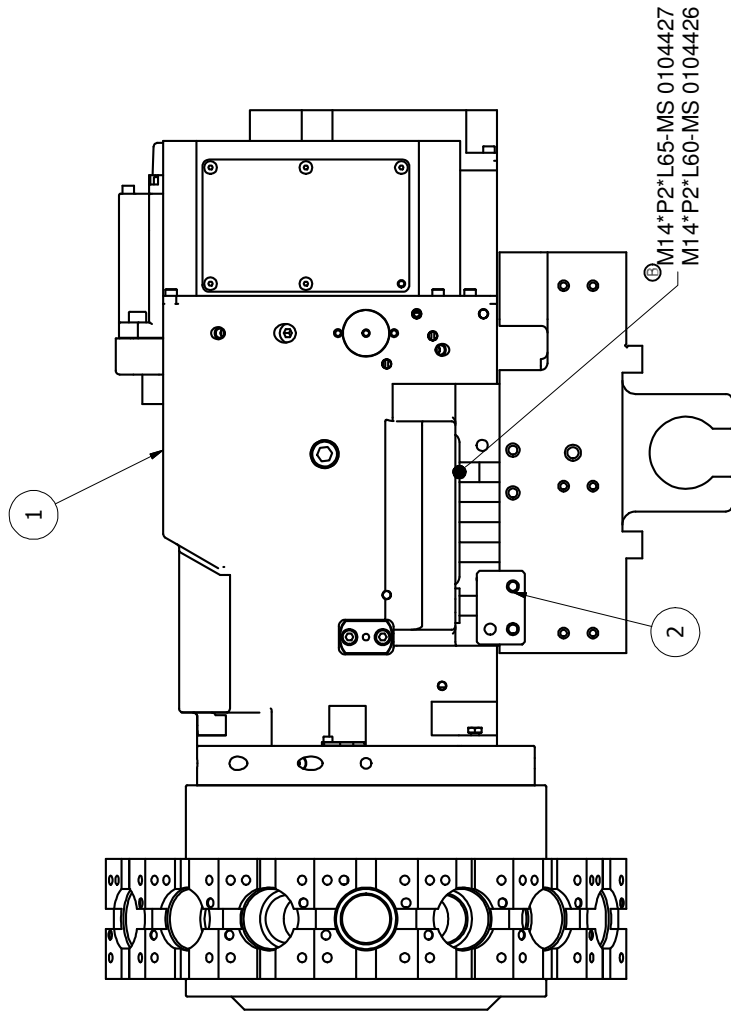
PRODUCT BOM MASTER AND SUB-ITEMS LIST

Master Item Part NO.: NL 000000822A

Description: BMT 45 TURRET W/ LIVE TOOLING
BMT45 動力刀塔組合 (短頸-FANUC-16T)

Item Part NO.	Description	中文名稱	Specification	Qty	Unit
1.01	NL 00099650122 LIVE TOOLING BMT45 (LIOSHING)	六鑫 BMT45動力刀塔(短頸式)16T,FANUC	LS-200DTR-16-0001	1.00	ST
2.00	BL 000022101A BRACKET	固定塊	L50XW36XH12	1.00	EA
4.00	BL 000799037A COVER,TOOL STATION	刀位護蓋	L75XW75XH2.3 FOR BMT45	16.00	EA

次序	設計變更紀錄	日期	ECN.
A	釋放	2015/12/13	1004020
B	新增料號及備註	2019/4/16	33831



© Maintenance Package Part Number : LIO SALE-00264

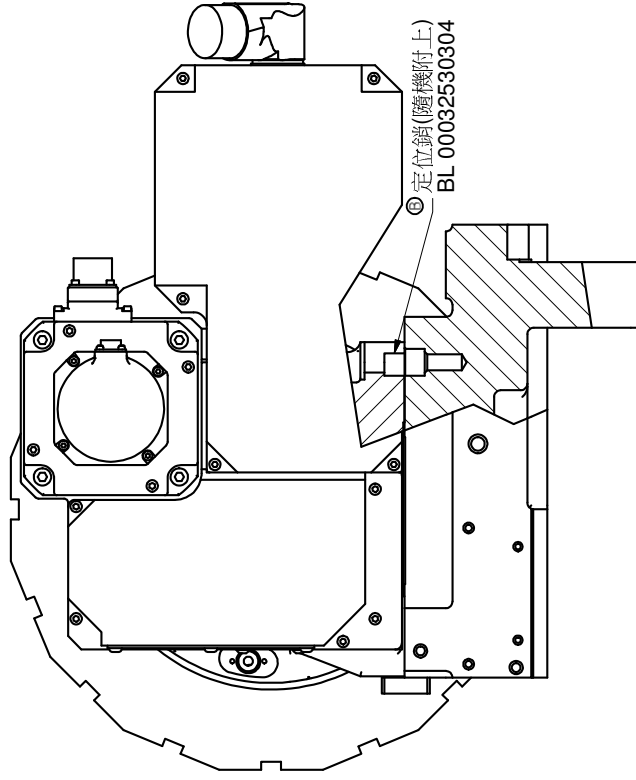
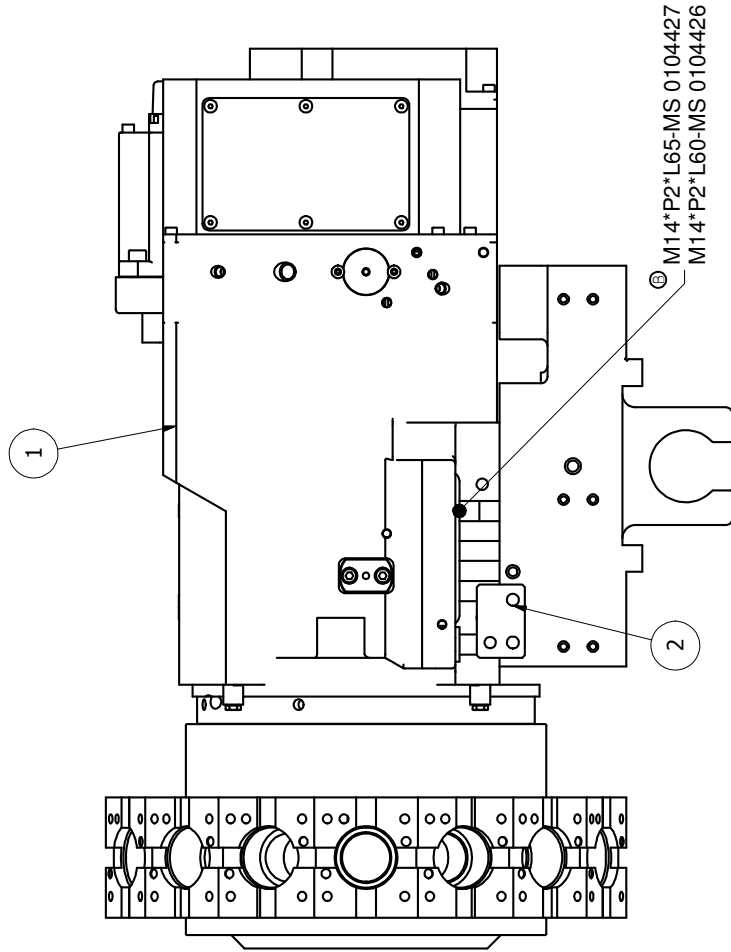
MODEL: TALENT 42/51	
PART NAME	PART NUMBER
BMT 45 TURRET W/ LIVE TOOLING	NL 000000823A
BMT 45 動力刀塔組合 (長頸-SIEMENS)	PAGE 1 OF 1
DATE 2015/12/13	SCALE 1 : 4 REV. B

PRODUCT BOM MASTER AND SUB-ITEMS LIST

Master Item Part NO.: NL 000000823A
Description: BMT 45 TURRET W/ LIVE TOOLING
BMT45 動力刀塔組合 (長頸-SIEMENS-16T)

Item Part NO.	Description	中文名稱	Specification	Qty	Unit
1.01	NL 00099650123 LIVE TOOLING BMT45 (LIOSHING)	六鑫 BMT45動力刀塔(長頸式)	LS-200DBR-16-0002	1.00	ST
2.00	BL 000022101A BRACKET	固定塊	L50XW36XH12	1.00	EA
4.00	BL 000799037A COVER,TOOL STATION	刀位護蓋	L75XW75XH2.3 FOR BMT45	16.00	EA

次序	設計變更紀錄	日期	ECN.
A	新增	2017/4/7	...
B	新增料號及備註	2019/4/16	33831



© Maintenance Package Part Number : LIO SALE-00264

MODEL: TALENT 42/51

PART NAME	PART NUMBER
BMT 45 TURRET W/ LIVE TOOLING	NL 000000824A
BMT 45 動力刀塔組合 (短鎖-SIEMENS)	PAGE 1 OF 1
DATE 2015/12/13	SCALE 1 : 4
	REV. B

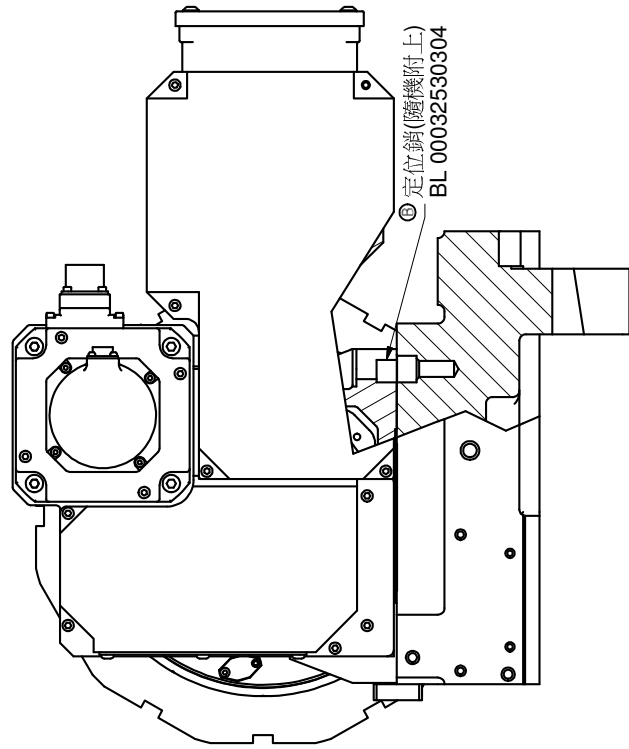
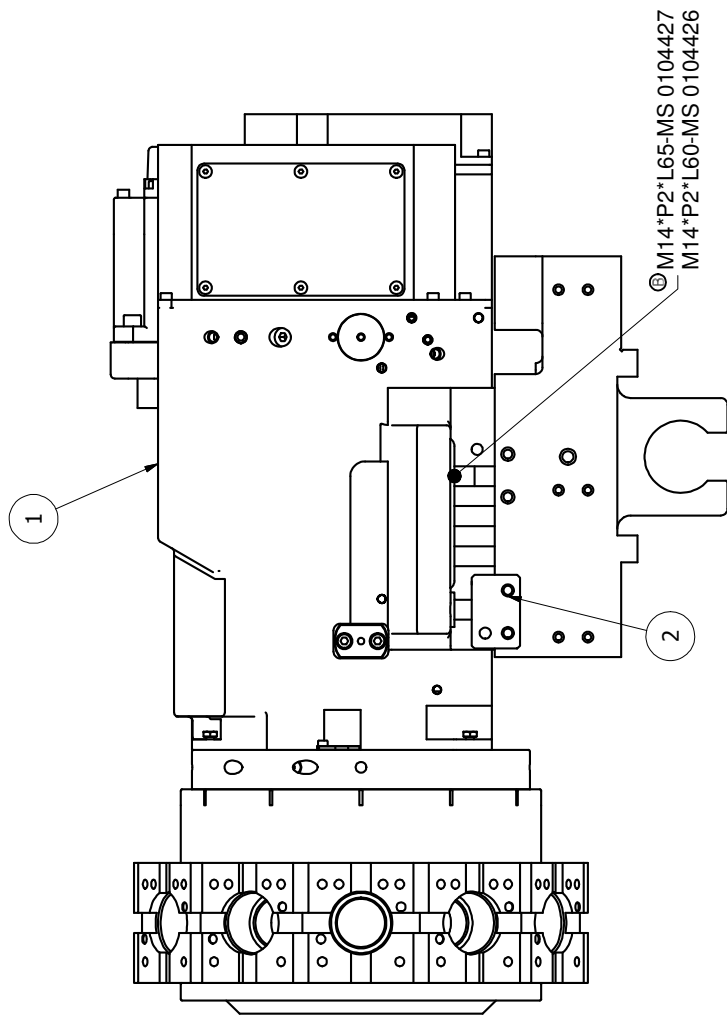
PRODUCT BOM MASTER AND SUB-ITEMS LIST

Master Item Part NO.: NL 000000824A

Description: TURRET WITH LIVE TOOLING
BMT45 動力刀塔組合 (短頸-SIEMENS-16T)

Item Part NO.	Description	中文名稱	Specification	Qty	Unit
1.01	NL 00099650124 LIVE TOOLING BMT45 (LIOSHING)	六鑫 BMT45動力刀塔(短頸式)16T,SIEMENS	LS-200DTR-16-0002	1.00	ST
2.00	BL 000022101A BRACKET	固定塊	L50XW36XH12	1.00	EA
4.00	BL 000799037A COVER,TOOL STATION	刀位護蓋	L75XW75XH2.3 FOR BMT45	16.00	EA

次序	設計變更紀錄	日期	ECN.
A	釋放	2015/12/13	1004020
B	新增料號及備註	2019/4/16	33831



© Maintenance Package Part Number : LIO SALE-00264

MODEL: TALENT 42/51

PART NAME	PART NUMBER
BMT 45 TURRET W/ LIVE TOOLING	NL 000000825A
BMT 45 動力刀塔組合 (長頸-FANUC)	PAGE 1 OF 1
DATE 2015/12/13	SCALE 1 : 4
	REV. B

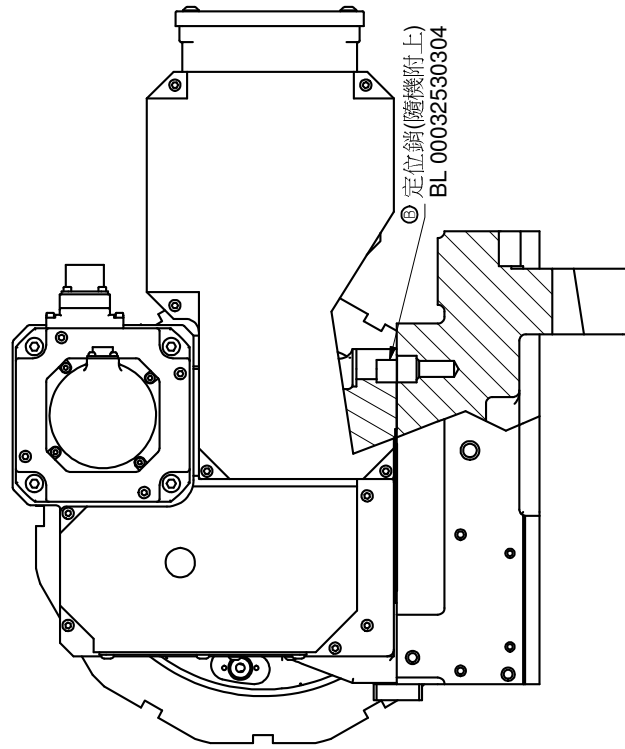
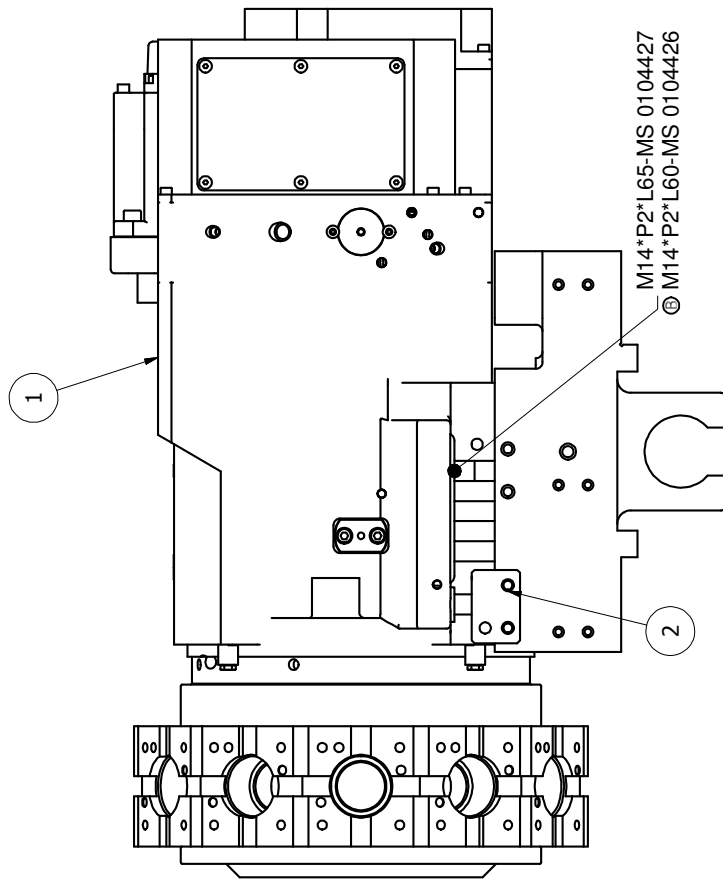
PRODUCT BOM MASTER AND SUB-ITEMS LIST

Master Item Part NO.: NL 000000825A

Description: BMT 45 TURRET W/ LIVE TOOLING
BMT45 動力刀塔組合 (長頸-FANUC)

Item Part NO.	Description	中文名稱	Specification	Qty	Unit
1.00 NL 00099650125	LIVE TOOLING BMT45 (LIOSHING)	六鑫 BMT45動力刀塔(長頸式)12T,FANUC	LS-200DBR-12-0004	1.00	ST
2.00 BL 000022101A	BRACKET	固定塊	L50XW36XH12	1.00	EA
4.00 BL 000799037A	COVER,TOOL STATION	刀位護蓋	L75XW75XH2.3 FOR BMT45	12.00	EA

次序	設計變更紀錄	日期	ECN.
A	釋放	2015/12/13	1004020
B	新增料號及備註	2019/4/16	33831



◎ Maintenance Package Part Number : LIO SALE-00264

MODEL: TALENT 42/51

PART NAME	PART NUMBER
BMT 45 TURRET W/ LIVE TOOLING	NL 000000826A
BMT 45 動力刀塔組合 (短鎖-FANUC)	PAGE 1 OF 1
DATE 2015/12/13	SCALE 1 : 4
	REV. B

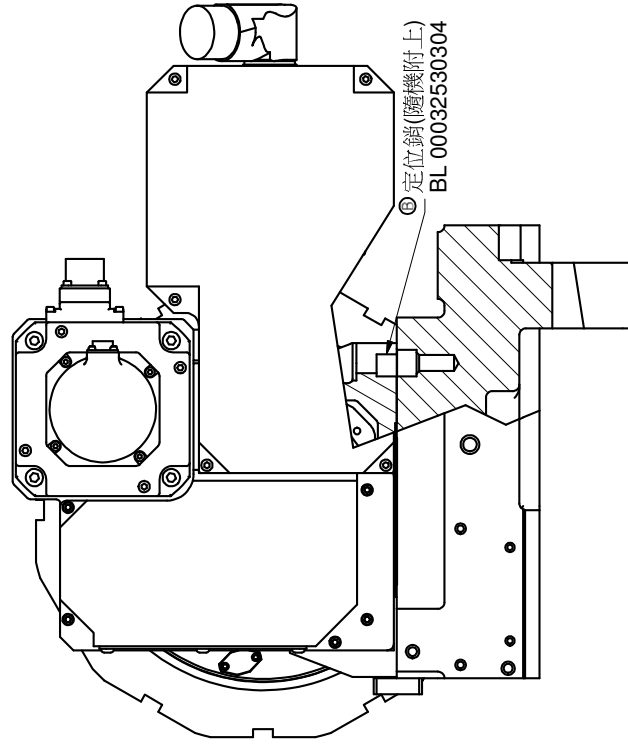
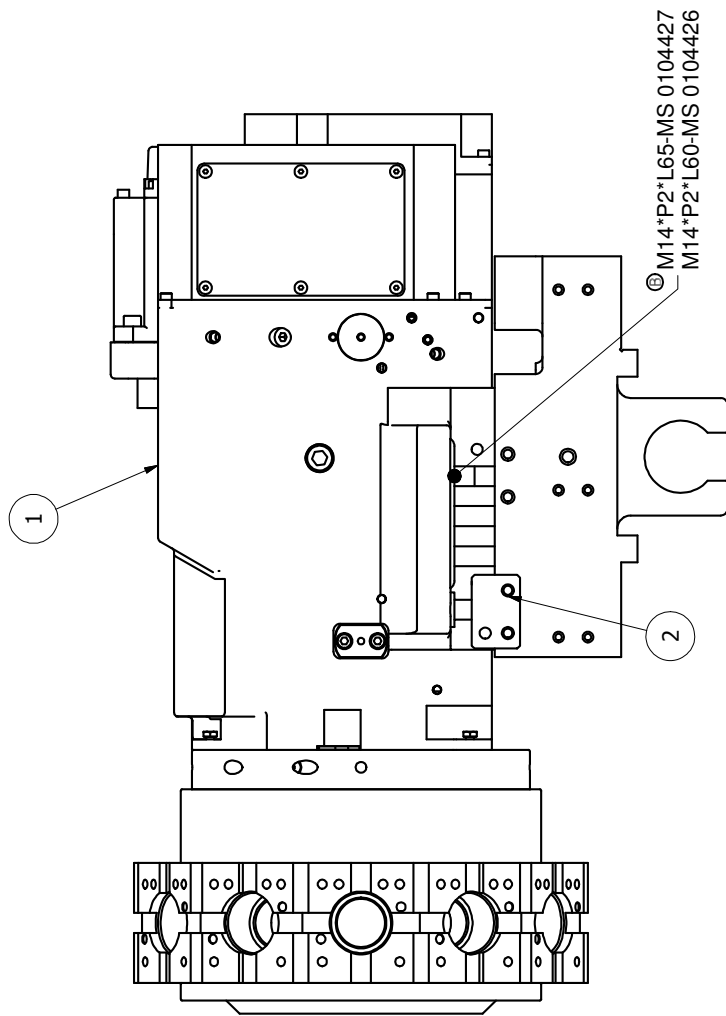
PRODUCT BOM MASTER AND SUB-ITEMS LIST

Master Item Part NO.: NL 000000826A

Description: BMT 45 TURRET W/ LIVE TOOLING
BMT45 動力刀塔組合 (短頸-FANUC)

Item Part NO.	Description	中文名稱	Specification	Qty	Unit
1.00	NL 00099650126 LIVE TOOLING BMT45 (LIOSHING)	六鑫 BMT45動力刀塔(短頸式)12T,FANUC	LS-200DTR-12-0009	1.00	ST
2.00	BL 000022101A BRACKET	固定塊	L50XW36XH12	1.00	EA
3.00	BL 000799037A COVER,TOOL STATION	刀位護蓋	L75XW75XH2.3 FOR BMT45	12.00	EA

次序	設計變更紀錄	日期	ECN.
A	釋放	2015/12/13	1004020
B	新增料號及備註	2019/4/16	33831



©Maintenance Package Part Number : LIO SALE-00264

MODEL: TALENT 42/51

PART NAME	PART NUMBER
BMT 45 TURRET W/ LIVE TOOLING	NL 000000827A
BMT 45 動力刀塔組合 (長頸-SIEMENS)	PAGE 1 OF 1
DATE 2015/12/13	SCALE 1 : 4
	REV. B

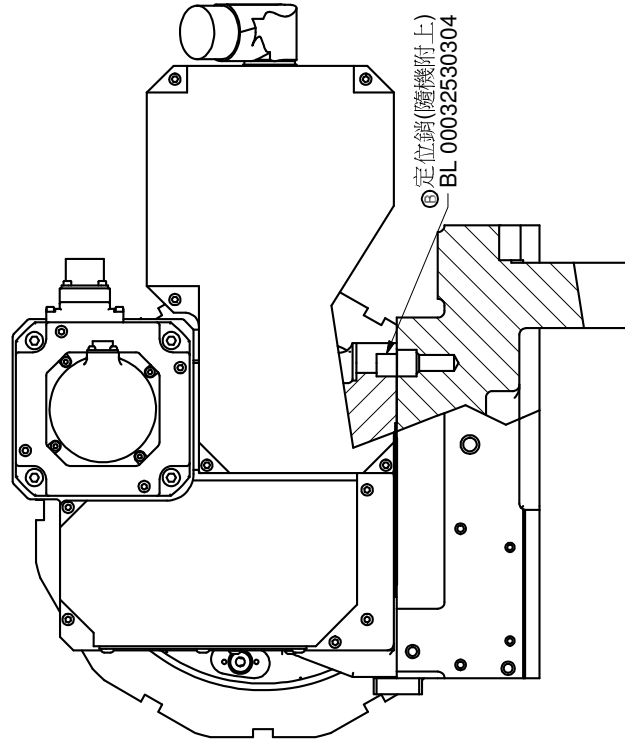
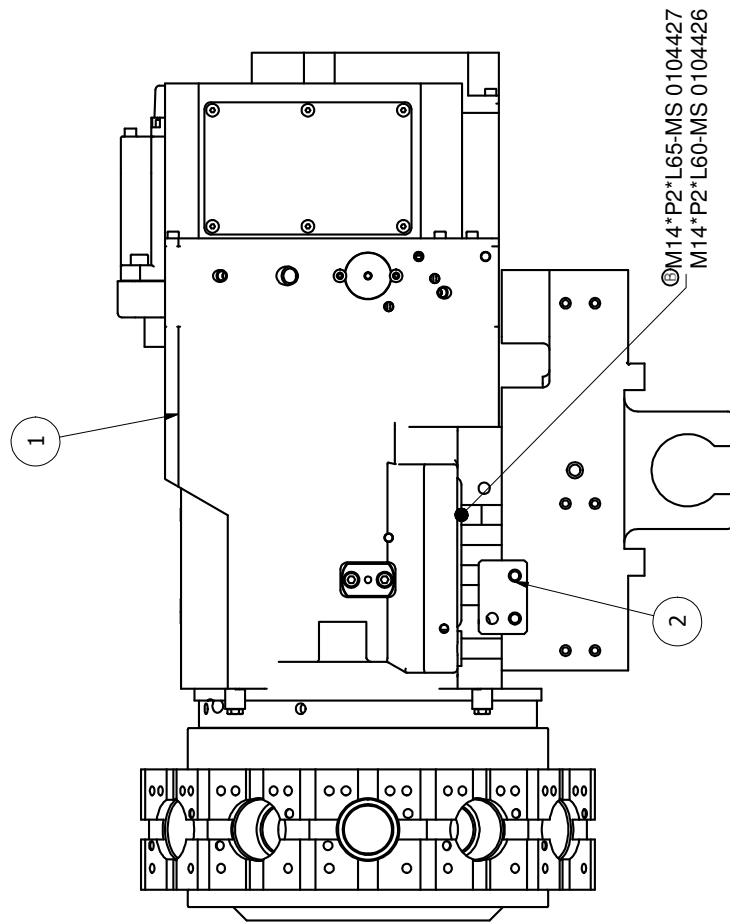
PRODUCT BOM MASTER AND SUB-ITEMS LIST

Master Item Part NO.: NL 000000827A

Description: BMT 45 TURRET W/ LIVE TOOLING
BMT45 動力刀塔組合 (長頸-SIEMENS)

Item Part NO.	Description	中文名稱	Specification	Qty	Unit
1.00	NL 00099650127 LIVE TOOLING BMT45 (LIOSHING)	六鑫 BMT45動力刀塔(長頸式)	LS-200DBR-12-0010	1.00	ST
2.00	BL 000022101A BRACKET	固定塊	L50XW36XH12	1.00	EA
4.00	BL 000799037A COVER,TOOL STATION	刀位護蓋	L75XW75XH2.3 FOR BMT45	12.00	EA

次序	設計變更紀錄	日期	ECN.
A	新增	2017/4/7	...
B	新增料號及備註	2019/4/16	33831



◎ 定位銷(隨機附上)
BL 00032530304

◎ Maintenance Package Part Number : LIO SALE-00264

MODEL: TALENT 42/51

PART NAME	PART NUMBER
BMT 45 TURRET W/ LIVE TOOLING	NL 000000828A
BMT 45 動力刀塔組合 (短鑽-SIEMENS)	PAGE 1 OF 1
DATE 2015/12/13	SCALE 1 : 4
	REV. B

PRODUCT BOM MASTER AND SUB-ITEMS LIST

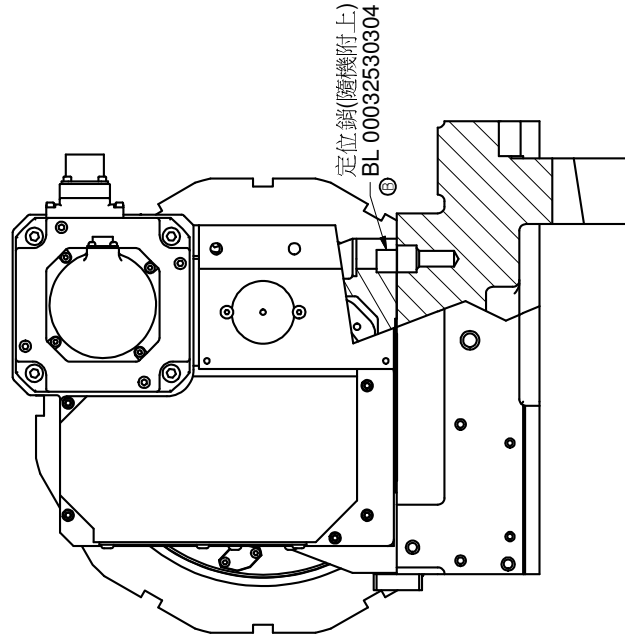
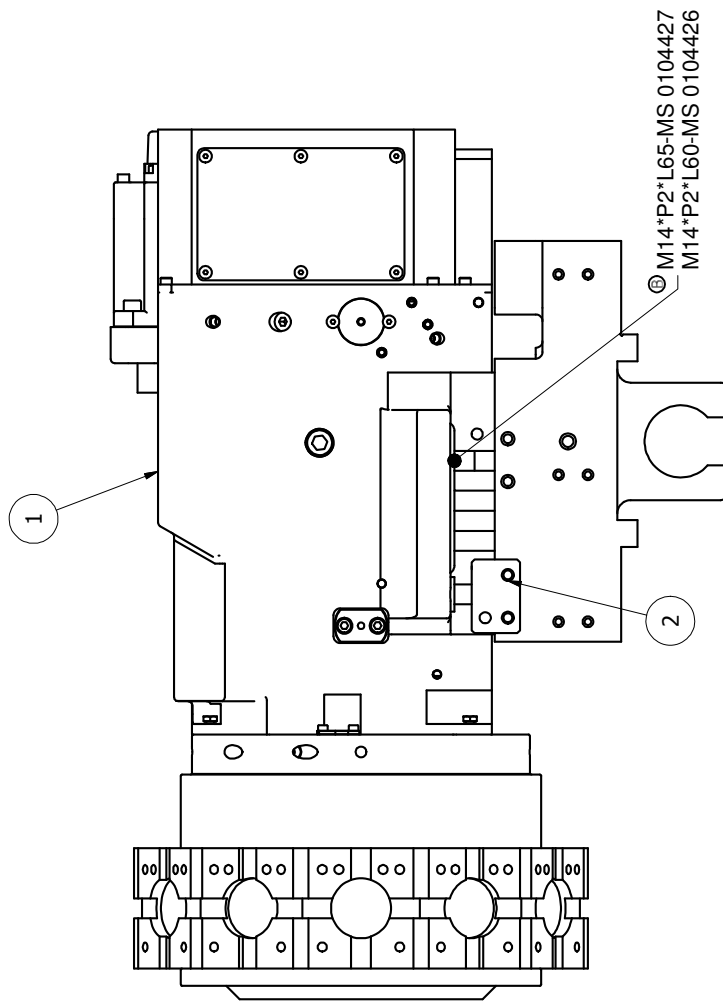
Master Item Part NO.: NL 000000828A

Description: TURRET WITH LIVE TOOLING
BMT45 動力刀塔組合 (短頸-SIEMENS)



Item Part NO.	Description	中文名稱	Specification	Qty	Unit
1.00 NL 00099650128	LIVE TOOLING BMT45 (LIOSHING)	六鑫 BMT45動力刀塔(短頸式)	LS-200DTR-12-0014	1.00	ST
2.00 BL 000022101A	BRACKET	固定塊	L50XW36XH12	1.00	EA
4.00 BL 000799037A	COVER,TOOL STATION	刀位護蓋	L75XW75XH2.3 FOR BMT45	12.00	EA

次序	設計變更紀錄	日期	ECN.
A	釋放	2015/12/13	1004020
B	新增料號及備註	2019/4/16	33831



© Maintenance Package Part Number : LIO SALE-00264

MODEL: TALENT 42/51	
PART NAME	PART NUMBER
BMT 45 TURRET W/ LIVE TOOLING	NL 000000809A
BMT 45 非動力刀塔組合 (長頸)	PAGE 1 OF 1
DATE 2015/12/13	SCALE 1 : 4
	REV. B

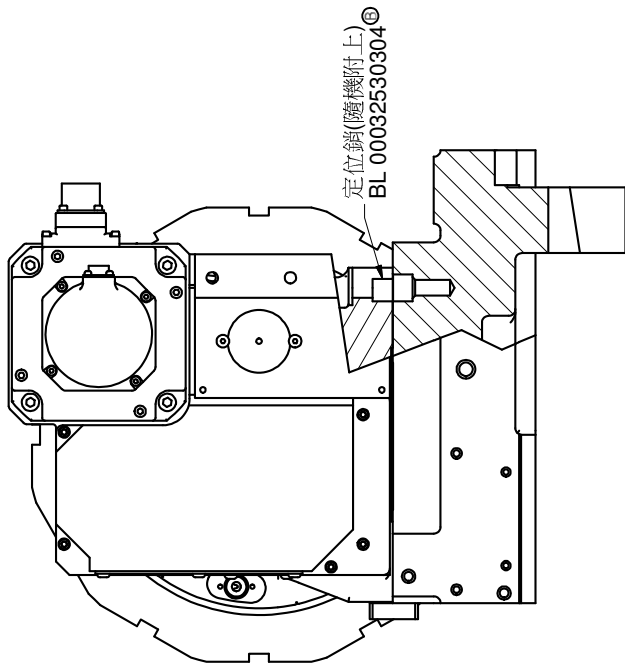
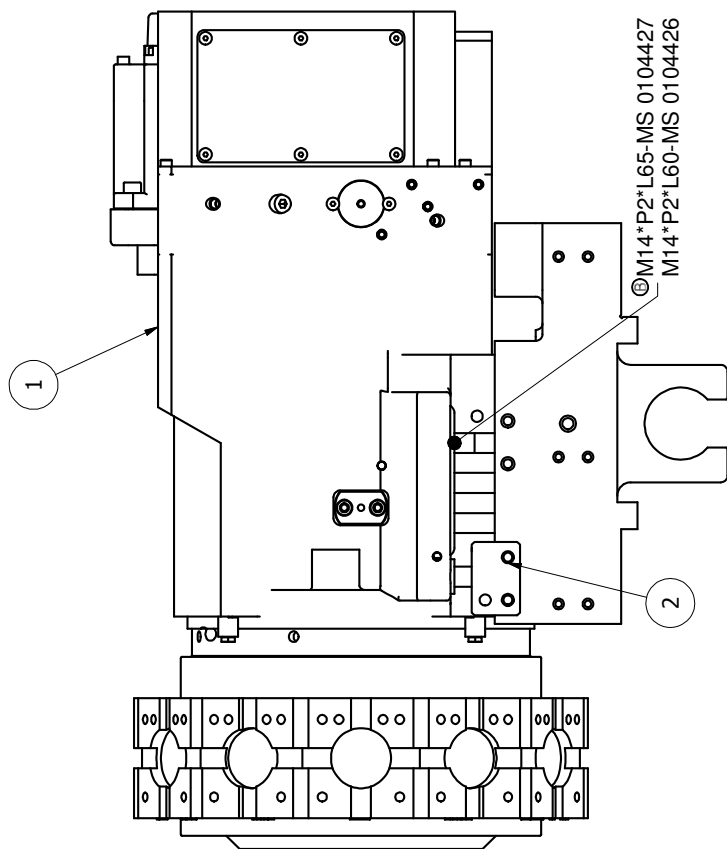
PRODUCT BOM MASTER AND SUB-ITEMS LIST

Master Item Part NO.: NL 000000809A

Description: BMT 45 TURRET W/O LIVE TOOLING
BMT45 非動力刀塔組合 (長頸)

Item Part NO.	Description	中文名稱	Specification	Qty	Unit
1.02	NLA00099650107 BMT45WO LIVE TOOLING(LIOSHING)	六鑫 BMT45無動力刀塔(長頸式)12T	LS-200SB-12-0008	1.00	ST
2.00	BL 000022101A BRACKET	固定塊	L50XW36XH12	1.00	EA

次序	設計變更紀錄	日期	ECN.
A	釋放	2015/12/13	...
B	新增料號及備註	2019/4/16	33831



© Maintenance Package Part Number : LIO SALE-00264

MODEL: TALENT 42/51

PART NAME	PART NUMBER	
BMT 45 TURRET W/ LIVE TOOLING	NL 000000810A	
PAGE	REV.	
BMT 45 非動力刀塔組合 (短頸)	1 OF 1	
DATE	SCALE	REV.
2015/12/13	1 : 4	B

PRODUCT BOM MASTER AND SUB-ITEMS LIST

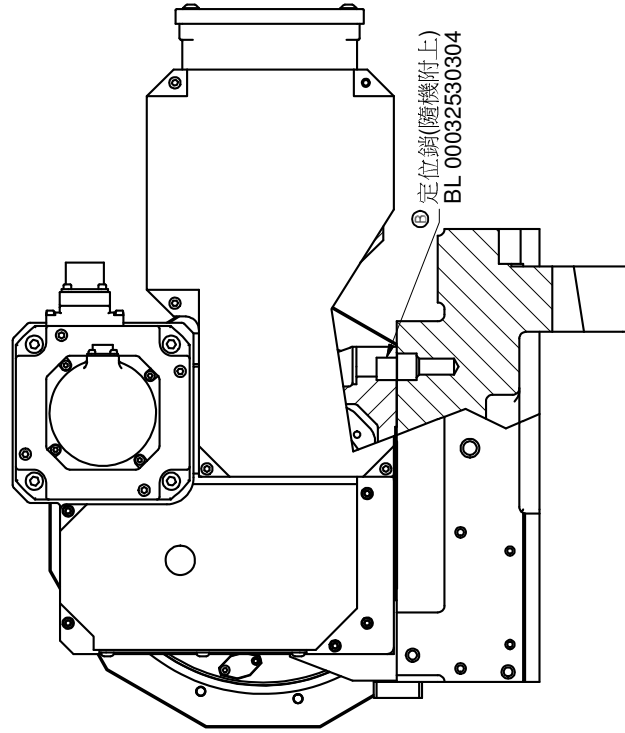
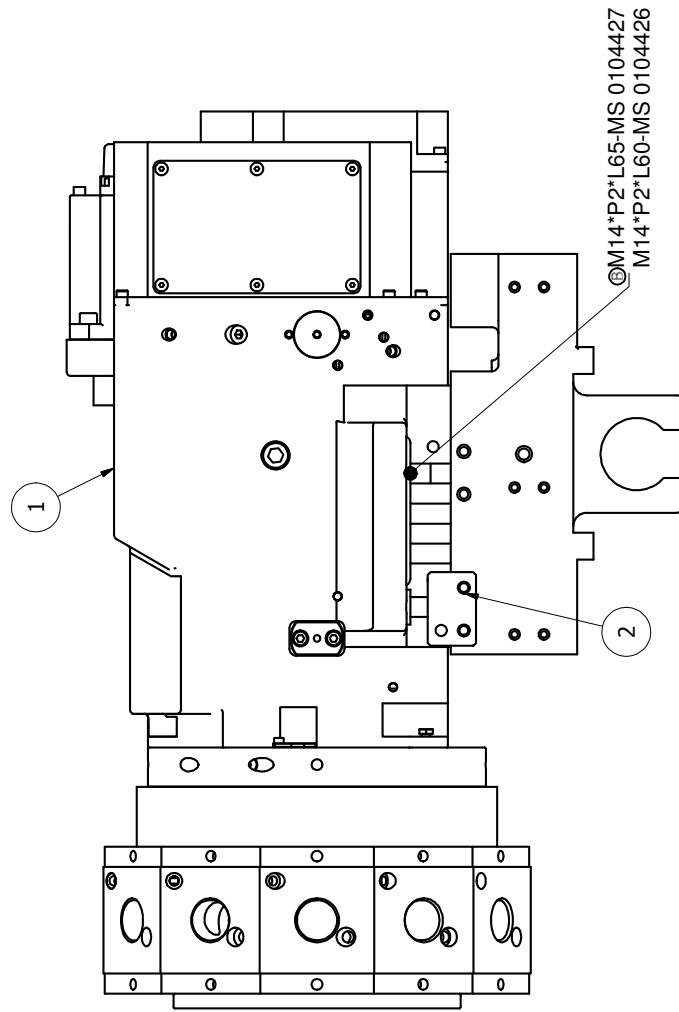
Master Item Part NO.: NL 000000810A

Description: BMT 45 TURRET W/O LIVE TOOLING
BMT45 非動力刀塔組合 (短頸)



Item Part NO.	Description	中文名稱	Specification	Qty	Unit
1.01 NL 00099650108	BMT45WO LIVE TOOLING(LIOSHING)	六鑫 BMT45無動力刀塔(短頸式)12T	LS-200ST-12-0002	1.00	ST
2.00 BL 000022101A	BRACKET	固定塊	L50XW36XH12	1.00	EA

次序	設計變更紀錄	日期	ECN.
A	釋放	2015/12/13	1004020
B	新增料號及備註	2019/4/26	33831



◎ Maintenance Package Part Number : LIO SALE-00283

MODEL: TALENT 42/51

PART NAME	PART NUMBER
VDI 30 TURRET W/ LIVE TOOLING	NL 000000805A
VDI30 動力刀塔組合(長頸-FANUC)	PAGE 1 OF 1
DATE 2015/12/13	SCALE 1:4
	REV. B

PRODUCT BOM MASTER AND SUB-ITEMS LIST

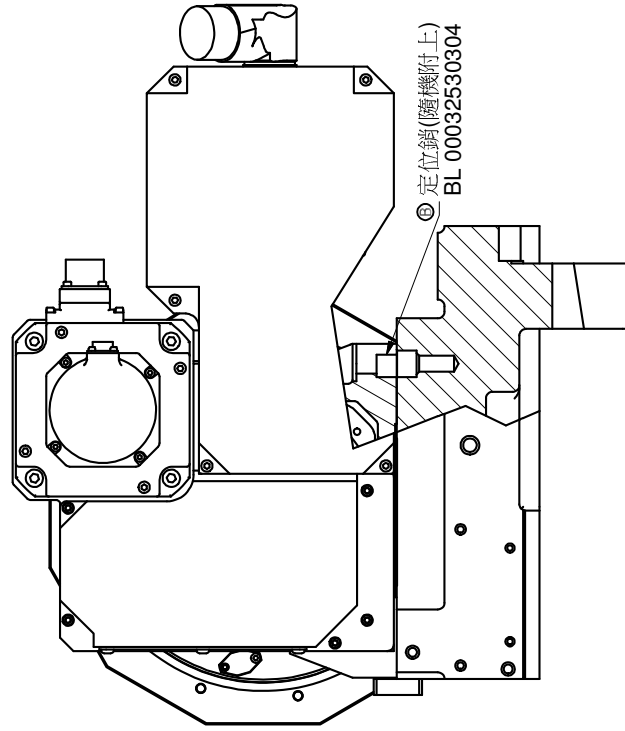
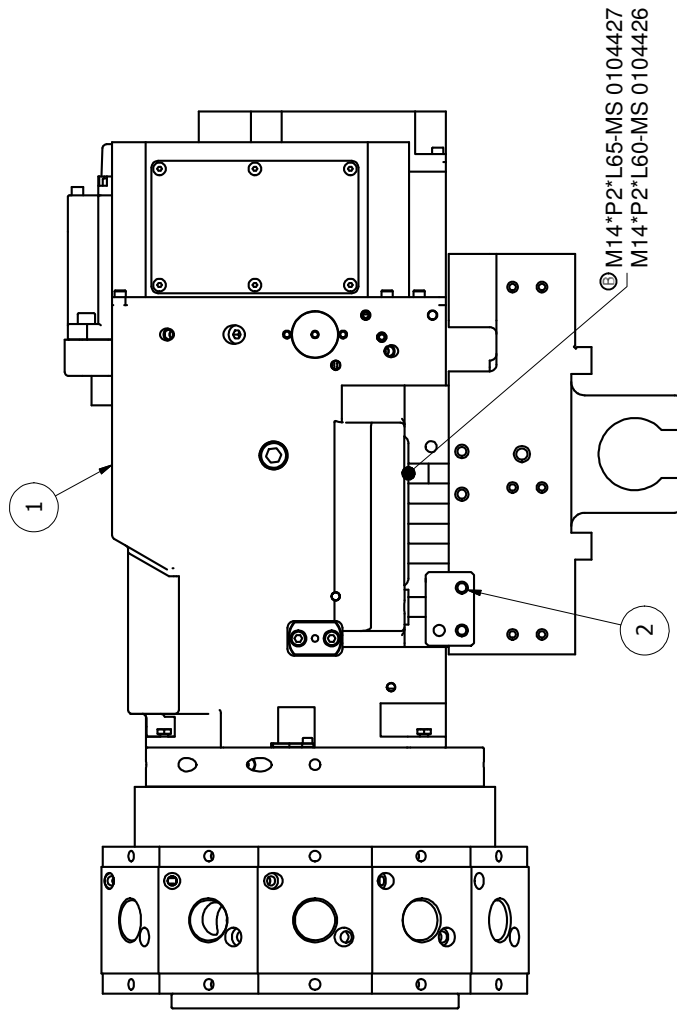
Master Item Part NO.: NL 000000805A

Description: TURRET WITH LIVE TOOLING
VDI30 動力刀塔組合 (長頸-FANUC-5480)



Item Part NO.	Description	中文名稱	Specification	Qty	Unit
1.00 NL 00099650106	LIVE TOOLING VDI30 (LIOSHING)	六鑫 VDI30動力刀塔(5480長頸式)	12T,FANUC LS-200DBR-12-0005	1.00	ST
2.00 BL 000022101A	BRACKET	固定塊	L50XW36XH12	1.00	EA

次序	設計變更紀錄	日期	ECN.
A	釋放	2015/12/13	1004020
B	新增料號及備註	2019/04/16	33831



© Maintenance Package Part Number : LIO SALE-00283

MODEL: TALENT 42/51

PART NAME	PART NUMBER
VDI 30 TURRET W/ LIVE TOOLING	NL 000000806A
VDI30 動力刀塔組合(長頸-SIEMENS)	PAGE 1 OF 1
DATE 2015/12/13	SCALE 1 : 4
	REV. B

PRODUCT BOM MASTER AND SUB-ITEMS LIST

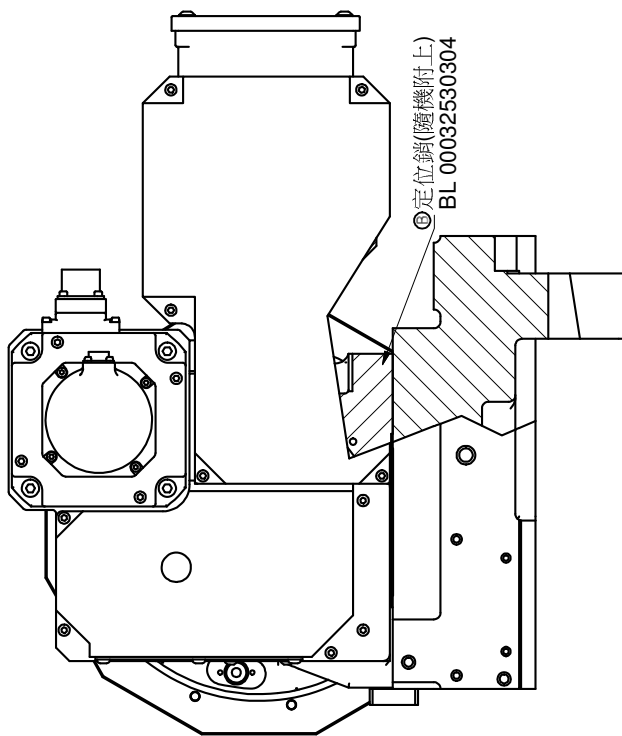
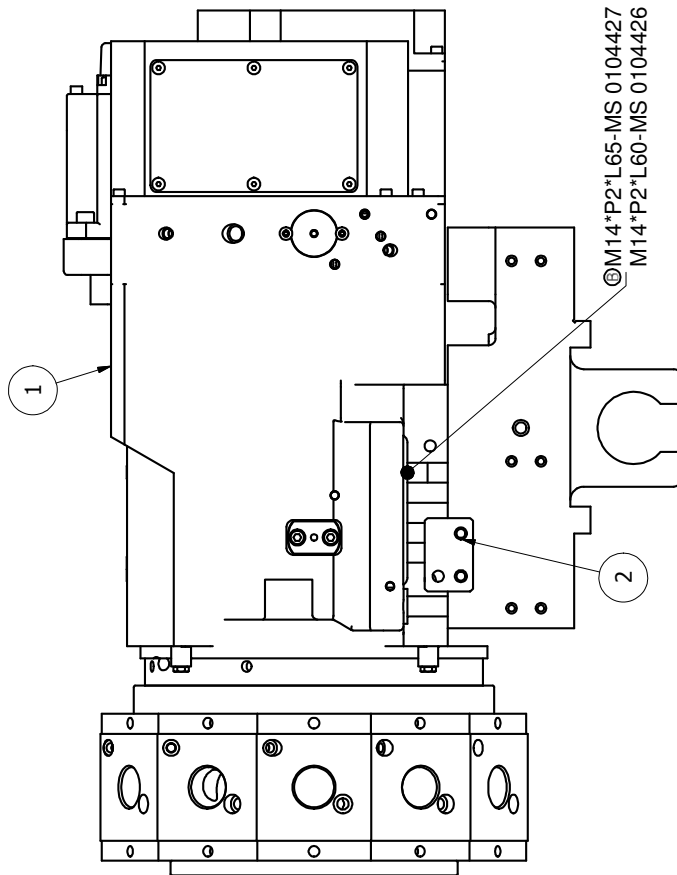
Master Item Part NO.: NL 000000806A

Description: TURRET WITH LIVE TOOLING
VDI30 動力刀塔組合 (長頸-SIEMENS-5480)



Item Part NO.	Description	中文名稱	Specification	Qty	Unit
1.01	NL 00099650109 LIVE TOOLING VDI30 (LIOSHING)	六鑫VDI30 動力刀塔(5480長頸)	SIEMENS LS-200DBR-12-0006	1.00	ST
2.00	BL 000022101A BRACKET	固定塊	L50XW36XH12	1.00	EA

次序	設計變更紀錄	日期	ECN.
A	新增	2015/12/31	...
B	新增料號及備註	2019/4/16	33831



⊙ Maintenance Package Part Number : LIO SALE-00283

MODEL: TALENT 42/51

PART NAME	PART NUMBER
VDI 30 TURRET W/ LIVE TOOLING	NL 000000811A
VDI30 動力刀塔組合(短頸-FANUC)	PAGE 1 OF 1
DATE 2015/12/13	SCALE 1 : 4
	REV. B

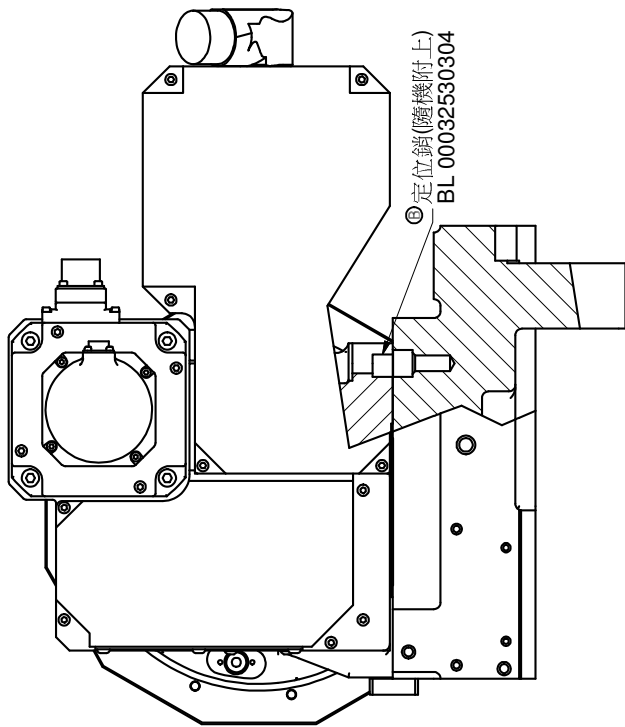
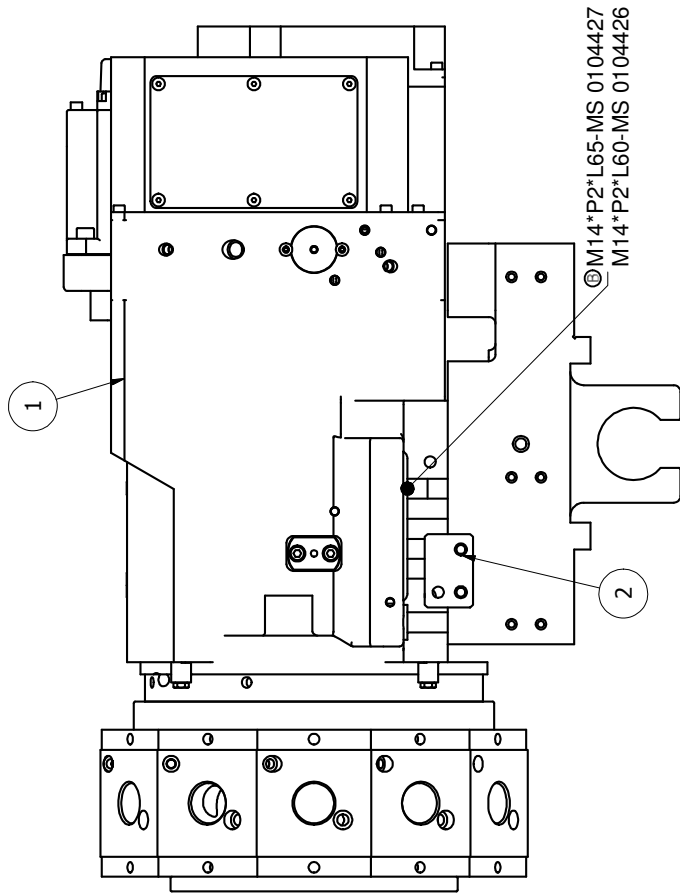
PRODUCT BOM MASTER AND SUB-ITEMS LIST

Master Item Part NO.: NL 000000811A

Description: TURRET WITH LIVE TOOLING
VDI30 動力刀塔組合 (短頸-FANUC-5480)

Item Part NO.	Description	中文名稱	Specification	Qty	Unit
1.01	NL 00099650111 LIVE TOOLING VDI30 (LIOSHING)	六鑫VDI30 動力刀塔(5480短頸式)	12T,FANUC LS-200DTR-12-0012	1.00	ST
2.00	BL 000022101A BRACKET	固定塊	L50XW36XH12	1.00	EA

次序	設計變更紀錄	日期	ECN.
A	新繪	2017/4/7	...
B	新增料號及備註	2019/4/16	33831



◎Maintenance Package Part Number : LIO SALE-00283

MODEL: TALENT 42/51

PART NAME	PART NUMBER
VDI 30 TURRET W/ LIVE TOOLING	NL 000000812A
VDI30 動力刀塔組合(短頸-SIEMENS)	PAGE 1 OF 1
DATE 2015/12/13	SCALE 1 : 4
	REV. B

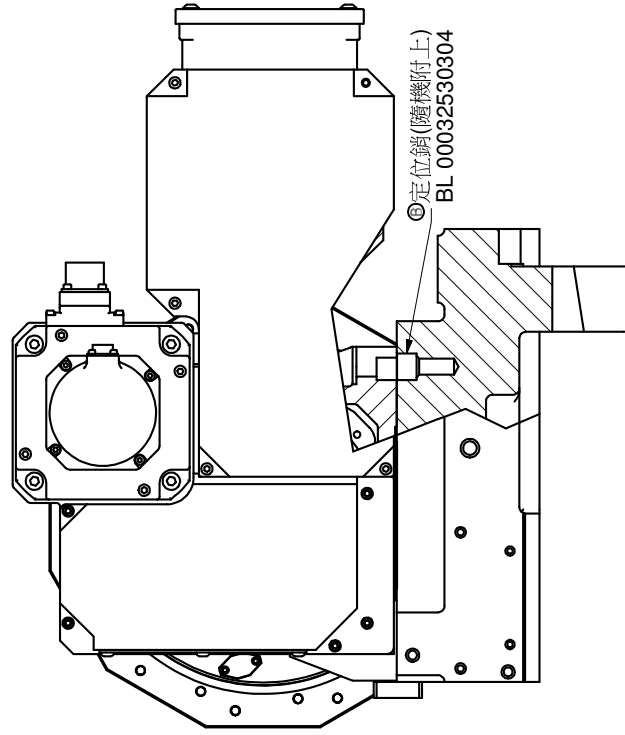
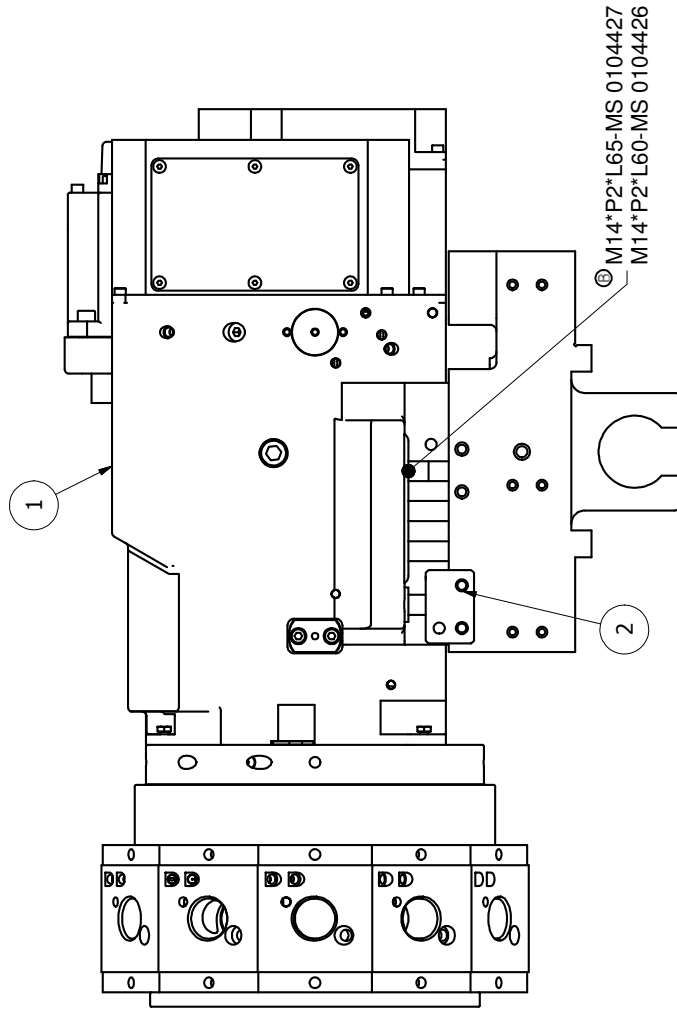
PRODUCT BOM MASTER AND SUB-ITEMS LIST

Master Item Part NO.: NL 000000812A

Description: TURRET WITH LIVE TOOLING
VDI30 動力刀塔組合 (短頸-SIEMENS-5480)

Item Part NO.	Description	中文名稱	Specification	Qty	Unit
1.00 NL 00099650110	LIVE TOOLING VDI30 (LIOSHING)	六鑫VDI30 動力刀塔(5480短頸)	12T,SIEMENS LS-200DTR-12-0013	1.00	ST
2.00 BL 000022101A	BRACKET	固定塊	L50XW36XH12	1.00	EA

次序	設計變更紀錄	日期	ECN.
A	新增	2017/4/5	...
B	新增料號及備註	2019/4/16	33831



© Maintenance Package Part Number : LIO SALE-00282

MODEL: TALENT 42/51

PART NAME	PART NUMBER
VDI 30 TURRET W/ LIVE TOOLING	NL 000000807A
VDI30 動力刀塔組合(長鑽-FANUC)	PAGE 1 OF 1
DATE 2015/12/13	SCALE 1:4
	REV. B

PRODUCT BOM MASTER AND SUB-ITEMS LIST

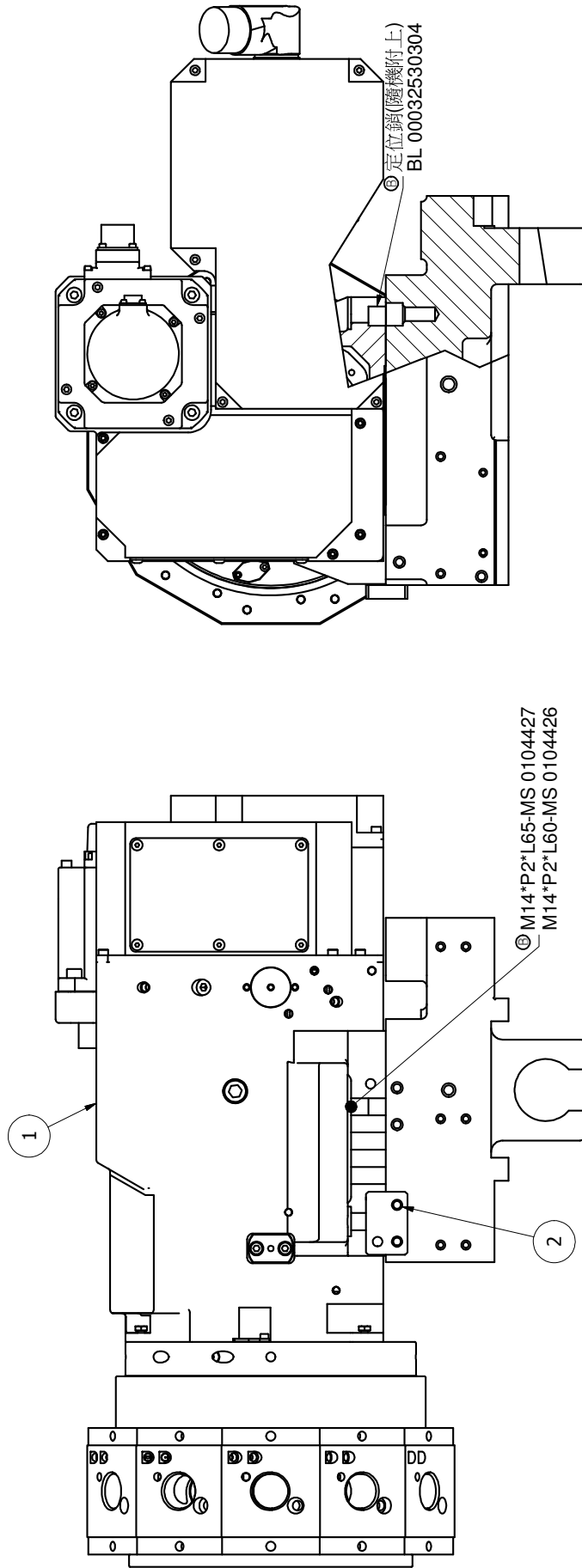
Master Item Part NO.: NL 000000807A

Description: TURRET WITH LIVE TOOLING
VDI30 動力刀塔組合 (長頸-FANUC-1809)



Item Part NO.	Description	中文名稱	Specification	Qty	Unit
1.01	NL 00099650116 LIVE TOOLING VDI30 (LIOSHING)	六鑫 VDI30動力刀塔(1809長頸式)	12T,FANUC LS-200DBR-12-0007	1.00	ST
2.00	BL 000022101A BRACKET	固定塊	L50XW36XH12	1.00	EA

次序	設計變更紀錄	日期	ECN.
A	新繪	2017/4/5	...
B	新增料號及備註	2019/4/16	33831



© Maintenance Package Part Number : LIO SALE-00282

MODEL: TALENT 42/51

PART NAME	PART NUMBER
VDI 30 TURRET W/ LIVE TOOLING	NL 000000808A
VDI30 動力刀塔組合(長頸-SIEMENS)	PAGE 1 OF 1
DATE 2015/12/13	SCALE 1 : 4
	REV. B

PRODUCT BOM MASTER AND SUB-ITEMS LIST

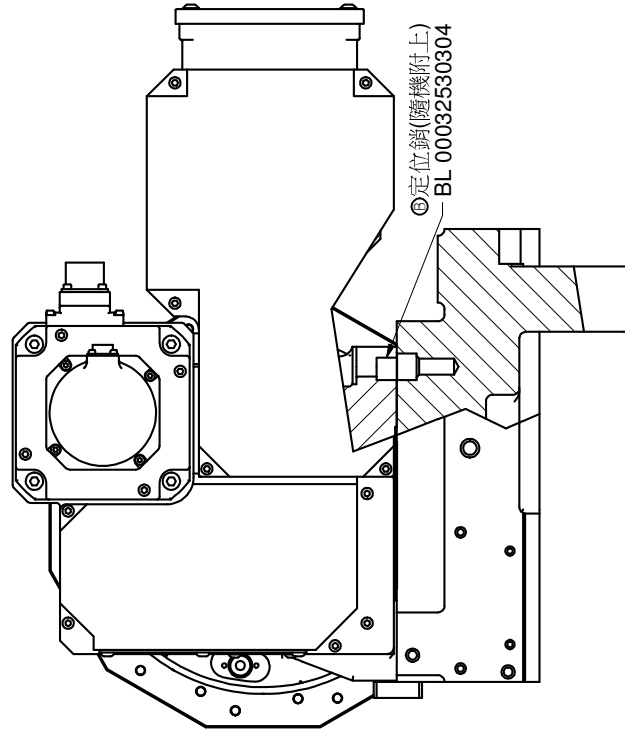
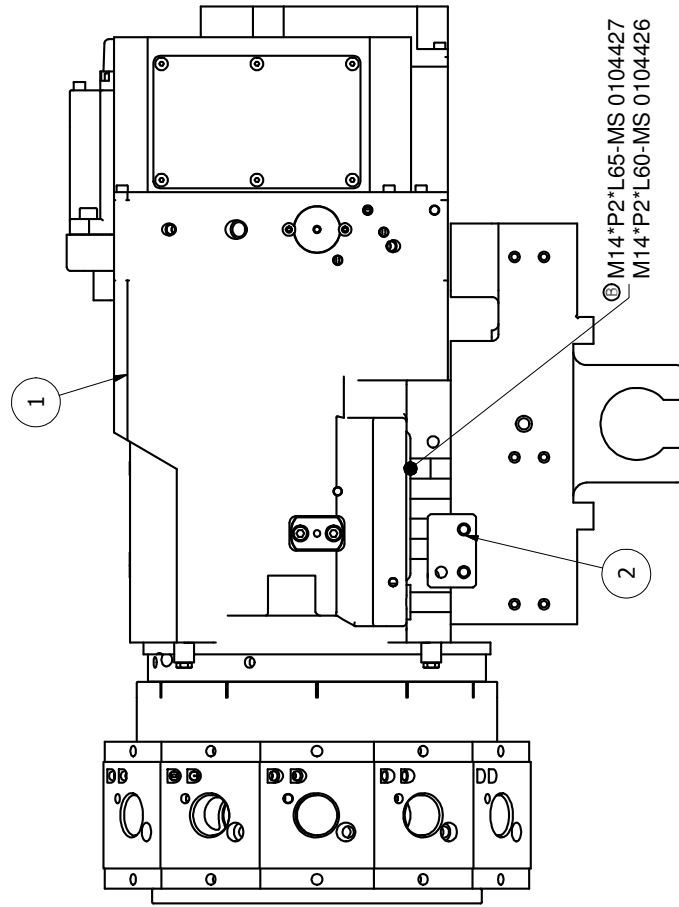
Master Item Part NO.: NL 000000808A

Description: TURRET WITH LIVE TOOLING
VDI30 動力刀塔組合 (長頸-SIEMENS-1809)



Item Part NO.	Description	中文名稱	Specification	Qty	Unit
1.01	NL 00099650117 LIVE TOOLING VDI30 (LIOSHING)	六鑫VDI30 動力刀塔(1809長頸)	12T,SIEMENS LS-200DBR-12-0012	1.00	ST
2.00	BL 000022101A BRACKET	固定塊	L50XW36XH12	1.00	EA

次序	設計變更紀錄	日期	ECN.
A	新繪	2017/4/7	...
B	新增料號及備註	2019/4/16	33831



©Maintenance Package Part Number : LIO SALE-00282

MODEL: TALENT 42/51

PART NAME	PART NUMBER
VDI 30 TURRET W/ LIVE TOOLING	NL 000000815A
VDI30 動力刀塔組合(短頸-FANUC)	PAGE 1 OF 1
DATE 2015/12/13	SCALE 1:4
	REV. B

PRODUCT BOM MASTER AND SUB-ITEMS LIST

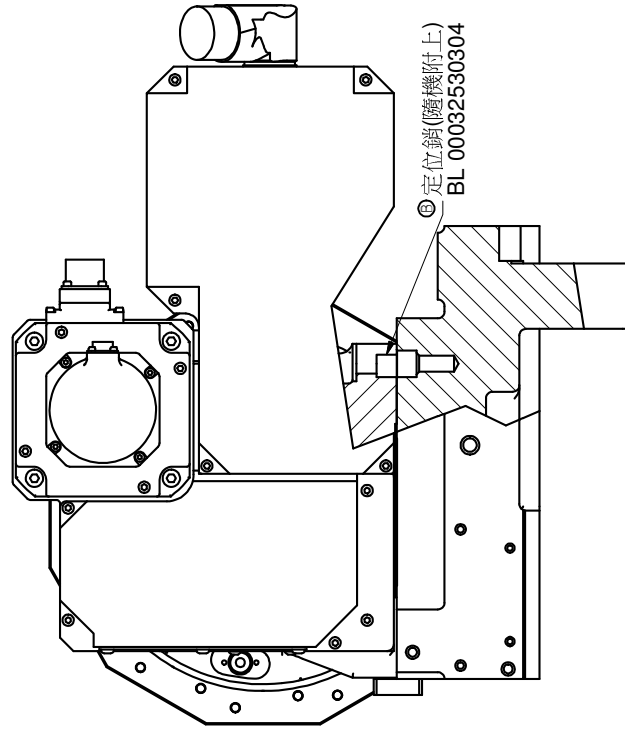
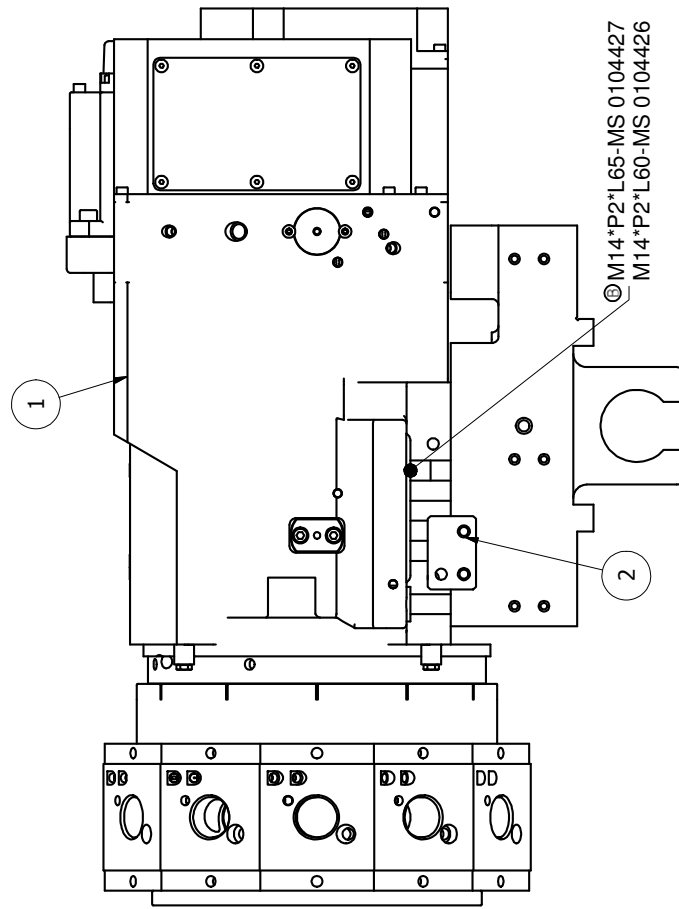
Master Item Part NO.: NL 000000815A

Description: TURRET WITH LIVE TOOLING
VDI30 動力刀塔組合 (短頸-FANUC-1809)



Item Part NO.	Description	中文名稱	Specification	Qty	Unit
1.01 NL 00099650118	LIVE TOOLING VDI30 (LIOSHING)	六鑫 VDI30動力刀塔(1809短頸式)	12T,FANUC LS-200DTR-12-0016	1.00	ST
2.00 BL 000022101A	BRACKET	固定塊	L50XW36XH12	1.00	EA

次序	設計變更紀錄	日期	ECN.
A	新繪	2017/4/7	...
B	新增料號及備註	2019/4/16	33831



© Maintenance Package Part Number : LIO SALE-00282

MODEL: TALENT 42/51

PART NAME	PART NUMBER
VDI 30 TURRET W/ LIVE TOOLING	NL 000000816A
VDI30 動力刀塔組合 (短頸-SIEMENS)	PAGE 1 OF 1
DATE 2015/12/13	SCALE 1 : 4
	REV. B

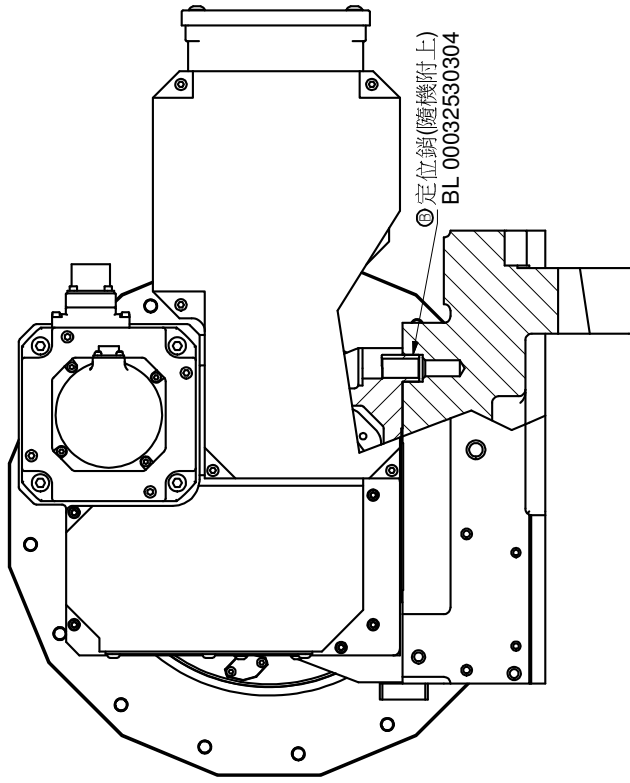
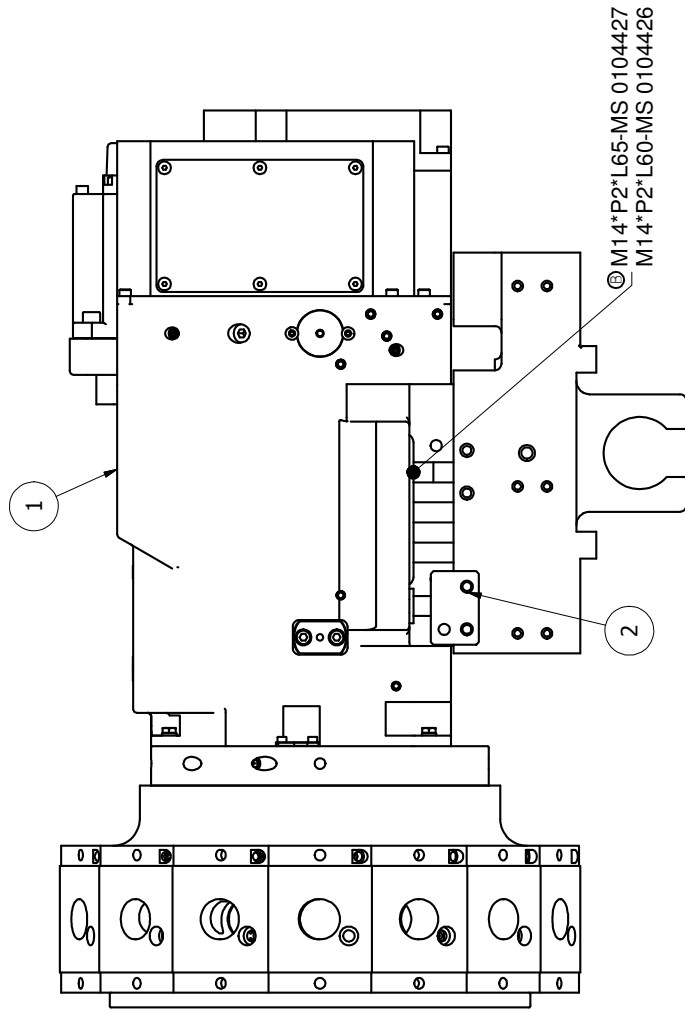
PRODUCT BOM MASTER AND SUB-ITEMS LIST

Master Item Part NO.: NL 000000816A

Description: TURRET WITH LIVE TOOLING
VDI30 動力刀塔組合 (短頸-SIEMENS-1809)

Item Part NO.	Description	中文名稱	Specification	Qty	Unit
1.01	NL 00099650119 LIVE TOOLING VDI30 (LIOSHING)	六鑫VDI30 動力刀塔(1809短頸)	12T,SIEMENS LS-200DTR-12-0017	1.00	ST
2.00	BL 000022101A BRACKET	固定塊	L50XW36XH12	1.00	EA

次序	設計變更紀錄	日期	ECN.
A	新增	2017/4/5	...
B	新增料號及備註	2019/4/16	33831



© Maintenance Package Part Number : LIO SALE-00283

MODEL: TALENT 42/51

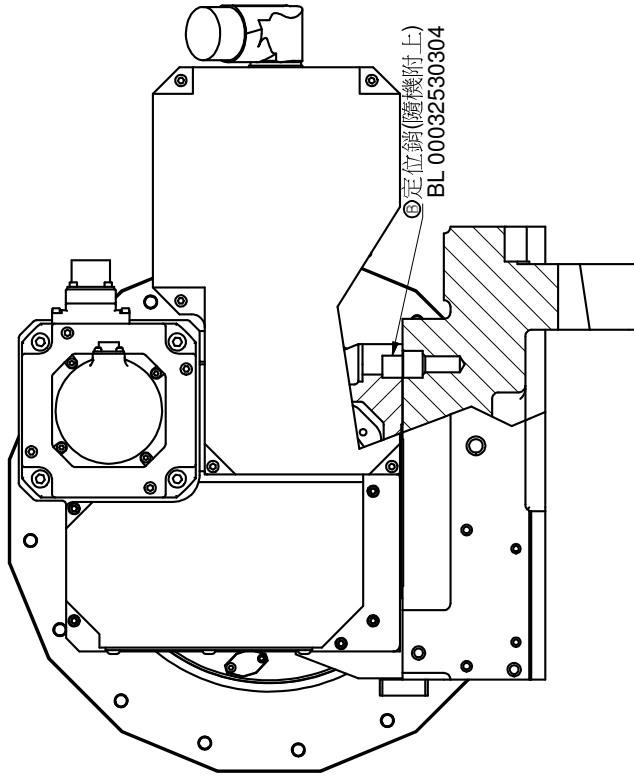
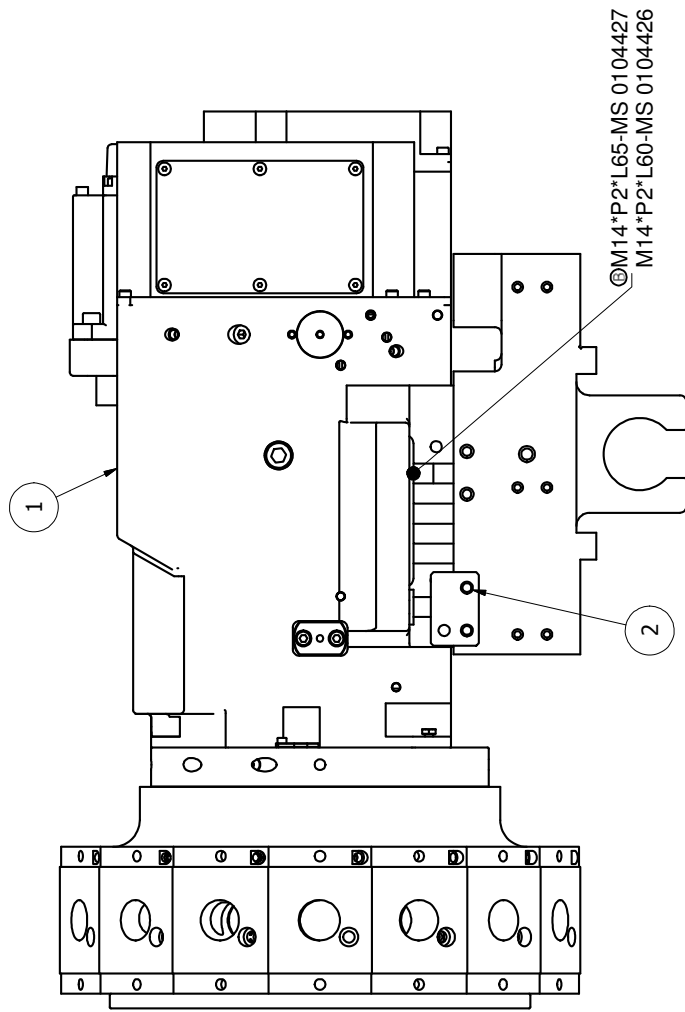
PART NAME		PART NUMBER	
VDI 30 TURRET W/ LIVE TOOLING		NL 000000837A	
VDI30 動力刀塔組合(長鑽-FANUC)		PAGE	1 OF 1
DATE	2015/12/13	SCALE	1 : 4
		REV.	B

PRODUCT BOM MASTER AND SUB-ITEMS LIST

Master Item Part NO.: NL 000000837A
Description: VDI 30-5480-16T TURRET
VDI30 動力刀塔組合 (長頸-FAUNC-5480-16)

Item Part NO.	Description	中文名稱	Specification	Qty	Unit
1.01	NL 00099650133 LIVE TOOLING VDI30 (LIOSHING)	六鑫 VDI30動力刀塔(5480長頸式)	16T, FANUC LS-200DBR-16-0006	1.00	ST
2.00	BL 000022101A BRACKET	固定塊	L50XW36XH12	1.00	EA

次序	設計變更紀錄	日期	ECN.
A	新增	2017/4/5	...
B	新增料號及備註	2019/4/16	33831



© Maintenance Package Part Number : LIO SALE-00283

MODEL: TALENT 42/51

PART NAME	PART NUMBER
VDI 30 TURRET W/ LIVE TOOLING	NL 000000838A
DATE	PAGE
2015/12/13	1 OF 1
SCALE	REV.
1 : 4	B

PRODUCT BOM MASTER AND SUB-ITEMS LIST

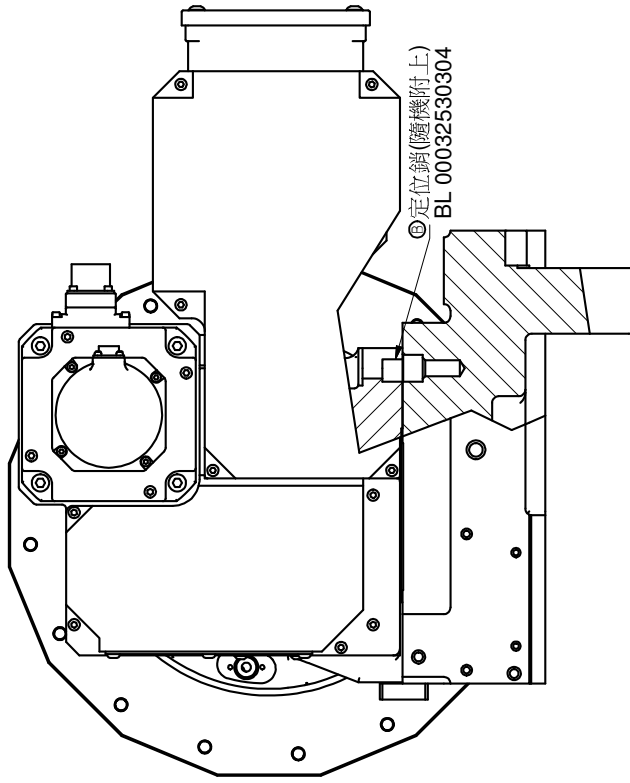
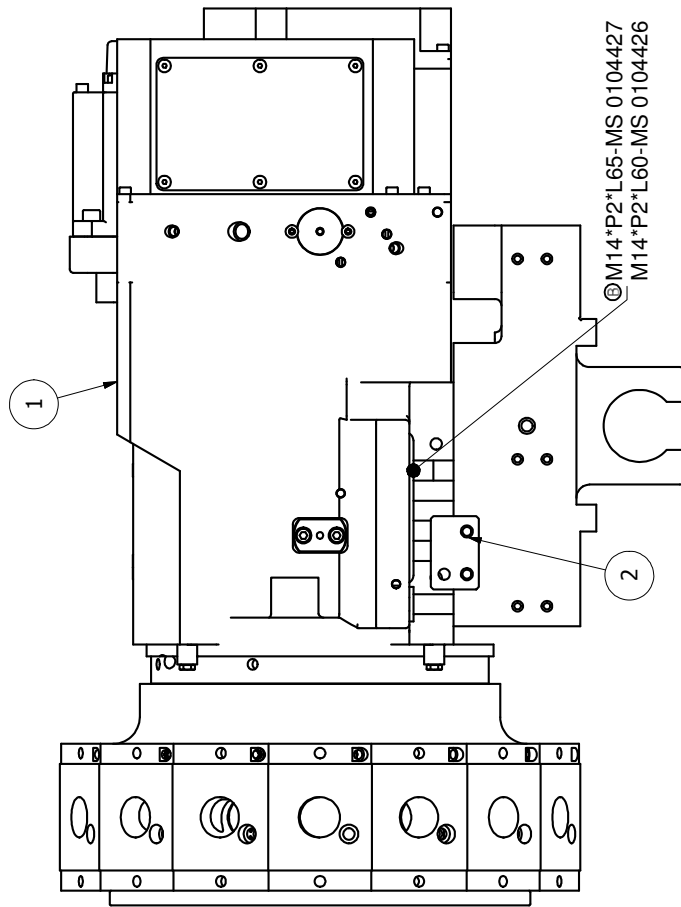
Master Item Part NO.: NL 000000838A

Description: VDI 30-5480-16T TURRET

VDI30 動力刀塔 (長頸-SIEMENS-5480-16

Item Part NO.	Description	中文名稱	Specification	Qty	Unit
1.01	NL 00099650134 LIVE TOOLING VDI30 (LIOSHING)	六鑫VDI30動力刀塔(5480長頸)	16T,SIEMENS LS-200DBR-16-0004	1.00	ST
2.00	BL 000022101A BRACKET	固定塊	L50XW36XH12	1.00	EA

次序	設計變更紀錄	日期	ECN.
A	新繪	2017/4/5	...
B	新增料號及備註	2019/4/16	33831



© Maintenance Package Part Number : LIO SALE-00283

MODEL: TALENT 42/51

PART NAME		PART NUMBER	
VDI 30 TURRET W/ LIVE TOOLING		NL 000000839A	
VDI30 動力刀塔組合(短頸-FANUC)		PAGE	1 OF 1
DATE	2015/12/13	SCALE	1 : 4
		REV.	B

PRODUCT BOM MASTER AND SUB-ITEMS LIST

Master Item Part NO.: NL 000000839A

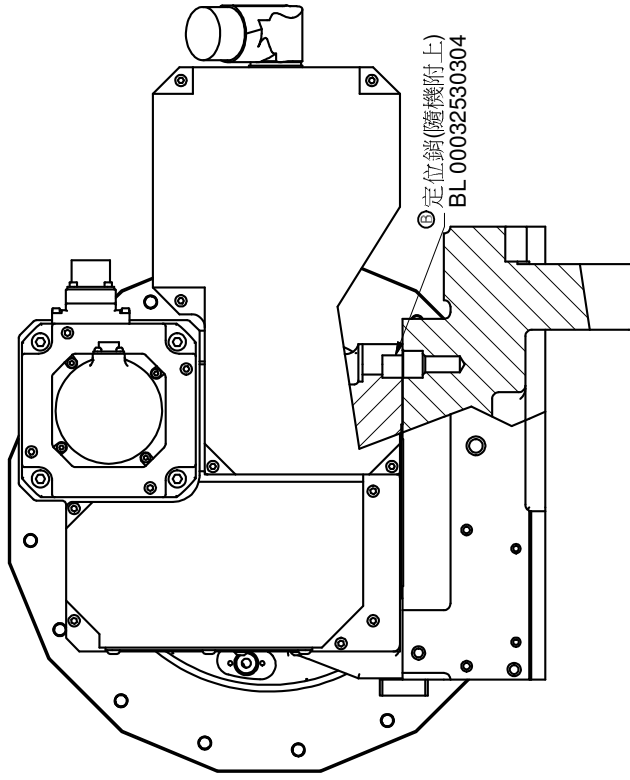
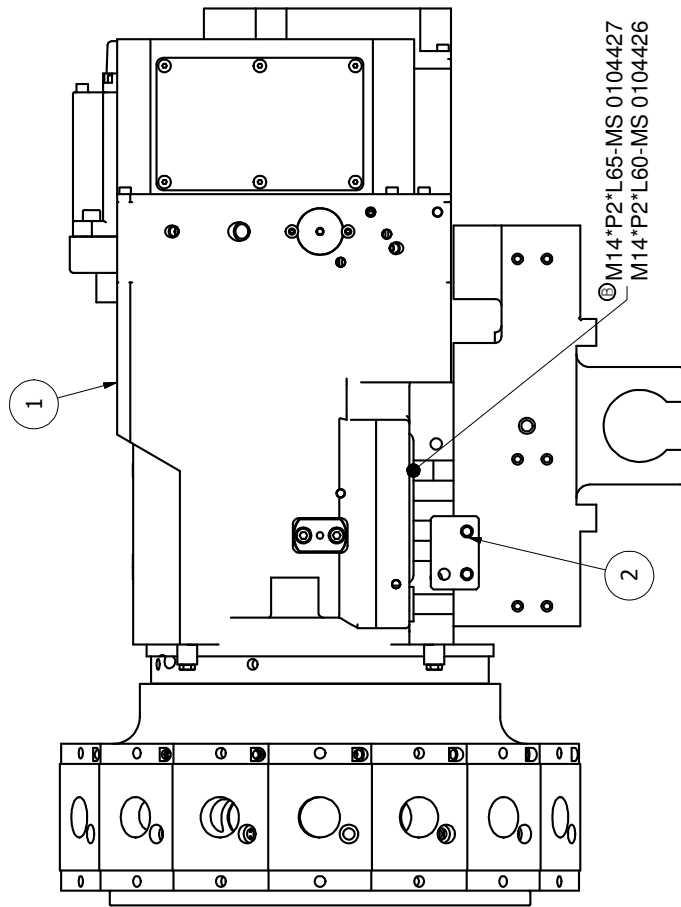
Description: VDI 30-5480-16T TURRET

VDI30 動力刀塔組合 (短頸-FAUNC-5480-16



Item Part NO.	Description	中文名稱	Specification	Qty	Unit
1.00 NL 00099650135	LIVE TOOLING VDI30 (LIOSHING)	六鑫 VDI30動力刀塔(5480短頸式)	16T, FANUC LS-200DTR-16-0006	1.00	ST
2.00 BL 000022101A	BRACKET	固定塊	L50XW36XH12	1.00	EA

次序	設計變更紀錄	日期	ECN.
A	新繪	2017/4/5	...
B	新增料號及備註	2019/4/16	33831



© Maintenance Package Part Number : LIO SALE-00283

MODEL: TALENT 42/51

PART NAME	PART NUMBER
VDI 30 TURRET W/ LIVE TOOLING	NL 000000840A
DATE	PAGE
2015/12/13	1 OF 1
SCALE	REV.
1 : 4	B

PRODUCT BOM MASTER AND SUB-ITEMS LIST

Master Item Part NO.: NL 000000840A

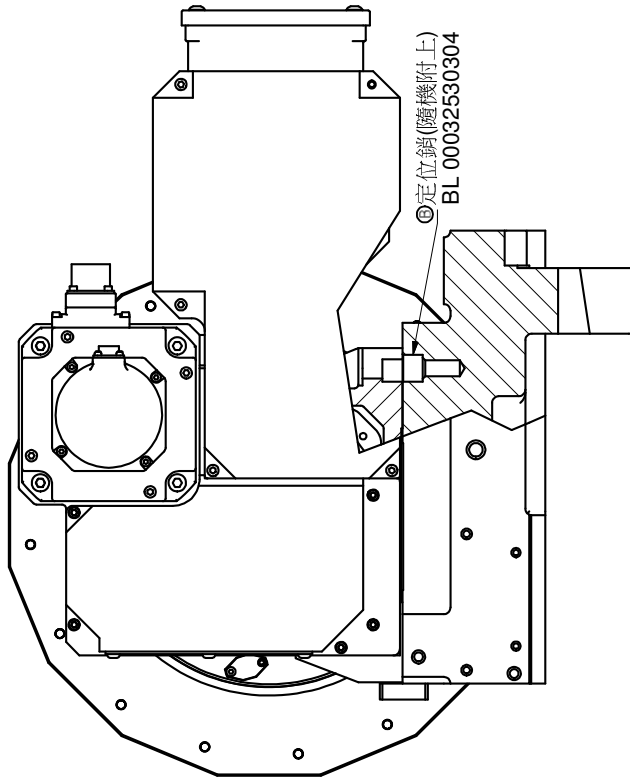
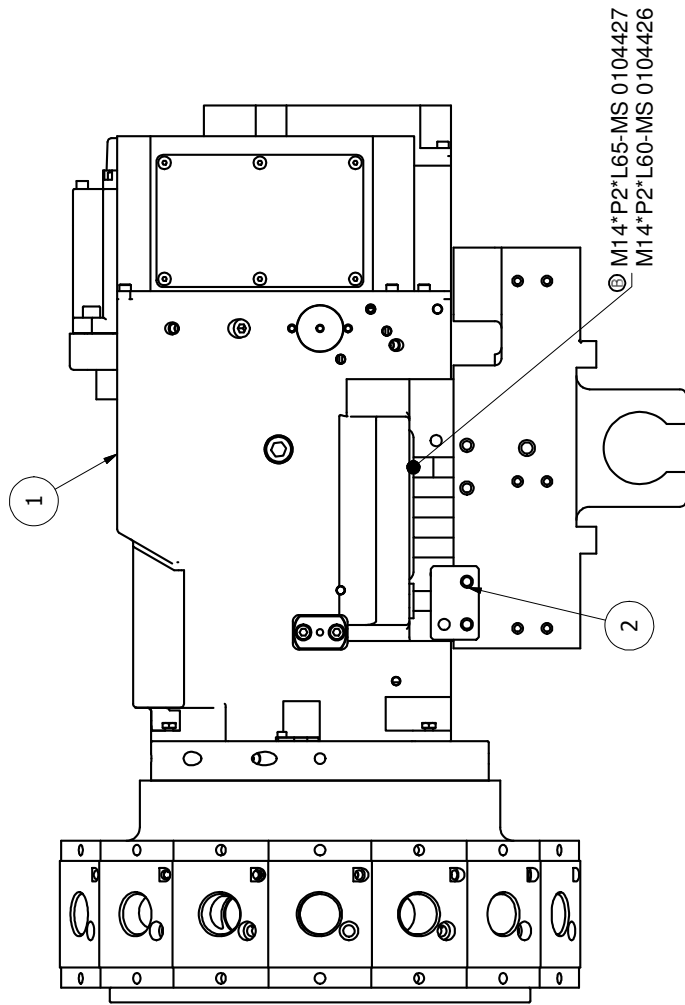
Description: VDI 30-5480-16T TURRET

VDI30 動力刀塔 (短頸-SIEMENS-5480-16



Item Part NO.	Description	中文名稱	Specification	Qty	Unit
1.00	NL 00099650136 LIVE TOOLING VDI30 (LIOSHING)	六鑫VDI30 動力刀塔(5480短頸)	16T,SIEMENS LS-200DTR-16-0004	1.00	ST
2.00	BL 000022101A BRACKET	固定塊	L50XW36XH12	1.00	EA

次序	設計變更紀錄	日期	ECN.
A	新繪	2017/4/5	...
B	新增料號及備註	2019/4/16	33831



◎ Maintenance Package Part Number : LIO SALE-00282

MODEL: TALENT 42/51

PART NAME	PART NUMBER
VDI 30 TURRET W/ LIVE TOOLING	NL 000000833A
VDI30 動力刀塔組合(長鑽-FANUC)	PAGE 1 OF 1
DATE 2015/12/13	SCALE 1 : 4
	REV. B

PRODUCT BOM MASTER AND SUB-ITEMS LIST

Master Item Part NO.: NL 000000833A

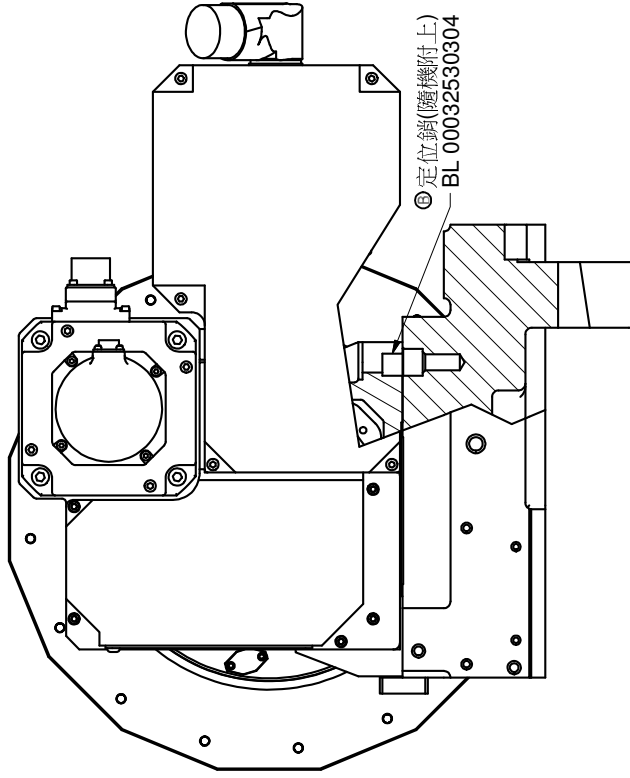
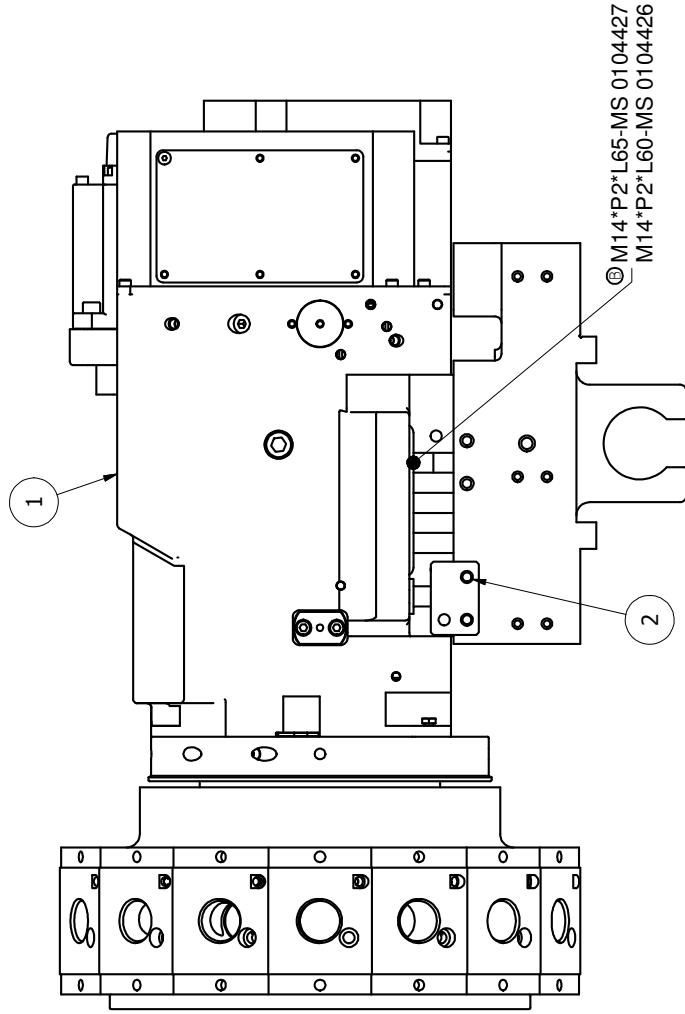
Description: VDI 30-1809-16T TURRET

VDI30 動力刀塔組合 (長頸-FAUNC-1809-16



Item Part NO.	Description	中文名稱	Specification	Qty	Unit
1.01	NL 00099650129 LIVE TOOLING VDI30 (LIOSHING)	六鑫 VDI30動力刀塔(1809長頸式)	16T, FANUC LS-200DBR-16-0005	1.00	ST
2.00	BL 000022101A BRACKET	固定塊	L50XW36XH12	1.00	EA

次序	設計變更紀錄	日期	ECN.
A	新繪	2017/4/5	...
B	新增料號及備註	2019/4/16	33831



◎ Maintenance Package Part Number : LIO SALE-00282

MODEL: TALENT 42/51

PART NAME	PART NUMBER
VDI 30 TURRET W/ LIVE TOOLING	NL 000000834A
DATE	PAGE
2015/12/13	1 OF 1
SCALE	REV.
1 : 4	B

PRODUCT BOM MASTER AND SUB-ITEMS LIST

Master Item Part NO.: NL 000000834A

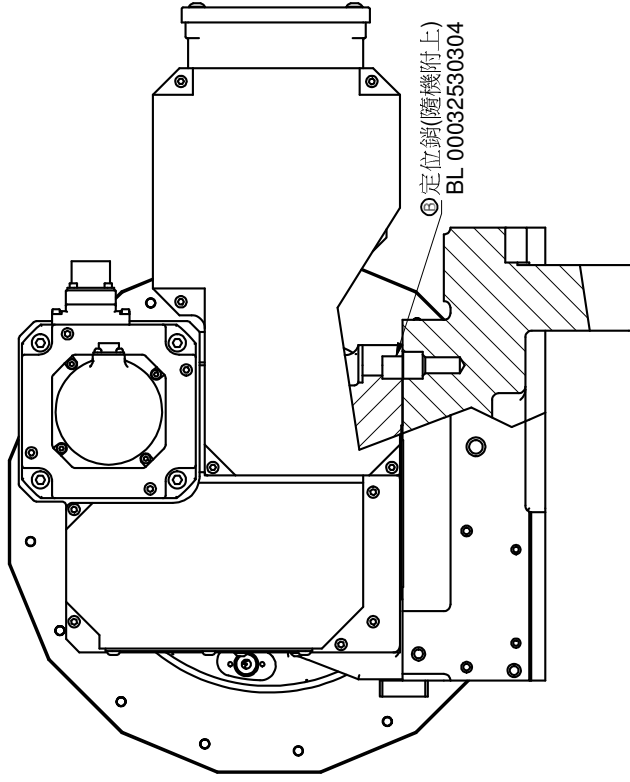
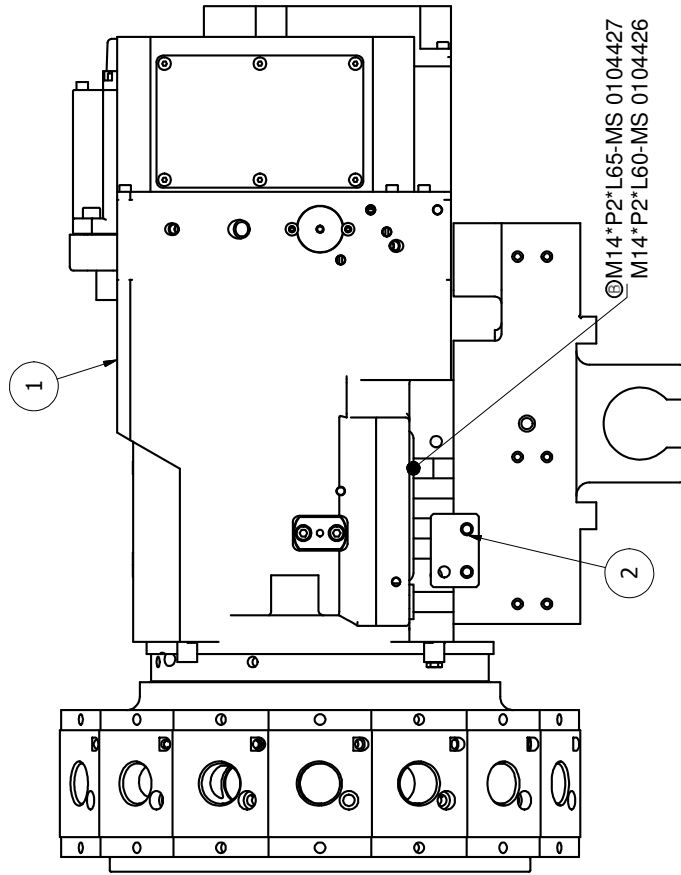
Description: VDI 30-1809-16T TURRET

VDI30 動力刀塔 (長頸-SIEMENS-1809-16



Item Part NO.	Description	中文名稱	Specification	Qty	Unit
1.01	NL 00099650130 LIVE TOOLING VDI30 (LIOSHING)	六鑫VDI30 動力刀塔(1809長頸)	16T,SIEMENS LS-200DBR-16-0003	1.00	ST
2.00	BL 000022101A BRACKET	固定塊	L50XW36XH12	1.00	EA

次序	設計變更紀錄	日期	ECN.
A	新增	2017/4/5	...
B	新增料號及備註	2019/4/16	33831



© Maintenance Package Part Number : LIO SALE-00282

MODEL: TALENT 42/51

PART NAME		PART NUMBER	
VDI 30 TURRET W/ LIVE TOOLING		NL 000000835A	
VDI30 動力刀塔組合(短鑽-FANUC)		PAGE	1 OF 1
DATE	2015/12/13	SCALE	1 : 4
		REV.	B

PRODUCT BOM MASTER AND SUB-ITEMS LIST

Master Item Part NO.: NL 000000835A

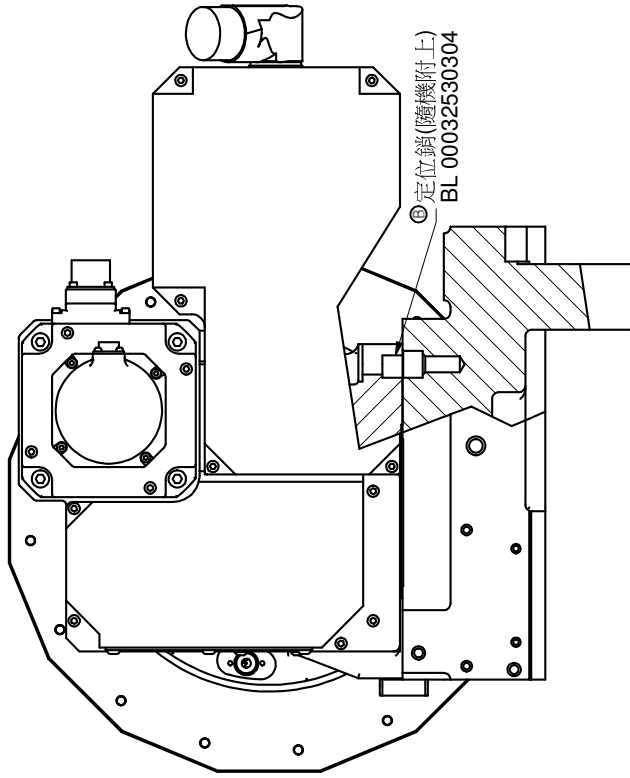
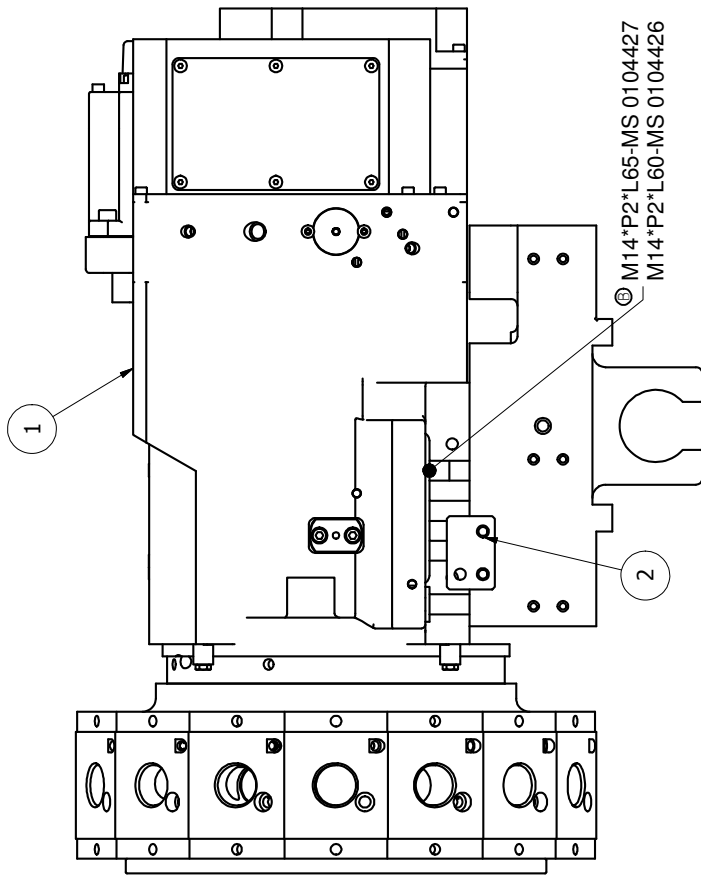
Description: VDI 30-1809-16T TURRET

VDI30 動力刀塔組合 (短頸-FAUNC-1809-16



Item Part NO.	Description	中文名稱	Specification	Qty	Unit
1.00 NL 00099650131	LIVE TOOLING VDI30 (LIOSHING)	六鑫 VDI30動力刀塔(1809短頸式)	16T, FANUC LS-200DTR-16-0005	1.00	ST
2.00 BL 000022101A	BRACKET	固定塊	L50XW36XH12	1.00	EA

次序	設計變更紀錄	日期	ECN.
A	新繪	2017/4/5	...
B	新增料號及備註	2019/4/16	33831



© Maintenance Package Part Number : LIO SALE-00282

MODEL: TALENT 42/51

PART NAME	PART NUMBER
VDI 30 TURRET W/ LIVE TOOLING	NL 000000836A
VDI30 動力刀塔組合(短頸-SIEMENS)	PAGE 1 OF 1
DATE 2015/12/13	SCALE 1 : 4
	REV. B

PRODUCT BOM MASTER AND SUB-ITEMS LIST

Master Item Part NO.: NL 000000836A

Description: VDI 30-1809-16T TURRET

VDI30 動力刀塔 (短頸-SIEMENS-1809-16



Item Part NO.	Description	中文名稱	Specification	Qty	Unit
1.00 NL 00099650132	LIVE TOOLING VDI30 (LIOSHING)	六鑫VDI30 動力刀塔(1809短頸)	16T,SIEMENS LS-200DTR-16-0003	1.00	ST
2.00 BL 000022101A	BRACKET	固定塊	L50XW36XH12	1.00	EA

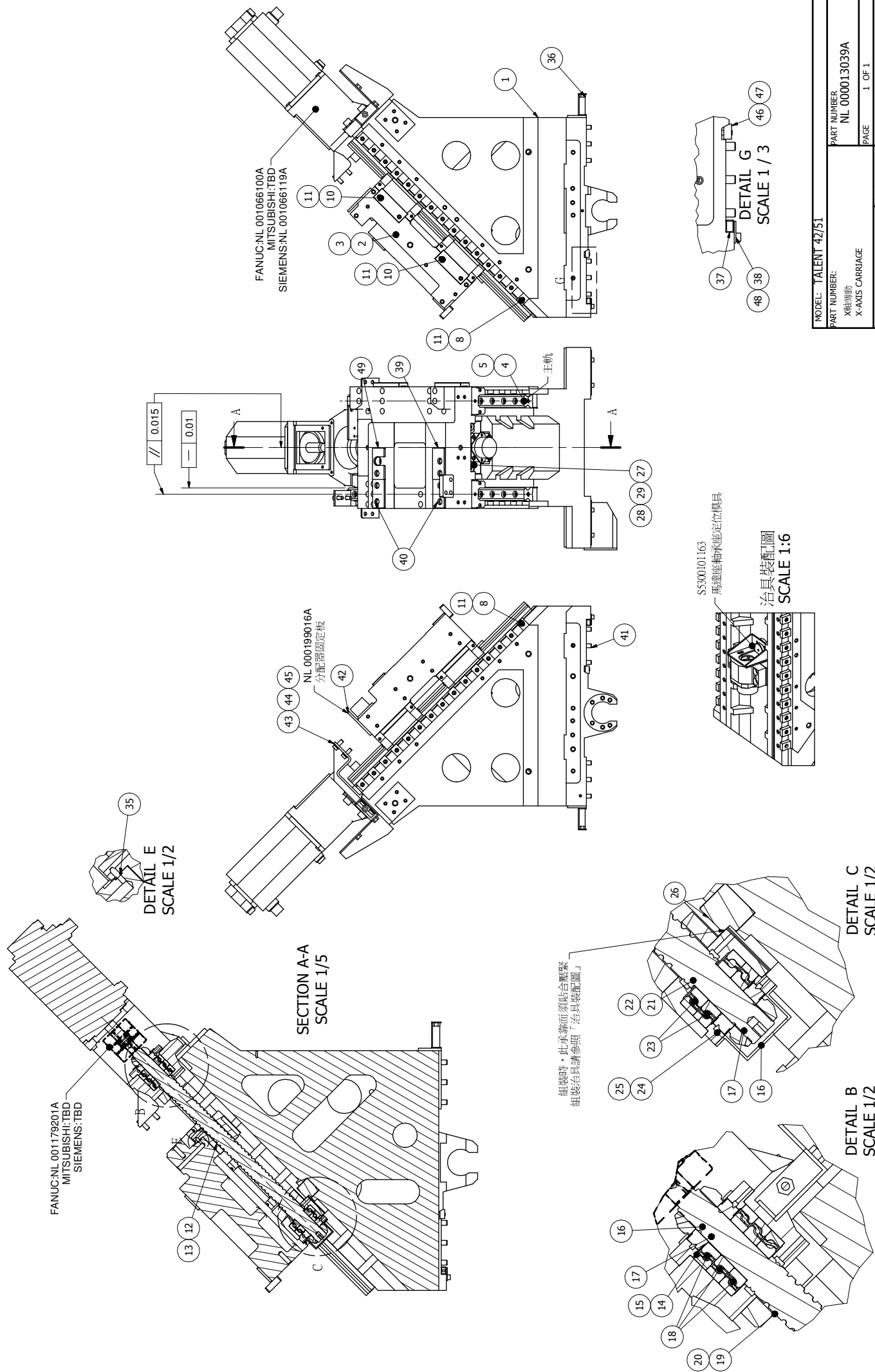
Chapter 5

軸向傳動系統

+ 內部防濺板金

TRANSMISSION

+ INTERNAL SHIELD



MODEL: TALENT 42/51	PART NUMBER: NL 000013039A
DATE: 2015/12	PAGE: 1 OF 1
SCALE: 1:9	REV: A

PRODUCT BOM MASTER AND SUB-ITEMS LIST

Master Item Part NO.: NL 000013028A

Description: X-AXIS CARRIAGE

X軸傳動

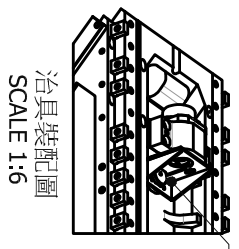
Item Part NO.	Description	中文名稱	Specification	Qty	Unit
1.01	NL 000195403A SADDLE, W/O Y-AXIS	無Y軸鞍座	L500XW498XH653	1.00	EA
2.06	NL 000720206A X-SLIDE	X軸滑板	L339XW300XH170.5	1.00	EA
3.00	MS 0103821 SOCKET HEAD CAP SCREW	六角六圓頭螺絲	M8XP1.25XL35	44.00	EA
4.01	NL 000831600A LINEAR GUIDE, X-AXIS	X軸線性滑軌	[INAJRUE35-E-H-W2-G2-V3/6/16	1.00	ST
5.00	MS 0103820 SOCKET HEAD CAP SCREW	六角六圓頭螺絲	M8XP1.25XL30	30.00	EA
8.00	BL 001059000A RETAINER, WEDGE	楔塊	L25XW20XH10	2.00	EA
10.01	NL 001059002A RETAINER, WEDGE	楔塊	L90XW31XH10	2.00	EA
11.00	MS 0103516 SOCKET HEAD CAP SCREW	六角六圓頭螺絲	M5XP0.8XL12	34.00	EA
12.01	NL 000190202A BALL SCREW, XY-AXIS	XY軸滾珠導螺桿	[PMIJR32-08T5-FSDC-347-574	1.00	ST
13.00	MS 0103519 SOCKET HEAD CAP SCREW	六角六圓頭螺絲	M5XP0.8XL25	6.00	EA
14.00	NV 001011542J COVER,BALLSCREW	軸蓋	D87XD47.4XW11	1.00	EA
15.00	MS 0103618 SOCKET HEAD CAP SCREW	六角六圓頭螺絲	M6XP1.0XL20	4.00	EA
16.00	NL 000049200A LOCKNUT	鎖緊螺帽	[HSIANG KAIJSFZ25X1.5P	2.00	EA
17.00	NV 000179920J SPACER, SUPPORT BRG	間隔圈	D47XD25XL11	2.00	EA
18.00	NV 00002660103 BEARING, BALL SCREW SUPPORT	滾珠導桿斜角滾珠軸承	NSK 25TAC62BSUC10PN7B (3/SET)	1.00	ST
19.01	NL 000691603A BUMPER	止動環	D70XD34XL20	1.00	EA
20.00	MS 0103615 SOCKET HEAD CAP SCREW	六角六圓頭螺絲	M6XP1.0XL10	2.00	EA
21.00	NVA000691601L BUMPER(#40, Z-AXIS)	止動環(#40, Z軸)	D70XD34XL30	1.00	EA
22.00	MS 0103616 SOCKET HEAD CAP SCREW	六角六圓頭螺絲	M6XP1.0XL12	2.00	EA

PRODUCT BOM MASTER AND SUB-ITEMS LIST

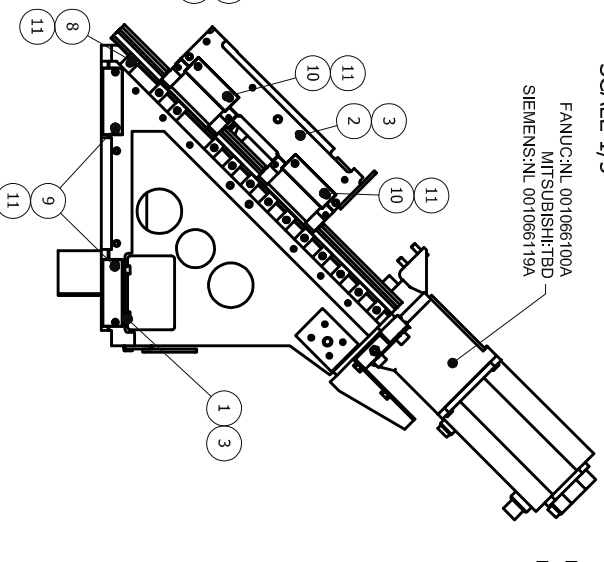
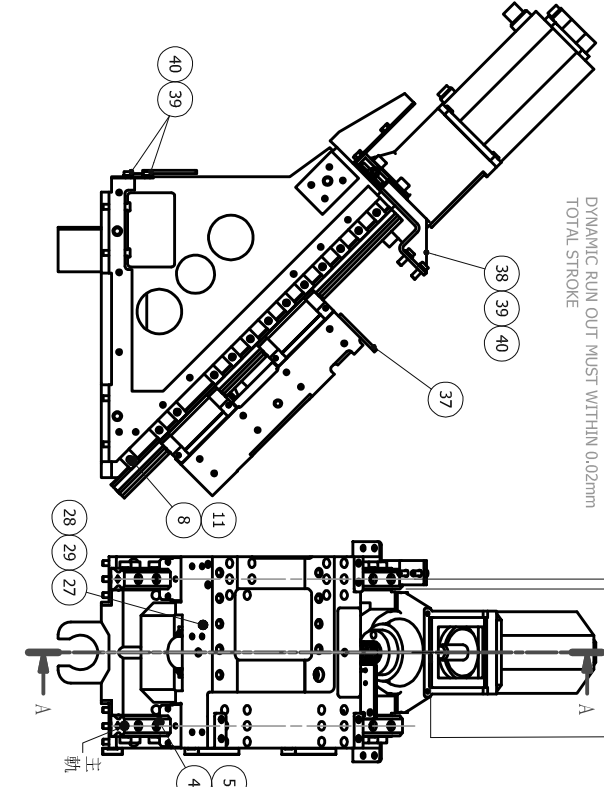
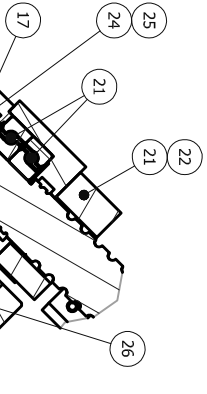
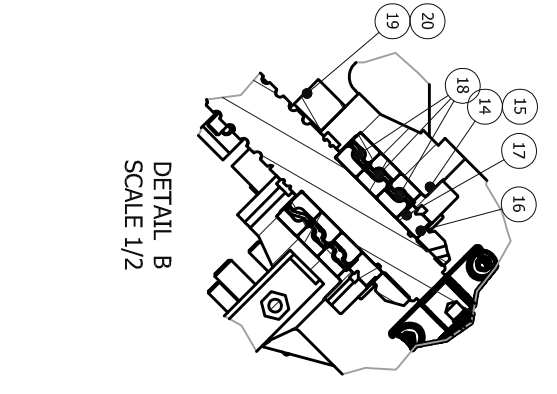
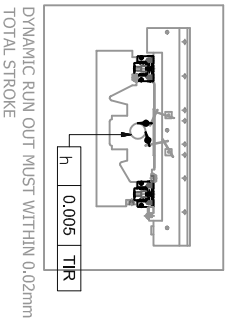
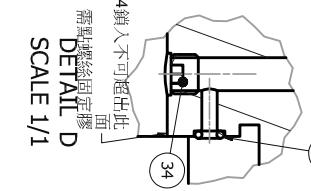
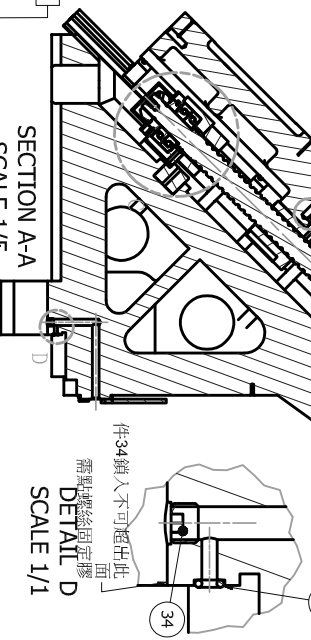
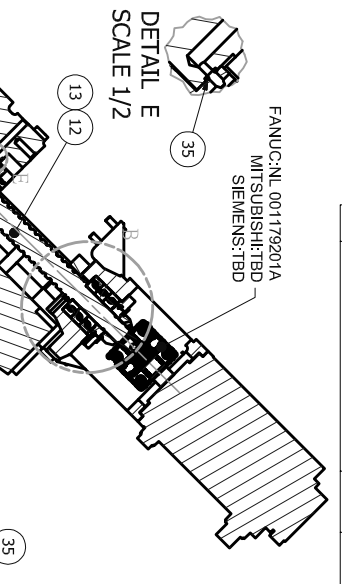
Item	Part NO.	Description	中文名稱	Specification	Qty	Unit
23.00	NV 00002660137	BEARING, BALL SCREW SUPPORT	滾珠導桿斜角滾珠軸承	NSK 25TAC62BDTC10PN7B (2/SET)	1.00	ST
24.00	NV 001011543J	COVER,BALLSCREW	軸承座蓋	D87XD47.4XW11	1.00	EA
25.00	MS 0103518	SOCKET HEAD CAP SCREW	六角六圓頭螺絲	M5XP0.8XL20	4.00	EA
26.02	NL 001023400A	SHAFT, POSITION	定位軸	L30XD35	1.00	EA
27.03	NL 001117600A	SEAT ,BEARING	軸承座	L128XW49XH78	1.00	EA
28.00	NV 00032530107	TAPER PIN	斜銷(內牙M5X0.8X16深)	D8X45L(M5X0.8XH16)	2.00	EA
29.00	MS 0104020	SOCKET HEAD CAP SCREW	六角六圓頭螺絲	M10XP1.5XL30	4.00	EA
35.00	NV 00094310108	O-RING	O型油環	[JIS] P5	2.00	EA
36.00	NL 000599074A	ADAPTER BRACKET	延伸架	TEMP	2.00	EA
37.00	NL 000648101A	GIB, GUIDE TRUCK	調整板	L110XW15XH10	2.00	EA
38.00	NL 000199038A	RETAINER, GIB SHIM	壓板	HT060D29	2.00	EA
39.00	BL 001108327C	SHIM, TURRET	刀塔用墊片	L77XW40XH4.3	1.00	EA
40.01	BL 001108325C	SHIM, TURRET	刀塔墊片	L70XW40XH4.3	2.00	EA
41.00	MS 0104023	SOCKET HEAD CAP SCREW	六角六圓頭螺絲	M10XP1.5XL45	24.00	EA
42.00	NL 000199016A	BRACKET	分油塊座	HT060D30	1.00	EA
43.00	NL 000199019A	XY AXIS SHIPPING,BRACKET	XY軸出貨固定架	HT060DD5	1.00	EA
44.00	MS 0103818	SOCKET HEAD CAP SCREW	六角六圓頭螺絲	M8XP1.25XL20	4.00	EA
45.00	MW 0183810NI	SPRING WASHER(NICKEL)	彈簧墊圈(鍍鎳)	M8(HEAT TREATMENT)	4.00	EA
46.00	NL 001059000A	RETAINER, WEDGE	楔塊	L110XW18.5XH9.5	2.00	EA
47.00	MS 0103620	SOCKET HEAD CAP SCREW	六角六圓頭螺絲	M6XP1.0XL30	4.00	EA
48.00	MS 0103617	SOCKET HEAD CAP SCREW	六角六圓頭螺絲	M6XP1.0XL16	4.00	EA
49.00	BL 001108328C	SHIM, TURRET	刀塔用墊片	L77XW40XH4.3	1.00	EA

PRODUCT BOM MASTER AND SUB-ITEMS LIST

Item	Part NO.	Description	中文名稱	Specification	Qty	Unit
50.00	NL 000720206A	X-SLIDE	X軸滑板	L339XW300XH170.5	1.00	EA



S5300101163
馬達座軸承座定位
具



組裝時，此承面須貼合壓緊
組裝台具請參照「治具裝配圖」

MODEL: TALENT 42/51	PART NUMBER: NL 000013002A
X軸機動	PAGE: 1 OF 1
X-AXIS CARRIAGE	REV: 5
DATE: 2015/12	SCALE: 1:1

PRODUCT BOM MASTER AND SUB-ITEMS LIST

Master Item Part NO.: NL 000013002A

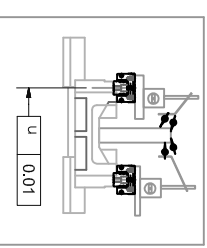
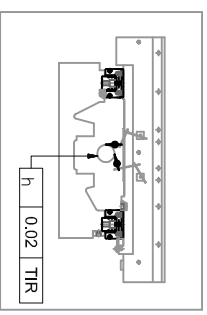
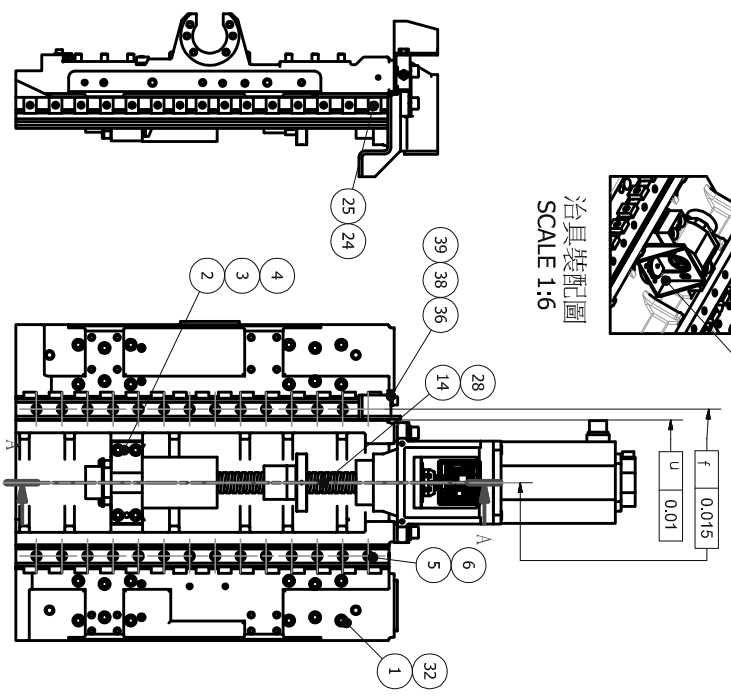
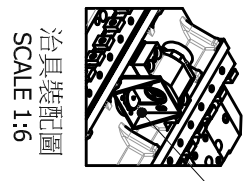
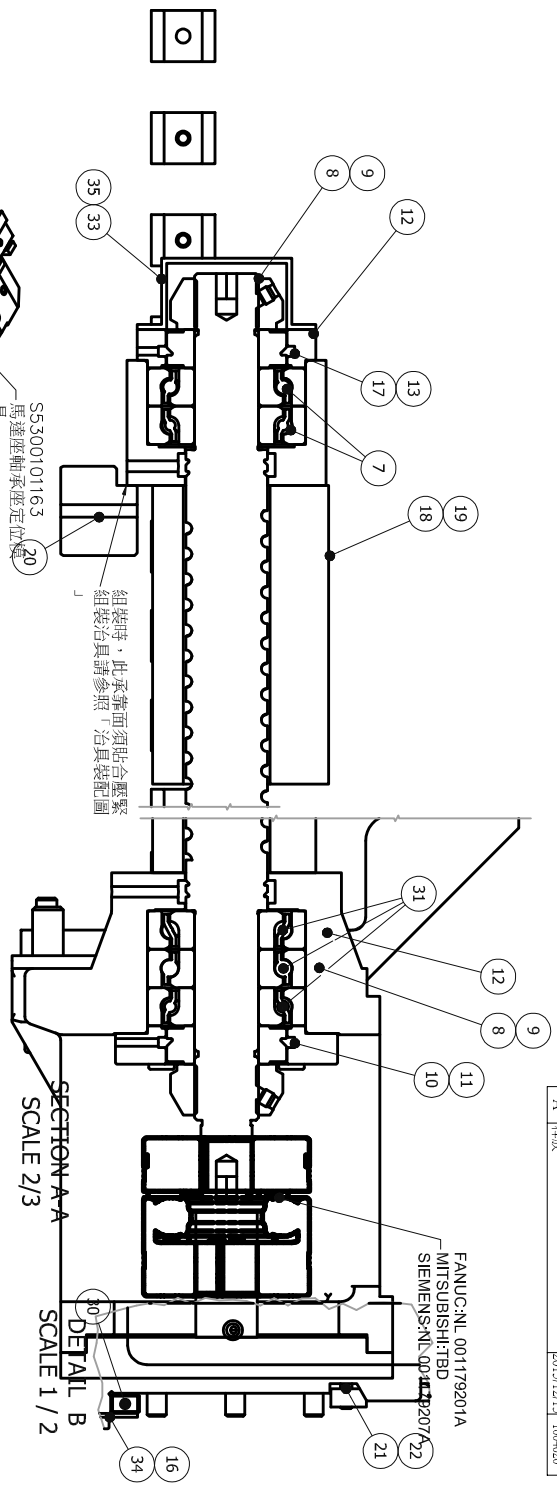
Description: X-AXIS CARRIAGE

X軸傳動

Item	Part NO.	Description	中文名稱	Specification	Qty	Unit
1.06	NL 000195401A	SADDLE, X-AXIS	X軸鞍座	L517XW302XH528	1.00	EA
2.05	NL 000720200A	X-SLIDE	X軸滑板	L339XW300XH149.5	1.00	EA
3.00	MS 0103821	SOCKET HEAD CAP SCREW	六角穴圓頭螺絲	M8XP1.25XL35	44.00	EA
4.01	NL 000831600A	LINEAR GUIDE, X-AXIS	X軸線性滑軌	[I]NAJRUE35-E-H-W2-G2-V3/6/16	1.00	ST
5.00	MS 0103820	SOCKET HEAD CAP SCREW	六角穴圓頭螺絲	M8XP1.25XL30	30.00	EA
6.01	NL 001059005A	RETAINER, WEDGE	楔塊	L400XW25XH10	2.00	EA
7.01	NL 001059003A	RETAINER, WEDGE	楔塊	L55XW25XH10	2.00	EA
8.00	BL 001059000A	RETAINER, WEDGE	楔塊	L25XW20XH10	2.00	EA
9.01	NL 001059001A	RETAINER, WEDGE	楔塊	L105XW31XH10	2.00	EA
10.01	NL 001059002A	RETAINER, WEDGE	楔塊	L90XW31XH10	2.00	EA
11.00	MS 0103516	SOCKET HEAD CAP SCREW	六角穴圓頭螺絲	M5XP0.8XL12	34.00	EA
12.01	NL 000190202A	BALL SCREW, XY-AXIS	XY軸滾珠導螺桿	[P]MIJR32-08T5-FSDC-347-574	1.00	ST
13.00	MS 0103519	SOCKET HEAD CAP SCREW	六角穴圓頭螺絲	M5XP0.8XL25	6.00	EA
14.00	NV 001011542J	COVER,BALLSCREW	軸蓋	D87XD47.4XW11	1.00	EA
15.00	MS 0103618	SOCKET HEAD CAP SCREW	六角穴圓頭螺絲	M6XP1.0XL20	4.00	EA
16.00	NL 000049200A	LOCKNUT	鎖緊螺帽	[H]SIANG KAIJSFZ25X1.5P	2.00	EA
17.00	NV 000179920J	SPACER, SUPPORT BRG	間隔圈	D47XD25XL11	2.00	EA
18.00	NV 00002660103	BEARING, BALL SCREW SUPPORT	滾珠導桿斜角滾珠軸承	NSK 25TAC62BSUC10PN7B (3/SET)	1.00	ST
19.01	NL 000691603A	BUMPER	止動環	D70XD34XL20	1.00	EA

PRODUCT BOM MASTER AND SUB-ITEMS LIST

Item	Part NO.	Description	中文名稱	Specification	Qty	Unit
20.00	MS 0103615	SOCKET HEAD CAP SCREW	六角圓頭螺絲	M6XP1.0XL10	2.00	EA
21.00	NVA000691601L	BUMPER(#40, Z-AXIS)	止動環(#40, Z軸)	D70XD34XL30	1.00	EA
22.00	MS 0103616	SOCKET HEAD CAP SCREW	六角圓頭螺絲	M6XP1.0XL12	2.00	EA
23.00	NV 00002660137	BEARING, BALL SCREW SUPPORT	滾珠導桿斜角滾珠軸承	NSK 25TAC62BDTC10PN7B (2/SET)	1.00	ST
24.00	NV 001011543J	COVER,BALLSCREW	軸承座蓋	D87XD47.4XW11	1.00	EA
25.00	MS 0103518	SOCKET HEAD CAP SCREW	六角圓頭螺絲	M5XP0.8XL20	4.00	EA
26.02	NL 001023400A	SHAFT, POSITION	定位軸	L30XD35	1.00	EA
27.02	NL 001117600A	SEAT ,BEARING	軸承座	L128XW49XH78	1.00	EA
28.00	NV 00032530107	TAPER PIN	斜銷(內牙M5X0.8X16深)	D8X45L(M5X0.8XH16)	2.00	EA
29.00	MS 0104020	SOCKET HEAD CAP SCREW	六角圓頭螺絲	M10XP1.5XL30	4.00	EA
34.00	NV 00077031701	PLUG, SOCKET HEX.	塞頭	PT1/8	1.00	EA
35.00	NV 00094310108	O-RING	O型油環	[JIS] P5	2.00	EA
36.00	NL 000199017A	COVER, BEARING HOUSING	護蓋	HT060D32	1.00	EA
37.00	NL 000199016A	BRACKET	分油塊座	HT060D30	2.00	EA
38.00	NL 000199019A	XY AXIS SHIPPING,BRACKET	XY軸出貨固定架	HT060DD5	1.00	EA
39.00	MS 0103818NI	SOCKET HEAD CAP SCREW(NICKEL)	六角圓頭螺絲(鍍鎳)	M8XP1.25XL20	6.00	EA
40.00	MW 0183810NI	SPRING WASHER(NICKEL)	彈簧墊圈(鍍鎳)	M8(HEAT TREATMENT)	6.00	EA



MODEL: TALENT 42/51		PART NUMBER: NL 000013003A	
PART NUMBER: Y-軸傳動		PART NUMBER: NL 000013003A	
Y-AXIS CARRIAGE		PAGE: 1 OF 1	
DATE: 2016/9/22	SCALE: 1:8	REV: A	

PRODUCT BOM MASTER AND SUB-ITEMS LIST

Master Item Part NO.: NLA000013303A

Description: HYDRAULIC HOSE&FITTING
油壓管路

Item	Part NO.	Description	中文名稱	Specification	Qty	Unit
1.00	NV 00069650194	HOSE, FLEXIBLE HYDRAULIC	耐油橡膠管2.1M	R1-Φ1/2"XW3/4"-16UNFX2.1M	1.00	EA
2.00	NV 00077031528	ELBOW, 90 DEG MALE	90度肘管接頭	PT1/2"(MALE)X3/4"-16UNF(MALE)	1.00	EA
3.00	NV 00077030232	NIPPLE, STRAIGHT	直接頭	PT1/2X3/4-16UNF	2.00	EA
4.00	NL 00069650108	HOSE, FLEXIBLE HYDRAULIC	耐油橡膠管	R1-Φ1/2"XW3/4"-16UNFX0.29M	1.00	EA
5.00	NV 00077030569	CONNECTOR	插心直接頭	PT1"XΦ1-1/4"	1.00	EA
6.00	NV 00069660302	CLAMP, HOSE	不銹鋼管夾	2"(32-50MM)	1.00	EA
7.01	NL 00069650121	HOSE WITH FIBER	明網管	HOSEΦ1-1/4"X2.2M	1.00	MT
10.00	BL 00069650226	HOSE, FLEXIBLE HYDRAULIC	耐油橡膠管(一直一90度)	R1-Φ3/8"XW9/16"-18UNFX0.35M	1.00	EA
11.00	BL 00069650227	HOSE, FLEXIBLE HYDRAULIC	耐油橡膠管(一直一90度)	R1-Φ3/8"XW9/16"-18UNFX0.38M	1.00	EA
12.00	NV 00069660302	CLAMP, HOSE	不銹鋼管夾	2"(32-50MM)	1.00	EA
13.00	NV 00077031508	ELBOW, 90 DEG MALE	90度肘管接頭	PT1/8"(MALE)XW7/16"-20UNF(MALE)	1.00	EA
14.00	NV 00069650325	HOSE, FLEXIBLE HYDRAULIC	耐油橡膠管	R1-Φ1/4"XW7/16"-20UNFX0.7M	1.00	EA
15.00	BL 00069650232	HOSE, FLEXIBLE HYDRAULIC	耐油橡膠管	R1-Φ3/8"XW9/16"-18UNFX0.35M	1.00	EA
20.01	FG 0007007HM05	NYLON TUBING, HIGH PRESSURE	超高壓尼龍油管	R200-02,M10XP1.0XL0.3MX2SIDE	1.00	EA
24.00	GH 00069650014	HOSE, FLEXIBLE HYDRAULIC	耐油橡膠管	R1-Φ3/8"XW9/16"-18UNFX7.6M	2.00	EA
25.00	BL 00069650176	HOSE, FLEXIBLE HYDRAULIC	耐油橡膠管	R1-Φ3/8"XW9/16"-18UNFX4.3M	2.00	EA
26.00	NV 00077030210	NIPPLE, STRAIGHT	直接頭	PT1/4"X9/16"-18UNF	2.00	EA
27.00	GH 00069650038	HOSE, FLEXIBLE HYDRAULIC	耐油橡膠管	R1-Φ3/8"XW9/16"-18UNFX1.4M	1.00	EA
29.00	BL 00069650221	HOSE, FLEXIBLE HYDRAULIC	耐油橡膠管(外覆鋼絲)	R1-Φ3/8"XW9/16"-18UNFX1.5M	2.00	EA

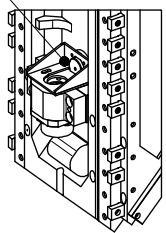
PRODUCT BOM MASTER AND SUB-ITEMS LIST

Item	Part NO.	Description	中文名稱	Specification	Qty	Unit
30.00	NL 00069650109	HOSE, FLEXIBLE HYDRAULIC	耐油橡膠管	R1-Φ3/8"XW9/16"-18UNFX2.23M	2.00	EA
31.00	BL 00069650222	HOSE, FLEXIBLE HYDRAULIC	耐油橡膠管	R1-Φ1/4"XW7/16"-20UNFX2.6M	1.00	EA
32.00	NV 00069650162	HOSE, FLEXIBLE HYDRAULIC	耐油橡膠管(一直-90度)	R1-Φ3/8"XW9/16"-18UNFX1.89M	1.00	EA
33.00	NL 00069650110	HOSE, FLEXIBLE HYDRAULIC	耐油橡膠管(雙90度接頭)(N字型)	R1-Φ3/8"XW9/16"-18UNFX1.9M	1.00	EA
41.00	BL 00069650165	HOSE, FLEXIBLE HYDRAULIC	耐油橡膠管(外覆鋼絲)	R1-Φ3/8"XW9/16"-18UNFX1.6M	2.00	EA
42.00	NV 00069650309	HOSE, FLEXIBLE HYDRAULIC	耐油橡膠管(外覆鋼絲)	R1-Φ1/4"XW7/16"-20UNFX1.6M	1.00	EA
47.00	NV 00077030225	NIPPLE, STRAIGHT	直接頭	PT1/2"X9/16"-18UNF	2.00	EA
49.00	NL 00069650120	HOSE, FLEXIBLE HYDRAULIC	耐油橡膠管	R1-Φ1/4"X7/16"-20UNFX0.35M	1.00	EA
50.00	NV 00077031508	ELBOW, 90 DEG MALE	90度肘管接頭	PT1/8"(MALE)XW7/16"-20UNF(MALE)	1.00	EA
51.01	NV 00077030502	CONNECTOR	插心直接頭	PT1"XΦ3/4"	1.00	EA
52.01	NL 00069650123	HOSE, FLEXIBLE HYDRAULIC	耐油橡膠管	SC KINGFLEX 3/4"*0.7M	1.00	EA
53.00	NV 00077030510	CONNECTOR, 90 DEGREE	90度插心接頭	PT1"XΦ3/4"	1.00	EA
54.01	NV 00077030510	CONNECTOR, 90 DEGREE	90度插心接頭	PT1"XΦ3/4"	1.00	EA
55.00	NL 00069650115	HOSE, FLEXIBLE HYDRAULIC	耐油橡膠管	SC KINGFLEX 3/4"*0.95M	1.00	EA
56.00	NV 00077030251	CONNECTOR	直接頭	PT3/4"X1 1/16-12UNF	1.00	EA
57.00	NV 00077030506	CONNECTOR, 90 DEGREE	90度插心接頭	PT3/4"XΦ3/4"	1.00	EA
58.00	NV 00077030251	CONNECTOR	直接頭	PT3/4"X1 1/16-12UNF	1.00	EA
59.00	NL 00069650113	HOSE, FLEXIBLE HYDRAULIC	耐油橡膠管(外覆鋼絲)	R1-Φ3/4"XW1-1/16"-12UNFX1.2M	1.00	EA
60.00	NV 00077030528	CONNECTOR	插心直接頭	PT3/4"XΦ1 1/4"	1.00	EA
61.00	NL 00069650119	HOSE WITH FIBER	明網管	HOSEΦ1-1/4"X1.2M	1.00	MT
62.00	NV 00077030569	CONNECTOR	插心直接頭	PT1"XΦ1-1/4"	1.00	EA
63.00	NV 00069660302	CLAMP, HOSE	不銹鋼管夾	2"(32-50MM)	4.00	EA

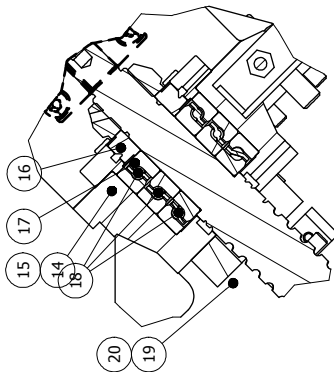
PRODUCT BOM MASTER AND SUB-ITEMS LIST

Item	Part NO.	Description	中文名稱	Specification	Qty	Unit
64.00	BL 00069650120	HOSE, FLEXIBLE HYDRAULIC	耐油橡膠管	R1-φ3/8"XW9/16"-18UNFX1.55M	1.00	EA
65.00	NV 00069650320	HOSE, FLEXIBLE HYDRAULIC	耐油橡膠管	R1-φ3/8"XW9/16"-18UNFX0.47M	1.00	EA
66.00	NV 00077031201	BUSHING, BRASS	卜申接頭(卜申+套管+套管帽)	PT1/8XMM10XP1	3.00	EA
67.00	BL 00077030601	UNION	直雙內牙接頭(中間接頭)	PT1/8XPT1/8	2.00	EA
68.00	NV 00077031701	PLUG, SOCKET HEX.	塞頭	PT1/8	2.00	EA
69.00	NV 00069660301	CLAMP, HOSE	不銹鋼管夾	1 1/4"(20-32MM)	4.00	EA

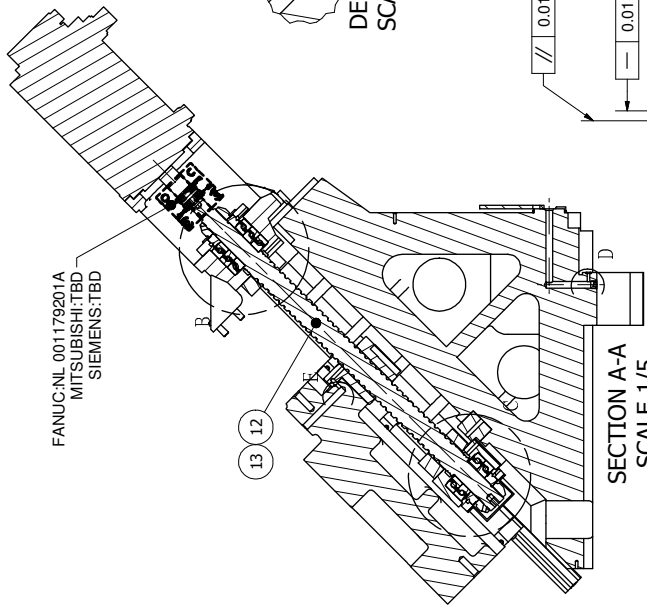
SS300101163
馬達座軸承定位模具



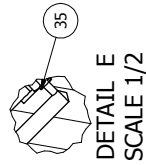
治具裝配圖
SCALE 1:6



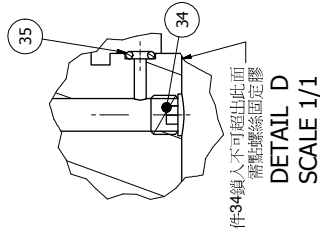
DETAIL B
SCALE 1/2



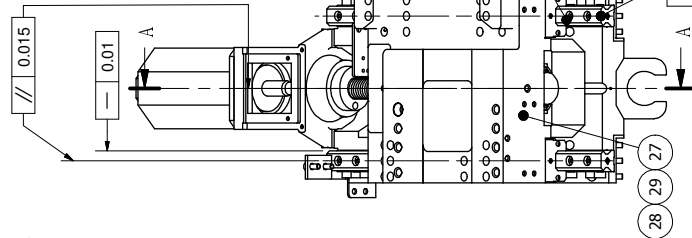
SECTION A-A
SCALE 1/5



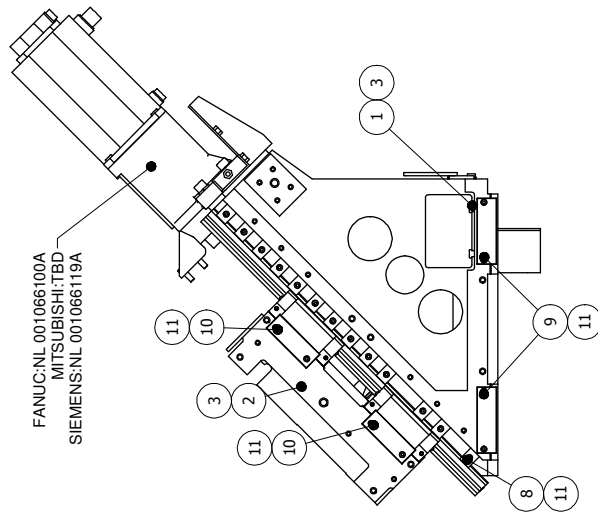
DETAIL E
SCALE 1/2



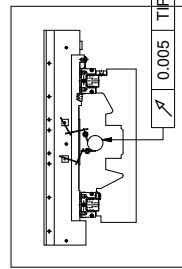
DETAIL D
SCALE 1/1
件34鎖入不可超過此面
精細螺絲固定膠



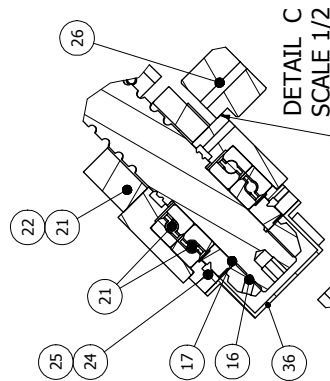
主軸



FANUC:NL 001066100A
MITSUBISHI:TBD
SIEMENS:NL 001066119A



DYNAMIC RUN OUT MUST WITHIN 0.02mm
TOTAL STROKE



DETAIL C
SCALE 1/2

組裝時，此承面須貼合緊
組裝治具請參照「治具裝配圖」

MODEL: TALENT 42/51

PART NUMBER:

X軸傳動
X-AXIS CARRIAGE

DATE 201512

SCALE 1:9

PAGE 1 OF 1

REV. 8

PART NUMBER
NL 000013044A

PAGE 1 OF 1

REV. 8

PRODUCT BOM MASTER AND SUB-ITEMS LIST

Master Item Part NO.: NL 000013044A

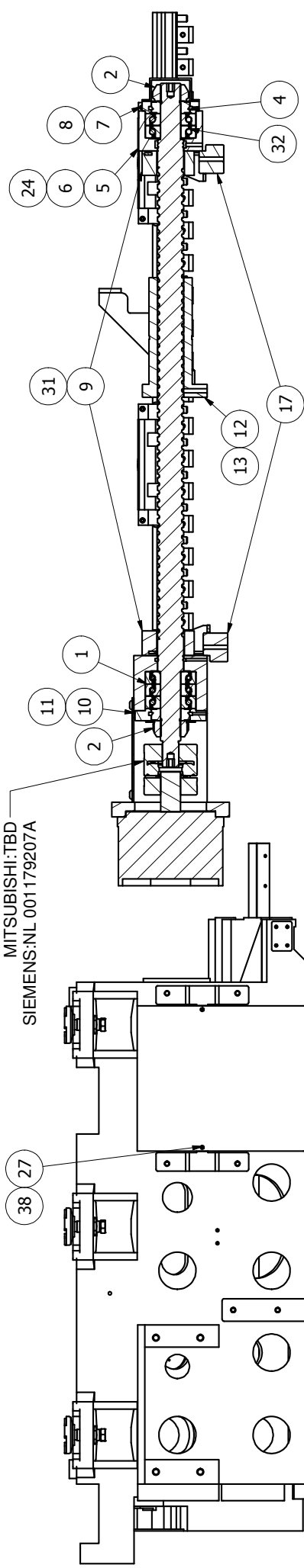
Description: X-AXIS CARRIAGE(LIOSHING)
X軸傳動(六鑫)

Item Part NO.	Description	中文名稱	Specification	Qty	Unit
1.06	NL 000195401A SADDLE, X-AXIS	X軸鞍座	L517XW302XH528	1.00	EA
2.05	NL 000720205A X-SLIDE	X軸滑板	L339XW300XH149.5	1.00	EA
3.00	MS 0103821 SOCKET HEAD CAP SCREW	六角六圓頭螺絲	M8XP1.25XL35	44.00	EA
4.01	NL 000831600A LINEAR GUIDE, X-AXIS	X軸線性滑軌	[INAJRUE35-E-H-W2-G2-V3/6/16	1.00	ST
5.00	MS 0103820 SOCKET HEAD CAP SCREW	六角六圓頭螺絲	M8XP1.25XL30	30.00	EA
8.00	BL 001059000A RETAINER, WEDGE	楔塊	L25XW20XH10	2.00	EA
9.01	NL 001059001A RETAINER, WEDGE	楔塊	L105XW31XH10	2.00	EA
10.01	NL 001059002A RETAINER, WEDGE	楔塊	L90XW31XH10	2.00	EA
11.00	MS 0103516 SOCKET HEAD CAP SCREW	六角六圓頭螺絲	M5XP0.8XL12	34.00	EA
12.01	NL 000190202A BALL SCREW, XY-AXIS	XY軸滾珠導螺桿	[PMIJR32-08T5-FSDC-347-574	1.00	ST
13.00	MS 0103519 SOCKET HEAD CAP SCREW	六角六圓頭螺絲	M5XP0.8XL25	6.00	EA
14.00	NV 001011542J COVER,BALLSCREW	軸蓋	D87XD47.4XW11	1.00	EA
15.00	MS 0103618 SOCKET HEAD CAP SCREW	六角六圓頭螺絲	M6XP1.0XL20	4.00	EA
16.00	NL 000049200A LOCKNUT	鎖緊螺帽	[HSIANG KAI]SFZ25X1.5P	2.00	EA
17.00	NV 000179920J SPACER, SUPPORT BRG	間隔圈	D47XD25XL11	2.00	EA
18.00	NV 00002660103 BEARING, BALL SCREW SUPPORT	滾珠導桿斜角滾珠軸承	NSK 25TAC62BSUC10PN7B (3/SET)	1.00	ST
19.01	NL 000691603A BUMPER	止動環	D70XD34XL20	1.00	EA
20.00	MS 0103615 SOCKET HEAD CAP SCREW	六角六圓頭螺絲	M6XP1.0XL10	2.00	EA
21.00	NVA000691601L BUMPER(#40, Z-AXIS)	止動環(#40, Z軸)	D70XD34XL30	1.00	EA

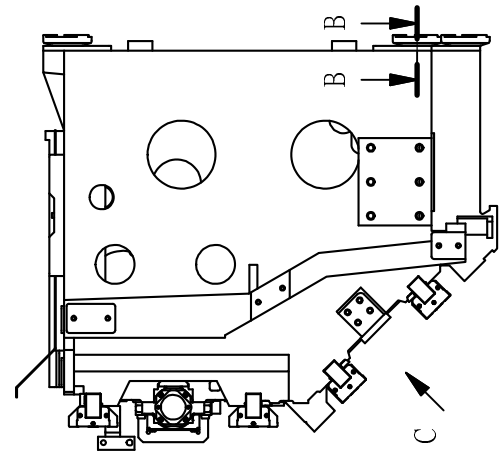
PRODUCT BOM MASTER AND SUB-ITEMS LIST

Item	Part NO.	Description	中文名稱	Specification	Qty	Unit
22.00	MS 0103616	SOCKET HEAD CAP SCREW	六角六圓頭螺絲	M6XP1.0XL12	2.00	EA
23.00	NV 00002660137	BEARING, BALL SCREW SUPPORT	滾珠導桿斜角滾珠軸承	NSK 25TAC62BDTC10PN7B (2/SET)	1.00	ST
24.00	NV 001011543J	COVER,BALLSCREW	軸承座蓋	D87XD47.4XW11	1.00	EA
25.00	MS 0103518	SOCKET HEAD CAP SCREW	六角六圓頭螺絲	M5XP0.8XL20	4.00	EA
26.02	NL 001023400A	SHAFT, POSITION	定位軸	L30XD35	1.00	EA
27.03	NL 001117600A	SEAT ,BEARING	軸承座	L128XW49XH78	1.00	EA
28.00	NV 00032530107	TAPER PIN	斜銷(內牙M5X0.8X16深)	D8X45L(M5X0.8XH16)	2.00	EA
29.00	MS 0104020	SOCKET HEAD CAP SCREW	六角六圓頭螺絲	M10XP1.5XL30	4.00	EA
34.00	NV 00077031701	PLUG, SOCKET HEX.	塞頭	PT1/8	1.00	EA
35.00	NV 00094310108	O-RING	O型油環	[JIS] P5	2.00	EA
36.00	NL 000199017A	COVER, BEARING HOUSING	護蓋	HT060D32	1.00	EA
37.00	NL 000199016A	BRACKET	分油塊座	HT060D30	2.00	EA
38.00	NL 000199019A	XY AXIS SHIPPING,BRACKET	XY軸出貨固定架	HT060DD5	1.00	EA
39.00	MS 0103818NI	SOCKET HEAD CAP SCREW(NICKEL)	六角六圓頭螺絲(鍍鎳)	M8XP1.25XL20	6.00	EA
40.00	MW 0183810NI	SPRING WASHER(NICKEL)	彈簧墊圈(鍍鎳)	M8(HEAT TREATMENT)	6.00	EA

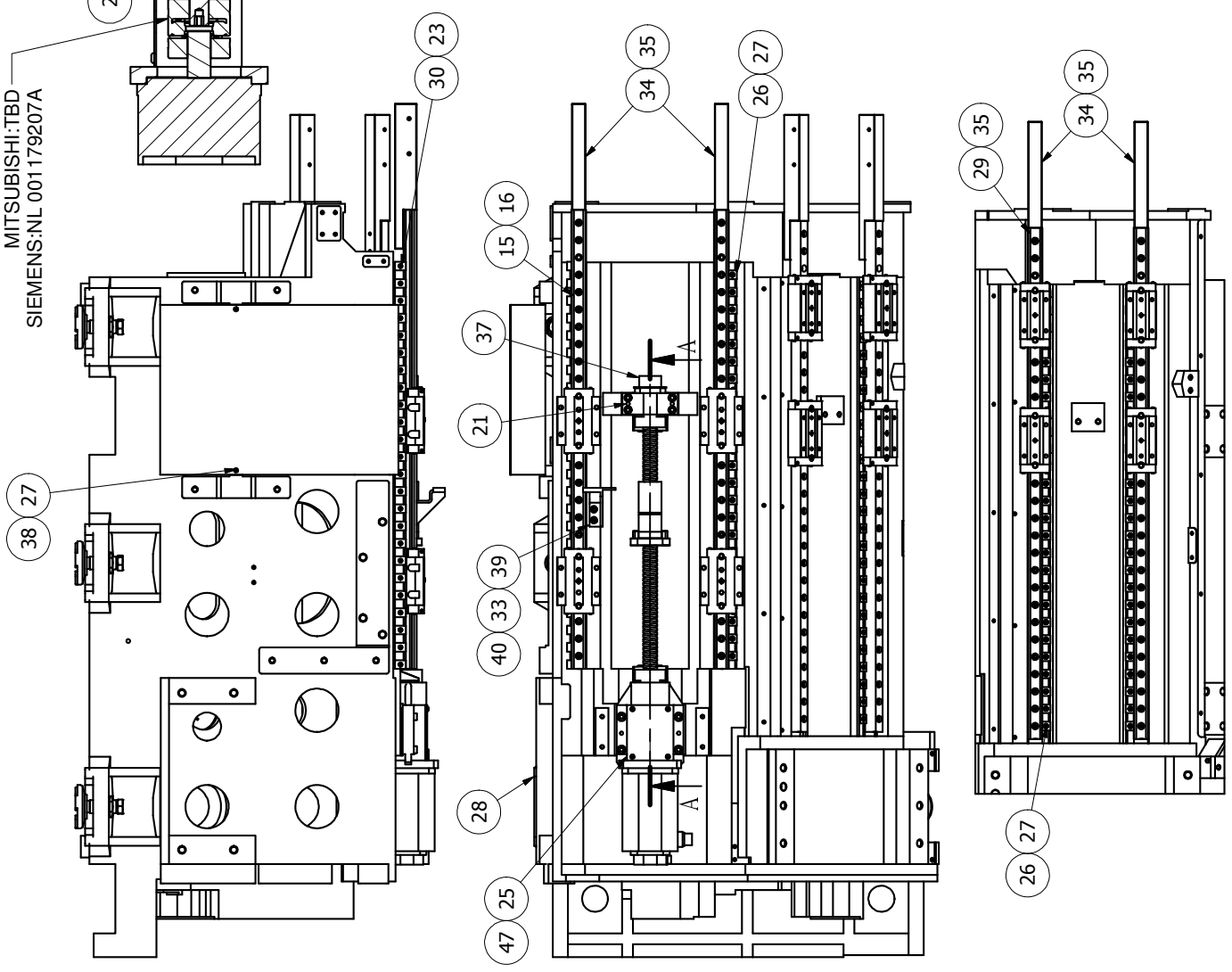
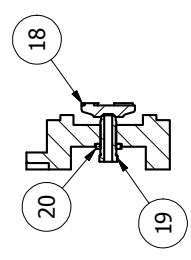
FANUC:NL 001179201A
 MITSUBISHI:TBD
 SIEMENS:NL 001179207A



A-A 剖面



B-B 剖面



MODEL: TALENT 42/51	PART NUMBER	SCALE	REV.
PART NAME	NL 000013058A	1 / 11	A
Z-AXIS CARRIAGE	PAGE	1 OF 1	
Z軸傳動	DATE	2017/7/31	

PRODUCT BOM MASTER AND SUB-ITEMS LIST

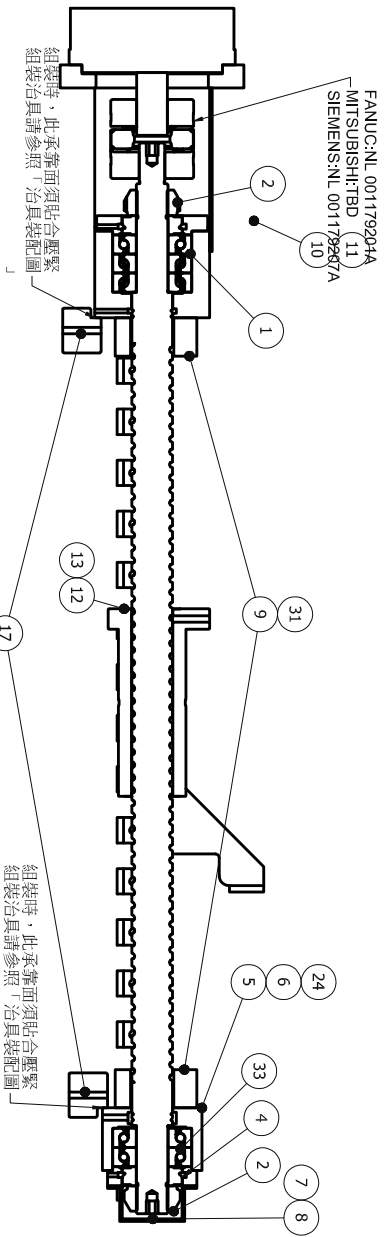
Master Item Part NO.: NL 000013058A

Description: Z-AXIS CARRIAGE
Z 軸傳動

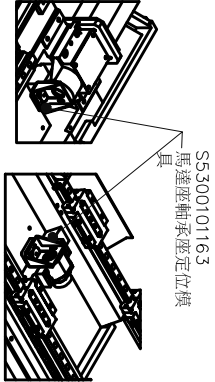
Item Part NO.	Description	中文名稱	Specification	Qty	Unit
1.00	NV 00002660103 BEARING, BALL SCREW SUPPORT	滾珠導桿斜角滾珠軸承	NSK 25TAC62BSUC10PN7B (3/SET)	1.00	ST
2.00	NL 000049200A LOCKNUT	鎖緊螺帽	[HSIANG KAI]SFZ25X1.5P	2.00	EA
4.00	NV 000179920J SPACER, SUPPORT BRG	間隔圈	D47XD25XL11	2.00	EA
5.01	NL 001117600A SEAT ,BEARING	軸承座	L 128XW49XH78	1.00	EA
6.00	MS 0104020 SOCKET HEAD CAP SCREW	六角六圓頭螺絲	M10XP1.5XL30	4.00	EA
7.00	NV 001011543J COVER,BALLSCREW	軸承座蓋	D87XD47.4XW11	1.00	EA
8.00	MS 0103518 SOCKET HEAD CAP SCREW	六角六圓頭螺絲	M5XP0.8XL20	4.00	EA
9.00	NVA000691601L BUMPER(#40, Z-AXIS)	止動環(#40, Z軸)	D70XD34XL30	2.00	EA
10.00	NV 001011542J COVER,BALLSCREW	軸蓋	D87XD47.4XW11	1.00	EA
11.00	MS 0103618 SOCKET HEAD CAP SCREW	六角六圓頭螺絲	M6XP1.0XL20	4.00	EA
12.00	NL 000190203A BALL SCREW, Z-AXIS	Z軸滾珠導螺桿, 短型底座用	[PMIJR32-10T5-FDDC-579-839	1.00	ST
13.00	MS 0103819 SOCKET HEAD CAP SCREW	六角六圓頭螺絲	M8XP1.25XL25	6.00	EA
15.01	NL 000831604A LINEAR GUIDE, Z-AXIS	Z軸線性滑軌, 短型底座用	[INA]RUE35-E-L-W2-G2-V3/1060	1.00	ST
16.00	MS 0103820 SOCKET HEAD CAP SCREW	六角六圓頭螺絲	M8XP1.25XL30	98.00	EA
17.00	NL 001023400A SHAFT, POSITION	定位軸	L30XD35	2.00	EA
18.00	NV 300199020A PAD	墊塊	D100XL30	6.00	EA
19.00	NV 000668409A SCREW, LEVELING	水平調整螺絲	W32XL87*P2	6.00	EA
20.00	NV 000049212A NUT	螺帽	W41XL10	6.00	EA
21.00	NV 00032530107 TAPER PIN	斜銷(內牙M5X0.8X16深)	D8X45L(M5X0.8XH16)	2.00	EA

PRODUCT BOM MASTER AND SUB-ITEMS LIST

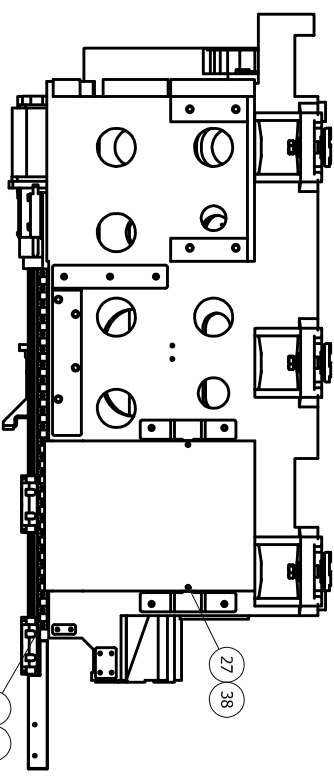
Item	Part NO.	Description	中文名稱	Specification	Qty	Unit
23.00	BL 001059000A	RETAINER, WEDGE	楔塊	L25XW20XH10	24.00	EA
24.00	MS 0104022	SOCKET HEAD CAP SCREW	六角穴圓頭螺絲	M10XP1.5XL40	4.00	EA
25.00	NL 000399050A	PLATE	馬達座蓋板	HT060D31	1.00	EA
26.00	NV 001059000D	RETAINER, WEDGE	楔塊	L20XW18.5XH9.5	75.00	EA
27.00	MS 0103617	SOCKET HEAD CAP SCREW	六角穴圓頭螺絲	M6XP1.0XL16	77.00	EA
28.01	NLA000026201A	SHORT BASE	底座(短型)	L1744XW935XH794	1.00	EA
29.00	NL 000831607A	LINEAR GUIDE, E-AXIS	E軸線性滑軌, 短型底座用	[INA]RUE35-E-L-W2-G2-V3/1180	1.00	ST
30.00	MS 0103516	SOCKET HEAD CAP SCREW	六角穴圓頭螺絲	M5XP0.8XL12	24.00	EA
31.00	MS 0103616	SOCKET HEAD CAP SCREW	六角穴圓頭螺絲	M6XP1.0XL12	4.00	EA
32.00	NV 00002660137	BEARING, BALL SCREW SUPPORT	滾珠導桿斜角滾珠軸承	NSK 25TAC62BDTC10PN7B (2/SET)	1.00	ST
33.00	MW 0183810NI	SPRING WASHER(NICKEL)	彈簧墊圈(鍍鎳)	M8(HEAT TREATMENT)	2.00	EA
34.00	NL 000831606A	BLOCK RAIL, Z-AXIS	Z軸假軌, 短型底座用	L335*W50*H34	4.00	EA
35.00	MS 0103821	SOCKET HEAD CAP SCREW	六角穴圓頭螺絲	M8XP1.25XL35	8.00	EA
37.00	NL 000199017A	COVER, BEARING HOUSING	護蓋	HT060D32	1.00	EA
38.00	NL 000199040A	PLATE,OIL TANK	油壓箱擋板	HT060D33	1.00	EA
39.00	NL 000399072A	Z AXIS SHIPPING,BRACKET	Z軸出機固定架	TEMP	1.00	EA
40.00	MS 0103818NI	SOCKET HEAD CAP SCREW(NICKEL)	六角穴圓頭螺絲(鍍鎳)	M8XP1.25XL20	2.00	EA
47.00	MS 0303615	BUTTON HD. SOCKET	六角穴半圓頭螺絲	M6XP1.0XL10	4.00	EA



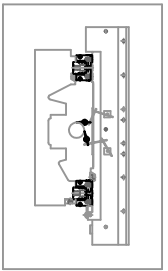
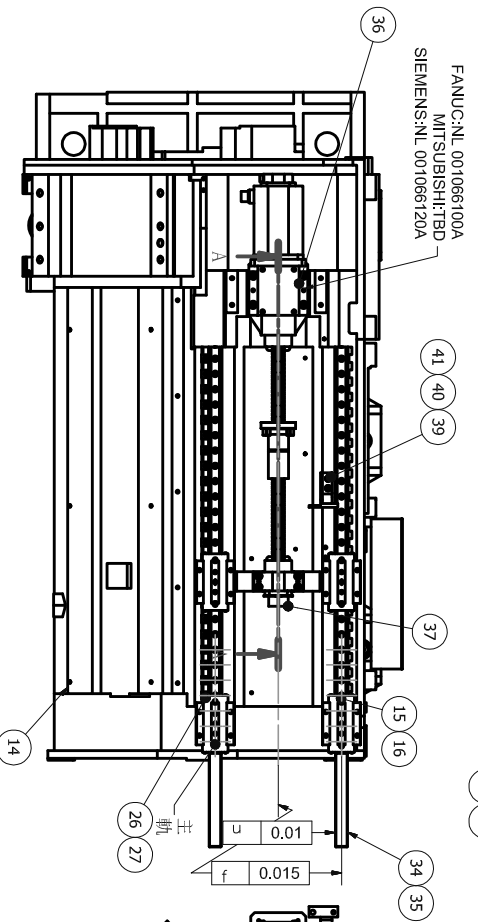
SECTION A-A
SCALE 1:3



治具裝配圖
SCALE 1:10



SECTION B-B
SCALE 1:10



DYNAMIC RUN OUT MUST WITHIN 0.01mm TOTAL STROKE

MODEL: TALENT 42/51	PART NUMBER: NL 000013008A
PART NUMBER: Z軸傳動	PAGE: 1 OF 1
Z-AXIS CARRIAGE	REV: 5
DATE: 2016/7/19	SCALE: 1:10

PRODUCT BOM MASTER AND SUB-ITEMS LIST

Master Item Part NO.: NL 000013008A

Description: Z-AXIS CARRIAGE

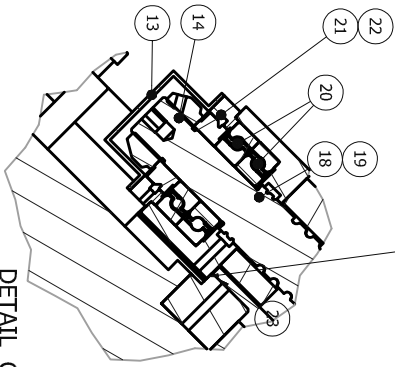
Z 軸傳動

Item	Part NO.	Description	中文名稱	Specification	Qty	Unit
1.00	NV 00002660103	BEARING, BALL SCREW SUPPORT	滾珠導桿斜角滾珠軸承	NSK 25TAC62BSUC10PN7B (3/SET)	1.00	ST
2.00	NL 000049200A	LOCKNUT	鎖緊螺帽	[HSIANG KAI]SFZ25X1.5P	2.00	EA
4.00	NV 000179920J	SPACER, SUPPORT BRG	間隔圈	D47XD25XL11	2.00	EA
5.02	NL 001117600A	SEAT ,BEARING	軸承座	L128XW49XH78	1.00	ST
6.00	MS 0104020	SOCKET HEAD CAP SCREW	六角穴圓頭螺絲	M10XP1.5XL30	4.00	EA
7.00	NV 001011543J	COVER,BALLSCREW	軸承座蓋	D87XD47.4XW11	1.00	EA
8.00	MS 0103518	SOCKET HEAD CAP SCREW	六角穴圓頭螺絲	M5XP0.8XL20	4.00	EA
9.00	NVA000691601L	BUMPER(#40, Z-AXIS)	止動環(#40, Z軸)	D70XD34XL30	2.00	EA
10.00	NV 001011542J	COVER,BALLSCREW	軸蓋	D87XD47.4XW11	1.00	EA
11.00	MS 0103618	SOCKET HEAD CAP SCREW	六角穴圓頭螺絲	M6XP1.0XL20	4.00	EA
12.01	NL 000190203A	BALL SCREW, Z-AXIS	Z軸滾珠導螺桿, 短型底座用	[PMI]R32-10T5-FDDC-579-839	1.00	ST
13.00	MS 0103819	SOCKET HEAD CAP SCREW	六角穴圓頭螺絲	M8XP1.25XL25	6.00	ST
14.05	NL 000026202A	SHORT BASE	底座(短型, 無尾座)	L1744XW935XH794	1.00	EA
15.01	NL 000831604A	LINEAR GUIDE, Z-AXIS	Z軸線性滑軌, 短型底座用	[INA]RUE35-E-L-W2-G2-V3/1060	1.00	ST
16.00	MS 0103820	SOCKET HEAD CAP SCREW	六角穴圓頭螺絲	M8XP1.25XL30	46.00	ST
17.02	NL 001023400A	SHAFT, POSITION	定位軸	L30XD35	2.00	EA
18.00	NV 300199020A	PAD	墊塊	D100XL30	6.00	EA
19.00	NV 000668409A	SCREW, LEVELING	水平調整螺絲	W32XL87*P2	6.00	EA
20.00	NV 000049212A	NUT	螺帽	W41XL10	6.00	EA

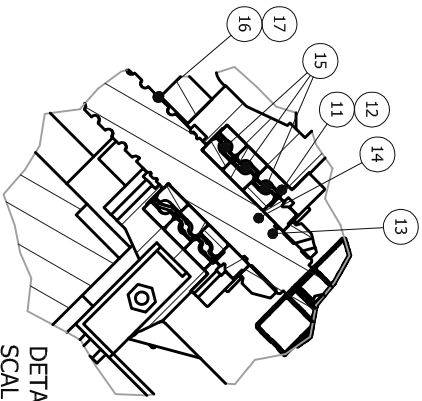
PRODUCT BOM MASTER AND SUB-ITEMS LIST

Item	Part NO.	Description	中文名稱	Specification	Qty	Unit
24.00	NV 00032530107	TAPER PIN	斜銷(內牙M5X0.8X16深)	D8X45L(M5X0.8XH16)	2.00	EA
27.00	MS 0103617	SOCKET HEAD CAP SCREW	六角穴圓頭螺絲	M6XP1.0XL16	25.00	EA
28.02	BL 001059000A	RETAINER, WEDGE	楔塊	L25XW20XH10	24.00	EA
30.00	MS 0103516	SOCKET HEAD CAP SCREW	六角穴圓頭螺絲	M5XP0.8XL12	24.00	EA
31.00	MS 0103616	SOCKET HEAD CAP SCREW	六角穴圓頭螺絲	M6XP1.0XL12	4.00	EA
33.00	NV 00002660137	BEARING, BALL SCREW SUPPORT	滾珠導桿斜角滾珠軸承	NSK 25TAC62BDTC10PN7B (2/SET)	1.00	EA
34.01	NL 000831606A	BLOCK RAIL, Z-AXIS	Z軸假軌, 短型底座用	L335*W50*H34	2.00	EA
35.00	MS 0103821	SOCKET HEAD CAP SCREW	六角穴圓頭螺絲	M8XP1.25XL35	4.00	EA
36.00	NL 000399050A	PLATE	馬達座蓋板	HT060D31	1.00	EA
37.00	NL 000199017A	COVER, BEARING HOUSING	護蓋	HT060D32	1.00	EA
38.00	NL 000199040A	PLATE,OIL TANK	油壓箱擋板	HT060D33	1.00	EA
39.00	NL 000399072A	Z AXIS SHIPPING,BRACKET	Z軸出機固定架	TEMP	1.00	EA
40.00	MS 0103818NI	SOCKET HEAD CAP SCREW(NICKEL)	六角穴圓頭螺絲(鍍鎳)	M8XP1.25XL20	2.00	EA
41.00	MW 0183810NI	SPRING WASHER(NICKEL)	彈簧墊圈(鍍鎳)	M8(HEAT TREATMENT)	2.00	EA
42.00	MW 0183610NI	SPRING WASHER (NICKEL)	彈簧墊圈(鍍鎳)	M6(HEAT TREATMENT)	2.00	EA

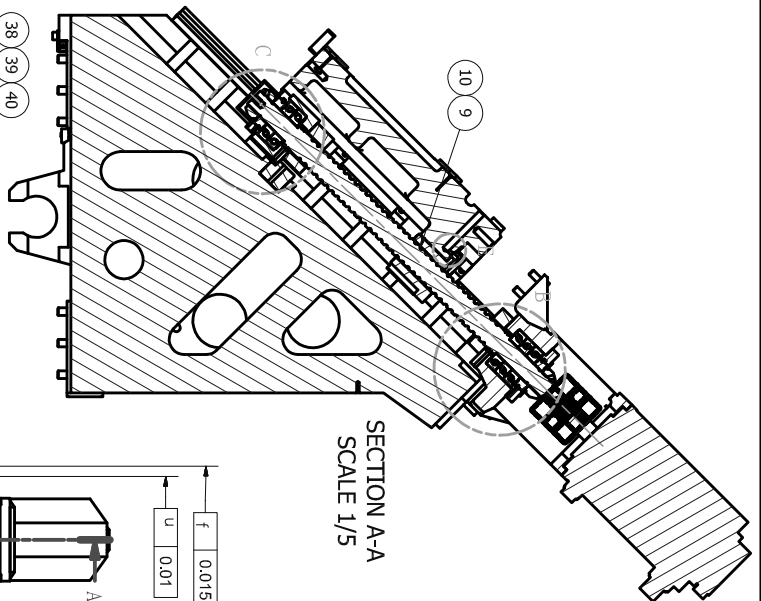
組裝時，此承靠面須黏合緊繫
組裝治具請參照「治具裝配圖」



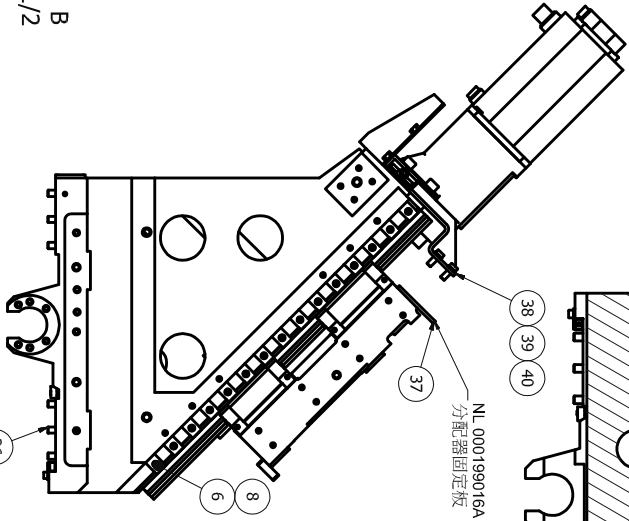
DETAIL C
SCALE 1/2



DETAIL B
SCALE 1/2

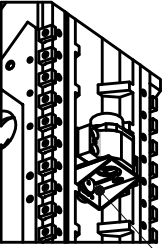


SECTION A-A
SCALE 1/5

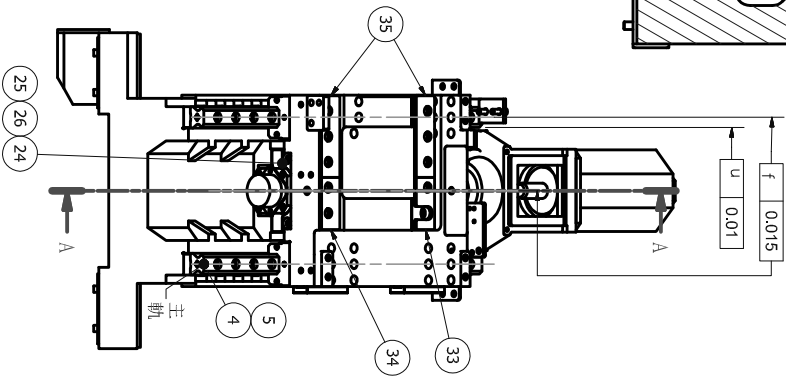


NL 000199016A
分配器固定板

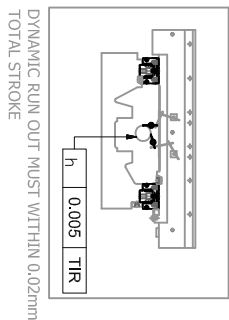
SS300101163
馬達座軸承固定板
治具



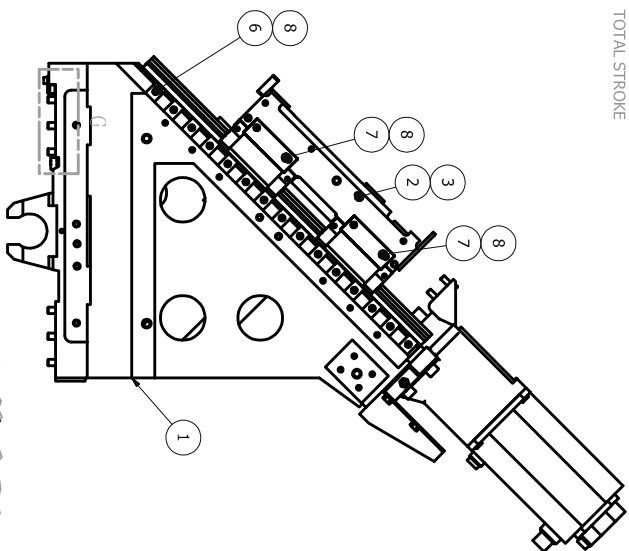
治具裝配圖
SCALE 1:6



DETAIL E
SCALE 1/2



DYNAMIC RUN OUT MUST WITHIN 0.02mm
TOTAL STROKE



DETAIL G
SCALE 1 / 3



MODEL: TALENT 42/51	PART NUMBER: NL 000013065A
PART NUMBER: X軸傳動	PART NUMBER: X-AXIS CARRIAGE
DATE: 2015012	REV: A
SCALE: 1:9	PAGE: 1 OF 1

PRODUCT BOM MASTER AND SUB-ITEMS LIST

Master Item Part NO.: NL 000013065A

Description: X-AXIS CARRIAGE(W/O Y AXIS)

X軸傳動(無Y軸)

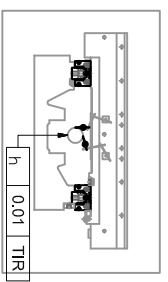
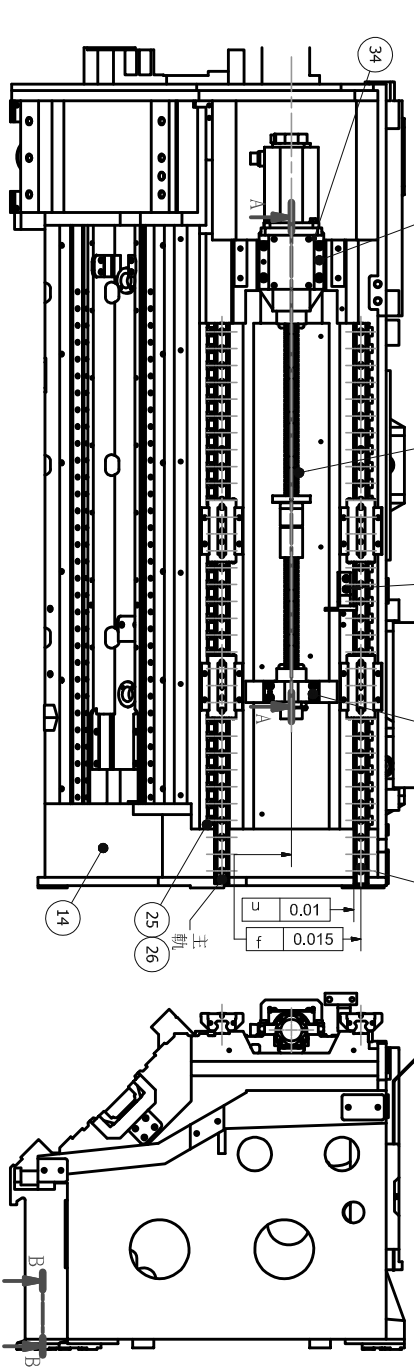
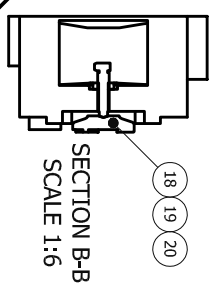
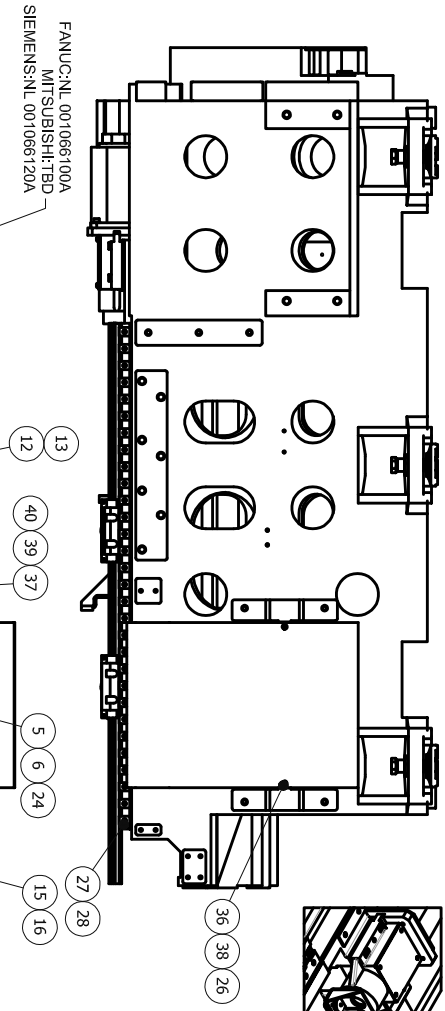
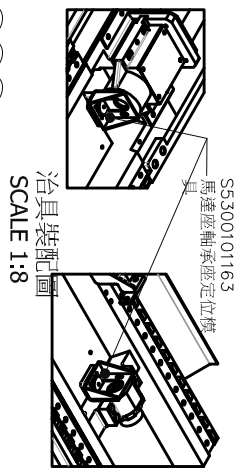
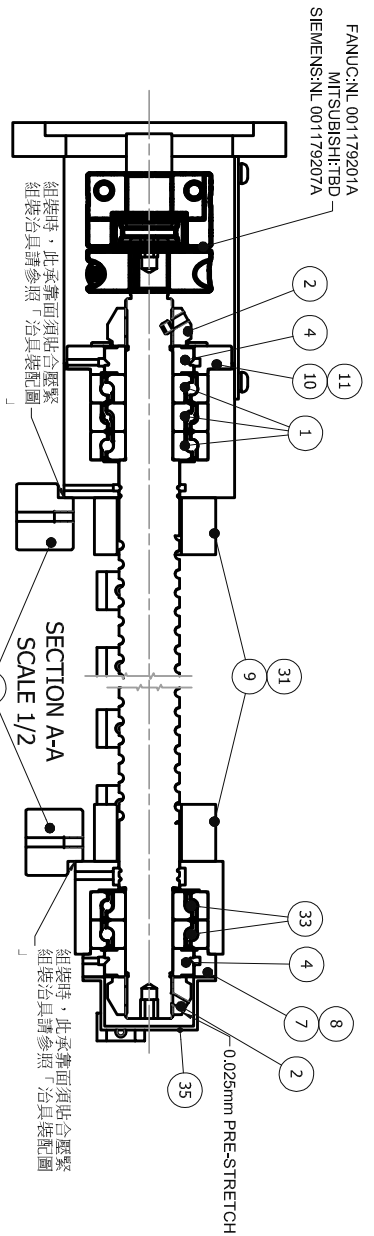
Item	Part NO.	Description	中文名稱	Specification	Qty	Unit
1.02	NL 000195403A	SADDLE, W/O Y-AXIS	無Y軸鞍座	L500XW498XH653	1.00	EA
2.01	NLA000720207A	X-SLIDE	X軸滑板	L339XW300XH149.5	1.00	EA
3.00	MS 0103821	SOCKET HEAD CAP SCREW	六角穴圓頭螺絲	M8XP1.25XL35	24.00	EA
4.00	NL 000831600A	LINEAR GUIDE, X-AXIS	X軸線性滑軌	[INA]RUE35-E-H-W2-G2-V3/6/16	1.00	ST
5.00	MS 0103820	SOCKET HEAD CAP SCREW	六角穴圓頭螺絲	M8XP1.25XL30	30.00	EA
6.00	BL 001059000A	RETAINER, WEDGE	楔塊	L25XW20XH10	30.00	EA
7.00	NL 001059002A	RETAINER, WEDGE	楔塊	L90XW31XH10	2.00	EA
8.00	MS 0103516	SOCKET HEAD CAP SCREW	六角穴圓頭螺絲	M5XP0.8XL12	34.00	EA
9.00	NL 000190202A	BALL SCREW, XY-AXIS	XY軸滾珠導螺桿	[PMI]R32-08T5-FSDC-347-574	1.00	ST
10.00	MS 0103819	SOCKET HEAD CAP SCREW	六角穴圓頭螺絲	M8XP1.25XL25	10.00	EA
11.00	NV 001011542J	COVER,BALLSCREW	軸蓋	D87XD47.4XW11	1.00	EA
12.00	MS 0103618	SOCKET HEAD CAP SCREW	六角穴圓頭螺絲	M6XP1.0XL20	4.00	EA
13.00	NL 000049200A	LOCKNUT	鎖緊螺帽	[HSIANG KAI]SFZ25X1.5P	2.00	EA
14.00	NV 000179920J	SPACER, SUPPORT BRG	間隔圈	D47XD25XL11	2.00	EA
15.00	NV 00002660103	BEARING, BALL SCREW SUPPORT	滾珠導桿斜角滾珠軸承	NSK 25TAC62BSUC10PN7B (3/SET)	1.00	ST
16.00	NL 000691603A	BUMPER	止動環	D70XD34XL20	1.00	EA
17.00	MS 0103615	SOCKET HEAD CAP SCREW	六角穴圓頭螺絲	M6XP1.0XL10	2.00	EA
18.00	NVA000691601L	BUMPER(#40, Z-AXIS)	止動環(#40, Z軸)	D70XD34XL30	1.00	EA
19.00	MS 0103616	SOCKET HEAD CAP SCREW	六角穴圓頭螺絲	M6XP1.0XL12	2.00	EA

PRODUCT BOM MASTER AND SUB-ITEMS LIST

Item	Part NO.	Description	中文名稱	Specification	Qty	Unit
20.00	NV 00002660137	BEARING, BALL SCREW SUPPORT	滾珠導桿斜角滾珠軸承	NSK 25TAC62BDTC10PN7B (2/SET)	1.00	ST
21.00	NV 001011543J	COVER,BALLSCREW	軸承座蓋	D87XD47.4XW11	1.00	EA
22.00	MS 0103518	SOCKET HEAD CAP SCREW	六角六圓頭螺絲	M5XP0.8XL20	4.00	EA
23.00	NL 001023400A	SHAFT, POSITION	定位軸	L30XD35	1.00	EA
24.01	NL 001117600A	SEAT ,BEARING	軸承座	L128XW49XH78	1.00	EA
25.00	NV 00032530107	TAPER PIN	斜銷(內牙M5X0.8X16深)	D8X45L(M5X0.8XH16)	2.00	EA
26.00	MS 0104020	SOCKET HEAD CAP SCREW	六角六圓頭螺絲	M10XP1.5XL30	4.00	EA
27.00	NV 00094310108	O-RING	O型油環	[JIS] P5	1.00	EA
28.00	NL 000648101A	GIB, GUIDE TRUCK	調整板	L110XW15XH10	2.00	EA
29.00	NL 000199038A	RETAINER, GIB SHIM	壓板	HT060D29	2.00	EA
30.00	NL 001059000A	RETAINER, WEDGE	楔塊	L110XW18.5XH9.5	2.00	EA
31.00	MS 0103620	SOCKET HEAD CAP SCREW	六角六圓頭螺絲	M6XP1.0XL30	4.00	EA
32.00	MS 0103617	SOCKET HEAD CAP SCREW	六角六圓頭螺絲	M6XP1.0XL16	4.00	EA
33.00	NL 001108305A	SHIM, TURRET	刀塔用墊片	L82XW40XH4.3	1.00	EA
34.00	NL 001108304A	SHIM, TURRET	刀塔用墊片	L82XW40XH4.3	1.00	EA
35.00	NL 001108303A	SHIM, TURRET	刀塔用墊片	L128XW40XH4.3	2.00	EA
36.00	MS 0104023	SOCKET HEAD CAP SCREW	六角六圓頭螺絲	M10XP1.5XL45	24.00	EA
37.00	NL 000199016A	BRACKET	分油塊座	HT060D30	2.00	EA
38.00	NL 000199019A	XY AXIS SHIPPING,BRACKET	XY軸出貨固定架	HT060DD5	1.00	EA
39.00	MS 0103818	SOCKET HEAD CAP SCREW	六角六圓頭螺絲	M8XP1.25XL20	4.00	EA
40.00	MW 0183810NI	SPRING WASHER(NICKEL)	彈簧墊圈(鍍鎳)	M8(HEAT TREATMENT)	4.00	EA
41.00	NL 000599074A	ADAPTER BRACKET	延伸架	TEMP	2.00	EA

PRODUCT BOM MASTER AND SUB-ITEMS LIST

Item	Part NO.	Description	中文名稱	Specification	Qty	Unit
42.00	NL 000199017A	COVER, BEARING HOUSING	護蓋	HT060D32	1.00	EA



DYNAMIC RUN OUT MUST WITHIN 0.01mm TOTAL STROKE

MODEL: TALENT 42/51 B	PART NUMBER: NL 000013001A
PART NUMBER: Z-軸(車動)	PAGE: 1 OF 1
PART NUMBER: Z-AXIS CARRIAGE	REV: 3
DATE: 2016/09/22	SCALE: 1:8

PRODUCT BOM MASTER AND SUB-ITEMS LIST

Master Item Part NO.: NL 000013001A

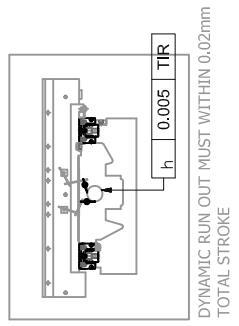
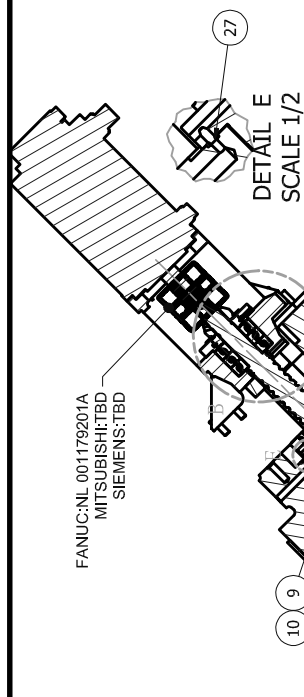
Description: Z-AXIS CARRIAGE

Z 軸傳動

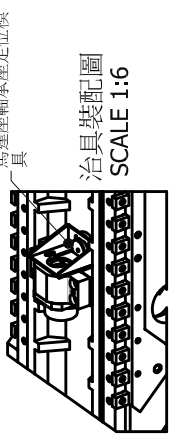
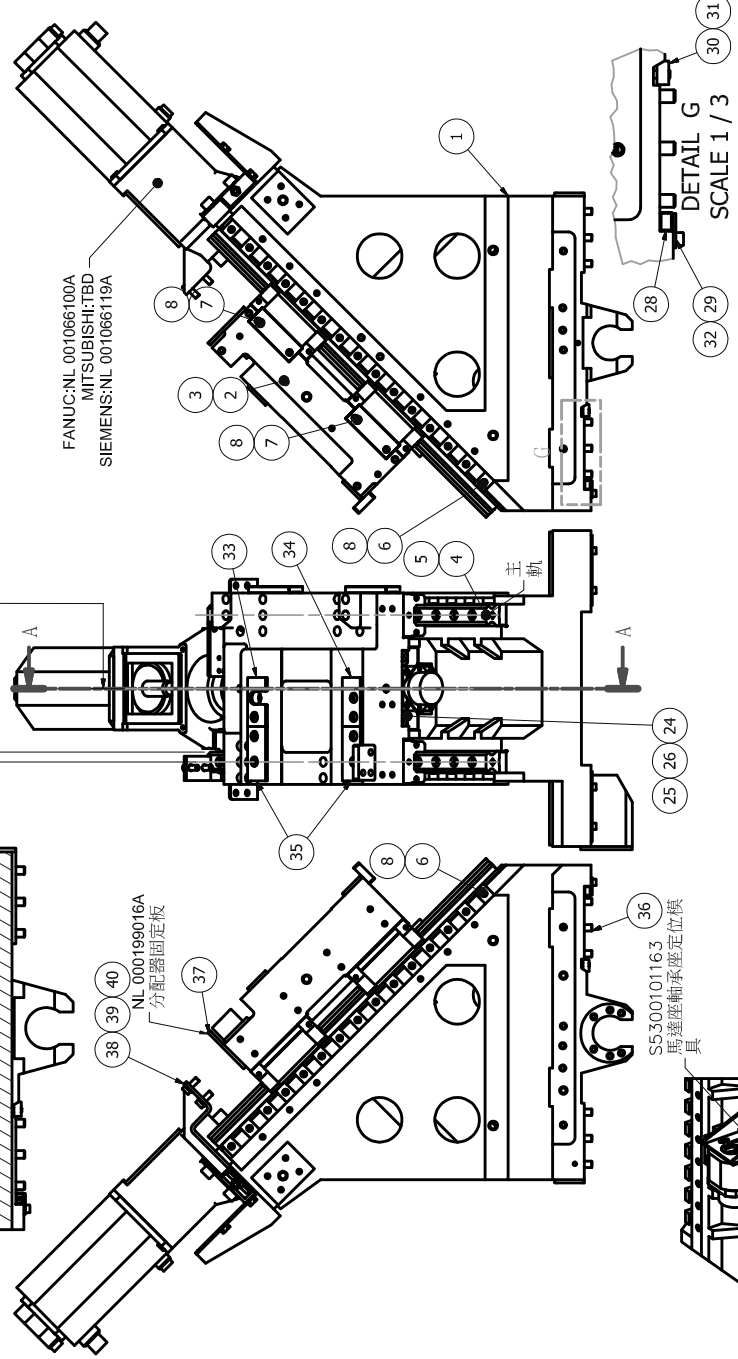
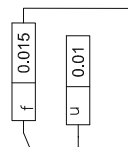
Item	Part NO.	Description	中文名稱	Specification	Qty	Unit
1.00	NV 00002660103	BEARING, BALL SCREW SUPPORT	滾珠導桿斜角滾珠軸承	NSK 25TAC62BSUC10PN7B (3/SET)	1.00	ST
2.00	NL 000049200A	LOCKNUT	鎖緊螺帽	[HSIANG KAI]SFZ25X1.5P	2.00	EA
4.00	NV 000179920J	SPACER, SUPPORT BRG	間隔圈	D47XD25XL11	2.00	EA
5.02	NL 001117600A	SEAT ,BEARING	軸承座	L128XW49XH78	1.00	EA
6.00	MS 0104020	SOCKET HEAD CAP SCREW	六角穴圓頭螺絲	M10XP1.5XL30	4.00	EA
7.00	NV 001011543J	COVER,BALLSCREW	軸承座蓋	D87XD47.4XW11	1.00	EA
8.00	MS 0103518	SOCKET HEAD CAP SCREW	六角穴圓頭螺絲	M5XP0.8XL20	4.00	EA
9.00	NVA000691601L	BUMPER(#40, Z-AXIS)	止動環(#40, Z軸)	D70XD34XL30	2.00	EA
10.00	NV 001011542J	COVER,BALLSCREW	軸蓋	D87XD47.4XW11	1.00	EA
11.00	MS 0103618	SOCKET HEAD CAP SCREW	六角穴圓頭螺絲	M6XP1.0XL20	4.00	EA
12.01	NL 000190200A	BALL SCREW, Z-AXIS	Z軸滾珠導螺桿	[PMI]R32-10T5-FDDC-839-1099	1.00	ST
13.00	MS 0103519	SOCKET HEAD CAP SCREW	六角穴圓頭螺絲	M5XP0.8XL25	6.00	EA
14.10	NL 000026200A	BASE	底座	L1989.5XW935XH794	1.00	ST
15.01	NL 000831602A	LINEAR GUIDE, Z-AXIS	Z軸線性滑軌	[INA]RUE35-E-L-W2-G2-V3/1330	1.00	ST
16.00	MS 0103820	SOCKET HEAD CAP SCREW	六角穴圓頭螺絲	M8XP1.25XL30	60.00	EA
17.02	NL 001023400A	SHAFT, POSITION	定位軸	L30XD35	2.00	EA
18.00	NV 300199020A	PAD	墊塊	D100XL30	6.00	EA
19.00	NV 000668409A	SCREW, LEVELING	水平調整螺絲	W32XL87*P2	6.00	EA
20.00	NV 000049212A	NUT	螺帽	W41XL10	6.00	EA

PRODUCT BOM MASTER AND SUB-ITEMS LIST

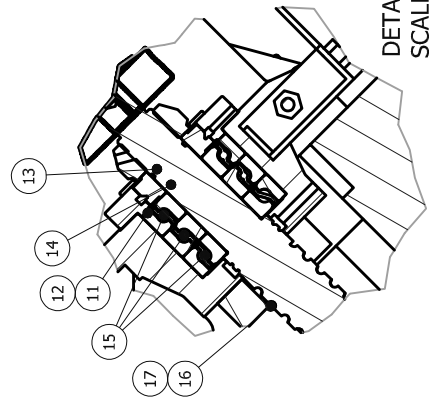
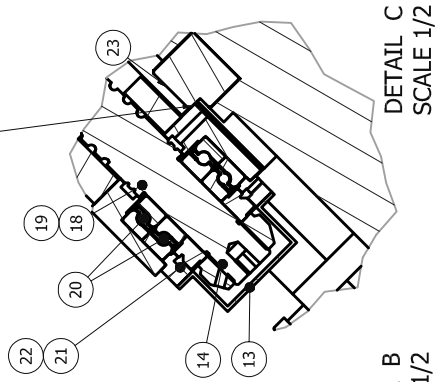
Item	Part NO.	Description	中文名稱	Specification	Qty	Unit
24.00	NV 00032530107	TAPER PIN	斜銷(內牙M5X0.8X16深)	D8X45L(M5X0.8XH16)	2.00	EA
25.02	NV 001059000D	RETAINER, WEDGE	楔塊	L20XW18.5XH9.5	30.00	EA
26.00	MS 0103617	SOCKET HEAD CAP SCREW	六角六圓頭螺絲	M6XP1.0XL16	30.00	EA
27.01	NL 001059005A	RETAINER, WEDGE	楔塊	L400XW25XH10	3.00	EA
28.00	MS 0103516	SOCKET HEAD CAP SCREW	六角六圓頭螺絲	M5XP0.8XL12	30.00	EA
31.00	MS 0103616	SOCKET HEAD CAP SCREW	六角六圓頭螺絲	M6XP1.0XL12	4.00	EA
33.00	NV 00002660137	BEARING, BALL SCREW SUPPORT	滾珠導桿斜角滾珠軸承	NSK 25TAC62BDTC10PN7B (2/SET)	1.00	ST
34.00	NL 000399050A	PLATE	馬達座蓋板	HT060D31	1.00	EA
35.00	NL 000199017A	COVER, BEARING HOUSING	護蓋	HT060D32	1.00	EA
36.00	NL 000199040A	PLATE,OIL TANK	油壓箱擋板	HT060D33	1.00	EA
37.00	NL 000399072A	Z AXIS SHIPPING,BRACKET	Z軸出機固定架	TEMP	1.00	EA
38.00	MW 0183610NI	SPRING WASHER (NICKEL)	彈簧墊圈(鍍鎳)	M6(HEAT TREATMENT)	2.00	EA
39.00	MS 0103818NI	SOCKET HEAD CAP SCREW(NICKEL)	六角六圓頭螺絲(鍍鎳)	M8XP1.25XL20	2.00	EA
40.00	MW 0183810NI	SPRING WASHER(NICKEL)	彈簧墊圈(鍍鎳)	M8(HEAT TREATMENT)	1.00	EA



SECTION A-A
SCALE 1/5



組裝時，此承靠面須黏合壓緊
組裝治具請參照「治具裝配圖」



MODEL: TALENT 42/51	SCALE: 1:9	REV. A
PART NUMBER: NL 000013039A	PAGE 1 OF 1	
X軸傳動	DATE 2017/7/13	

PRODUCT BOM MASTER AND SUB-ITEMS LIST

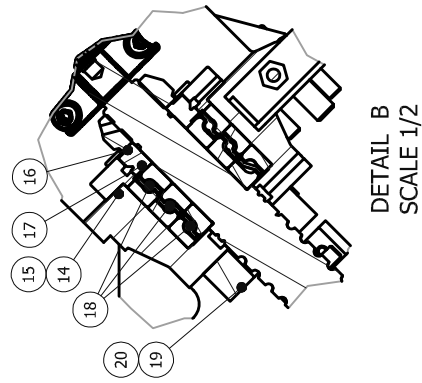
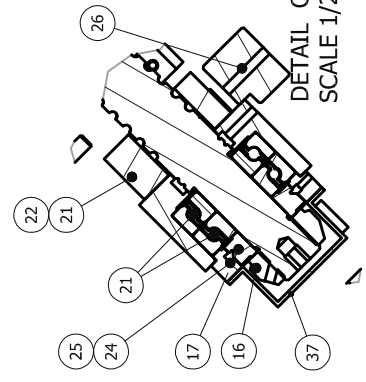
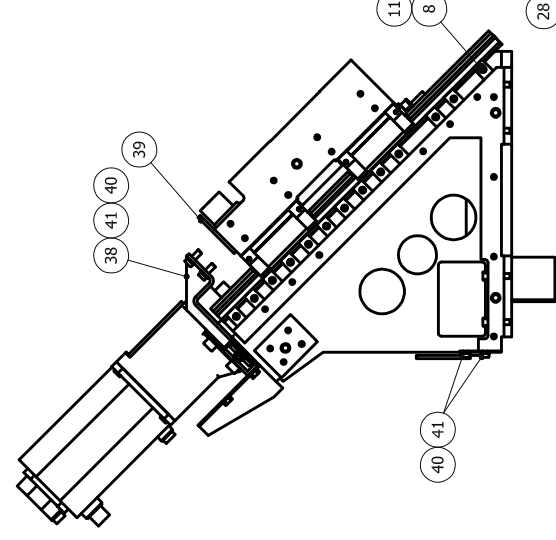
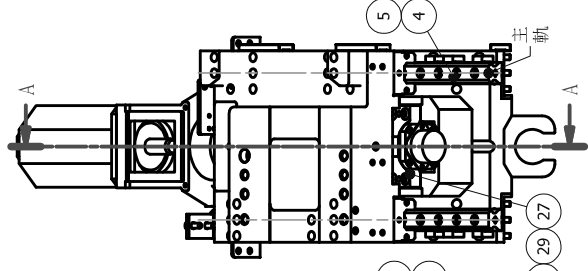
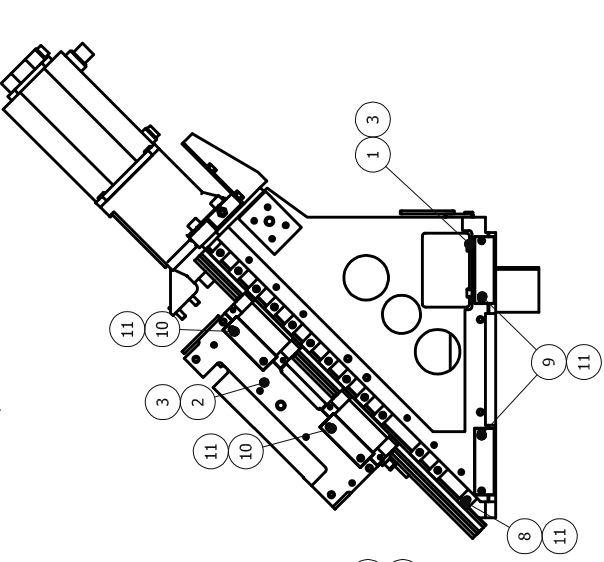
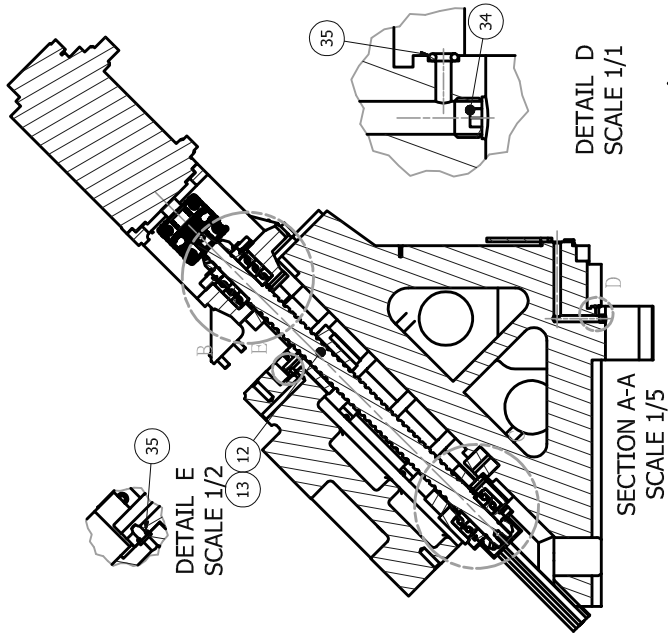
Master Item Part NO.: NL 000013039A

Description: X-AXIS CARRIAGE(W/O Y AXIS)
X軸傳動(無Y軸)

Item	Part NO.	Description	中文名稱	Specification	Qty	Unit
1.02	NL 000195403A	SADDLE, W/O Y-AXIS	無Y軸鞍座	L500XW498XH653	1.00	EA
2.02	NLA000720204A	X-SLIDE	X軸滑板	L339XW300XH149.5	1.00	EA
3.00	MS 0103821	SOCKET HEAD CAP SCREW	六角穴圓頭螺絲	M8XP1.25XL35	24.00	EA
4.00	NL 000831600A	LINEAR GUIDE, X-AXIS	X軸線性滑軌	[INA]RUE35-E-H-W2-G2-V3/6/16	1.00	ST
5.00	MS 0103820	SOCKET HEAD CAP SCREW	六角穴圓頭螺絲	M8XP1.25XL30	30.00	EA
6.00	BL 001059000A	RETAINER, WEDGE	楔塊	L25XW20XH10	30.00	EA
7.00	NL 001059002A	RETAINER, WEDGE	楔塊	L90XW31XH10	2.00	EA
8.00	MS 0103516	SOCKET HEAD CAP SCREW	六角穴圓頭螺絲	M5XP0.8XL12	34.00	EA
9.00	NL 000190202A	BALL SCREW, XY-AXIS	XY軸滾珠導螺桿	[PMI]R32-08T5-FSDC-347-574	1.00	ST
10.00	MS 0103819	SOCKET HEAD CAP SCREW	六角穴圓頭螺絲	M8XP1.25XL25	10.00	EA
11.00	NV 001011542J	COVER,BALLSCREW	軸蓋	D87XD47.4XW11	1.00	EA
12.00	MS 0103618	SOCKET HEAD CAP SCREW	六角穴圓頭螺絲	M6XP1.0XL20	4.00	EA
13.00	NL 000049200A	LOCKNUT	鎖緊螺帽	[HSIANG KAI]SFZ25X1.5P	2.00	EA
14.00	NV 000179920J	SPACER, SUPPORT BRG	間隔圈	D47XD25XL11	2.00	EA
15.00	NV 00002660103	BEARING, BALL SCREW SUPPORT	滾珠導桿斜角滾珠軸承	NSK 25TAC62BSUC10PN7B (3/SET)	1.00	ST
16.00	NL 000691603A	BUMPER	止動環	D70XD34XL20	1.00	EA
17.00	MS 0103615	SOCKET HEAD CAP SCREW	六角穴圓頭螺絲	M6XP1.0XL10	2.00	EA
18.00	NVA000691601L	BUMPER(#40, Z-AXIS)	止動環(#40, Z軸)	D70XD34XL30	1.00	EA
19.00	MS 0103616	SOCKET HEAD CAP SCREW	六角穴圓頭螺絲	M6XP1.0XL12	2.00	EA

PRODUCT BOM MASTER AND SUB-ITEMS LIST

Item	Part NO.	Description	中文名稱	Specification	Qty	Unit
20.00	NV 00002660137	BEARING, BALL SCREW SUPPORT	滾珠導桿斜角滾珠軸承	NSK 25TAC62BDTC10PN7B (2/SET)	1.00	ST
21.00	NV 001011543J	COVER,BALLSCREW	軸承座蓋	D87XD47.4XW11	1.00	EA
22.00	MS 0103518	SOCKET HEAD CAP SCREW	六角六圓頭螺絲	M5XP0.8XL20	4.00	EA
23.00	NL 001023400A	SHAFT, POSITION	定位軸	L30XD35	1.00	EA
24.01	NL 001117600A	SEAT ,BEARING	軸承座	L128XW49XH78	1.00	EA
25.00	NV 00032530107	TAPER PIN	斜銷(內牙M5X0.8X16深)	D8X45L(M5X0.8XH16)	2.00	EA
26.00	MS 0104020	SOCKET HEAD CAP SCREW	六角六圓頭螺絲	M10XP1.5XL30	4.00	EA
27.00	NV 00094310108	O-RING	O型油環	[JIS] P5	1.00	EA
28.00	NL 000648101A	GIB, GUIDE TRUCK	調整板	L110XW15XH10	2.00	EA
29.00	NL 000199038A	RETAINER, GIB SHIM	壓板	HT060D29	2.00	EA
30.00	NL 001059000A	RETAINER, WEDGE	楔塊	L110XW18.5XH9.5	2.00	EA
31.00	MS 0103620	SOCKET HEAD CAP SCREW	六角六圓頭螺絲	M6XP1.0XL30	4.00	EA
32.00	MS 0103617	SOCKET HEAD CAP SCREW	六角六圓頭螺絲	M6XP1.0XL16	4.00	EA
33.00	BL 001108328C	SHIM, TURRET	刀塔用墊片	L77XW40XH4.3	1.00	EA
34.00	BL 001108327C	SHIM, TURRET	刀塔用墊片	L77XW40XH4.3	1.00	EA
35.00	BL 001108326C	SHIM, TURRET	刀塔用墊片	L85XW40XH4.3	2.00	EA
36.00	MS 0104023	SOCKET HEAD CAP SCREW	六角六圓頭螺絲	M10XP1.5XL45	24.00	EA
37.00	NL 000199016A	BRACKET	分油塊座	HT060D30	1.00	EA
38.00	NL 000199019A	XY AXIS SHIPPING,BRACKET	XY軸出貨固定架	HT060DD5	1.00	EA
39.00	MS 0103818	SOCKET HEAD CAP SCREW	六角六圓頭螺絲	M8XP1.25XL20	4.00	EA
40.00	MW 0183810NI	SPRING WASHER(NICKEL)	彈簧墊圈(鍍鎳)	M8(HEAT TREATMENT)	4.00	EA
41.00	NL 000599074A	ADAPTER BRACKET	延伸架	TEMP	2.00	EA



MODEL: TALENT 42/51	SCALE: 1:9	REV. A
PART NUMBER: X轴传动	PAGE 1 OF 1	
PART NUMBER: NL 000013035A	DATE 2015/7/13	

PRODUCT BOM MASTER AND SUB-ITEMS LIST

Master Item Part NO.: NL 000013035A

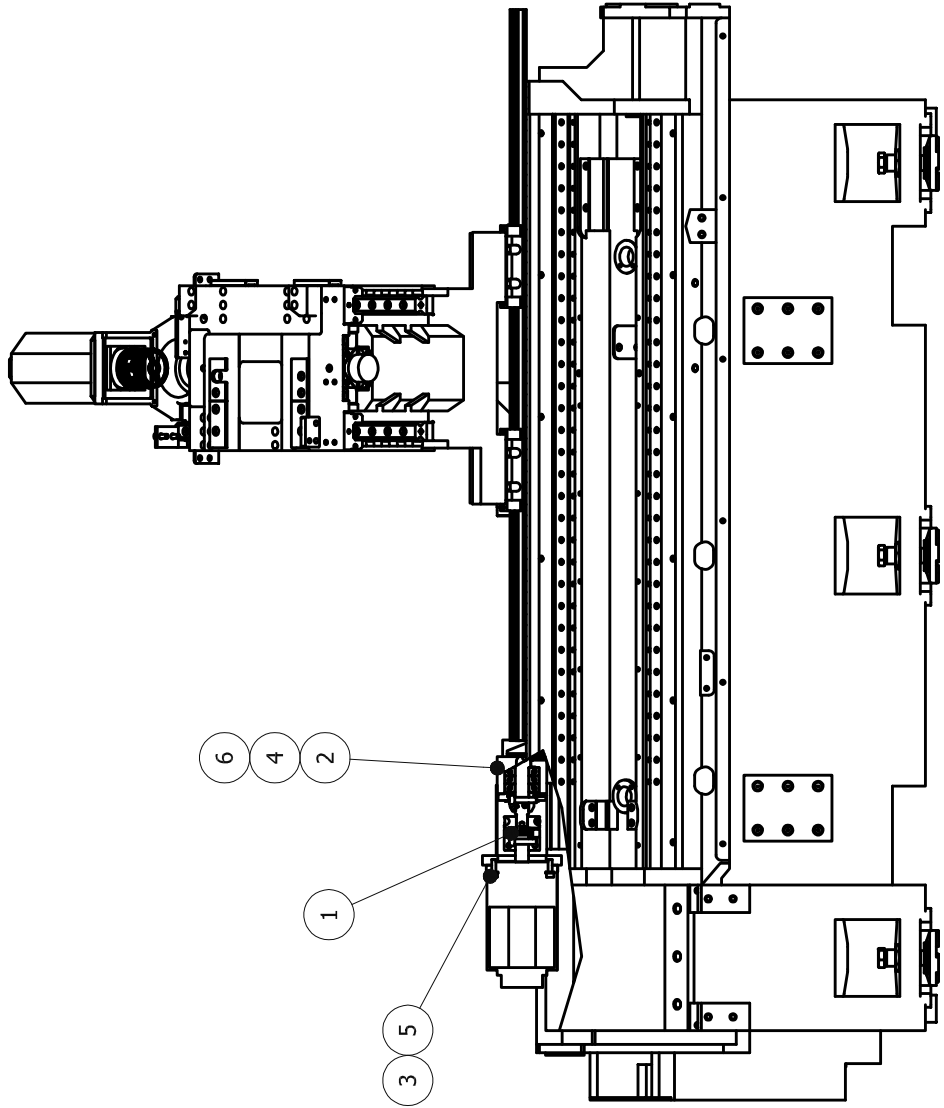
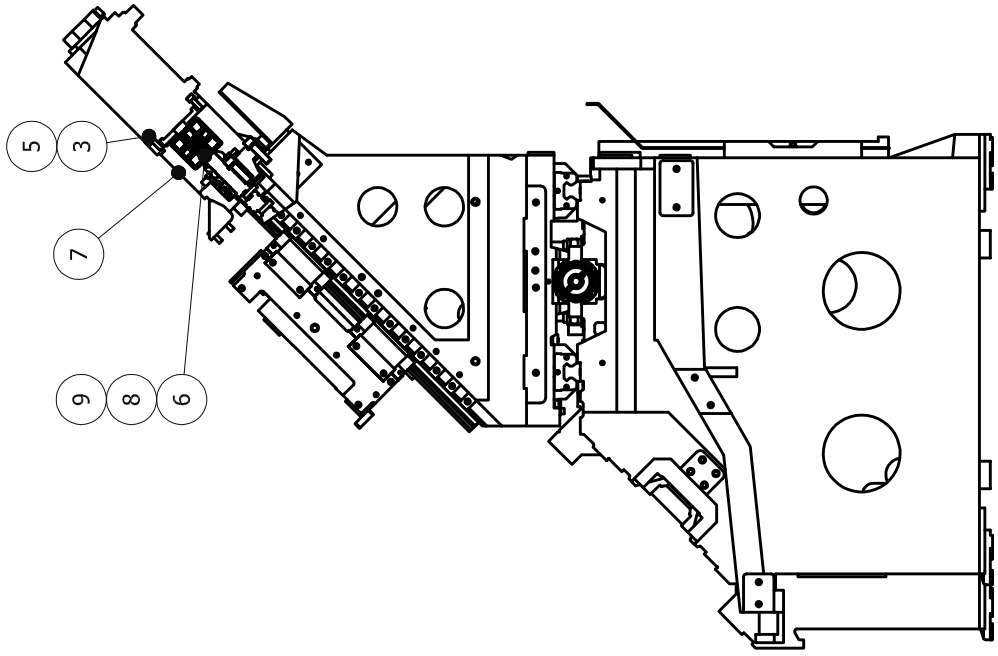
 Description: X-AXIS CARRIAGE(VDI)
 X軸傳動(VDI)

Item	Part NO.	Description	中文名稱	Specification	Qty	Unit
1.03	NL 000195401A	SADDLE, X-AXIS	X軸鞍座	L517XW302XH528	1.00	EA
2.02	NL 000720203A	X-SLIDE	X軸滑板	L339XW300XH149.5	1.00	EA
3.00	MS 0103821	SOCKET HEAD CAP SCREW	六角穴圓頭螺絲	M8XP1.25XL35	44.00	EA
4.00	NL 000831600A	LINEAR GUIDE, X-AXIS	X軸線性滑軌	[I]NAJRUE35-E-H-W2-G2-V3/6/16	1.00	ST
5.00	MS 0103820	SOCKET HEAD CAP SCREW	六角穴圓頭螺絲	M8XP1.25XL30	30.00	EA
8.00	BL 001059000A	RETAINER, WEDGE	楔塊	L25XW20XH10	2.00	EA
9.00	NL 001059001A	RETAINER, WEDGE	楔塊	L105XW31XH10	2.00	EA
10.00	NL 001059002A	RETAINER, WEDGE	楔塊	L90XW31XH10	2.00	EA
11.00	MS 0103516	SOCKET HEAD CAP SCREW	六角穴圓頭螺絲	M5XP0.8XL12	34.00	EA
12.00	NL 000190202A	BALL SCREW, XY-AXIS	XY軸滾珠導螺桿	[PM]JR32-08T5-FSDC-347-574	1.00	ST
13.00	MS 0103519	SOCKET HEAD CAP SCREW	六角穴圓頭螺絲	M5XP0.8XL25	6.00	EA
14.00	NV 001011542J	COVER,BALLSCREW	軸蓋	D87XD47.4XW11	1.00	EA
15.00	MS 0103618	SOCKET HEAD CAP SCREW	六角穴圓頭螺絲	M6XP1.0XL20	4.00	EA
16.00	NL 000049200A	LOCKNUT	鎖緊螺帽	[HSIANG KAI]SFZ25X1.5P	2.00	EA
17.00	NV 000179920J	SPACER, SUPPORT BRG	間隔圈	D47XD25XL11	2.00	EA
18.00	NV 00002660103	BEARING, BALL SCREW SUPPORT	滾珠導桿斜角滾珠軸承	NSK 25TAC62BSUC10PN7B (3/SET)	1.00	ST
19.01	NL 000691603A	BUMPER	止動環	D70XD34XL20	1.00	EA
20.00	MS 0103615	SOCKET HEAD CAP SCREW	六角穴圓頭螺絲	M6XP1.0XL10	2.00	EA
21.00	NVA000691601L	BUMPER(#40, Z-AXIS)	止動環(#40, Z軸)	D70XD34XL30	1.00	EA

PRODUCT BOM MASTER AND SUB-ITEMS LIST

Item	Part NO.	Description	中文名稱	Specification	Qty	Unit
22.00	MS 0103616	SOCKET HEAD CAP SCREW	六角穴圓頭螺絲	M6XP1.0XL12	2.00	EA
23.00	NV 00002660137	BEARING, BALL SCREW SUPPORT	滾珠導桿斜角滾珠軸承	NSK 25TAC62BDTC10PN7B (2/SET)	1.00	ST
24.00	NV 001011543J	COVER,BALLSCREW	軸承座蓋	D87XD47.4XW11	1.00	EA
25.00	MS 0103518	SOCKET HEAD CAP SCREW	六角穴圓頭螺絲	M5XP0.8XL20	4.00	EA
26.01	NL 001023400A	SHAFT, POSITION	定位軸	L30XD35	1.00	EA
27.00	NL 001117600A	SEAT ,BEARING	軸承座	L128XW49XH78	1.00	EA
28.00	NV 00032530107	TAPER PIN	斜銷(內牙M5X0.8X16深)	D8X45L(M5X0.8XH16)	2.00	EA
29.00	MS 0104020	SOCKET HEAD CAP SCREW	六角穴圓頭螺絲	M10XP1.5XL30	4.00	EA
34.00	NV 00077031701	PLUG, SOCKET HEX.	塞頭	PT1/8	1.00	EA
35.00	NV 00094310108	O-RING	O型油環	[JIS] P5	2.00	EA
37.00	NL 000199017A	COVER, BEARING HOUSING	護蓋	HT060D32	1.00	EA
38.00	NL 000199019A	XY AXIS SHIPPING,BRACKET	XY軸出貨固定架	HT060DD5	1.00	EA
39.00	NL 000199016A	BRACKET	分油塊座	HT060D30	2.00	EA

次序	設計變更紀錄	日期	ECN.
A	釋放	2015/12/13	1004020



MODEL: TALENT 42/51

PART NUMBER:
XZ聯軸器(FANUC)
X&Z AXIS COUPLING(FANUC)

PART NUMBER
NL 000013032A

DATE 2015/12/13
SCALE 1 : 10
REV. A

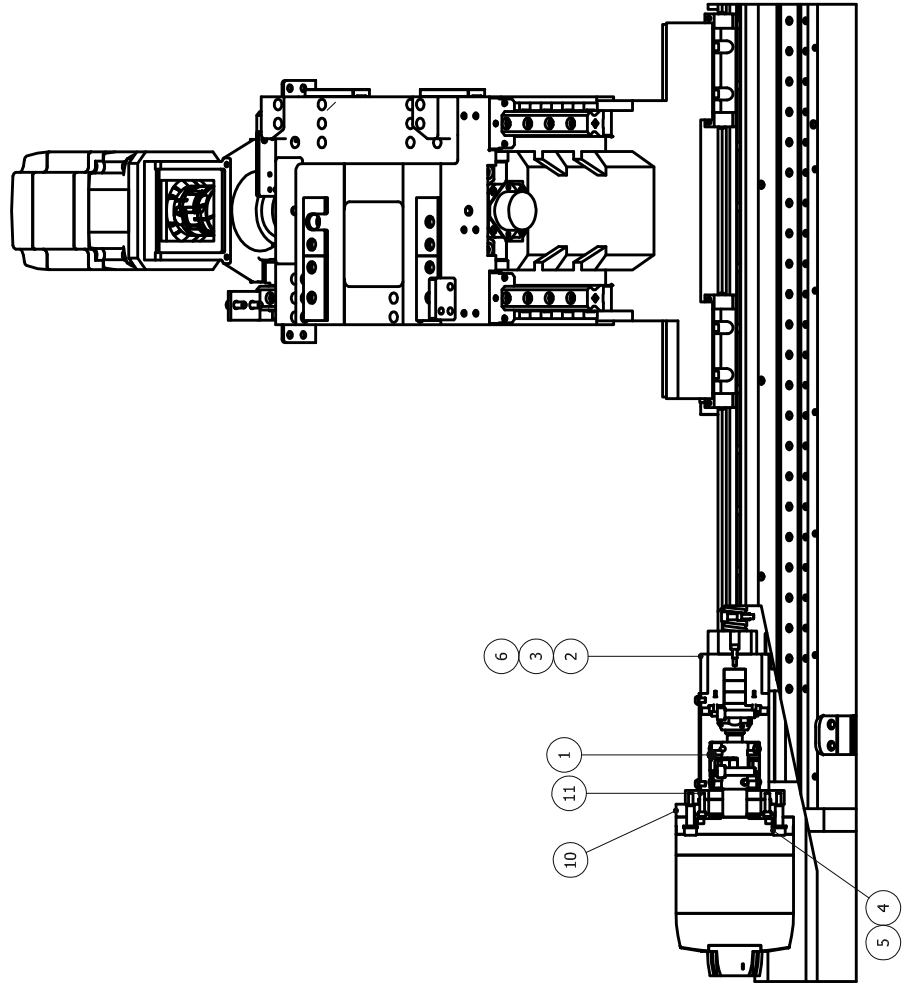
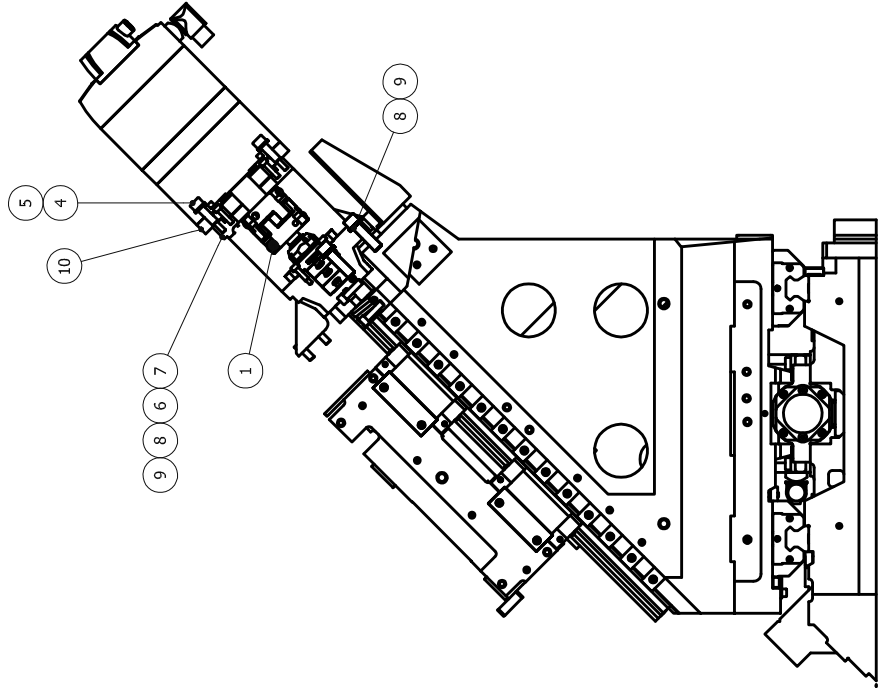
PAGE 1 OF 1
REV. A

PRODUCT BOM MASTER AND SUB-ITEMS LIST

Master Item Part NO.: NL 000013032A

Description: COUPLING(FANUC)-X&Z AXIS
聯軸器(FANUC)-XZ軸

Item	Part NO.	Description	中文名稱	Specification	Qty	Unit
1.00	NL 001179201A	COUPLING(FANUC)	聯軸器(FANUC)	[KTR] ROTEX-GS-28-98SHA	2.00	EA
2.00	NL 001066101A	SEAT, MOTOR(ZE AXIS)	馬達座(ZE軸)	L198XW154XH130	1.00	EA
3.00	MW 0183810	SPRING WASHER	彈簧墊圈	M8(HEAT TREATMENT)	4.00	EA
4.00	MS 0104022	SOCKET HEAD CAP SCREW	六角穴圓頭螺絲	M10XP1.5XL40	4.00	EA
5.00	MS 0103819	SOCKET HEAD CAP SCREW	六角穴圓頭螺絲	M8XP1.25XL25	8.00	EA
6.00	NV 00032530107	TAPER PIN	斜銷(內牙M5X0.8X16深)	D8X45L(M5X0.8XH16)	4.00	EA
7.00	NL 001066100A	SEAT, MOTOR(XY AXIS)	馬達座(XY軸)	L188XW188XH149	1.00	EA
8.00	MW 0184210	SPRING WASHER	彈簧墊圈	M12(HEAT TREATMENT)	4.00	EA
9.00	MS 0104223	SOCKET HEAD CAP SCREW	六角穴圓頭螺絲	M12XP1.75XL45	4.00	EA

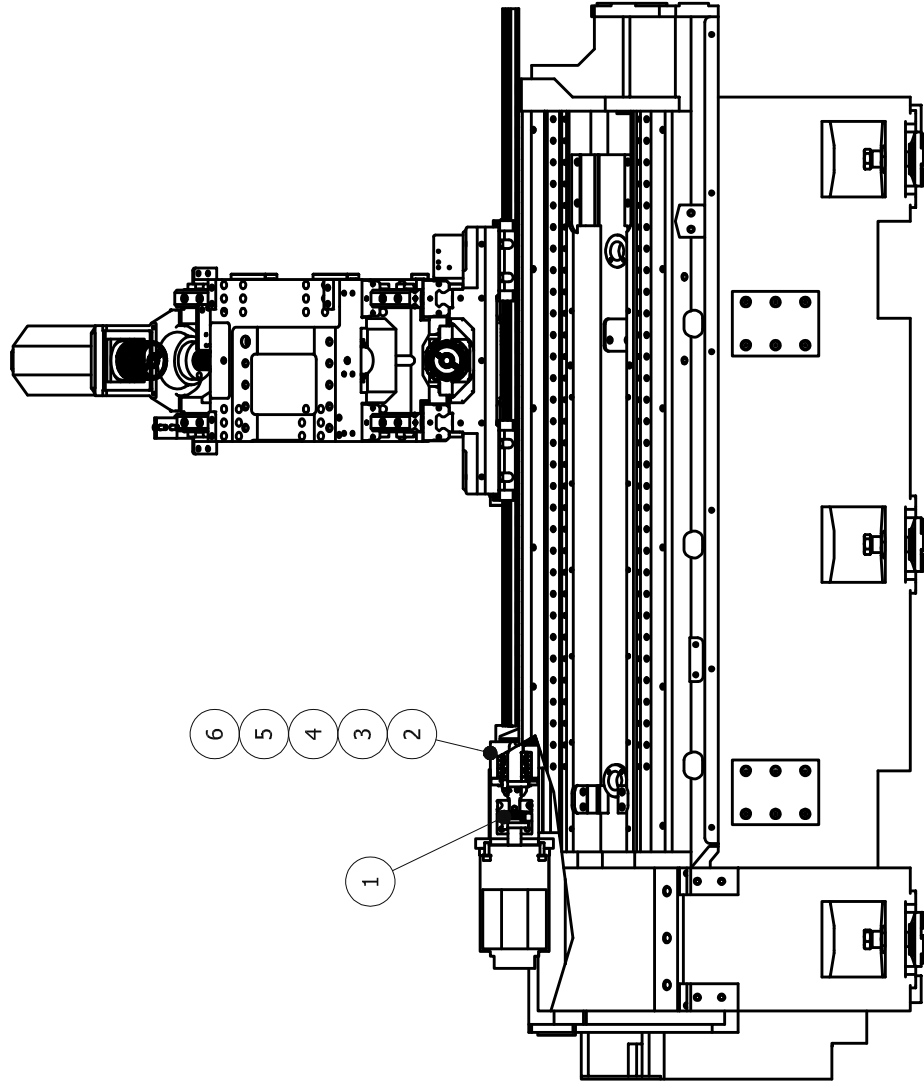
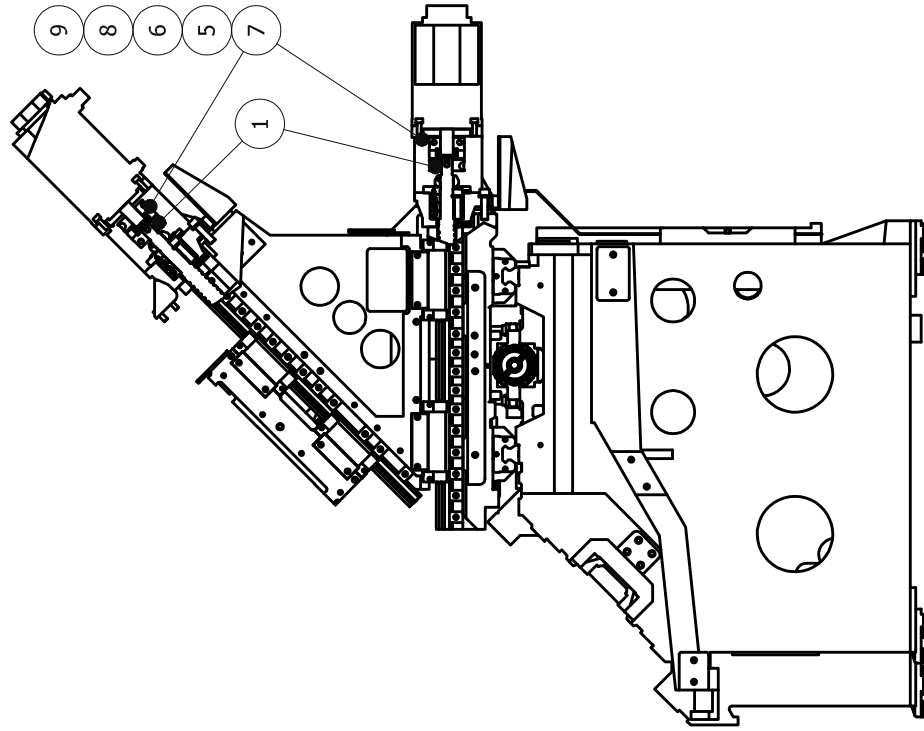


PRODUCT BOM MASTER AND SUB-ITEMS LIST

Master Item Part NO.: NL 000013033A

Description: COUPLING(FANUC)-X&Z AXIS
聯軸器(SIEMENS)-X&Z軸

Item	Part NO.	Description	中文名稱	Specification	Qty	Unit
1.00	NL 001179207A	COUPLING(SIEMENS)-XYZ AXIS	聯軸器(SIEMENS)-XYZ軸	[KTR] ROTEX GS 28 64SHD	2.00	EA
2.00	NL 001066120A	SEAT, MOTOR(ZE AXIS)(SIEMENS)	馬達座(ZE軸)(西門子)	L198XW154XH130	1.00	EA
3.00	MS 0104022	SOCKET HEAD CAP SCREW	六角穴圓頭螺絲	M10XP1.5XL40	4.00	EA
4.00	MS 0104020	SOCKET HEAD CAP SCREW	六角穴圓頭螺絲	M10XP1.5XL30	8.00	EA
5.00	MW 0184010	SPRING WASHER	彈簧墊圈	M10(HEAT TREATMENT)	8.00	EA
6.00	NV 00032530107	TAPER PIN	斜銷(內牙M5X0.8X16深)	D8X45L(M5X0.8XH16)	4.00	EA
7.00	NL 001066100A	SEAT, MOTOR(XY AXIS)	馬達座(XY軸)	L188XW188XH149	1.00	EA
8.00	MW 0184210	SPRING WASHER	彈簧墊圈	M12(HEAT TREATMENT)	4.00	EA
9.00	MS 0104223	SOCKET HEAD CAP SCREW	六角穴圓頭螺絲	M12XP1.75XL45	4.00	EA
10.00	NL 001066121A	PLATE, MOTOR-X Y Z AXIS	馬達轉接板-XYZ軸	L165XW165XH30	2.00	EA
11.00	MS 0103619	SOCKET HEAD CAP SCREW	六角穴圓頭螺絲	M6XP1.0XL25	16.00	EA



MODEL: TALENT 42/51

PART NUMBER:
XYZ聯軸器(FANUC)
COUPLING(FANUC)

PART NUMBER
NL 000013014A

PAGE
1 OF 1

REV.
A

SCALE
1 : 10

DATE
2015/12/13

W/REV

PRODUCT BOM MASTER AND SUB-ITEMS LIST

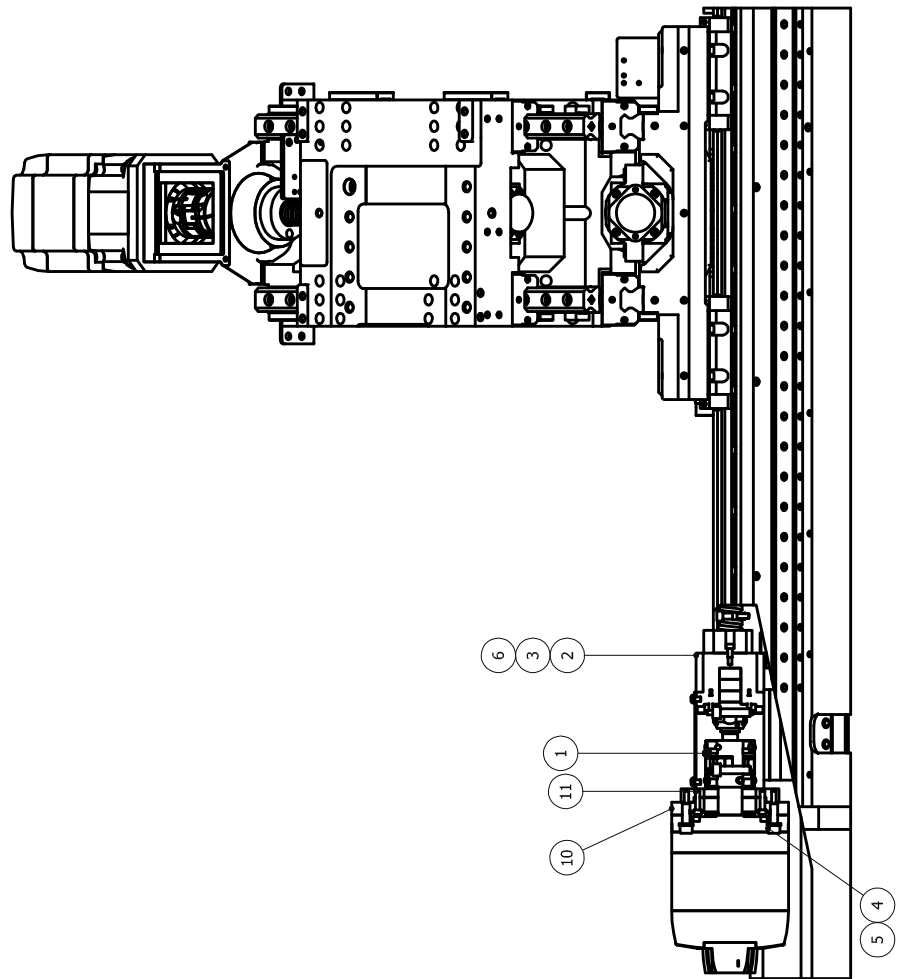
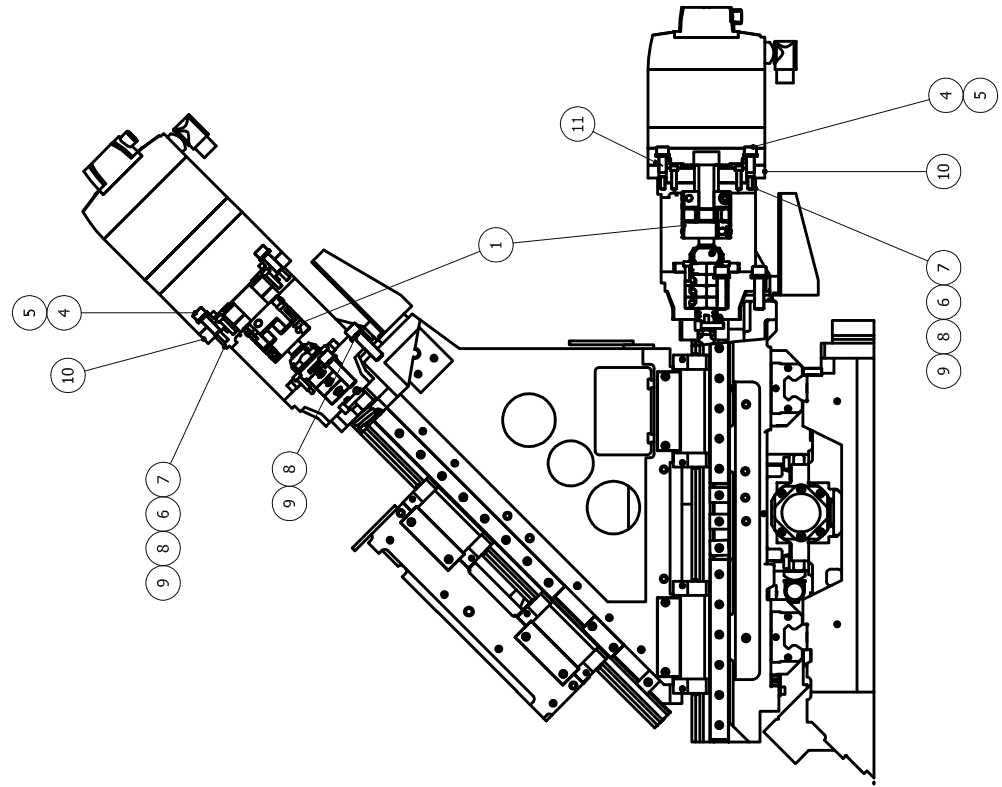
Master Item Part NO.: NL 000013314A

Description: HYDRAULIC HOSE&FITTING
油壓管路

Item	Part NO.	Description	中文名稱	Specification	Qty	Unit
1.00	NV 00069650172	HOSE, FLEXIBLE HYDRAULIC	耐油橡膠管	R1-Φ3/8"XW9/16"-18UNFX4M	2.00	EA
2.00	NV 00077030208	NIPPLE, STRAIGHT	直接頭	PT3/8X9/16-18UNF	2.00	EA
3.00	NV 00077031512	ELBOW, 90 DEG MALE	90度雙外牙肘管接頭	PT3/8"XW7/16"-20UNF	1.00	EA
4.00	NV 00069650325	HOSE, FLEXIBLE HYDRAULIC	耐油橡膠管	R1-Φ1/4"XW7/16"-20UNFX0.7M	1.00	EA
5.00	NV 00077031508	ELBOW, 90 DEG MALE	90度肘管接頭	PT1/8"(MALE)XW7/16"-20UNF(MALE)	1.00	EA
6.00	NV 00077031520	ELBOW, 90 DEG MALE(LENGTHEN)	90度肘管接頭(PT加長)	PT3/8"(MALE)XW9/16"-18UNF(MALE)	1.00	EA
7.00	NV 00069650320	HOSE, FLEXIBLE HYDRAULIC	耐油橡膠管	R1-Φ3/8"XW9/16"-18UNFX0.47M	1.00	EA
8.00	NV 00077031504	ELBOW, 90 DEG MALE	90度肘管接頭	PT3/8"(MALE)X9/16"-18UNF(MALE)	3.00	EA
9.00	BL 00069650232	HOSE, FLEXIBLE HYDRAULIC	耐油橡膠管	R1-Φ3/8"XW9/16"-18UNFX0.35M	1.00	EA
10.00	NV 00069660302	CLAMP, HOSE	不銹鋼管夾	2"(32-50MM)	1.00	EA
11.01	NL 00069650122	HOSE WITH FIBER	明網管	HOSEΦ1-1/4"X2M	1.00	MT
12.00	NV 00077030569	CONNECTOR	插心直接頭	PT1"XΦ1-1/4"	1.00	EA
13.00	NV 00069660302	CLAMP, HOSE	不銹鋼管夾	2"(32-50MM)	1.00	EA
14.00	NL 00069650109	HOSE, FLEXIBLE HYDRAULIC	耐油橡膠管	R1-Φ3/8"XW9/16"-18UNFX2.23M	2.00	EA
15.00	NL 00069650104	HOSE, FLEXIBLE HYDRAULIC	耐油橡膠管(外覆鋼絲)	R1-Φ3/8"XW9/16"-18UNFX1.2M	2.00	EA
16.00	NV 00077030208	NIPPLE, STRAIGHT	直接頭	PT3/8X9/16-18UNF	4.00	EA
17.00	GH 00069650038	HOSE, FLEXIBLE HYDRAULIC	耐油橡膠管	R1-Φ3/8"XW9/16"-18UNFX1.4M	1.00	EA
18.00	BL 00069650120	HOSE, FLEXIBLE HYDRAULIC	耐油橡膠管	R1-Φ3/8"XW9/16"-18UNFX1.55M	1.00	EA
19.00	NV 00077030210	NIPPLE, STRAIGHT	直接頭	PT1/4"X9/16"-18UNF	2.00	EA

PRODUCT BOM MASTER AND SUB-ITEMS LIST

Item	Part NO.	Description	中文名稱	Specification	Qty	Unit
20.00	BL 00069650194	HOSE, FLEXIBLE HYDRAULIC	耐油橡膠管	R1-Φ 1/2"XW3/4"-16UNFX1.2M	1.00	EA
21.00	NV 00077031528	ELBOW, 90 DEG MALE	90度肘管接頭	PT1/2"(MALE)X3/4"-16UNF (MALE)	3.00	EA
22.00	NL 00069650106	HOSE, FLEXIBLE HYDRAULIC	耐油橡膠管	R1-Φ 1/2"XW3/4"-16UNFX0.27M	1.00	EA
23.00	NV 00077031708	PLUG, SOCKET HEX.	塞頭(六角內穴)	PT1	1.00	EA
24.00	NV 00077030232	NIPPLE, STRAIGHT	直接頭	PT1/2X3/4-16UNF	2.00	EA
25.00	BL 00077030601	UNION	直雙內牙接頭(中間接頭)	PT1/8XPT1/8	1.00	EA
26.00	NV 00077031701	PLUG, SOCKET HEX.	塞頭	PT1/8	1.00	EA
27.00	NV 00077031201	BUSHING, BRASS	卜申接頭(卜申+套管+套管帽)	PT1/8XM10XP1	2.00	EA
28.00	NV 00077030208	NIPPLE, STRAIGHT	直接頭	PT3/8X9/16-18UNF	2.00	EA
29.00	NV 00077031215	BUSHING	卜申接頭(銅)	PT1/4"MXPT1/8"F	1.00	EA

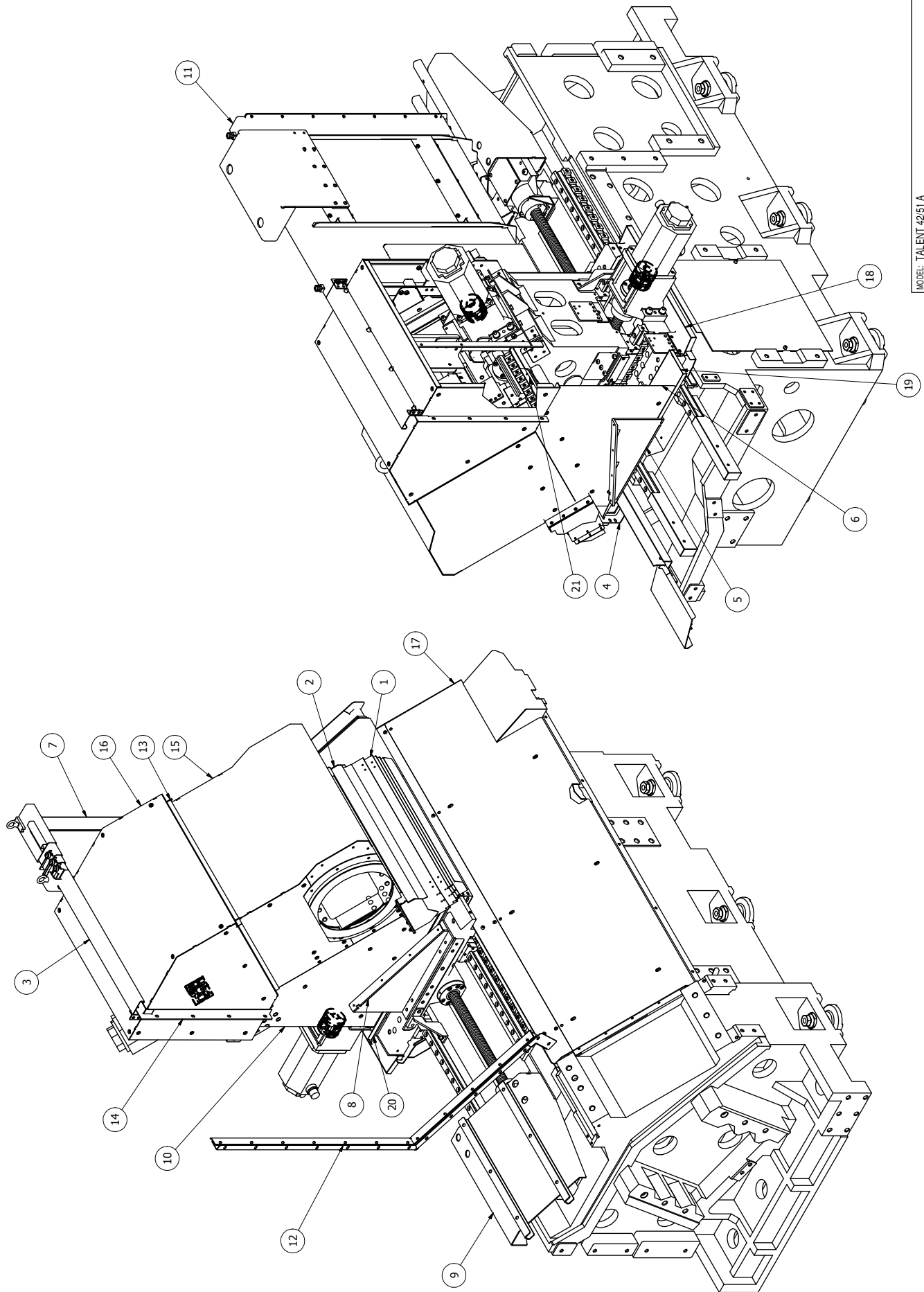


PRODUCT BOM MASTER AND SUB-ITEMS LIST

Master Item Part NO.: NL 000013016A

Description: COUPLING(SIEMENS)
XYZ聯軸器(SIEMENS)

Item	Part NO.	Description	中文名稱	Specification	Qty	Unit
1.01	NL 001179207A	COUPLING(SIEMENS)-XYZ AXIS	聯軸器(SIEMENS)-XYZ軸	[KTR] ROTEX GS 28 64SHD	3.00	EA
2.00	NL 001066120A	SEAT, MOTOR(ZE AXIS)(SIEMENS)	馬達座(ZE軸)(西門子)	L198XW154XH130	1.00	EA
3.00	MS 0104022	SOCKET HEAD CAP SCREW	六角穴圓頭螺絲	M10XP1.5XL40	4.00	EA
4.00	MS 0104020	SOCKET HEAD CAP SCREW	六角穴圓頭螺絲	M10XP1.5XL30	12.00	EA
5.00	MW 0184010	SPRING WASHER	彈簧墊圈	M10(HEAT TREATMENT)	12.00	EA
6.00	NV 00032530107	TAPER PIN	斜銷(內牙M5X0.8X16深)	D8X45L(M5X0.8XH16)	6.00	EA
7.02	NL 001066100A	SEAT, MOTOR(XY AXIS)	馬達座(XY軸)	L188XW188XH149	2.00	EA
8.00	MW 0184210	SPRING WASHER	彈簧墊圈	M12(HEAT TREATMENT)	8.00	EA
9.00	MS 0104223	SOCKET HEAD CAP SCREW	六角穴圓頭螺絲	M12XP1.75XL45	8.00	EA
10.01	NL 001066121A	PLATE, MOTOR-X Y Z AXIS	馬達轉接板-XYZ軸	L165XW165XH30	3.00	EA
11.00	MS 0103619	SOCKET HEAD CAP SCREW	六角穴圓頭螺絲	M6XP1.0XL25	24.00	EA



PRODUCT BOM MASTER AND SUB-ITEMS LIST

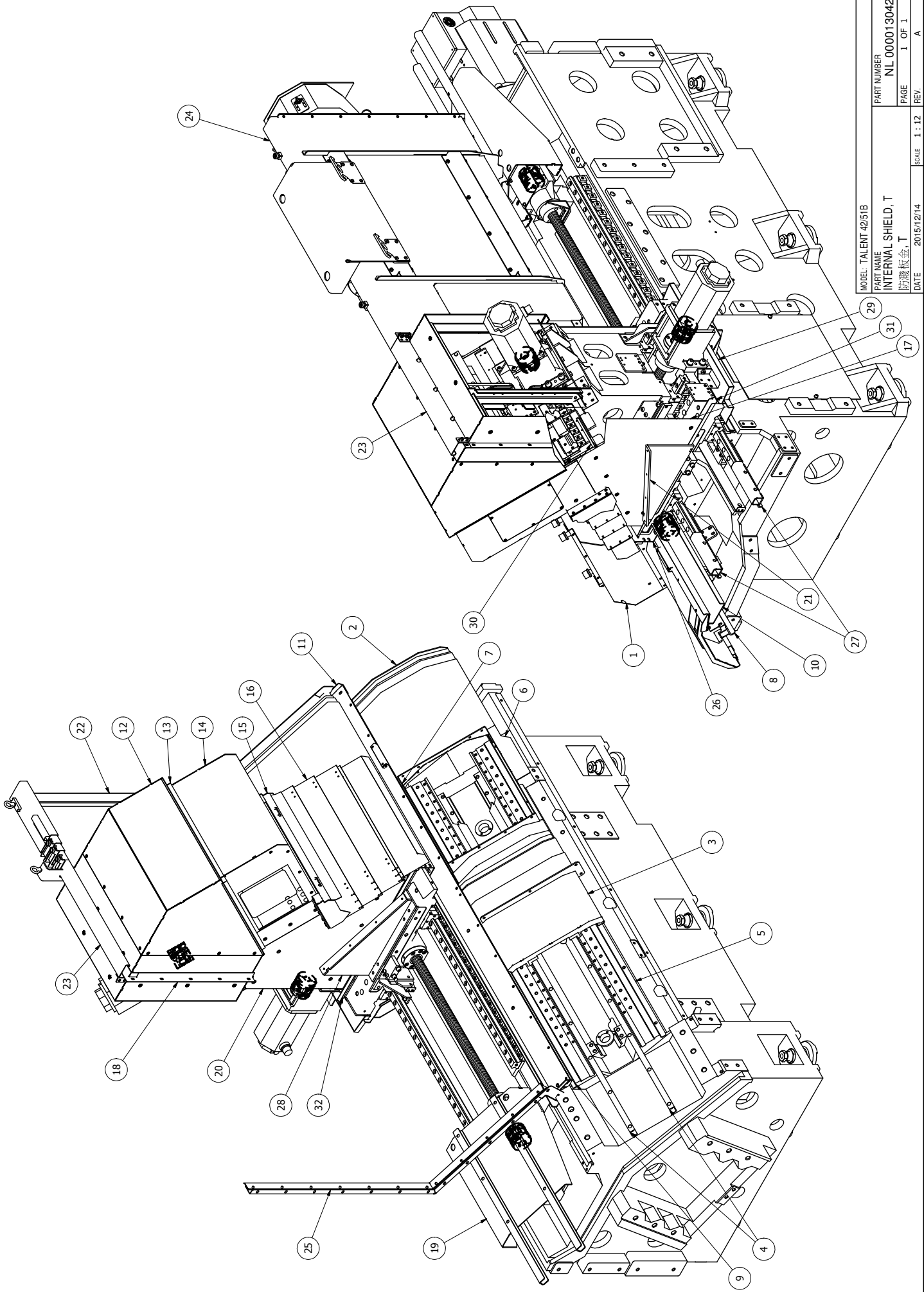
Master Item Part NO.: NL 000013006A

Description: INTERNAL SHIELD,MY
防濺板金, MY軸

Item Part NO.	Description	中文名稱	Specification	Qty	Unit
1.00	NL 001011571A WAYCOVER, X-AXIS	X軸護罩	L576XW156XH138.1	1.00	EA
2.00	NL 001011572A COVER,X AXIS	X軸護罩蓋板	L1550.1XW24.5XH20	1.00	EA
3.00	NL 001011573A CONNECT PLATE,Z AXIS	Z軸上連接板	L1550.1XW24.5XH20	1.00	EA
4.00	NL 001011574A CONNECT PLATE,Z AXIS	Z軸下連接板	L518XW103XH97.6	1.00	EA
5.00	NL 001011576A RIGHT SUPPORT BRACKET, Z AXIS	Z軸右支撐架	L1550.1XW24.5XH20	1.00	EA
6.00	NL 001011577A RIGHT COVER, Z AXIS	Z軸右遮屑板	L530.3XW504.7XH198	1.00	EA
7.01	NLA001011578A RIGHT WAYCOVER, Z AXIS	Z軸右護罩	L1111XW552.3XH302	1.00	EA
8.01	NLA001011557A LEFT BRACKET,Z AXIS	Z軸左支撐架	L350XW180XH104	1.00	EA
9.00	NL 001011579A EXTENSION GUIDEWAY, Z AXIS	Z軸左後延伸軌與支架	L1550.1XW24.5XH20	1.00	EA
10.00	NL 001011559A LEFT COVER,Z AXIS	Z軸左遮屑板	L484.8XW6XH519	1.00	EA
11.01	NLA001011580A LEFT WAYCOVER, Z AXIS	Z軸左護罩	L1069.5XW772XH508.8	1.00	EA
12.00	NL 001011561A WIPER,LEFT COVER	Z軸左護罩刮刷板	L860XW60XH757	1.00	EA
13.00	NL 001011581A FRONT WIPER, TURRET	刀塔前刮刷板	L556XW445XH20	1.00	EA
14.00	NL 001011582A REAR WIPER, TURRET	刀塔後刮刷板	L613XW491XH25	1.00	EA
15.00	NL 001011583A FRONT COVER, TURRET	刀塔前護罩	L520XW512XH484.5	1.00	EA
16.00	NL 001011584A REAR COVER, TURRET	刀塔後護罩	L569XW556XH504.7	1.00	EA
17.00	NL 001011585A COVER, SEAT	底座遮屑板	L1550.1XW24.5XH20	1.00	EA
18.00	NL 001011502A WATER GUIDING PLATE , Y AXIS	Y軸後導水板	L1550.1XW24.5XH20	1.00	EA
19.00	NL 001011512A COVER	左側導水板	TEMP	1.00	EA

PRODUCT BOM MASTER AND SUB-ITEMS LIST

Item	Part NO.	Description	中文名稱	Specification	Qty	Unit
20.00	NL 001011513A	COVER	右側導水盤	TEMP	1.00	EA
21.00	NL 001011514A	COVER	刀塔內側集水盤	TEMP	1.00	EA



PRODUCT BOM MASTER AND SUB-ITEMS LIST

Master Item Part NO.: NL 000013042A

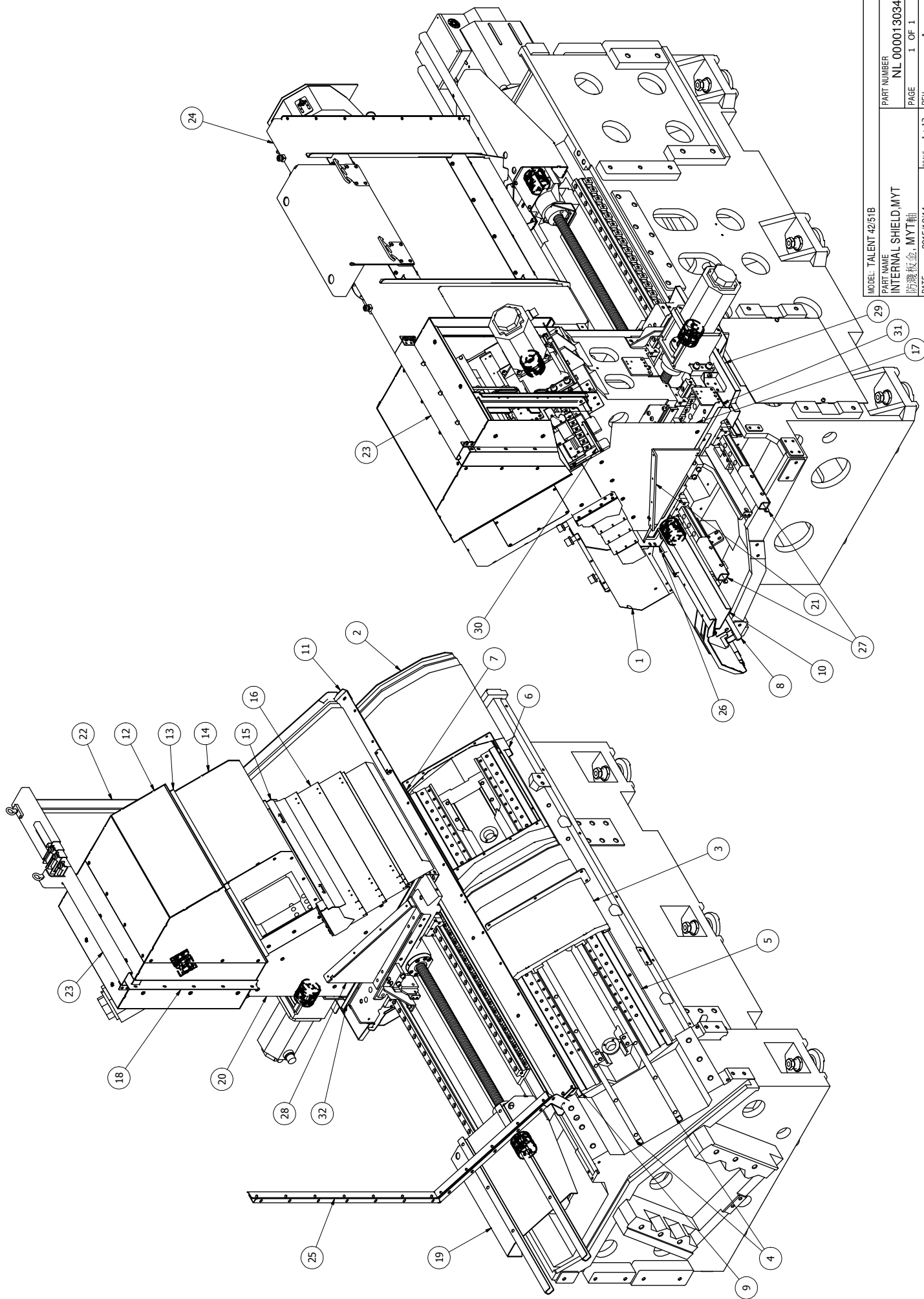
Description: INTERNAL SHIELD,MYT

防濺板金, MYT軸

Item Part NO.	Description	中文名稱	Specification	Qty	Unit
1.00	NL 001011504A COVER, TAILSTOCK	尾座護罩	S	1.00	EA
2.00	NL 001011569A RIGHT COVER,E AXIS	E軸右護罩	L1193XW382.5XH102.5	1.00	EA
3.00	NL 001011543A LEFT COVER,E AXIS	E軸左護罩	[KEYARROW] HT05AX05	1.00	EA
4.00	NL 001011544A RAIL RIGHT COVER,E AXIS	E軸左護罩軌道	[KEYARROW] HT05AX06	2.00	ST
5.00	NL 001011570A PLATE,E AXIS	E軸下遮屑板	L1550.1XW24.5XH20	1.00	EA
6.00	NL 001011505A COVER, TAILSTOCK	E軸前蓋板(尾座用)	S	1.00	EA
7.00	NL 001011547A COVER,E AXIS	E軸後蓋板	L401.5XW14.4XH65.8	1.00	EA
8.00	NL 001011568A BRACKET,E AXIS	E軸右支架	L249XW33XH34	2.00	ST
9.00	NL 001011539A PLATE,E AXIS	E軸上遮屑板	L1550.1XW24.5XH14.5	1.00	EA
10.00	NL 001011552A PLATE,Z AXIS	Z軸下遮屑板	L1840.6XW76.6XH60.9	1.00	EA
11.00	NL 001011538A COVER,E AXIS	E軸上蓋板	L1840.6XW22XH81	1.00	EA
12.01	NLA001011565A COVER,TURRET	刀塔後護罩	L476XW565XH492.3	1.00	EA
13.00	NL 001011562A WIPER,TURRET	刀塔前刮刷板	L476XW20XH491	1.00	EA
14.00	NL 001011564A COVER,TURRET	刀塔前護罩(SAUTER)	L424XW472XH482.5	1.00	EA
15.00	NL 001011549A COVER,X AXIS	X軸護罩蓋板	L500XW87.5XH58.2	1.00	EA
16.00	NL 001011548A COVER,X AXIS	X軸護罩	L404XW496XH138.1	1.00	EA
17.00	NL 001011555A RIGHT PLATE,Z AXIS	Z軸右遮屑板	L484.7XW118XH519	1.00	EA
18.00	NL 001011563A WIPER,TURRET	刀塔後刮刷板	L533XW25XH518	1.00	EA
19.00	NL 001011558A LEFT BRACKET,Z AXIS	Z軸左後延伸軌與支架	L700XW295XH190.4	1.00	EA

PRODUCT BOM MASTER AND SUB-ITEMS LIST

Item	Part NO.	Description	中文名稱	Specification	Qty	Unit
20.00	NL 001011559A	LEFT COVER,Z AXIS	Z軸左遮屑板	L484.8XW6XH519	1.00	EA
21.00	NL 001011554A	RIGHT BRACKET,Z AXIS	Z軸右支撐架	L350XW180XH109	1.00	EA
22.00	NL 001011556A	RIGHT COVER,Z AXIS	Z軸右護罩	L1053XW516.8XH1075	1.00	EA
23.00	NL 001011550A	PLATE,Z AXIS	Z軸上連接板	L490XW65XH40	1.00	EA
24.00	NLA001011560A	LEFT COVER,Z AXIS	Z軸左護罩	L1040.5XW565XH1086	1.00	EA
25.00	NL 001011561A	WIPER,LEFT COVER	Z軸左護罩刮刷板	L860XW60XH757	1.00	EA
26.00	NL 001011551A	PLATE,Z AXIS	Z軸下連接板	L438XW97.6XH103	1.00	EA
27.00	NL 001011553A	RIGHT BRACKET,Z AXIS	Z軸右支架	L260XW33XH34	2.00	ST
28.00	NLA001011557A	LEFT BRACKET,Z AXIS	Z軸左支撐架	L350XW180XH104	1.00	EA
29.00	NL 001011502A	WATER GUIDING PLATE , Y AXIS	Y軸後導水板	L1550.1XW24.5XH20	1.00	EA
30.00	NL 000599070A	PLANE , COOLENT COLLECT	刀塔內側集水盤	L551.31XW100XH8	1.00	EA
31.01	NL 000599071A	LEFT PLANE , COOLENT COLLECT	左側導水板	L638XW126XH15	1.00	EA
32.00	NL 000599072A	RIGHT PLANE , COOLENT COLLECT	右側導水板	L620XW20XH7	1.00	EA



PRODUCT BOM MASTER AND SUB-ITEMS LIST

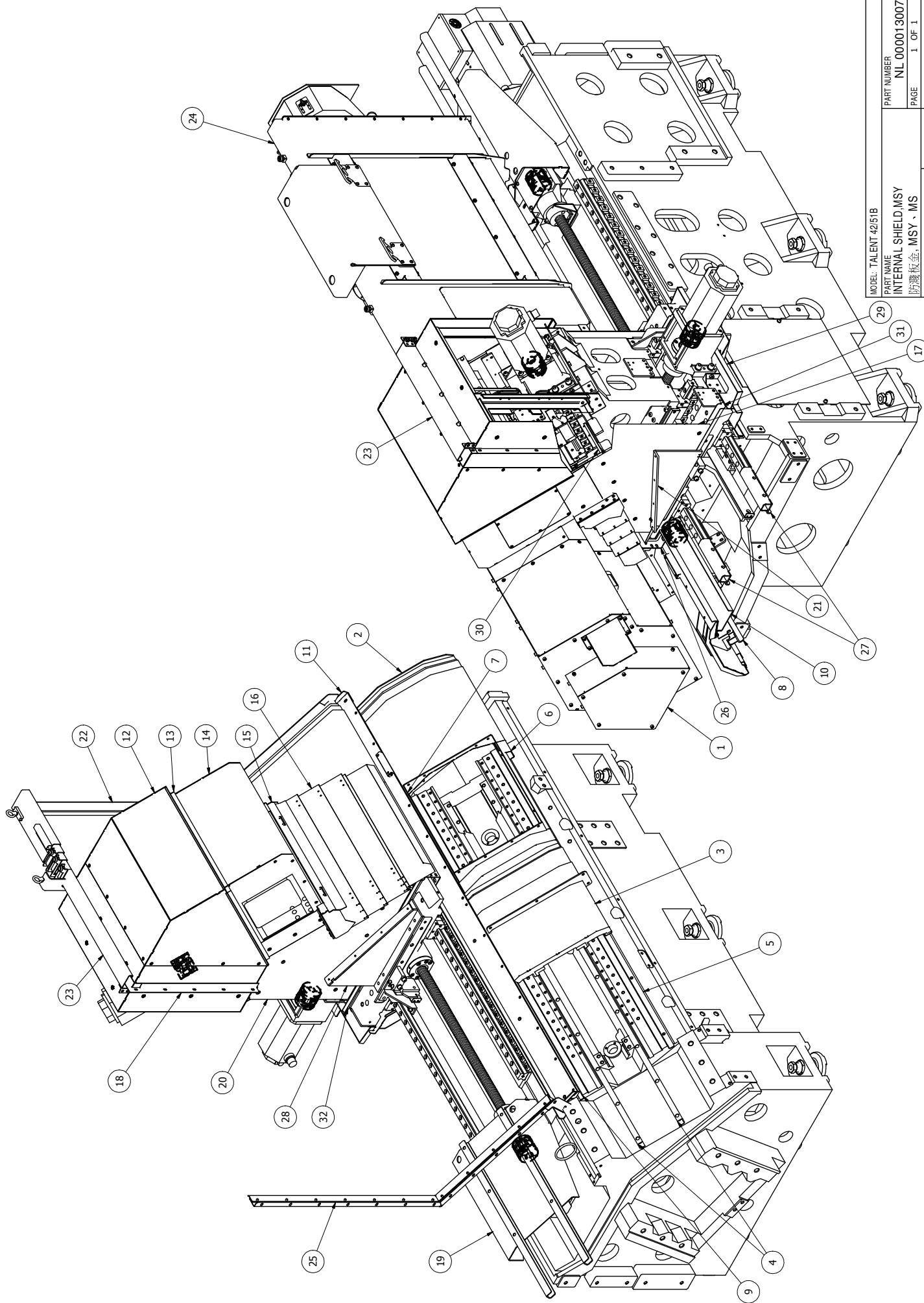
Master Item Part NO.: NL 000013034A

Description: INTERNAL SHIELD,MYT
防濺板金, MYT軸

Item Part NO.	Description	中文名稱	Specification	Qty	Unit
1.00	NL 001011504A COVER, TAILSTOCK	尾座護罩	S	1.00	EA
2.00	NL 001011569A RIGHT COVER,E AXIS	E軸右護罩	L1193XW382.5XH102.5	1.00	EA
3.00	NL 001011543A LEFT COVER,E AXIS	E軸左護罩	[KEYARROW] HT05AX05	1.00	EA
4.00	NL 001011544A RAIL RIGHT COVER,E AXIS	E軸左護罩軌道	[KEYARROW] HT05AX06	2.00	ST
5.00	NL 001011570A PLATE,E AXIS	E軸下遮屑板	L1550.1XW24.5XH20	1.00	EA
6.00	NL 001011546A COVER,E AXIS	E軸前蓋板	[KEYARROW] HT05AX06	1.00	EA
7.00	NL 001011547A COVER,E AXIS	E軸後蓋板	L401.5XW14.4XH65.8	1.00	ST
8.00	NL 001011568A BRACKET,E AXIS	E軸右支架	L249XW33XH34	2.00	EA
9.00	NL 001011539A PLATE,E AXIS	E軸上遮屑板	L1550.1XW24.5XH14.5	1.00	EA
10.00	NL 001011552A PLATE,Z AXIS	Z軸下遮屑板	L1840.6XW76.6XH60.9	1.00	EA
11.00	NL 001011538A COVER,E AXIS	E軸上蓋板	L1840.6XW22XH81	1.00	EA
12.01	NLA001011565A COVER,TURRET	刀塔後護罩	L476XW565XH492.3	1.00	EA
13.00	NL 001011562A WIPER,TURRET	刀塔前刮刷板	L476XW20XH491	1.00	EA
14.00	NL 001011564A COVER,TURRET	刀塔前護罩(SAUTER)	L424XW472XH482.5	1.00	EA
15.00	NL 001011549A COVER,X AXIS	X軸護罩蓋板	L500XW87.5XH58.2	1.00	ST
16.00	NL 001011548A COVER,X AXIS	X軸護罩	L404XW496XH138.1	1.00	EA
17.00	NL 001011555A RIGHT PLATE,Z AXIS	Z軸右遮屑板	L484.7XW118XH519	1.00	EA
18.00	NL 001011563A WIPER,TURRET	刀塔後刮刷板	L533XW25XH518	1.00	EA
19.00	NL 001011558A LEFT BRACKET,Z AXIS	Z軸左後延伸軌與支架	L700XW295XH190.4	1.00	EA

PRODUCT BOM MASTER AND SUB-ITEMS LIST

Item	Part NO.	Description	中文名稱	Specification	Qty	Unit
20.00	NL 001011559A	LEFT COVER,Z AXIS	Z軸左遮屑板	L484.8XW6XH519	1.00	EA
21.00	NL 001011554A	RIGHT BRACKET,Z AXIS	Z軸右支撐架	L350XW180XH109	1.00	EA
22.00	NL 001011556A	RIGHT COVER,Z AXIS	Z軸右護罩	L1053XW516.8XH1075	1.00	EA
23.00	NL 001011550A	PLATE,Z AXIS	Z軸上連接板	L490XW65XH40	1.00	EA
24.01	NLA001011560A	LEFT COVER,Z AXIS	Z軸左護罩	L1040.5XW565XH1086	1.00	EA
25.00	NL 001011561A	WIPER,LEFT COVER	Z軸左護罩刮刷板	L860XW60XH757	1.00	EA
26.00	NL 001011551A	PLATE,Z AXIS	Z軸下連接板	L438XW97.6XH103	1.00	EA
27.00	NL 001011553A	RIGHT BRACKET,Z AXIS	Z軸右支架	L260XW33XH34	2.00	EA
28.01	NLA001011557A	LEFT BRACKET,Z AXIS	Z軸左支撐架	L350XW180XH104	1.00	EA
29.00	NL 001011502A	WATER GUIDING PLATE , Y AXIS	Y軸後導水板	L1550.1XW24.5XH20	1.00	EA
30.00	NL 000599070A	PLANE , COOLENT COLLECT	刀塔內側集水盤	L551.31XW100XH8	1.00	EA
31.00	NL 000599071A	LEFT PLANE , COOLENT COLLECT	左側導水板	L638XW126XH15	1.00	EA
32.00	NL 000599072A	RIGHT PLANE , COOLENT COLLECT	右側導水板	L620XW20XH7	1.00	EA



MODEL: TALENT-42/51B	PART NUMBER	NL 00001 3007A
PART NAME	INTERNAL SHIELD,MSY	
防護板蓋, MSY - MS		
DATE 2015/12/14	PAGE	1 OF 1
SCALE 1: 12	REV.	A

PRODUCT BOM MASTER AND SUB-ITEMS LIST

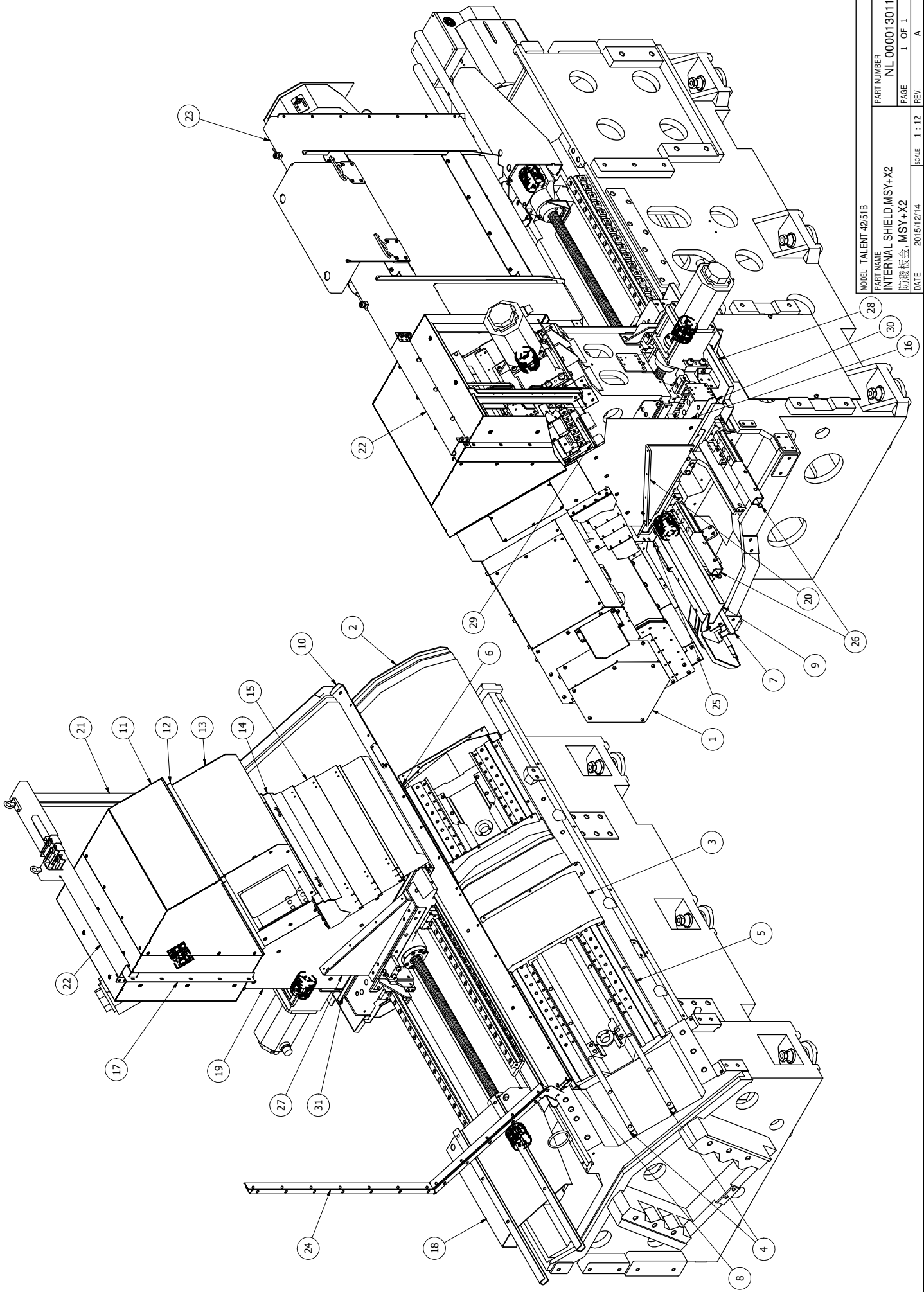
Master Item Part NO.: NL 000013007A

Description: INTERNAL SHIELD,MSY
防濺板金, MSY軸

Item Part NO.	Description	中文名稱	Specification	Qty	Unit
1.01	NLB001011567A COVER, SUB-SPINDLE	第二主軸護罩	[KEYARROW] HT05AX28	1.00	ST
2.00	NL 001011569A RIGHT COVER,E AXIS	E軸右護罩	L1193XW382.5XH102.5	1.00	EA
3.00	NL 001011543A LEFT COVER,E AXIS	E軸左護罩	[KEYARROW] HT05AX05	1.00	EA
4.00	NL 001011544A RAIL RIGHT COVER,E AXIS	E軸左護罩軌道	[KEYARROW] HT05AX06	2.00	ST
5.00	NL 001011570A PLATE,E AXIS	E軸下遮屑板	L1550.1XW24.5XH20	1.00	EA
6.00	NL 001011546A COVER,E AXIS	E軸前蓋板	[KEYARROW] HT05AX06	1.00	EA
7.00	NL 001011547A COVER,E AXIS	E軸後蓋板	L401.5XW14.4XH65.8	1.00	ST
8.00	NL 001011568A BRACKET,E AXIS	E軸右支架	L249XW33XH34	2.00	EA
9.00	NL 001011539A PLATE,E AXIS	E軸上遮屑板	L1550.1XW24.5XH14.5	1.00	EA
10.00	NL 001011552A PLATE,Z AXIS	Z軸下遮屑板	L1840.6XW76.6XH60.9	1.00	EA
11.00	NL 001011538A COVER,E AXIS	E軸上蓋板	L1840.6XW22XH81	1.00	EA
12.01	NLA001011565A COVER,TURRET	刀塔後護罩	L476XW565XH492.3	1.00	EA
13.00	NL 001011562A WIPER,TURRET	刀塔前刮刷板	L476XW20XH491	1.00	EA
14.00	NL 001011564A COVER,TURRET	刀塔前護罩(SAUTER)	L424XW472XH482.5	1.00	EA
15.00	NL 001011549A COVER,X AXIS	X軸護罩蓋板	L500XW87.5XH58.2	1.00	ST
16.00	NL 001011548A COVER,X AXIS	X軸護罩	L404XW496XH138.1	1.00	EA
17.00	NL 001011555A RIGHT PLATE,Z AXIS	Z軸右遮屑板	L484.7XW118XH519	1.00	EA
18.00	NL 001011563A WIPER,TURRET	刀塔後刮刷板	L533XW25XH518	1.00	EA
19.00	NL 001011558A LEFT BRACKET,Z AXIS	Z軸左後延伸軌與支架	L700XW295XH190.4	1.00	EA

PRODUCT BOM MASTER AND SUB-ITEMS LIST

Item	Part NO.	Description	中文名稱	Specification	Qty	Unit
20.00	NL 001011559A	LEFT COVER,Z AXIS	Z軸左遮屑板	L484.8XW6XH519	1.00	EA
21.00	NL 001011554A	RIGHT BRACKET,Z AXIS	Z軸右支撐架	L350XW180XH109	1.00	EA
22.00	NL 001011556A	RIGHT COVER,Z AXIS	Z軸右護罩	L1053XW516.8XH1075	1.00	EA
23.00	NL 001011550A	PLATE,Z AXIS	Z軸上連接板	L490XW65XH40	1.00	EA
24.01	NLA001011560A	LEFT COVER,Z AXIS	Z軸左護罩	L1040.5XW565XH1086	1.00	EA
25.00	NL 001011561A	WIPER,LEFT COVER	Z軸左護罩刮刷板	L860XW60XH757	1.00	EA
26.00	NL 001011551A	PLATE,Z AXIS	Z軸下連接板	L438XW97.6XH103	1.00	EA
27.00	NL 001011553A	RIGHT BRACKET,Z AXIS	Z軸右支架	L260XW33XH34	2.00	EA
28.01	NLA001011557A	LEFT BRACKET,Z AXIS	Z軸左支撐架	L350XW180XH104	1.00	EA
29.00	NL 001011502A	WATER GUIDING PLATE , Y AXIS	Y軸後導水板	L1550.1XW24.5XH20	1.00	EA
30.00	NL 000599070A	PLANE , COOLENT COLLECT	刀塔內側集水盤	L551.31XW100XH8	1.00	EA
31.00	NL 000599071A	LEFT PLANE , COOLENT COLLECT	左側導水板	L638XW126XH15	1.00	EA
32.00	NL 000599072A	RIGHT PLANE , COOLENT COLLECT	右側導水板	L620XW20XH7	1.00	EA
33.00	NL 001011516A	COVER, SUB-SPINDLE	油管蓋板D	TEMP	1.00	EA
34.00	NL 001011517A	BRACKET, SUB-SPINDLE	副主軸蓋板支架A	TEMP	1.00	EA
35.00	NL 001011518A	BRACKET, SUB-SPINDLE	副主軸蓋板支架B	TEMP	1.00	EA
36.00	NL 001011519A	PIPE CLAMPING, SUB-SPINDLE	管夾A	TEMP	1.00	EA
37.00	NL 001011520A	PIPE CLAMPING, SUB-SPINDLE	管夾B	TEMP	1.00	EA
38.00	NL 001011521A	PIPE CLAMPING, SUB-SPINDLE	管夾C	TEMP	1.00	EA
39.00	NL 001011522A	PIPE CLAMPING, SUB-SPINDLE	管夾D	TEMP	1.00	EA
40.00	NL 001011523A	PIPE CLAMPING, SUB-SPINDLE	管夾E	TEMP	1.00	EA



MODEL: TALENT-42/51B	PART NUMBER
PART NAME	NL 000013011A
INTERNAL SHIELD,MSY+X2	PAGE
防護板組, MSY+X2	1 OF 1
DATE 2015/12/14	SCALE 1:12
	REV. A

PRODUCT BOM MASTER AND SUB-ITEMS LIST

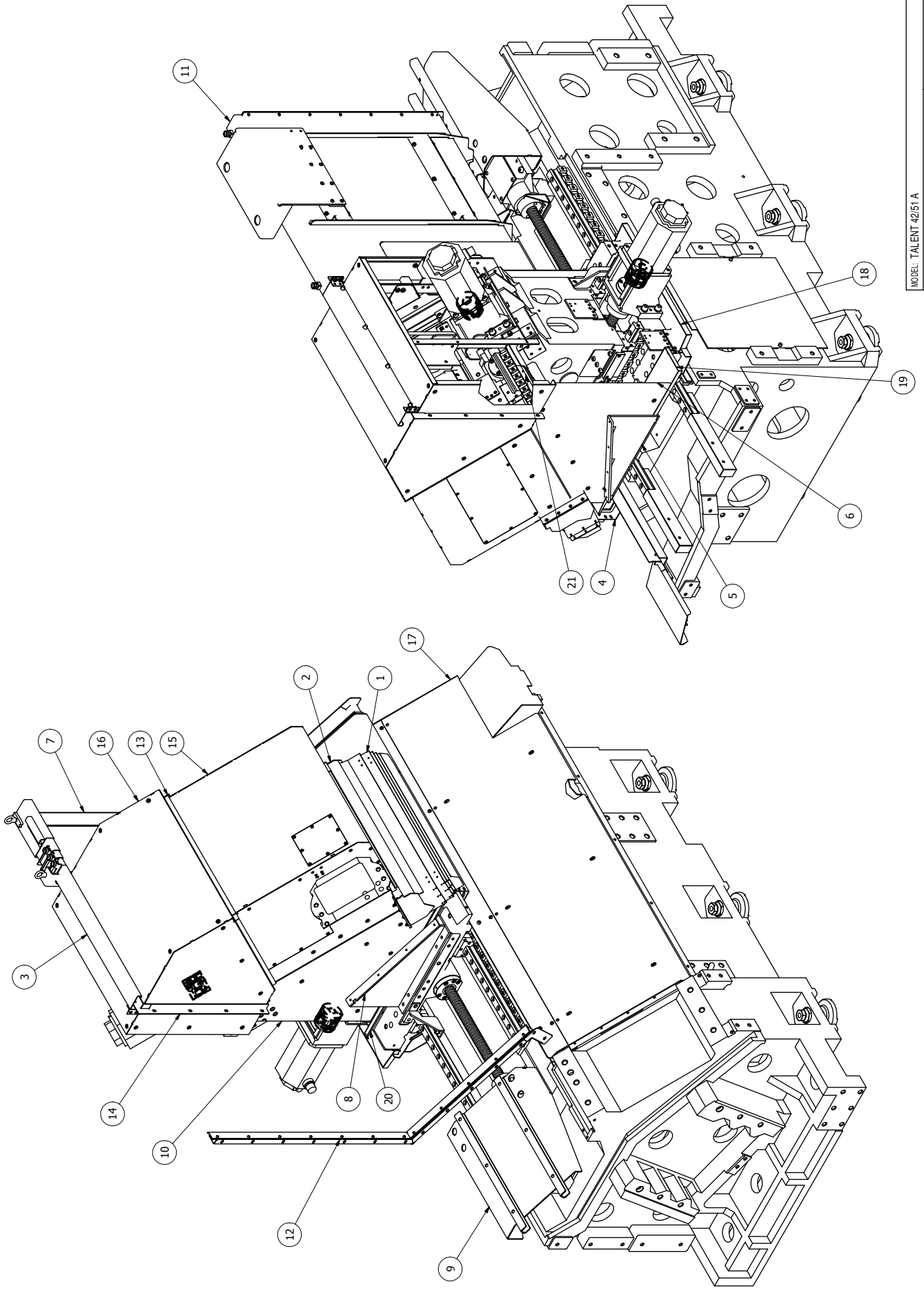
Master Item Part NO.: NL 000013011A

Description: INTERNAL SHIELD,MSY+X2
防濺板金, MSY軸+X2

Item Part NO.	Description	中文名稱	Specification	Qty	Unit
1.00	NL 001011508A COVER, X2 AXIS	X2護罩	S	1.00	EA
2.00	NL 001011569A RIGHT COVER,E AXIS	E軸右護罩	L1193XW382.5XH102.5	1.00	EA
3.00	NL 001011543A LEFT COVER,E AXIS	E軸左護罩	[KEYARROW] HT05AX05	1.00	EA
4.00	NL 001011544A RAIL RIGHT COVER,E AXIS	E軸左護罩軌道	[KEYARROW] HT05AX06	2.00	ST
5.00	NL 001011570A PLATE,E AXIS	E軸下遮屑板	L1550.1XW24.5XH20	1.00	EA
6.01	NL 001011509A COVER,E AXIS	E軸後蓋板(X2)	L472XW41.5XH32.7	1.00	EA
7.00	NL 001011568A BRACKET,E AXIS	E軸右支架	L249XW33XH34	2.00	ST
8.00	NL 001011539A PLATE,E AXIS	E軸上遮屑板	L1550.1XW24.5XH14.5	1.00	EA
9.00	NL 001011552A PLATE,Z AXIS	Z軸下遮屑板	L1840.6XW76.6XH60.9	1.00	EA
10.00	NL 001011538A COVER,E AXIS	E軸上蓋板	L1840.6XW22XH81	1.00	EA
11.00	NLA001011565A COVER,TURRET	刀塔後護罩	L476XW565XH492.3	1.00	EA
12.00	NL 001011562A WIPER,TURRET	刀塔前刮刷板	L476XW20XH491	1.00	EA
13.00	NL 001011564A COVER,TURRET	刀塔前護罩(SAUTER)	L424XW472XH482.5	1.00	EA
14.00	NL 001011549A COVER,X AXIS	X軸護罩蓋板	L500XW87.5XH58.2	1.00	EA
15.00	NL 001011548A COVER,X AXIS	X軸護罩	L404XW496XH138.1	1.00	EA
16.00	NL 001011555A RIGHT PLATE,Z AXIS	Z軸右遮屑板	L484.7XW118XH519	1.00	EA
17.00	NL 001011563A WIPER,TURRET	刀塔後刮刷板	L533XW25XH518	1.00	EA
18.00	NL 001011558A LEFT BRACKET,Z AXIS	Z軸左後延伸軌與支架	L700XW295XH190.4	1.00	EA
19.00	NL 001011559A LEFT COVER,Z AXIS	Z軸左遮屑板	L484.8XW6XH519	1.00	EA

PRODUCT BOM MASTER AND SUB-ITEMS LIST

Item	Part NO.	Description	中文名稱	Specification	Qty	Unit
20.00	NL 001011554A	RIGHT BRACKET,Z AXIS	Z軸右支撐架	L350XW180XH109	1.00	EA
21.00	NL 001011556A	RIGHT COVER,Z AXIS	Z軸右護罩	L1053XW516.8XH1075	1.00	EA
22.00	NL 001011550A	PLATE,Z AXIS	Z軸上連接板	L490XW65XH40	1.00	EA
23.00	NLA001011560A	LEFT COVER,Z AXIS	Z軸左護罩	L1040.5XW565XH1086	1.00	EA
24.00	NL 001011561A	WIPER,LEFT COVER	Z軸左護罩刮刷板	L860XW60XH757	1.00	EA
25.00	NL 001011551A	PLATE,Z AXIS	Z軸下連接板	L438XW97.6XH103	1.00	EA
26.00	NL 001011553A	RIGHT BRACKET,Z AXIS	Z軸右支架	L260XW33XH34	2.00	ST
27.00	NLA001011557A	LEFT BRACKET,Z AXIS	Z軸左支撐架	L350XW180XH104	1.00	EA
28.00	NL 001011502A	WATER GUIDING PLATE , Y AXIS	Y軸後導水板	L1550.1XW24.5XH20	1.00	EA
29.00	NL 000599070A	PLANE , COOLENT COLLECT	刀塔內側集水盤	L551.31XW100XH8	1.00	EA
30.00	NL 000599071A	LEFT PLANE , COOLENT COLLECT	左側導水板	L638XW126XH15	1.00	EA
31.00	NL 000599072A	RIGHT PLANE , COOLENT COLLECT	右側導水板	L620XW20XH7	1.00	EA



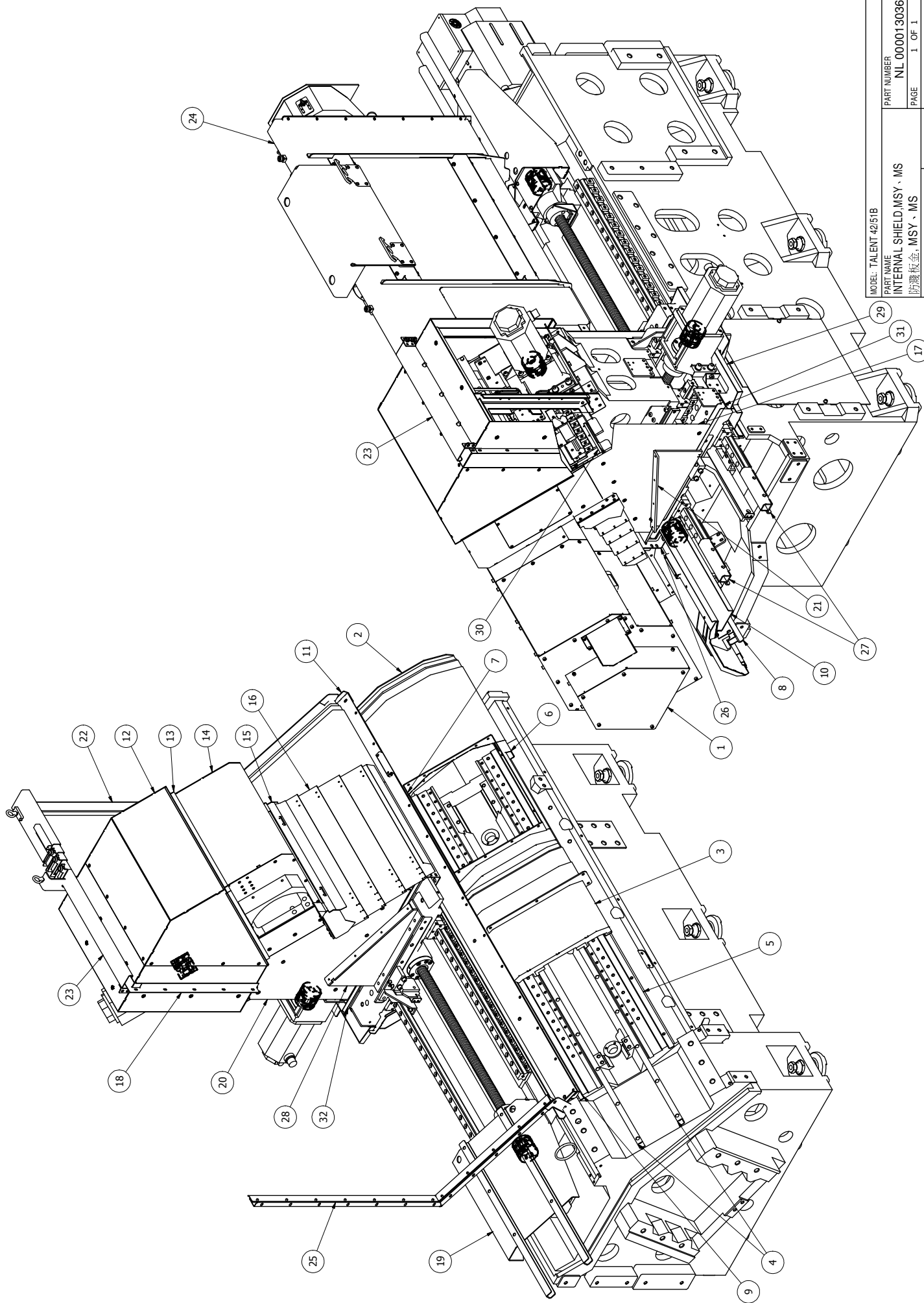
PRODUCT BOM MASTER AND SUB-ITEMS LIST

Master Item Part NO.: NL 000013043A
Description: INTERNAL SHIELD,W/O T
防濺板金,無尾座

Item Part NO.	Description	中文名稱	Specification	Qty	Unit
1.00	NL 001011571A WAYCOVER, X-AXIS	X軸護罩	L576XW156XH138.1	1.00	EA
2.00	NL 001011572A COVER,X AXIS	X軸護罩蓋板	L1550.1XW24.5XH20	1.00	EA
3.00	NL 001011573A CONNECT PLATE,Z AXIS	Z軸上連接板	L1550.1XW24.5XH20	1.00	EA
4.00	NL 001011574A CONNECT PLATE,Z AXIS	Z軸下連接板	L518XW103XH97.6	1.00	EA
5.00	NL 001011576A RIGHT SUPPORT BRACKET, Z AXIS	Z軸右支撐架	L1550.1XW24.5XH20	1.00	EA
6.00	NL 001011577A RIGHT COVER, Z AXIS	Z軸右遮屑板	L530.3XW504.7XH198	1.00	EA
7.01	NLA001011578A RIGHT WAYCOVER, Z AXIS	Z軸右護罩	L1111XW552.3XH302	1.00	EA
8.01	NLA001011557A LEFT BRACKET,Z AXIS	Z軸左支撐架	L350XW180XH104	1.00	EA
9.00	NL 001011579A EXTENSION GUIDEWAY, Z AXIS	Z軸左後延伸軌與支架	L1550.1XW24.5XH20	1.00	EA
10.00	NL 001011559A LEFT COVER,Z AXIS	Z軸左遮屑板	L484.8XW6XH519	1.00	EA
11.01	NLA001011580A LEFT WAYCOVER, Z AXIS	Z軸左護罩	L1069.5XW772XH508.8	1.00	EA
12.00	NL 001011561A WIPER,LEFT COVER	Z軸左護罩刮刷板	L860XW60XH757	1.00	EA
13.00	NL 001011581A FRONT WIPER, TURRET	刀塔前刮刷板	L556XW445XH20	1.00	EA
14.00	NL 001011582A REAR WIPER, TURRET	刀塔後刮刷板	L613XW491XH25	1.00	EA
15.01	NL 001011510A COVER,TURRET	VDI刀塔前護罩	L520XW512XH484.5	1.00	EA
16.00	NL 001011584A REAR COVER, TURRET	刀塔後護罩	L569XW556XH504.7	1.00	EA
17.00	NL 001011585A COVER, SEAT	底座遮屑板	L1550.1XW24.5XH20	1.00	EA
18.00	NL 001011502A WATER GUIDING PLATE , Y AXIS	Y軸後導水板	L1550.1XW24.5XH20	1.00	EA
19.00	NL 001011512A COVER	左側導水板	TEMP	1.00	EA

PRODUCT BOM MASTER AND SUB-ITEMS LIST

Item	Part NO.	Description	中文名稱	Specification	Qty	Unit
20.00	NL 001011513A	COVER	右側導水盤	TEMP	1.00	EA
21.00	NL 001011514A	COVER	刀塔內側集水盤	TEMP	1.00	EA



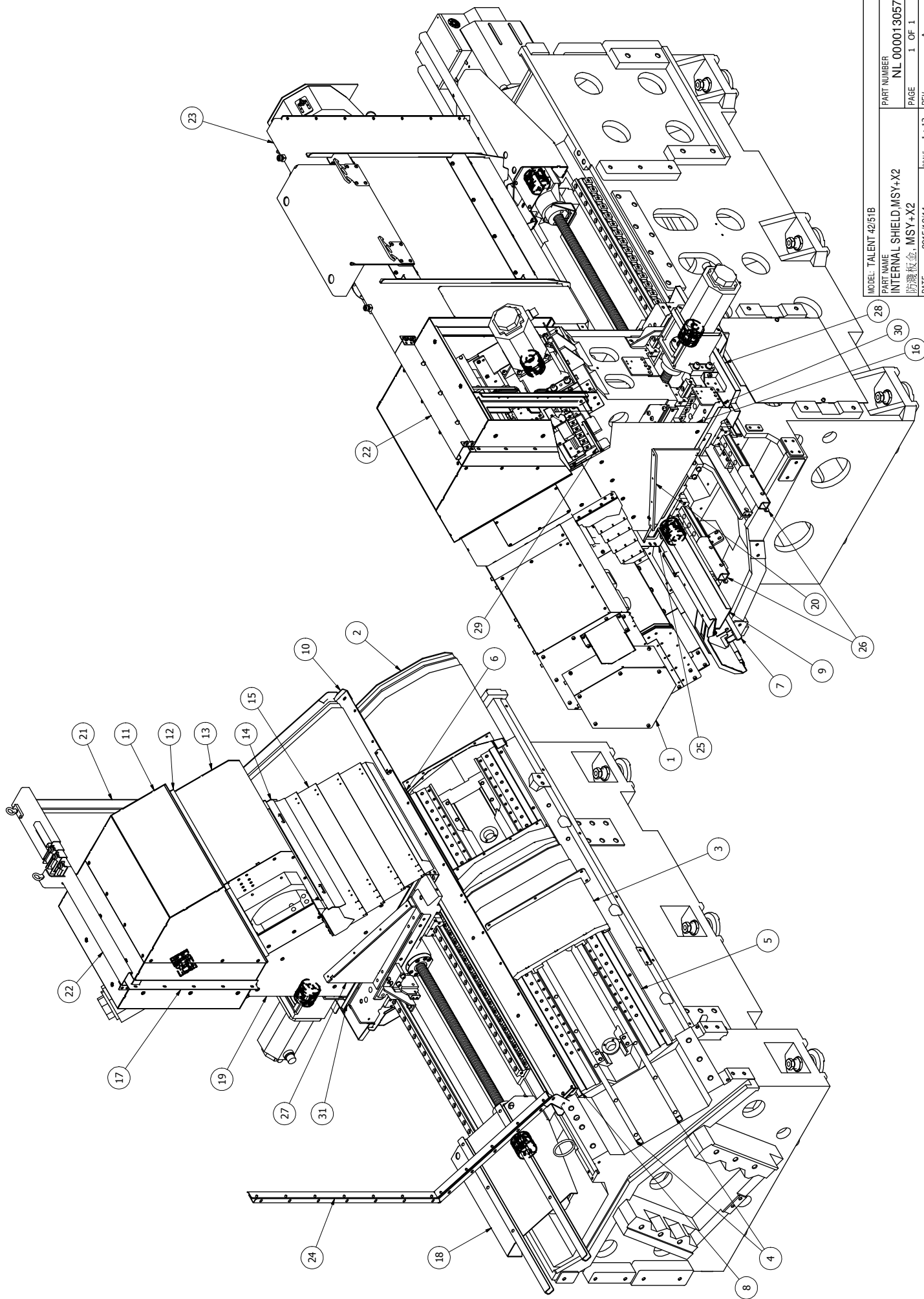
PRODUCT BOM MASTER AND SUB-ITEMS LIST

Master Item Part NO.: NL 000013036A
Description: INTERNAL SHIELD,MSY
防濺板金, MSY

Item Part NO.	Description	中文名稱	Specification	Qty	Unit
1.02	NLB001011567A COVER, SUB-SPINDLE	第二主軸護罩	[KEYARROW] HT05AX28	1.00	ST
2.00	NL 001011569A RIGHT COVER,E AXIS	E軸右護罩	L1193XW382.5XH102.5	1.00	EA
3.00	NL 001011543A LEFT COVER,E AXIS	E軸左護罩	[KEYARROW] HT05AX05	1.00	EA
4.00	NL 001011544A RAIL RIGHT COVER,E AXIS	E軸左護罩軌道	[KEYARROW] HT05AX06	2.00	ST
5.00	NL 001011570A PLATE,E AXIS	E軸下遮屑板	L1550.1XW24.5XH20	1.00	EA
6.00	NL 001011546A COVER,E AXIS	E軸前蓋板	[KEYARROW] HT05AX06	1.00	EA
7.00	NL 001011547A COVER,E AXIS	E軸後蓋板	L401.5XW14.4XH65.8	1.00	ST
8.00	NL 001011568A BRACKET,E AXIS	E軸右支架	L249XW33XH34	2.00	EA
9.00	NL 001011539A PLATE,E AXIS	E軸上遮屑板	L1550.1XW24.5XH14.5	1.00	EA
10.00	NL 001011552A PLATE,Z AXIS	Z軸下遮屑板	L1840.6XW76.6XH60.9	1.00	EA
11.00	NL 001011538A COVER,E AXIS	E軸上蓋板	L1840.6XW22XH81	1.00	EA
12.01	NLA001011565A COVER,TURRET	刀塔後護罩	L476XW565XH492.3	1.00	EA
13.00	NL 001011562A WIPER,TURRET	刀塔前刮刷板	L476XW20XH491	1.00	EA
14.01	NLA001011503A COVER,TURRET	刀塔前護罩(LIOSHIN)	L424XW472XH482.5	1.00	EA
15.00	NL 001011549A COVER,X AXIS	X軸護罩蓋板	L500XW87.5XH58.2	1.00	ST
16.00	NL 001011548A COVER,X AXIS	X軸護罩	L404XW496XH138.1	1.00	EA
17.00	NL 001011555A RIGHT PLATE,Z AXIS	Z軸右遮屑板	L484.7XW118XH519	1.00	EA
18.00	NL 001011563A WIPER,TURRET	刀塔後刮刷板	L533XW25XH518	1.00	EA
19.00	NL 001011558A LEFT BRACKET,Z AXIS	Z軸左後延伸軌與支架	L700XW295XH190.4	1.00	EA

PRODUCT BOM MASTER AND SUB-ITEMS LIST

Item	Part NO.	Description	中文名稱	Specification	Qty	Unit
20.00	NL 001011559A	LEFT COVER,Z AXIS	Z軸左遮屑板	L484.8XW6XH519	1.00	EA
21.00	NL 001011554A	RIGHT BRACKET,Z AXIS	Z軸右支撐架	L350XW180XH109	1.00	EA
22.00	NL 001011556A	RIGHT COVER,Z AXIS	Z軸右護罩	L1053XW516.8XH1075	1.00	EA
23.00	NL 001011550A	PLATE,Z AXIS	Z軸上連接板	L490XW65XH40	1.00	EA
24.01	NLA001011560A	LEFT COVER,Z AXIS	Z軸左護罩	L1040.5XW565XH1086	1.00	EA
25.00	NL 001011561A	WIPER,LEFT COVER	Z軸左護罩刮刷板	L860XW60XH757	1.00	EA
26.00	NL 001011551A	PLATE,Z AXIS	Z軸下連接板	L438XW97.6XH103	1.00	EA
27.00	NL 001011553A	RIGHT BRACKET,Z AXIS	Z軸右支架	L260XW33XH34	2.00	EA
28.01	NLA001011557A	LEFT BRACKET,Z AXIS	Z軸左支撐架	L350XW180XH104	1.00	EA
29.00	NL 001011502A	WATER GUIDING PLATE , Y AXIS	Y軸後導水板	L1550.1XW24.5XH20	1.00	EA
30.00	NL 000599070A	PLANE , COOLENT COLLECT	刀塔內側集水盤	L551.31XW100XH8	1.00	EA
31.00	NL 000599071A	LEFT PLANE , COOLENT COLLECT	左側導水板	L638XW126XH15	1.00	EA
32.00	NL 000599072A	RIGHT PLANE , COOLENT COLLECT	右側導水板	L620XW20XH7	1.00	EA
33.00	NL 001011516A	COVER, SUB-SPINDLE	油管蓋板D	TEMP	1.00	EA
34.00	NL 001011517A	BRACKET, SUB-SPINDLE	副主軸蓋板支架A	TEMP	1.00	EA
35.00	NL 001011518A	BRACKET, SUB-SPINDLE	副主軸蓋板支架B	TEMP	1.00	EA
36.00	NL 001011519A	PIPE CLAMPING, SUB-SPINDLE	管夾A	TEMP	1.00	EA
37.00	NL 001011520A	PIPE CLAMPING, SUB-SPINDLE	管夾B	TEMP	1.00	EA
38.00	NL 001011521A	PIPE CLAMPING, SUB-SPINDLE	管夾C	TEMP	1.00	EA
39.00	NL 001011522A	PIPE CLAMPING, SUB-SPINDLE	管夾D	TEMP	1.00	EA
40.00	NL 001011523A	PIPE CLAMPING, SUB-SPINDLE	管夾E	TEMP	1.00	EA



MODEL: TALENT-42/51B	PART NUMBER	NL 00001 3057A	
PART NAME	INTERNAL SHIELD,MSY+X2	PAGE	1 OF 1
防護板蓋, MSY+X2		SCALE	1:12
DATE	2015/12/14	REV.	A

PRODUCT BOM MASTER AND SUB-ITEMS LIST

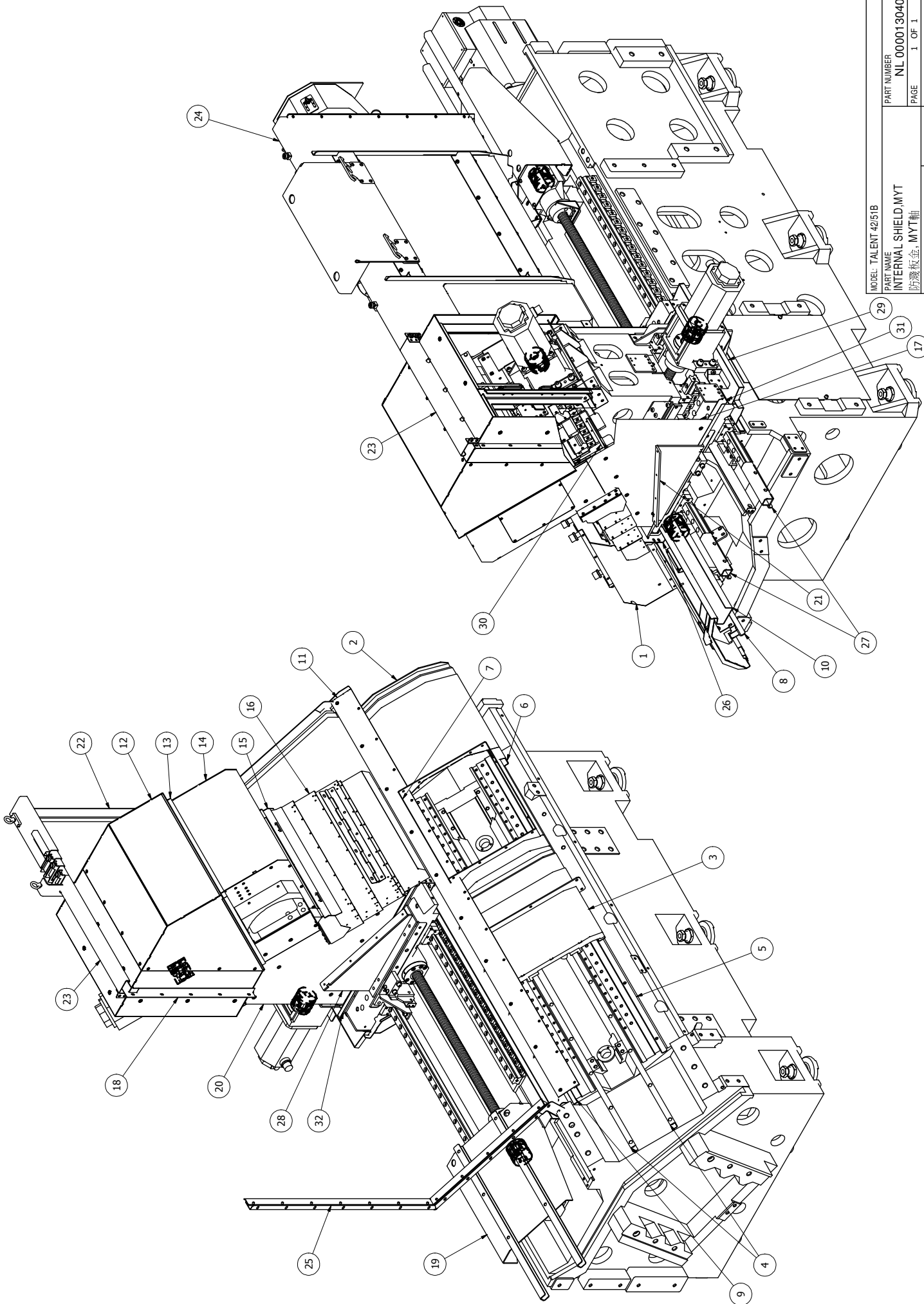
Master Item Part NO.: NL 000013057A

Description: INTERNAL SHIELD,MSY+X2
防濺板金, MSY軸+X2

Item Part NO.	Description	中文名稱	Specification	Qty	Unit
1.00	NL 001011508A COVER, X2 AXIS	X2護罩	S	1.00	EA
2.00	NL 001011569A RIGHT COVER,E AXIS	E軸右護罩	L1193XW382.5XH102.5	1.00	EA
3.00	NL 001011543A LEFT COVER,E AXIS	E軸左護罩	[KEYARROW] HT05AX05	1.00	EA
4.00	NL 001011544A RAIL RIGHT COVER,E AXIS	E軸左護罩軌道	[KEYARROW] HT05AX06	2.00	ST
5.00	NL 001011570A PLATE,E AXIS	E軸下遮屑板	L1550.1XW24.5XH20	1.00	EA
6.01	NL 001011509A COVER,E AXIS	E軸後蓋板(X2)	L472XW41.5XH32.7	1.00	EA
7.00	NL 001011568A BRACKET,E AXIS	E軸右支架	L249XW33XH34	2.00	ST
8.00	NL 001011539A PLATE,E AXIS	E軸上遮屑板	L1550.1XW24.5XH14.5	1.00	EA
9.00	NL 001011552A PLATE,Z AXIS	Z軸下遮屑板	L1840.6XW76.6XH60.9	1.00	EA
10.00	NL 001011538A COVER,E AXIS	E軸上蓋板	L1840.6XW22XH81	1.00	EA
11.00	NLA001011565A COVER,TURRET	刀塔後護罩	L476XW565XH492.3	1.00	EA
12.00	NL 001011562A WIPER,TURRET	刀塔前刮刷板	L476XW20XH491	1.00	EA
13.01	NLA001011503A COVER,TURRET	刀塔前護罩(LIOSHIN)	L424XW472XH482.5	1.00	EA
14.00	NL 001011549A COVER,X AXIS	X軸護罩蓋板	L500XW87.5XH58.2	1.00	EA
15.00	NL 001011548A COVER,X AXIS	X軸護罩	L404XW496XH138.1	1.00	EA
16.00	NL 001011555A RIGHT PLATE,Z AXIS	Z軸右遮屑板	L484.7XW118XH519	1.00	EA
17.00	NL 001011563A WIPER,TURRET	刀塔後刮刷板	L533XW25XH518	1.00	EA
18.00	NL 001011558A LEFT BRACKET,Z AXIS	Z軸左後延伸軌與支架	L700XW295XH190.4	1.00	EA
19.00	NL 001011559A LEFT COVER,Z AXIS	Z軸左遮屑板	L484.8XW6XH519	1.00	EA

PRODUCT BOM MASTER AND SUB-ITEMS LIST

Item	Part NO.	Description	中文名稱	Specification	Qty	Unit
20.00	NL 001011554A	RIGHT BRACKET,Z AXIS	Z軸右支撐架	L350XW180XH109	1.00	EA
21.00	NL 001011556A	RIGHT COVER,Z AXIS	Z軸右護罩	L1053XW516.8XH1075	1.00	EA
22.00	NL 001011550A	PLATE,Z AXIS	Z軸上連接板	L490XW65XH40	1.00	EA
23.00	NLA001011560A	LEFT COVER,Z AXIS	Z軸左護罩	L1040.5XW565XH1086	1.00	EA
24.00	NL 001011561A	WIPER,LEFT COVER	Z軸左護罩刮刷板	L860XW60XH757	1.00	EA
25.00	NL 001011551A	PLATE,Z AXIS	Z軸下連接板	L438XW97.6XH103	1.00	EA
26.00	NL 001011553A	RIGHT BRACKET,Z AXIS	Z軸右支架	L260XW33XH34	2.00	ST
27.00	NLA001011557A	LEFT BRACKET,Z AXIS	Z軸左支撐架	L350XW180XH104	1.00	EA
28.00	NL 001011502A	WATER GUIDING PLATE , Y AXIS	Y軸後導水板	L1550.1XW24.5XH20	1.00	EA
29.00	NL 000599070A	PLANE , COOLENT COLLECT	刀塔內側集水盤	L551.31XW100XH8	1.00	EA
30.00	NL 000599071A	LEFT PLANE , COOLENT COLLECT	左側導水板	L638XW126XH15	1.00	EA
31.00	NL 000599072A	RIGHT PLANE , COOLENT COLLECT	右側導水板	L620XW20XH7	1.00	EA



PRODUCT BOM MASTER AND SUB-ITEMS LIST

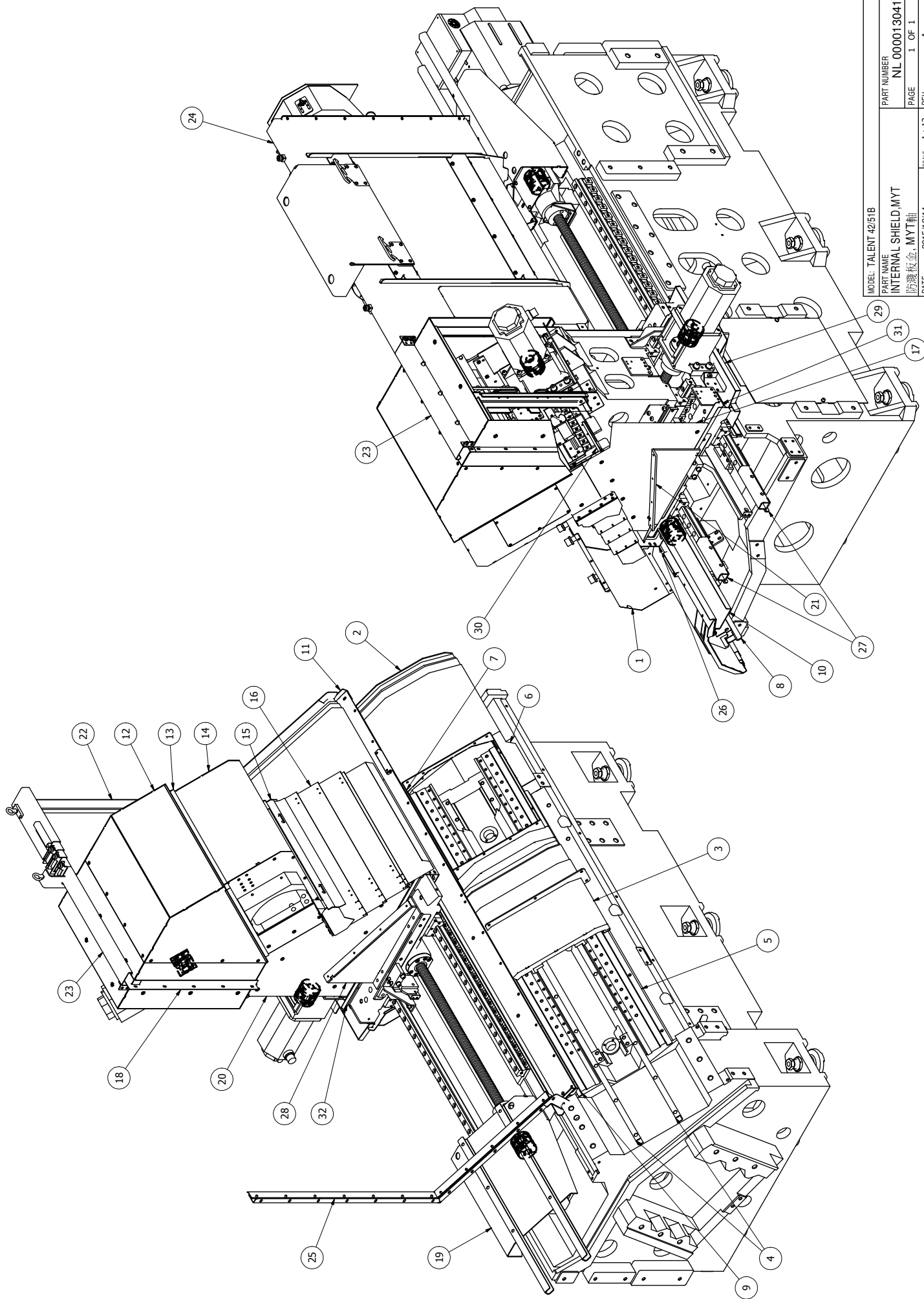
Master Item Part NO.: NL 000013040A

Description: INTERNAL SHIELD,MYT
防濺板金, MYT

Item Part NO.	Description	中文名稱	Specification	Qty	Unit
1.00	NL 001011504A COVER, TAILSTOCK	尾座護罩	S	1.00	EA
2.00	NL 001011569A RIGHT COVER,E AXIS	E軸右護罩	L1193XW382.5XH102.5	1.00	EA
3.00	NL 001011543A LEFT COVER,E AXIS	E軸左護罩	[KEYARROW] HT05AX05	1.00	EA
4.00	NL 001011544A RAIL RIGHT COVER,E AXIS	E軸左護罩軌道	[KEYARROW] HT05AX06	2.00	ST
5.00	NL 001011570A PLATE,E AXIS	E軸下遮屑板	L1550.1XW24.5XH20	1.00	EA
6.00	NL 001011546A COVER,E AXIS	E軸前蓋板	[KEYARROW] HT05AX06	1.00	EA
7.00	NL 001011547A COVER,E AXIS	E軸後蓋板	L401.5XW14.4XH65.8	1.00	EA
8.00	NL 001011568A BRACKET,E AXIS	E軸右支架	L249XW33XH34	2.00	ST
9.00	NL 001011539A PLATE,E AXIS	E軸上遮屑板	L1550.1XW24.5XH14.5	1.00	EA
10.00	NL 001011552A PLATE,Z AXIS	Z軸下遮屑板	L1840.6XW76.6XH60.9	1.00	EA
11.00	NL 001011538A COVER,E AXIS	E軸上蓋板	L1840.6XW22XH81	1.00	EA
12.01	NLA001011565A COVER,TURRET	刀塔後護罩	L476XW565XH492.3	1.00	EA
13.00	NL 001011562A WIPER,TURRET	刀塔前刮刷板	L476XW20XH491	1.00	EA
14.01	NLA001011503A COVER,TURRET	刀塔前護罩(LIOSHIN)	L424XW472XH482.5	1.00	EA
15.00	NL 001011549A COVER,X AXIS	X軸護罩蓋板	L500XW87.5XH58.2	1.00	EA
16.00	NL 001011548A COVER,X AXIS	X軸護罩	L404XW496XH138.1	1.00	EA
17.00	NL 001011555A RIGHT PLATE,Z AXIS	Z軸右遮屑板	L484.7XW118XH519	1.00	EA
18.00	NL 001011563A WIPER,TURRET	刀塔後刮刷板	L533XW25XH518	1.00	EA
19.00	NL 001011558A LEFT BRACKET,Z AXIS	Z軸左後延伸軌與支架	L700XW295XH190.4	1.00	EA

PRODUCT BOM MASTER AND SUB-ITEMS LIST

Item	Part NO.	Description	中文名稱	Specification	Qty	Unit
20.00	NL 001011559A	LEFT COVER,Z AXIS	Z軸左遮屑板	L484.8XW6XH519	1.00	EA
21.00	NL 001011554A	RIGHT BRACKET,Z AXIS	Z軸右支撐架	L350XW180XH109	1.00	EA
22.00	NL 001011556A	RIGHT COVER,Z AXIS	Z軸右護罩	L1053XW516.8XH1075	1.00	EA
23.00	NL 001011550A	PLATE,Z AXIS	Z軸上連接板	L490XW65XH40	1.00	EA
24.00	NLA001011560A	LEFT COVER,Z AXIS	Z軸左護罩	L1040.5XW565XH1086	1.00	EA
25.00	NL 001011561A	WIPER,LEFT COVER	Z軸左護罩刮刷板	L860XW60XH757	1.00	EA
26.00	NL 001011551A	PLATE,Z AXIS	Z軸下連接板	L438XW97.6XH103	1.00	EA
27.00	NL 001011553A	RIGHT BRACKET,Z AXIS	Z軸右支架	L260XW33XH34	2.00	ST
28.00	NLA001011557A	LEFT BRACKET,Z AXIS	Z軸左支撐架	L350XW180XH104	1.00	EA
29.00	NL 001011502A	WATER GUIDING PLATE , Y AXIS	Y軸後導水板	L1550.1XW24.5XH20	1.00	EA
30.00	NL 000599070A	PLANE , COOLENT COLLECT	刀塔內側集水盤	L551.31XW100XH8	1.00	EA
31.00	NL 000599071A	LEFT PLANE , COOLENT COLLECT	左側導水板	L638XW126XH15	1.00	EA
32.00	NL 000599072A	RIGHT PLANE , COOLENT COLLECT	右側導水板	L620XW20XH7	1.00	EA



PRODUCT BOM MASTER AND SUB-ITEMS LIST

Master Item Part NO.: NL 000013041A

Description: INTERNAL SHIELD,T
防濺板金, T

Item Part NO.	Description	中文名稱	Specification	Qty	Unit
1.00	NL 001011504A COVER, TAILSTOCK	尾座護罩	S	1.00	EA
2.00	NL 001011569A RIGHT COVER,E AXIS	E軸右護罩	L1193XW382.5XH102.5	1.00	EA
3.00	NL 001011543A LEFT COVER,E AXIS	E軸左護罩	[KEYARROW] HT05AX05	1.00	EA
4.00	NL 001011544A RAIL RIGHT COVER,E AXIS	E軸左護罩軌道	[KEYARROW] HT05AX06	2.00	ST
5.00	NL 001011570A PLATE,E AXIS	E軸下遮屑板	L1550.1XW24.5XH20	1.00	EA
6.00	NL 001011505A COVER, TAILSTOCK	E軸前蓋板(尾座用)	S	1.00	EA
7.00	NL 001011547A COVER,E AXIS	E軸後蓋板	L401.5XW14.4XH65.8	1.00	EA
8.00	NL 001011568A BRACKET,E AXIS	E軸右支架	L249XW33XH34	2.00	ST
9.00	NL 001011539A PLATE,E AXIS	E軸上遮屑板	L1550.1XW24.5XH14.5	1.00	EA
10.00	NL 001011552A PLATE,Z AXIS	Z軸下遮屑板	L1840.6XW76.6XH60.9	1.00	EA
11.00	NL 001011538A COVER,E AXIS	E軸上蓋板	L1840.6XW22XH81	1.00	EA
12.01	NLA001011565A COVER,TURRET	刀塔後護罩	L476XW565XH492.3	1.00	EA
13.00	NL 001011562A WIPER,TURRET	刀塔前刮刷板	L476XW20XH491	1.00	EA
14.01	NLA001011503A COVER,TURRET	刀塔前護罩(LIOSHIN)	L424XW472XH482.5	1.00	EA
15.00	NL 001011549A COVER,X AXIS	X軸護罩蓋板	L500XW87.5XH58.2	1.00	EA
16.00	NL 001011548A COVER,X AXIS	X軸護罩	L404XW496XH138.1	1.00	EA
17.00	NL 001011555A RIGHT PLATE,Z AXIS	Z軸右遮屑板	L484.7XW118XH519	1.00	EA
18.00	NL 001011563A WIPER,TURRET	刀塔後刮刷板	L533XW25XH518	1.00	EA
19.00	NL 001011558A LEFT BRACKET,Z AXIS	Z軸左後延伸軌與支架	L700XW295XH190.4	1.00	EA

PRODUCT BOM MASTER AND SUB-ITEMS LIST

Item	Part NO.	Description	中文名稱	Specification	Qty	Unit
20.00	NL 001011559A	LEFT COVER,Z AXIS	Z軸左遮屑板	L484.8XW6XH519	1.00	EA
21.00	NL 001011554A	RIGHT BRACKET,Z AXIS	Z軸右支撐架	L350XW180XH109	1.00	EA
22.00	NL 001011556A	RIGHT COVER,Z AXIS	Z軸右護罩	L1053XW516.8XH1075	1.00	EA
23.00	NL 001011550A	PLATE,Z AXIS	Z軸上連接板	L490XW65XH40	1.00	EA
24.00	NLA001011560A	LEFT COVER,Z AXIS	Z軸左護罩	L1040.5XW565XH1086	1.00	EA
25.00	NL 001011561A	WIPER,LEFT COVER	Z軸左護罩刮刷板	L860XW60XH757	1.00	EA
26.00	NL 001011551A	PLATE,Z AXIS	Z軸下連接板	L438XW97.6XH103	1.00	EA
27.00	NL 001011553A	RIGHT BRACKET,Z AXIS	Z軸右支架	L260XW33XH34	2.00	ST
28.00	NLA001011557A	LEFT BRACKET,Z AXIS	Z軸左支撐架	L350XW180XH104	1.00	EA
29.00	NL 001011502A	WATER GUIDING PLATE , Y AXIS	Y軸後導水板	L1550.1XW24.5XH20	1.00	EA
30.00	NL 000599070A	PLANE , COOLENT COLLECT	刀塔內側集水盤	L551.31XW100XH8	1.00	EA
31.00	NL 000599071A	LEFT PLANE , COOLENT COLLECT	左側導水板	L638XW126XH15	1.00	EA
32.00	NL 000599072A	RIGHT PLANE , COOLENT COLLECT	右側導水板	L620XW20XH7	1.00	EA

PRODUCT BOM MASTER AND SUB-ITEMS LIST

Master Item Part NO.: NL 000013025A

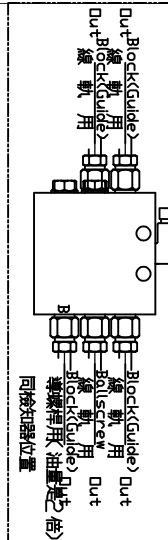
Description: LUBRICATION BY FOCUS
MY軸(手動集中潤滑系統)

Item Part NO.	Description	中文名稱	Specification	Qty	Unit
2.00	MS 0103818	六角穴圓頭螺絲	M8XP1.25XL20	3.00	EA
3.01	BL 00070070623	超高壓尼龍油管	R200-02,M10XP1.0XL1.35MX2SIDE	1.00	EA
4.00	NV 00077031801	直角接頭(銅)	PT1/8"XM10(論興:GB00006M01T)	1.00	EA
5.00	NV 00069660401	套管	Φ6	1.00	EA
6.00	NV 00077031102	套管帽	M10XΦ6.1	1.00	EA
7.00	NV 00077031215	卜申接頭(銅)	PT1/4"MXPT1/8"F	1.00	EA
8.00	NV 00077031201	卜申接頭(卜申+套管+套管帽)	PT1/8XM10XP1	1.00	EA
9.00	NV 00077031215	卜申接頭(銅)	PT1/4"MXPT1/8"F	1.00	EA
10.00	NV 00069660401	套管	Φ6	1.00	EA
11.00	NV 00077031102	套管帽	M10XΦ6.1	1.00	EA
12.01	NL 00070070603	超高壓尼龍油管(外部加彈簧)	R200-02,M10XP1.0XL1.2MX2端+A	1.00	EA
13.00	MS 0103522	六角穴圓頭螺絲	M5XP0.8XL40	1.00	EA
14.00	NV 00002340111	CV-6單一循環分配器	CV-6 入D6-出D6,3 HOLE,直接頭	1.00	EA
15.00	NV 00077030244	直接頭	PT1/8"XM8銅 - 管Φ4	3.00	EA
16.00	NV 00069660402	單面套管	Φ4銅	3.00	EA
17.00	NV 00077031114	單面套管帽	M8XΦ4.1	3.00	EA
18.00	FG 0007007HS03	超高壓尼龍油管	R200-02,M10XP1.0XL0.4MX2SIDE	1.00	EA
19.00	NV 00070070609	超高壓尼龍油管	R200-02,M10XP1.0XL0.6MX2SIDE	1.00	EA
20.01	NV 00070070612	超高壓尼龍油管	R200-02,M10XP1.0XL1.0MX2端	1.00	EA

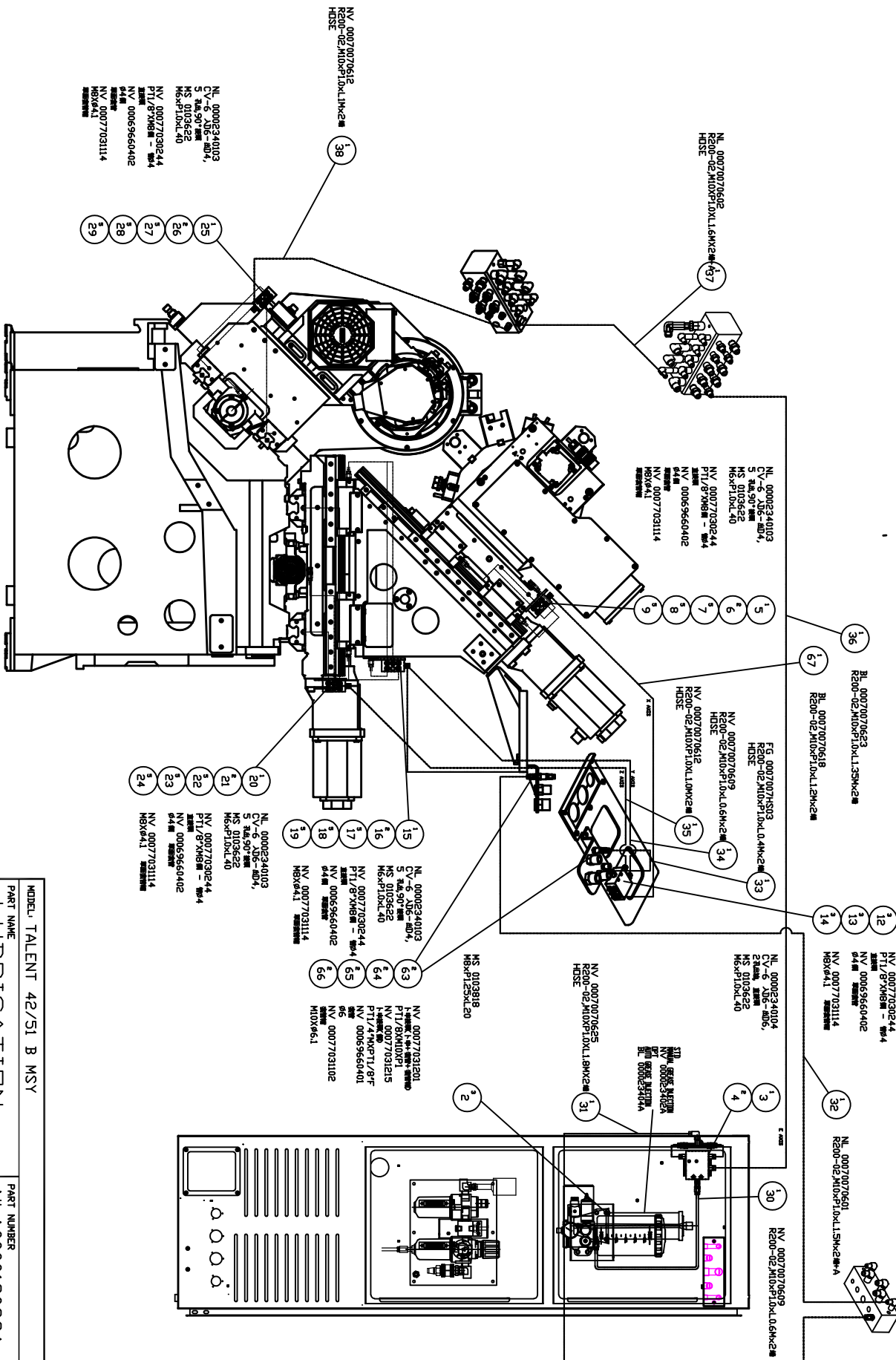
PRODUCT BOM MASTER AND SUB-ITEMS LIST

Item	Part NO.	Description	中文名稱	Specification	Qty	Unit
21.00	NV 00077031201	BUSHING, BRASS	卜申接頭(卜申+套管+套管帽)	PT1/8XM10XP1	2.00	EA
22.00	NV 00077031215	BUSHING	卜申接頭(銅)	PT1/4"MXPT1/8"F	2.00	EA
23.00	NV 00069660401	THIMBLE, BRASS	套管	Φ6	2.00	EA
24.00	NV 00077031102	THIMBLE NUT, BRASS	套管帽	M10XΦ6.1	2.00	EA
25.00	NL 00002340103	CV-61 DISTRIBUTOR	CV-61單一循環分配器(入-90°接頭)	CV-61(IN-D6,OUT-D4,5 HOLE)	1.00	EA
26.00	MS 0103622	SOCKET HEAD CAP SCREW	六角穴圓頭螺絲	M6XP1.0XL40	2.00	EA
27.00	NV 00077030244	NIPPLE, STRAIGHT	直接頭	PT1/8"XM8銅 - 管Φ4	5.00	EA
28.00	NV 00069660402	THIMBLE NUT, BRASS	單面套管	Φ4銅	5.00	EA
29.00	NV 00077031114	THIMBLE NUT, BRASS	單面套管帽	M8XΦ4.1	5.00	EA
30.00	NL 00002340103	CV-61 DISTRIBUTOR	CV-61單一循環分配器(入-90°接頭)	CV-61(IN-D6,OUT-D4,5 HOLE)	1.00	EA
31.00	MS 0103622	SOCKET HEAD CAP SCREW	六角穴圓頭螺絲	M6XP1.0XL40	2.00	EA
32.00	NV 00077030244	NIPPLE, STRAIGHT	直接頭	PT1/8"XM8銅 - 管Φ4	5.00	EA
33.00	NV 00069660402	THIMBLE NUT, BRASS	單面套管	Φ4銅	5.00	EA
34.00	NV 00077031114	THIMBLE NUT, BRASS	單面套管帽	M8XΦ4.1	5.00	EA
35.00	BL 00070070618	NYLON TUBING, HIGH PRESSURE	超高壓尼龍油管	R200-02,M10XP1.0XL1.2MX2端	1.00	EA
36.00	NL 00002340103	CV-61 DISTRIBUTOR	CV-61單一循環分配器(入-90°接頭)	CV-61(IN-D6,OUT-D4,5 HOLE)	1.00	EA
37.00	MS 0103622	SOCKET HEAD CAP SCREW	六角穴圓頭螺絲	M6XP1.0XL40	2.00	EA
38.00	NV 00077030244	NIPPLE, STRAIGHT	直接頭	PT1/8"XM8銅 - 管Φ4	5.00	EA
39.00	NV 00069660402	THIMBLE NUT, BRASS	單面套管	Φ4銅	5.00	EA
40.00	NV 00077031114	THIMBLE NUT, BRASS	單面套管帽	M8XΦ4.1	5.00	EA

GREASE DISTRIBUTOR
X, Y, Z, E 軸運動潤滑油分配器的分配管線配置圖



REV	DESCRIPTION	DATE	ENR
A	新增	2017/06/23	1004385
B	新增機殼	2019/11/19	133833



- NL 00062340103
- CV-6 YJ6-AD4
- S 34A50 齒
- MS 0103622
- MS 0103622
- MS 0103622
- NV 00077030244
- PT1/8"X88mm - 齒4
- NV 00069660402
- 944 齒
- NV 00077031114
- MS 0103622

- NL 0007070652
- R200-02 M10XPT10xL16Hx2mm
- HOSE

- NL 00062340103
- CV-6 YJ6-AD4
- S 34A50 齒
- MS 0103622
- MS 0103622
- MS 0103622
- NV 00077030244
- PT1/8"X88mm - 齒4
- NV 00069660402
- 944 齒
- NV 00077031114
- MS 0103622

- NL 00062340103
- CV-6 YJ6-AD4
- S 34A50 齒
- MS 0103622
- MS 0103622
- MS 0103622
- NV 00077030244
- PT1/8"X88mm - 齒4
- NV 00069660402
- 944 齒
- NV 00077031114
- MS 0103622

- NL 00062340103
- CV-6 YJ6-AD4
- S 34A50 齒
- MS 0103622
- MS 0103622
- MS 0103622
- NV 00077030244
- PT1/8"X88mm - 齒4
- NV 00069660402
- 944 齒
- NV 00077031114
- MS 0103622

- NL 00062340103
- CV-6 YJ6-AD4
- S 34A50 齒
- MS 0103622
- MS 0103622
- MS 0103622
- NV 00077030244
- PT1/8"X88mm - 齒4
- NV 00069660402
- 944 齒
- NV 00077031114
- MS 0103622

- NV 00077031201
- 1-1/8"X1/4"X1.5"X1.5" 齒輪
- PT1/8"X100PT1
- NV 00077031215
- NV 00077031215
- PT1/4"XKEPT1/8"
- NV 00069660401
- 944 齒
- NV 00077031102
- MS 0103622
- M10X9641

- NL 00062340104
- CV-6 YJ6-AD6
- S 34A50 齒
- MS 0103622
- MS 0103622
- MS 0103622
- NV 00077030255
- R200-02 M10XPT10xL18Hx2mm
- HOSE

- MS 0103522
- MS 0103622
- NV 00062340111
- CV-6 YJ6-AD16
- S 34A50 齒
- NV 00077030244
- PT1/8"X88mm - 齒4
- NV 00069660402
- 944 齒
- NV 00077031114
- MS 0103622

- NL 00077070501
- R200-02 M10XPT10xL15Hx2mm-A
- MS 0103622

MODEL TALENT 42/51 B MSY	PART NUMBER
LUBRICATION	NL A000013023A
MSY 潤滑系統	PAGE 1 OF 1
SCALE 1:16	REV. B
DATE 2015/12/31	

PRODUCT BOM MASTER AND SUB-ITEMS LIST

Master Item Part NO.: NLA000013023A

Description: LUBRICATION BY FOCUS
MSY軸(手動集中潤滑系統)

Item Part NO.	Description	中文名稱	Specification	Qty	Unit
2.00 MS 0103818	SOCKET HEAD CAP SCREW	六角穴圓頭螺絲	M8XP1.25XL20	3.00	EA
3.01 NL 00002340104	CV-8 DISTRIBUTOR	CV-8單一循環分配器	CV-8 入D6-出D6,3 HOLE,直接頭+三通	1.00	EA
4.00 MS 0103622	SOCKET HEAD CAP SCREW	六角穴圓頭螺絲	M6XP1.0XL40	2.00	EA
5.00 NL 00002340103	CV-61 DISTRIBUTOR	CV-61單一循環分配器(入-90°接頭)	CV-61(IN-D6,OUT-D4,5 HOLE)	1.00	EA
6.00 MS 0103622	SOCKET HEAD CAP SCREW	六角穴圓頭螺絲	M6XP1.0XL40	2.00	EA
7.00 NV 00077030244	NIPPLE, STRAIGHT	直接頭	PT1/8"XM8銅 - 管Φ4	5.00	EA
8.00 NV 00069660402	THIMBLE NUT, BRASS	單面套管	Φ4銅	5.00	EA
9.00 NV 00077031114	THIMBLE NUT, BRASS	單面套管帽	M8XΦ4.1	5.00	EA
10.00 MS 0103622	SOCKET HEAD CAP SCREW	六角穴圓頭螺絲	M6XP1.0XL40	2.00	EA
11.00 NV 00002340111	CV-6 DISTRIBUTOR	CV-6單一循環分配器	CV-6 入D6-出D6,3 HOLE,直接頭	1.00	EA
12.00 NV 00077030244	NIPPLE, STRAIGHT	直接頭	PT1/8"XM8銅 - 管Φ4	3.00	EA
13.00 NV 00069660402	THIMBLE NUT, BRASS	單面套管	Φ4銅	3.00	EA
14.00 NV 00077031114	THIMBLE NUT, BRASS	單面套管帽	M8XΦ4.1	3.00	EA
15.00 NL 00002340103	CV-61 DISTRIBUTOR	CV-61單一循環分配器(入-90°接頭)	CV-61(IN-D6,OUT-D4,5 HOLE)	1.00	EA
16.00 MS 0103622	SOCKET HEAD CAP SCREW	六角穴圓頭螺絲	M6XP1.0XL40	2.00	EA
17.00 NV 00077030244	NIPPLE, STRAIGHT	直接頭	PT1/8"XM8銅 - 管Φ4	5.00	EA
18.00 NV 00069660402	THIMBLE NUT, BRASS	單面套管	Φ4銅	5.00	EA
19.00 NV 00077031114	THIMBLE NUT, BRASS	單面套管帽	M8XΦ4.1	5.00	EA
20.00 NL 00002340103	CV-61 DISTRIBUTOR	CV-61單一循環分配器(入-90°接頭)	CV-61(IN-D6,OUT-D4,5 HOLE)	1.00	EA

PRODUCT BOM MASTER AND SUB-ITEMS LIST

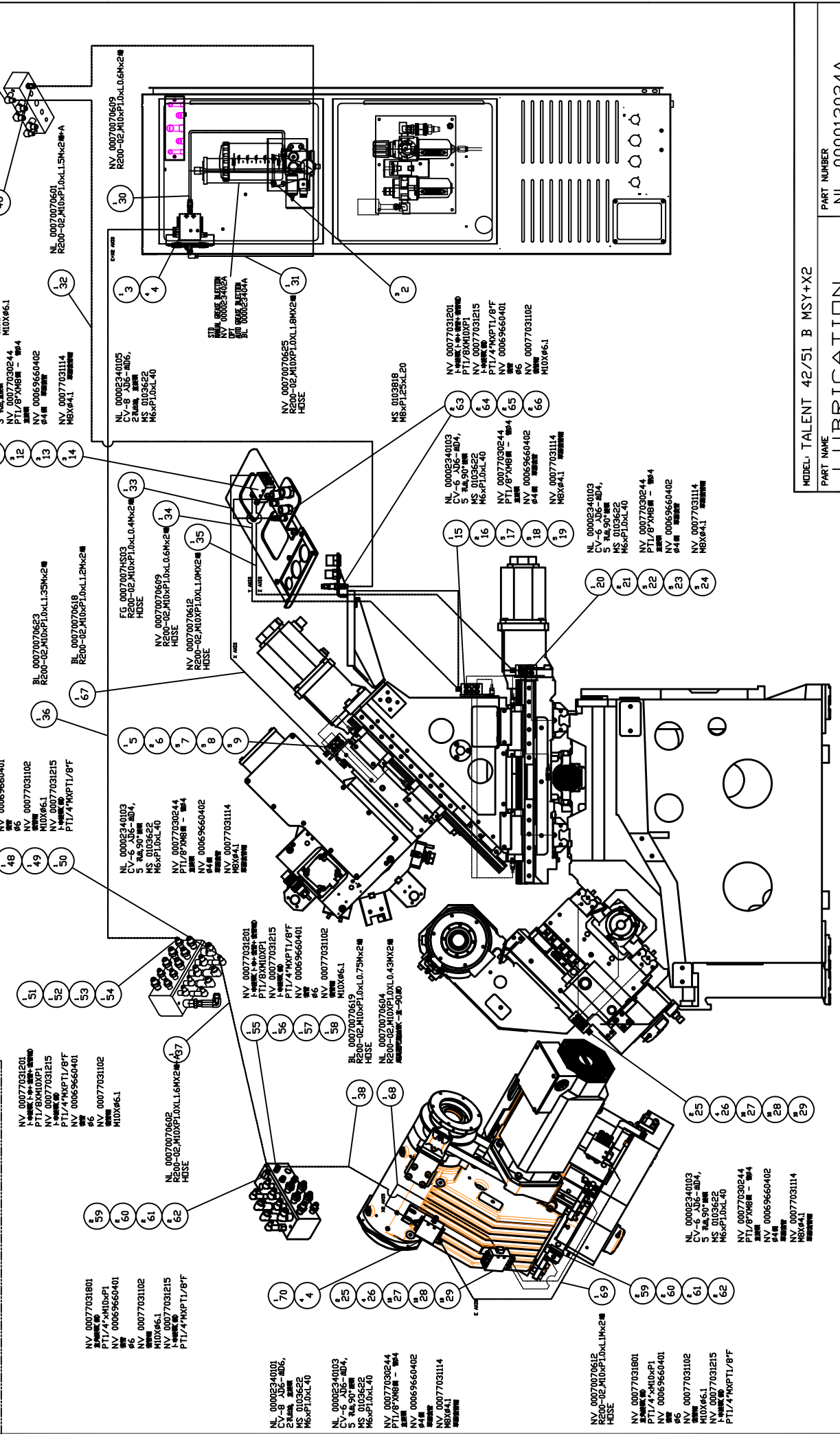
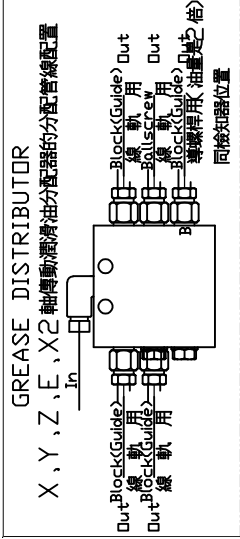
Item	Part NO.	Description	中文名稱	Specification	Qty	Unit
21.00	MS 0103622	SOCKET HEAD CAP SCREW	六角六圓頭螺絲	M6XP1.0XL40	2.00	EA
22.00	NV 00077030244	NIPPLE, STRAIGHT	直接頭	PT 1/8"XM8銅 - 管Φ4	5.00	EA
23.00	NV 00069660402	THIMBLE NUT, BRASS	單面套管	Φ4銅	5.00	EA
24.00	NV 00077031114	THIMBLE NUT, BRASS	單面套管帽	M8XΦ4.1	5.00	EA
25.00	NL 00002340103	CV-61 DISTRIBUTOR	CV-61單一循環分配器(入-90°接頭)	CV-61(IN-D6,OUT-D4,5 HOLE)	1.00	EA
26.00	MS 0103622	SOCKET HEAD CAP SCREW	六角六圓頭螺絲	M6XP1.0XL40	2.00	EA
27.00	NV 00077030244	NIPPLE, STRAIGHT	直接頭	PT 1/8"XM8銅 - 管Φ4	5.00	EA
28.00	NV 00069660402	THIMBLE NUT, BRASS	單面套管	Φ4銅	5.00	EA
29.00	NV 00077031114	THIMBLE NUT, BRASS	單面套管帽	M8XΦ4.1	5.00	EA
30.00	NV 00070070609	NYLON TUBING, HIGH PRESSURE	超高壓尼龍油管	R200-02,M10XP1.0XL0.6MX2SIDE	1.00	EA
31.01	NV 00070070625	NYLON TUBING, HIGH PRESSURE	超高壓尼龍油管	R200-02,M10XP1.0XL1.8MX2端	1.00	EA
32.00	NL 00070070601	NYLON TUBING, HIGH PRESSURE	超高壓尼龍油管(外部加彈簧)	R200-02,M10XP1.0XL1.5MX2端+A	1.00	EA
33.00	FG 0007007HS03	NYLON TUBING, HIGH PRESSURE	超高壓尼龍油管	R200-02,M10XP1.0XL0.4MX2SIDE	1.00	EA
34.00	NV 00070070609	NYLON TUBING, HIGH PRESSURE	超高壓尼龍油管	R200-02,M10XP1.0XL0.6MX2SIDE	1.00	EA
35.01	NV 00070070612	NYLON TUBING, HIGH PRESSURE	超高壓尼龍油管	R200-02,M10XP1.0XL1.0MX2端	1.00	EA
36.00	BL 00070070623	NYLON TUBING, HIGH PRESSURE	超高壓尼龍油管	R200-02,M10XP1.0XL1.35MX2SIDE	1.00	EA
37.00	NL 00070070602	NYLON TUBING, HIGH PRESSURE	超高壓尼龍油管(外部加彈簧)	R200-02,M10XP1.0XL1.6MX2端+A	1.00	EA
38.00	NV 00070070612	NYLON TUBING, HIGH PRESSURE	超高壓尼龍油管	R200-02,M10XP1.0XL1.0MX2端	1.00	EA
39.00	NV 00077031801	ELBOW, BRASS 90DEG MALE&FEMALE	直角接頭(銅)	PT 1/8"XM10(論興:GB0006M01T)	1.00	EA
40.00	NV 00069660401	THIMBLE, BRASS	套管	Φ6	1.00	EA
41.00	NV 00077031102	THIMBLE NUT, BRASS	套管帽	M10XΦ6.1	1.00	EA
42.00	NV 00077031215	BUSHING	卜申接頭(銅)	PT 1/4"MXPT1/8"F	1.00	EA

PRODUCT BOM MASTER AND SUB-ITEMS LIST

Item	Part NO.	Description	中文名稱	Specification	Qty	Unit
43.00	NV 00077031201	BUSHING, BRASS	卜申接頭(卜申+套管+套管帽)	PT1/8XM10XP1	1.00	EA
44.00	NV 00077031215	BUSHING	卜申接頭(銅)	PT1/4"MXPT1/8"F	1.00	EA
45.00	NV 00069660401	THIMBLE, BRASS	套管	Φ6	1.00	EA
46.00	NV 00077031102	THIMBLE NUT, BRASS	套管帽	M10XΦ6.1	1.00	EA
47.00	NV 00077031801	ELBOW, BRASS 90DEG MALE&FEMALE	直角接頭(銅)	PT1/8"XM10(論興:GB00006M01T)	1.00	EA
48.00	NV 00069660401	THIMBLE, BRASS	套管	Φ6	1.00	EA
49.00	NV 00077031102	THIMBLE NUT, BRASS	套管帽	M10XΦ6.1	1.00	EA
50.00	NV 00077031215	BUSHING	卜申接頭(銅)	PT1/4"MXPT1/8"F	1.00	EA
51.00	NV 00077031201	BUSHING, BRASS	卜申接頭(卜申+套管+套管帽)	PT1/8XM10XP1	1.00	EA
52.00	NV 00077031215	BUSHING	卜申接頭(銅)	PT1/4"MXPT1/8"F	1.00	EA
53.00	NV 00069660401	THIMBLE, BRASS	套管	Φ6	1.00	EA
54.00	NV 00077031102	THIMBLE NUT, BRASS	套管帽	M10XΦ6.1	1.00	EA
55.00	NV 00077031201	BUSHING, BRASS	卜申接頭(卜申+套管+套管帽)	PT1/8XM10XP1	1.00	EA
56.00	NV 00077031215	BUSHING	卜申接頭(銅)	PT1/4"MXPT1/8"F	1.00	EA
57.00	NV 00069660401	THIMBLE, BRASS	套管	Φ6	1.00	EA
58.00	NV 00077031102	THIMBLE NUT, BRASS	套管帽	M10XΦ6.1	1.00	EA
59.00	NV 00077031801	ELBOW, BRASS 90DEG MALE&FEMALE	直角接頭(銅)	PT1/8"XM10(論興:GB00006M01T)	1.00	EA
60.00	NV 00069660401	THIMBLE, BRASS	套管	Φ6	1.00	EA
61.00	NV 00077031102	THIMBLE NUT, BRASS	套管帽	M10XΦ6.1	1.00	EA
62.00	NV 00077031215	BUSHING	卜申接頭(銅)	PT1/4"MXPT1/8"F	1.00	EA
63.00	NV 00077031201	BUSHING, BRASS	卜申接頭(卜申+套管+套管帽)	PT1/8XM10XP1	2.00	EA
64.00	NV 00077031215	BUSHING	卜申接頭(銅)	PT1/4"MXPT1/8"F	2.00	EA

PRODUCT BOM MASTER AND SUB-ITEMS LIST

Item	Part NO.	Description	中文名稱	Specification	Qty	Unit
65.00	NV 00069660401	THIMBLE, BRASS	套管	Φ6	2.00	EA
66.00	NV 00077031102	THIMBLE NUT, BRASS	套管帽	M10XΦ6.1	2.00	EA
67.00	BL 00070070618	NYLON TUBING, HIGH PRESSURE	超高壓尼龍油管	R200-02,M10XP1.0XL1.2MX2端	1.00	EA



MODEL: TALENT 42/51 B MSY+X2	PART NUMBER	NL 000013024A
LUBRICATION	PAGE	1 OF 1
MSY+X2 潤滑系統	SCALE	1:16
DATE 2017/4/6	REV.	B

PRODUCT BOM MASTER AND SUB-ITEMS LIST

Master Item Part NO.: NL 000013024A

Description: SUB SPINDLE LUBRICATION TO FOC
MSY+X2軸(手動集中潤滑系統)

Item Part NO.	Description	中文名稱	Specification	Qty	Unit
2.00 MS 0103818	SOCKET HEAD CAP SCREW	六角穴圓頭螺絲	M8XP1.25XL20	3.00	EA
3.00 NL 00002340105	CV-8 DISTRIBUTOR	CV-8單一循環分配器	CV-8 入D6-出D6,3 HOLE,直接頭+三通	1.00	EA
4.00 MS 0103622	SOCKET HEAD CAP SCREW	六角穴圓頭螺絲	M6XP1.0XL40	4.00	EA
5.00 NL 00002340103	CV-61 DISTRIBUTOR	CV-61單一循環分配器(入-90°接頭)	CV-61(IN-D6,OUT-D4,5 HOLE)	1.00	EA
6.00 MS 0103622	SOCKET HEAD CAP SCREW	六角穴圓頭螺絲	M6XP1.0XL40	2.00	EA
7.00 NV 00077030244	NIPPLE, STRAIGHT	直接頭	PT1/8"XM8銅 - 管Φ4	5.00	EA
8.00 NV 00069660402	THIMBLE NUT, BRASS	單面套管	Φ4銅	5.00	EA
9.00 NV 00077031114	THIMBLE NUT, BRASS	單面套管帽	M8XΦ4.1	5.00	EA
10.00 MS 0103622	SOCKET HEAD CAP SCREW	六角穴圓頭螺絲	M6XP1.0XL40	2.00	EA
11.00 NV 00002340111	CV-6 DISTRIBUTOR	CV-6單一循環分配器	CV-6 入D6-出D6,3 HOLE,直接頭	1.00	EA
12.00 NV 00077030244	NIPPLE, STRAIGHT	直接頭	PT1/8"XM8銅 - 管Φ4	3.00	EA
13.00 NV 00069660402	THIMBLE NUT, BRASS	單面套管	Φ4銅	3.00	EA
14.00 NV 00077031114	THIMBLE NUT, BRASS	單面套管帽	M8XΦ4.1	3.00	EA
15.00 NL 00002340103	CV-61 DISTRIBUTOR	CV-61單一循環分配器(入-90°接頭)	CV-61(IN-D6,OUT-D4,5 HOLE)	1.00	EA
16.00 MS 0103622	SOCKET HEAD CAP SCREW	六角穴圓頭螺絲	M6XP1.0XL40	2.00	EA
17.00 NV 00077030244	NIPPLE, STRAIGHT	直接頭	PT1/8"XM8銅 - 管Φ4	5.00	EA
18.00 NV 00069660402	THIMBLE NUT, BRASS	單面套管	Φ4銅	5.00	EA
19.00 NV 00077031114	THIMBLE NUT, BRASS	單面套管帽	M8XΦ4.1	5.00	EA
20.00 NL 00002340103	CV-61 DISTRIBUTOR	CV-61單一循環分配器(入-90°接頭)	CV-61(IN-D6,OUT-D4,5 HOLE)	1.00	EA

PRODUCT BOM MASTER AND SUB-ITEMS LIST

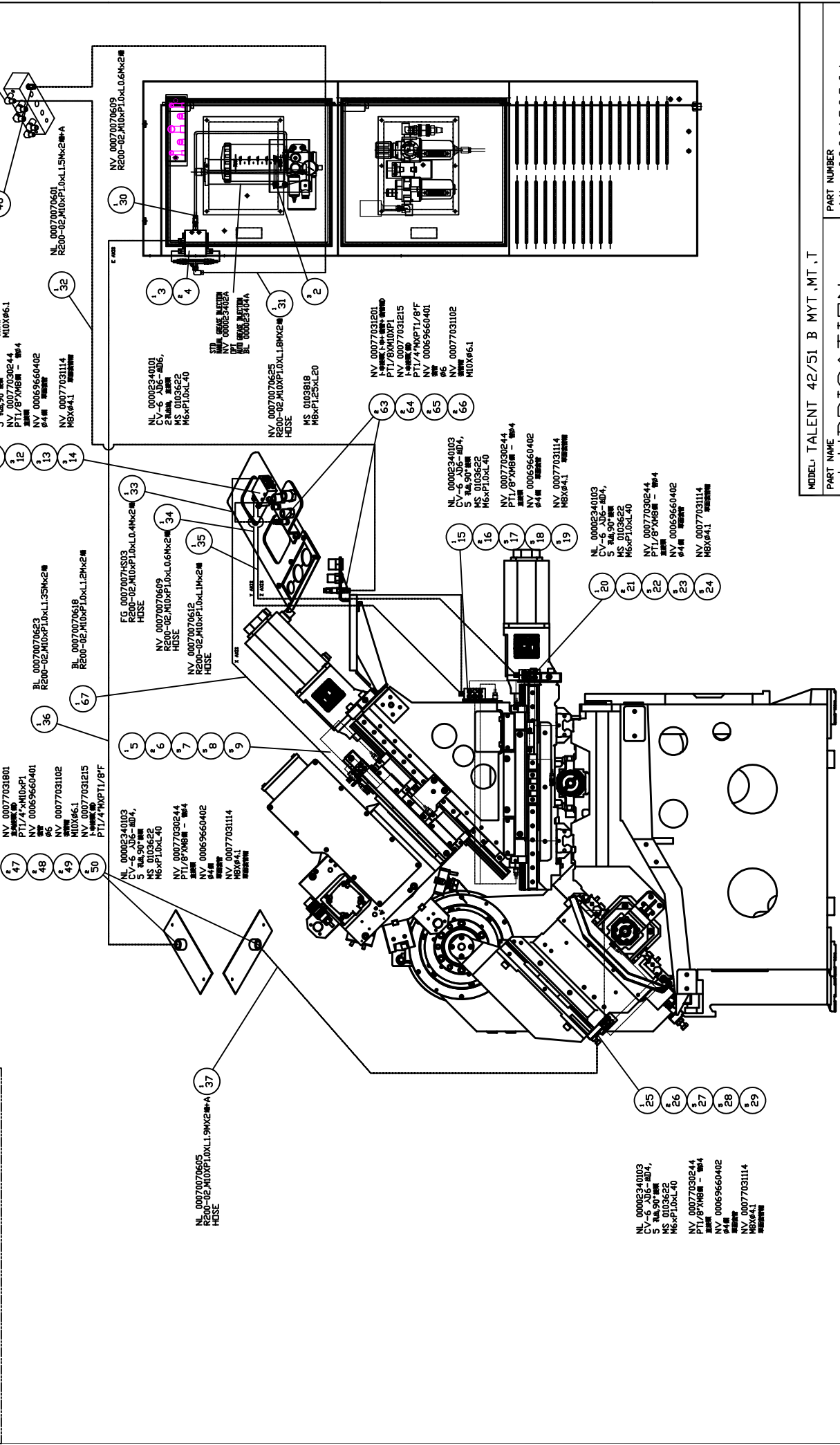
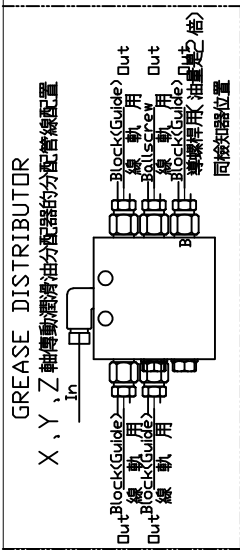
Item	Part NO.	Description	中文名稱	Specification	Qty	Unit
21.00	MS 0103622	SOCKET HEAD CAP SCREW	六角六圓頭螺絲	M6XP1.0XL40	2.00	EA
22.00	NV 00077030244	NIPPLE, STRAIGHT	直接頭	PT 1/8"XM8銅 - 管Φ4	5.00	EA
23.00	NV 00069660402	THIMBLE NUT, BRASS	單面套管	Φ4銅	5.00	EA
24.00	NV 00077031114	THIMBLE NUT, BRASS	單面套管帽	M8XΦ4.1	5.00	EA
25.00	NL 00002340103	CV-61 DISTRIBUTOR	CV-61單一循環分配器(入-90°接頭)	CV-61(IN-D6,OUT-D4,5 HOLE)	2.00	EA
26.00	MS 0103622	SOCKET HEAD CAP SCREW	六角六圓頭螺絲	M6XP1.0XL40	4.00	EA
27.00	NV 00077030244	NIPPLE, STRAIGHT	直接頭	PT 1/8"XM8銅 - 管Φ4	10.00	EA
28.00	NV 00069660402	THIMBLE NUT, BRASS	單面套管	Φ4銅	10.00	EA
29.00	NV 00077031114	THIMBLE NUT, BRASS	單面套管帽	M8XΦ4.1	10.00	EA
30.00	NV 00070070609	NYLON TUBING, HIGH PRESSURE	超高壓尼龍油管	R200-02,M10XP1.0XL0.6MX2SIDE	1.00	EA
31.00	NV 00070070625	NYLON TUBING, HIGH PRESSURE	超高壓尼龍油管	R200-02,M10XP1.0XL1.8MX2端	1.00	EA
32.00	NL 00070070601	NYLON TUBING, HIGH PRESSURE	超高壓尼龍油管(外部加彈簧)	R200-02,M10XP1.0XL1.5MX2端+A	1.00	EA
33.00	FG 0007007HS03	NYLON TUBING, HIGH PRESSURE	超高壓尼龍油管	R200-02,M10XP1.0XL0.4MX2SIDE	1.00	EA
34.00	NV 00070070609	NYLON TUBING, HIGH PRESSURE	超高壓尼龍油管	R200-02,M10XP1.0XL0.6MX2SIDE	1.00	EA
35.00	NV 00070070612	NYLON TUBING, HIGH PRESSURE	超高壓尼龍油管	R200-02,M10XP1.0XL1.0MX2端	1.00	EA
36.00	BL 00070070623	NYLON TUBING, HIGH PRESSURE	超高壓尼龍油管	R200-02,M10XP1.0XL1.35MX2SIDE	1.00	EA
37.00	NL 00070070602	NYLON TUBING, HIGH PRESSURE	超高壓尼龍油管(外部加彈簧)	R200-02,M10XP1.0XL1.6MX2端+A	1.00	EA
38.00	BL 00070070619	NYLON TUBING, HIGH PRESSURE	超高壓尼龍油管	R200-02,M10XP1.0XL0.75MX2端	1.00	EA
39.00	NV 00077031801	ELBOW, BRASS 90DEG MALE&FEMALE	直角接頭(銅)	PT 1/8"XM10(論興:GB00006M01T)	1.00	EA
40.00	NV 00069660401	THIMBLE, BRASS	套管	Φ6	1.00	EA
41.00	NV 00077031102	THIMBLE NUT, BRASS	套管帽	M10XΦ6.1	1.00	EA
42.00	NV 00077031215	BUSHING	卜申接頭(銅)	PT 1/4"MXPT1/8"F	1.00	EA

PRODUCT BOM MASTER AND SUB-ITEMS LIST

Item	Part NO.	Description	中文名稱	Specification	Qty	Unit
43.00	NV 00077031201	BUSHING, BRASS	卜申接頭(卜申+套管+套管帽)	PT1/8XM10XP1	1.00	EA
44.00	NV 00077031215	BUSHING	卜申接頭(銅)	PT1/4"MXPT1/8"F	1.00	EA
45.00	NV 00069660401	THIMBLE, BRASS	套管	Φ6	1.00	EA
46.00	NV 00077031102	THIMBLE NUT, BRASS	套管帽	M10XΦ6.1	1.00	EA
47.00	NV 00077031801	ELBOW, BRASS 90DEG MALE&FEMALE	直角接頭(銅)	PT1/8"XM10(論興:GB0006M01T)	1.00	EA
48.00	NV 00069660401	THIMBLE, BRASS	套管	Φ6	1.00	EA
49.00	NV 00077031102	THIMBLE NUT, BRASS	套管帽	M10XΦ6.1	1.00	EA
50.00	NV 00077031215	BUSHING	卜申接頭(銅)	PT1/4"MXPT1/8"F	1.00	EA
51.00	NV 00077031201	BUSHING, BRASS	卜申接頭(卜申+套管+套管帽)	PT1/8XM10XP1	1.00	EA
52.00	NV 00077031215	BUSHING	卜申接頭(銅)	PT1/4"MXPT1/8"F	1.00	EA
53.00	NV 00069660401	THIMBLE, BRASS	套管	Φ6	1.00	EA
54.00	NV 00077031102	THIMBLE NUT, BRASS	套管帽	M10XΦ6.1	1.00	EA
55.00	NV 00077031201	BUSHING, BRASS	卜申接頭(卜申+套管+套管帽)	PT1/8XM10XP1	1.00	EA
56.00	NV 00077031215	BUSHING	卜申接頭(銅)	PT1/4"MXPT1/8"F	1.00	EA
57.00	NV 00069660401	THIMBLE, BRASS	套管	Φ6	1.00	EA
58.00	NV 00077031102	THIMBLE NUT, BRASS	套管帽	M10XΦ6.1	1.00	EA
59.00	NV 00077031801	ELBOW, BRASS 90DEG MALE&FEMALE	直角接頭(銅)	PT1/8"XM10(論興:GB0006M01T)	2.00	EA
60.00	NV 00069660401	THIMBLE, BRASS	套管	Φ6	2.00	EA
61.00	NV 00077031102	THIMBLE NUT, BRASS	套管帽	M10XΦ6.1	2.00	EA
62.00	NV 00077031215	BUSHING	卜申接頭(銅)	PT1/4"MXPT1/8"F	2.00	EA
63.00	NV 00077031201	BUSHING, BRASS	卜申接頭(卜申+套管+套管帽)	PT1/8XM10XP1	2.00	EA
64.00	NV 00077031215	BUSHING	卜申接頭(銅)	PT1/4"MXPT1/8"F	2.00	EA

PRODUCT BOM MASTER AND SUB-ITEMS LIST

Item	Part NO.	Description	中文名稱	Specification	Qty	Unit
65.00	NV 00069660401	THIMBLE, BRASS	套管	Φ6	2.00	EA
66.00	NV 00077031102	THIMBLE NUT, BRASS	套管帽	M10XΦ6.1	2.00	EA
67.00	BL 00070070618	NYLON TUBING, HIGH PRESSURE	超高壓尼龍油管	R200-02,M10XP1.0XL1.2MX2端	1.00	EA
68.00	NL 00070070604	NYLON TUBING, HIGH PRESSURE	超高壓尼龍油管(一直-90度)	R200-02,M10XP1.0XL0.43MX2端	1.00	EA
69.00	NV 00070070612	NYLON TUBING, HIGH PRESSURE	超高壓尼龍油管	R200-02,M10XP1.0XL1.0MX2端	1.00	EA
70.00	NL 00002340101	CV-6 DISTRIBUTOR	CV-6單一循環分配器	CV-6 入D6-出D6,2 HOLE,直接頭	1.00	EA



MODEL: TALENT 42/51 B MYT.MT.T	PART NUMBER	NL 000013026A
LUBRICATION	PAGE	1 OF 1
1 旬月良尾基基潤滑系統	SCALE	1:1
DATE 2015/11/16	REV.	C

PRODUCT BOM MASTER AND SUB-ITEMS LIST

Master Item Part NO.: NL 000013026A

Description: LUBRICATION BY FOCUS
伺服尾座(集中潤滑系統)

Item Part NO.	Description	中文名稱	Specification	Qty	Unit
2.00 MS 0103818	SOCKET HEAD CAP SCREW	六角穴圓頭螺絲	M8XP1.25XL20	3.00	EA
3.00 NL 00002340104	CV-8 DISTRIBUTOR	CV-8單一循環分配器	CV-8 入D6-出D6,3 HOLE,直接頭+三通	1.00	EA
4.00 MS 0103622	SOCKET HEAD CAP SCREW	六角穴圓頭螺絲	M6XP1.0XL40	2.00	EA
5.00 NL 00002340103	CV-61 DISTRIBUTOR	CV-61單一循環分配器(入-90°接頭)	CV-61(IN-D6,OUT-D4,5 HOLE)	1.00	EA
6.00 MS 0103622	SOCKET HEAD CAP SCREW	六角穴圓頭螺絲	M6XP1.0XL40	2.00	EA
7.00 NV 00077030244	NIPPLE, STRAIGHT	直接頭	PT1/8"XM8銅 - 管Φ4	5.00	EA
8.00 NV 00069660402	THIMBLE NUT, BRASS	單面套管	Φ4銅	5.00	EA
9.00 NV 00077031114	THIMBLE NUT, BRASS	單面套管帽	M8XΦ4.1	5.00	EA
10.00 MS 0103622	SOCKET HEAD CAP SCREW	六角穴圓頭螺絲	M6XP1.0XL40	2.00	EA
11.00 NV 00002340111	CV-6 DISTRIBUTOR	CV-6單一循環分配器	CV-6 入D6-出D6,3 HOLE,直接頭	1.00	EA
12.00 NV 00077030244	NIPPLE, STRAIGHT	直接頭	PT1/8"XM8銅 - 管Φ4	3.00	EA
13.00 NV 00069660402	THIMBLE NUT, BRASS	單面套管	Φ4銅	3.00	EA
14.00 NV 00077031114	THIMBLE NUT, BRASS	單面套管帽	M8XΦ4.1	3.00	EA
15.00 NL 00002340103	CV-61 DISTRIBUTOR	CV-61單一循環分配器(入-90°接頭)	CV-61(IN-D6,OUT-D4,5 HOLE)	1.00	EA
16.00 MS 0103622	SOCKET HEAD CAP SCREW	六角穴圓頭螺絲	M6XP1.0XL40	2.00	EA
17.00 NV 00077030244	NIPPLE, STRAIGHT	直接頭	PT1/8"XM8銅 - 管Φ4	5.00	EA
18.00 NV 00069660402	THIMBLE NUT, BRASS	單面套管	Φ4銅	5.00	EA
19.00 NV 00077031114	THIMBLE NUT, BRASS	單面套管帽	M8XΦ4.1	5.00	EA
20.00 NL 00002340103	CV-61 DISTRIBUTOR	CV-61單一循環分配器(入-90°接頭)	CV-61(IN-D6,OUT-D4,5 HOLE)	1.00	EA

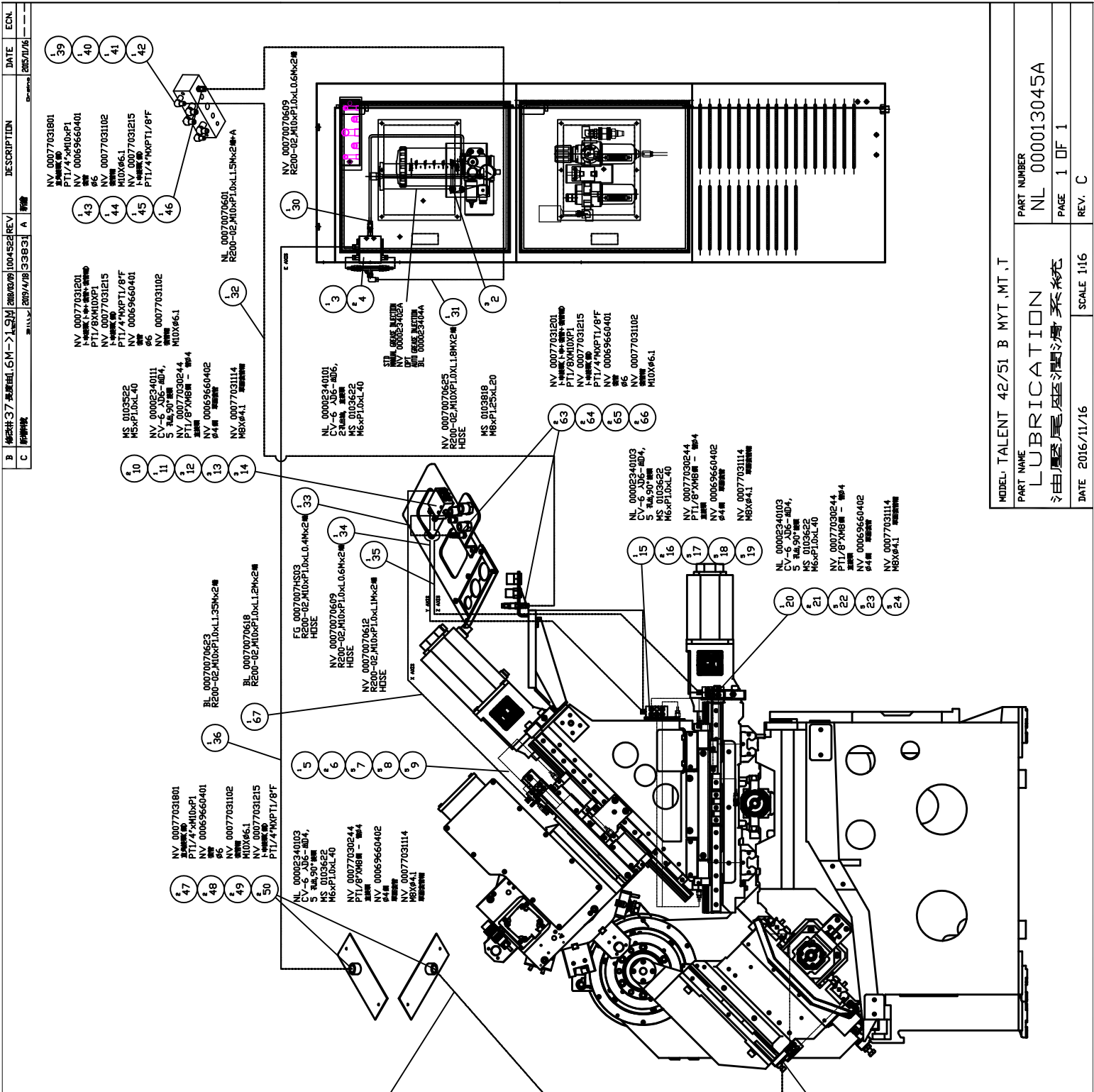
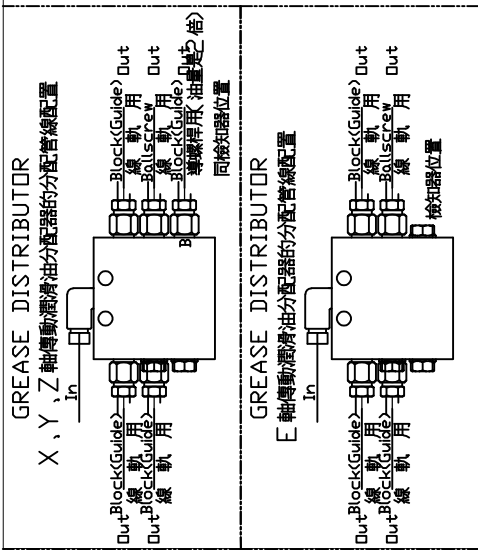
PRODUCT BOM MASTER AND SUB-ITEMS LIST

Item	Part NO.	Description	中文名稱	Specification	Qty	Unit
21.00	MS 0103622	SOCKET HEAD CAP SCREW	六角六圓頭螺絲	M6XP1.0XL40	2.00	EA
22.00	NV 00077030244	NIPPLE, STRAIGHT	直接頭	PT 1/8"XM8銅 - 管Φ4	5.00	EA
23.00	NV 00069660402	THIMBLE NUT, BRASS	單面套管	Φ4銅	5.00	EA
24.00	NV 00077031114	THIMBLE NUT, BRASS	單面套管帽	M8XΦ4.1	5.00	EA
25.00	NL 00002340103	CV-61 DISTRIBUTOR	CV-61單一循環分配器(入-90°接頭)	CV-61(IN-D6,OUT-D4,5 HOLE)	1.00	EA
26.00	MS 0103622	SOCKET HEAD CAP SCREW	六角六圓頭螺絲	M6XP1.0XL40	2.00	EA
27.00	NV 00077030244	NIPPLE, STRAIGHT	直接頭	PT 1/8"XM8銅 - 管Φ4	5.00	EA
28.00	NV 00069660402	THIMBLE NUT, BRASS	單面套管	Φ4銅	5.00	EA
29.00	NV 00077031114	THIMBLE NUT, BRASS	單面套管帽	M8XΦ4.1	5.00	EA
30.00	NV 00070070609	NYLON TUBING, HIGH PRESSURE	超高壓尼龍油管	R200-02,M10XP1.0XL0.6MX2SIDE	1.00	EA
31.00	NV 00070070625	NYLON TUBING, HIGH PRESSURE	超高壓尼龍油管	R200-02,M10XP1.0XL1.8MX2端	1.00	EA
32.00	NL 00070070601	NYLON TUBING, HIGH PRESSURE	超高壓尼龍油管(外部加彈簧)	R200-02,M10XP1.0XL1.5MX2端+A	1.00	EA
33.00	FG 0007007HS03	NYLON TUBING, HIGH PRESSURE	超高壓尼龍油管	R200-02,M10XP1.0XL0.4MX2SIDE	1.00	EA
34.00	NV 00070070609	NYLON TUBING, HIGH PRESSURE	超高壓尼龍油管	R200-02,M10XP1.0XL0.6MX2SIDE	1.00	EA
35.00	NV 00070070612	NYLON TUBING, HIGH PRESSURE	超高壓尼龍油管	R200-02,M10XP1.0XL1.0MX2端	1.00	EA
36.00	BL 00070070623	NYLON TUBING, HIGH PRESSURE	超高壓尼龍油管	R200-02,M10XP1.0XL1.35MX2SIDE	1.00	EA
37.01	NL 00070070605	NYLON TUBING, HIGH PRESSURE	超高壓尼龍油管(外部加彈簧)	R200-02,M10XP1.0XL1.9MX2端+A	1.00	EA
39.00	NV 00077031801	ELBOW, BRASS 90DEG MALE&FEMALE	直角接頭(銅)	PT 1/8"XM10(論興:GB0006M01T)	1.00	EA
40.00	NV 00069660401	THIMBLE, BRASS	套管	Φ6	1.00	EA
41.00	NV 00077031102	THIMBLE NUT, BRASS	套管帽	M10XΦ6.1	1.00	EA
42.00	NV 00077031215	BUSHING	卜申接頭(銅)	PT 1/4"MXPT1/8"F	1.00	EA
43.00	NV 00077031201	BUSHING, BRASS	卜申接頭(卜申+套管+套管帽)	PT 1/8XM10XP1	1.00	EA

PRODUCT BOM MASTER AND SUB-ITEMS LIST

Item	Part NO.	Description	中文名稱	Specification	Qty	Unit
44.00	NV 00077031215	BUSHING	卜申接頭(銅)	PT1/4"MXPT1/8"F	1.00	EA
45.00	NV 00069660401	THIMBLE, BRASS	套管	Φ6	1.00	EA
46.00	NV 00077031102	THIMBLE NUT, BRASS	套管帽	M10XΦ6.1	1.00	EA
47.00	NV 00077031801	ELBOW, BRASS 90DEG MALE&FEMALE	直角接頭(銅)	PT1/8"XM10(論興:GB0006M01T)	2.00	EA
48.00	NV 00069660401	THIMBLE, BRASS	套管	Φ6	2.00	EA
49.00	NV 00077031102	THIMBLE NUT, BRASS	套管帽	M10XΦ6.1	2.00	EA
50.00	NV 00077031215	BUSHING	卜申接頭(銅)	PT1/4"MXPT1/8"F	2.00	EA
63.00	NV 00077031201	BUSHING, BRASS	卜申接頭(卜申+套管+套管帽)	PT1/8XM10XP1	2.00	EA
64.00	NV 00077031215	BUSHING	卜申接頭(銅)	PT1/4"MXPT1/8"F	2.00	EA
65.00	NV 00069660401	THIMBLE, BRASS	套管	Φ6	2.00	EA
66.00	NV 00077031102	THIMBLE NUT, BRASS	套管帽	M10XΦ6.1	2.00	EA
67.00	BL 00070070618	NYLON TUBING, HIGH PRESSURE	超高壓尼龍油管	R200-02,M10XP1.0XL1.2MX2端	1.00	EA

B	機架37 基礎油, GM → 基礎油	圖號/零件號	100452[REV]	圖號	DATE	ECK
C	新機架	圖號/零件號	33931	A	2015/11/16	



MODEL	TALENT 42/51 B MYT.MT.T
PART NAME	LUBRICATION
PART NUMBER	NL 00013045A
PAGE	1 OF 1
SCALE	1:1
REV.	C

PRODUCT BOM MASTER AND SUB-ITEMS LIST

Master Item Part NO.: NL 000013045A

Description: LUBRICATION BY FOCUS
油壓尾座(集中潤滑系統)

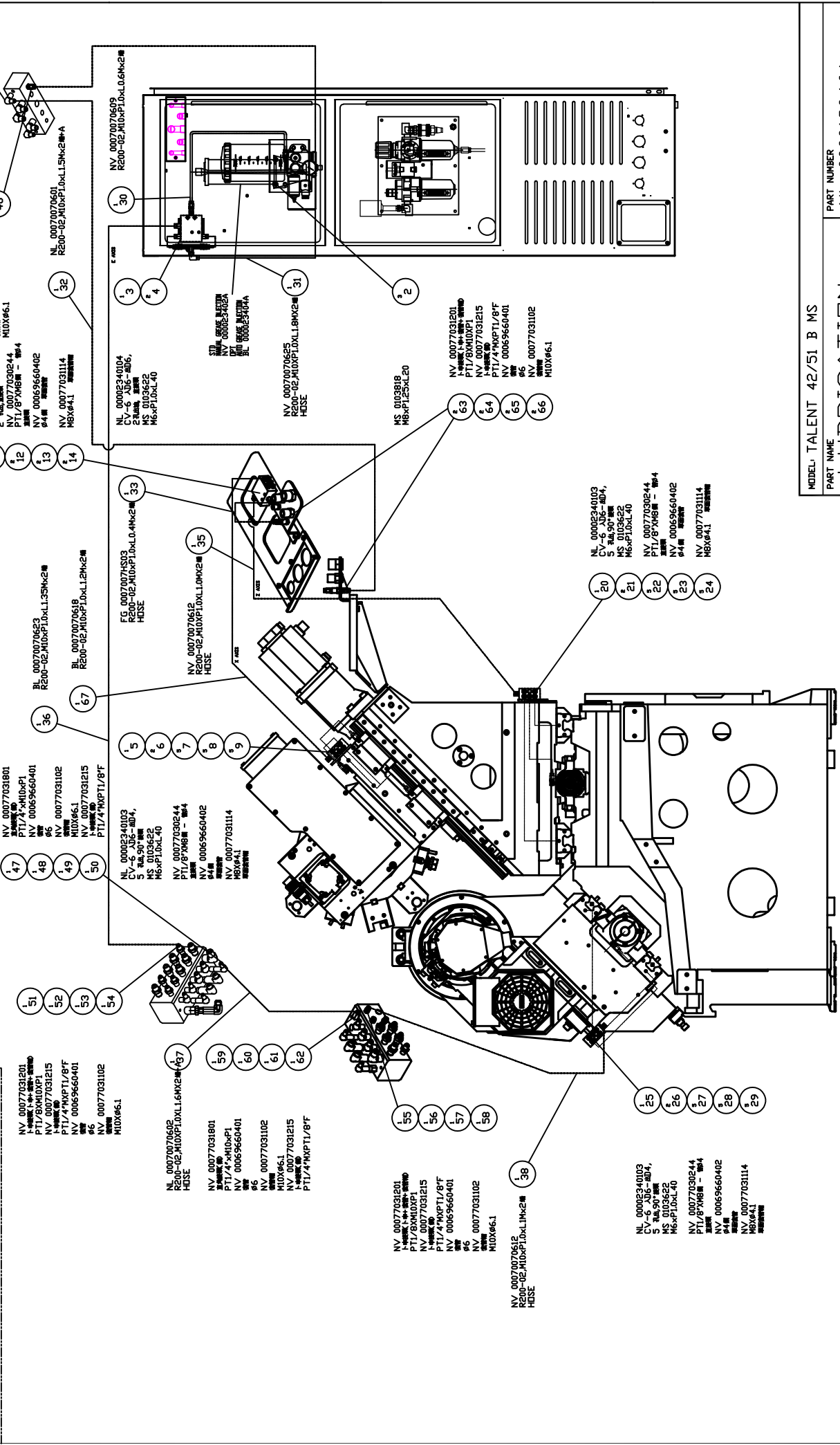
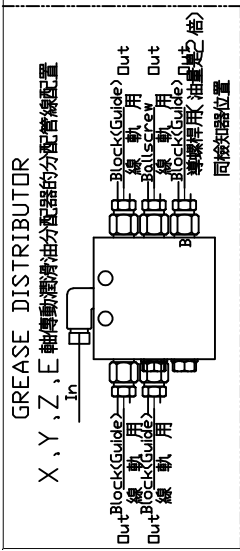
Item Part NO.	Description	中文名稱	Specification	Qty	Unit
2.00 MS 0103818	SOCKET HEAD CAP SCREW	六角穴圓頭螺絲	M8XP1.25XL20	3.00	EA
3.00 NL 00002340104	CV-8 DISTRIBUTOR	CV-8單一循環分配器	CV-8 入D6-出D6,3 HOLE,直接頭+三通	1.00	EA
4.00 MS 0103622	SOCKET HEAD CAP SCREW	六角穴圓頭螺絲	M6XP1.0XL40	2.00	EA
5.00 NL 00002340103	CV-61 DISTRIBUTOR	CV-61單一循環分配器(入-90°接頭)	CV-61(IN-D6,OUT-D4,5 HOLE)	1.00	EA
6.00 MS 0103622	SOCKET HEAD CAP SCREW	六角穴圓頭螺絲	M6XP1.0XL40	2.00	EA
7.00 NV 00077030244	NIPPLE, STRAIGHT	直接頭	PT1/8"XM8銅 - 管Φ4	5.00	EA
8.00 NV 00069660402	THIMBLE NUT, BRASS	單面套管	Φ4銅	5.00	EA
9.00 NV 00077031114	THIMBLE NUT, BRASS	單面套管帽	M8XΦ4.1	5.00	EA
10.00 MS 0103622	SOCKET HEAD CAP SCREW	六角穴圓頭螺絲	M6XP1.0XL40	2.00	EA
11.00 NV 00002340111	CV-6 DISTRIBUTOR	CV-6單一循環分配器	CV-6 入D6-出D6,3 HOLE,直接頭	1.00	EA
12.00 NV 00077030244	NIPPLE, STRAIGHT	直接頭	PT1/8"XM8銅 - 管Φ4	3.00	EA
13.00 NV 00069660402	THIMBLE NUT, BRASS	單面套管	Φ4銅	3.00	EA
14.00 NV 00077031114	THIMBLE NUT, BRASS	單面套管帽	M8XΦ4.1	3.00	EA
15.00 NL 00002340103	CV-61 DISTRIBUTOR	CV-61單一循環分配器(入-90°接頭)	CV-61(IN-D6,OUT-D4,5 HOLE)	1.00	EA
16.00 MS 0103622	SOCKET HEAD CAP SCREW	六角穴圓頭螺絲	M6XP1.0XL40	2.00	EA
17.00 NV 00077030244	NIPPLE, STRAIGHT	直接頭	PT1/8"XM8銅 - 管Φ4	5.00	EA
18.00 NV 00069660402	THIMBLE NUT, BRASS	單面套管	Φ4銅	5.00	EA
19.00 NV 00077031114	THIMBLE NUT, BRASS	單面套管帽	M8XΦ4.1	5.00	EA
20.00 NL 00002340103	CV-61 DISTRIBUTOR	CV-61單一循環分配器(入-90°接頭)	CV-61(IN-D6,OUT-D4,5 HOLE)	1.00	EA

PRODUCT BOM MASTER AND SUB-ITEMS LIST

Item	Part NO.	Description	中文名稱	Specification	Qty	Unit
21.00	MS 0103622	SOCKET HEAD CAP SCREW	六角六圓頭螺絲	M6XP1.0XL40	2.00	EA
22.00	NV 00077030244	NIPPLE, STRAIGHT	直接頭	PT 1/8"XM8銅 - 管Φ4	5.00	EA
23.00	NV 00069660402	THIMBLE NUT, BRASS	單面套管	Φ4銅	5.00	EA
24.00	NV 00077031114	THIMBLE NUT, BRASS	單面套管帽	M8XΦ4.1	5.00	EA
25.00	NL 00002340106	DISTRIBUTOR	B型油量調整分配器	B-464, 入D6出D4	1.00	EA
26.00	MS 0103622	SOCKET HEAD CAP SCREW	六角六圓頭螺絲	M6XP1.0XL40	2.00	EA
27.00	NV 00077030244	NIPPLE, STRAIGHT	直接頭	PT 1/8"XM8銅 - 管Φ4	4.00	EA
28.00	NV 00069660402	THIMBLE NUT, BRASS	單面套管	Φ4銅	4.00	EA
29.00	NV 00077031114	THIMBLE NUT, BRASS	單面套管帽	M8XΦ4.1	4.00	EA
30.00	NV 00070070609	NYLON TUBING, HIGH PRESSURE	超高壓尼龍油管	R200-02,M10XP1.0XL0.6MX2SIDE	1.00	EA
31.00	NV 00070070625	NYLON TUBING, HIGH PRESSURE	超高壓尼龍油管	R200-02,M10XP1.0XL1.8MX2端	1.00	EA
32.00	NL 00070070601	NYLON TUBING, HIGH PRESSURE	超高壓尼龍油管(外部加彈簧)	R200-02,M10XP1.0XL1.5MX2端+A	1.00	EA
33.00	FG 0007007HS03	NYLON TUBING, HIGH PRESSURE	超高壓尼龍油管	R200-02,M10XP1.0XL0.4MX2SIDE	1.00	EA
34.00	NV 00070070609	NYLON TUBING, HIGH PRESSURE	超高壓尼龍油管	R200-02,M10XP1.0XL0.6MX2SIDE	1.00	EA
35.00	NV 00070070612	NYLON TUBING, HIGH PRESSURE	超高壓尼龍油管	R200-02,M10XP1.0XL1.0MX2端	1.00	EA
36.00	BL 00070070623	NYLON TUBING, HIGH PRESSURE	超高壓尼龍油管	R200-02,M10XP1.0XL1.35MX2SIDE	1.00	EA
37.01	NL 00070070605	NYLON TUBING, HIGH PRESSURE	超高壓尼龍油管(外部加彈簧)	R200-02,M10XP1.0XL1.9MX2端+A	1.00	EA
39.00	NV 00077031801	ELBOW, BRASS 90DEG MALE&FEMALE	直角接頭(銅)	PT 1/8"XM10(論興:GB0006M01T)	1.00	EA
40.00	NV 00069660401	THIMBLE, BRASS	套管	Φ6	1.00	EA
41.00	NV 00077031102	THIMBLE NUT, BRASS	套管帽	M10XΦ6.1	1.00	EA
42.00	NV 00077031215	BUSHING	卜申接頭(銅)	PT 1/4"MXPT1/8"F	1.00	EA
43.00	NV 00077031201	BUSHING, BRASS	卜申接頭(卜申+套管+套管帽)	PT 1/8XM10XP1	1.00	EA

PRODUCT BOM MASTER AND SUB-ITEMS LIST

Item	Part NO.	Description	中文名稱	Specification	Qty	Unit
44.00	NV 00077031215	BUSHING	卜申接頭(銅)	PT1/4"MXPT1/8"F	1.00	EA
45.00	NV 00069660401	THIMBLE, BRASS	套管	Φ6	1.00	EA
46.00	NV 00077031102	THIMBLE NUT, BRASS	套管帽	M10XΦ6.1	1.00	EA
47.00	NV 00077031801	ELBOW, BRASS 90DEG MALE&FEMALE	直角接頭(銅)	PT1/8"XM10(論興:GB00006M01T)	2.00	EA
48.00	NV 00069660401	THIMBLE, BRASS	套管	Φ6	2.00	EA
49.00	NV 00077031102	THIMBLE NUT, BRASS	套管帽	M10XΦ6.1	2.00	EA
50.00	NV 00077031215	BUSHING	卜申接頭(銅)	PT1/4"MXPT1/8"F	2.00	EA
63.00	NV 00077031201	BUSHING, BRASS	卜申接頭(卜申+套管+套管帽)	PT1/8XM10XP1	2.00	EA
64.00	NV 00077031215	BUSHING	卜申接頭(銅)	PT1/4"MXPT1/8"F	2.00	EA
65.00	NV 00069660401	THIMBLE, BRASS	套管	Φ6	2.00	EA
66.00	NV 00077031102	THIMBLE NUT, BRASS	套管帽	M10XΦ6.1	2.00	EA
67.00	BL 00070070618	NYLON TUBING, HIGH PRESSURE	超高壓尼龍油管	R200-02,M10XP1.0XL1.2MX2端	1.00	EA



MODEL: TALENT 42/51 B MS	PART NUMBER: NL 00013046A
LUBRICATION	PAGE 1 OF 1
M S 潤滑油系統	REV. B
DATE 2015/12/31	SCALE 1:16

PRODUCT BOM MASTER AND SUB-ITEMS LIST

Master Item Part NO.: NL 000013046A

Description: LUBRICATION BY FOCUS
MS軸(集中潤滑系統)

Item Part NO.	Description	中文名稱	Specification	Qty	Unit
2.00 MS 0103818	SOCKET HEAD CAP SCREW	六角穴圓頭螺絲	M8XP1.25XL20	3.00	EA
3.00 NL 00002340104	CV-8 DISTRIBUTOR	CV-8單一循環分配器	CV-8 入D6-出D6,3 HOLE,直接頭+三通	1.00	EA
4.00 MS 0103622	SOCKET HEAD CAP SCREW	六角穴圓頭螺絲	M6XP1.0XL40	2.00	EA
5.00 NL 00002340103	CV-61 DISTRIBUTOR	CV-61單一循環分配器(入-90°接頭)	CV-61(IN-D6,OUT-D4,5 HOLE)	1.00	EA
6.00 MS 0103622	SOCKET HEAD CAP SCREW	六角穴圓頭螺絲	M6XP1.0XL40	2.00	EA
7.00 NV 00077030244	NIPPLE, STRAIGHT	直接頭	PT1/8"XM8銅 - 管Φ4	5.00	EA
8.00 NV 00069660402	THIMBLE NUT, BRASS	單面套管	Φ4銅	5.00	EA
9.00 NV 00077031114	THIMBLE NUT, BRASS	單面套管帽	M8XΦ4.1	5.00	EA
10.00 MS 0103622	SOCKET HEAD CAP SCREW	六角穴圓頭螺絲	M6XP1.0XL40	2.00	EA
11.00 NL 00002340101	CV-6 DISTRIBUTOR	CV-6單一循環分配器	CV-6 入D6-出D6,2 HOLE,直接頭	1.00	EA
12.00 NV 00077030244	NIPPLE, STRAIGHT	直接頭	PT1/8"XM8銅 - 管Φ4	3.00	EA
13.00 NV 00069660402	THIMBLE NUT, BRASS	單面套管	Φ4銅	3.00	EA
14.00 NV 00077031114	THIMBLE NUT, BRASS	單面套管帽	M8XΦ4.1	3.00	EA
20.00 NL 00002340103	CV-61 DISTRIBUTOR	CV-61單一循環分配器(入-90°接頭)	CV-61(IN-D6,OUT-D4,5 HOLE)	1.00	EA
21.00 MS 0103622	SOCKET HEAD CAP SCREW	六角穴圓頭螺絲	M6XP1.0XL40	2.00	EA
22.00 NV 00077030244	NIPPLE, STRAIGHT	直接頭	PT1/8"XM8銅 - 管Φ4	5.00	EA
23.00 NV 00069660402	THIMBLE NUT, BRASS	單面套管	Φ4銅	5.00	EA
24.00 NV 00077031114	THIMBLE NUT, BRASS	單面套管帽	M8XΦ4.1	5.00	EA
25.00 NL 00002340103	CV-61 DISTRIBUTOR	CV-61單一循環分配器(入-90°接頭)	CV-61(IN-D6,OUT-D4,5 HOLE)	1.00	EA

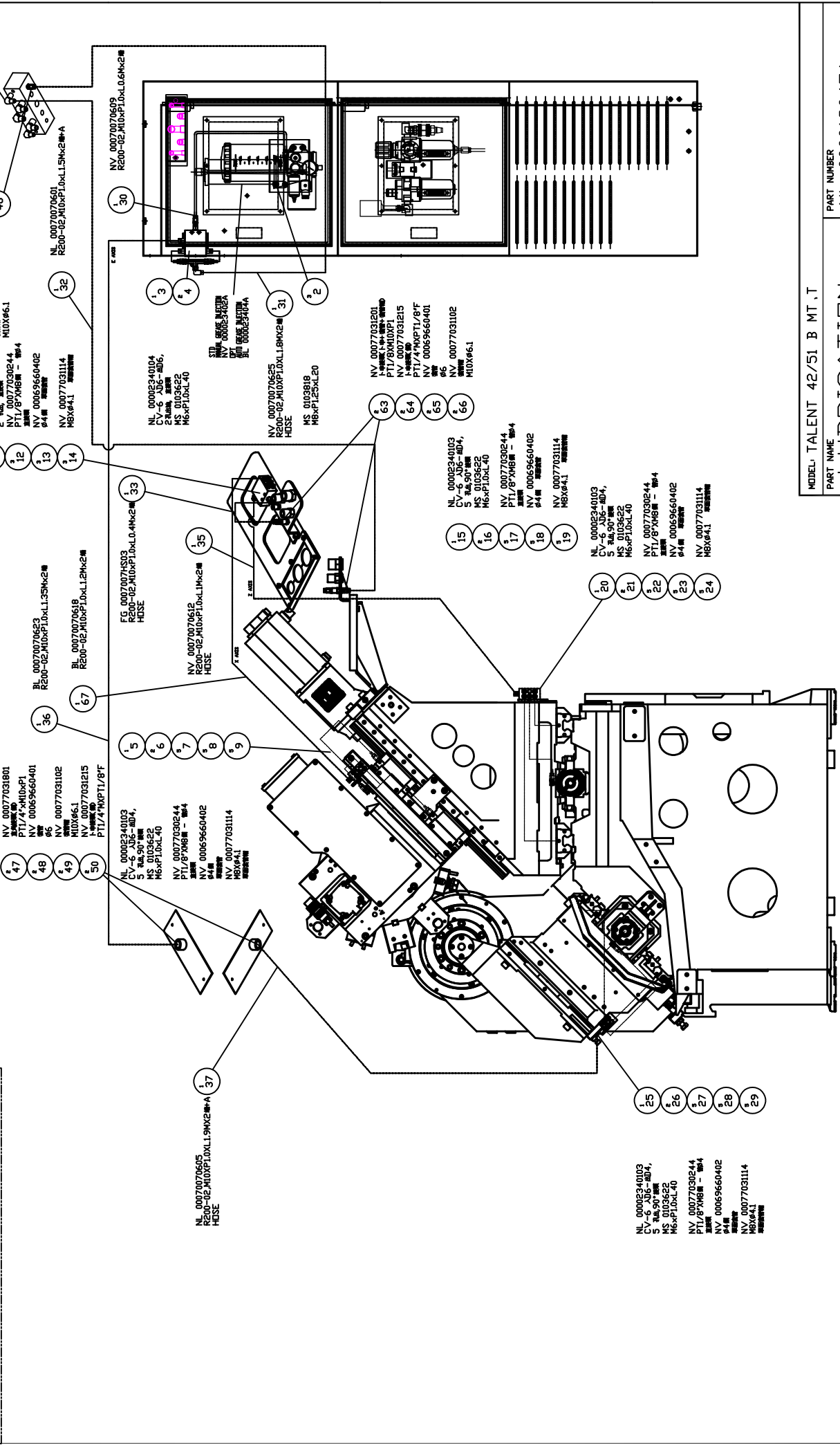
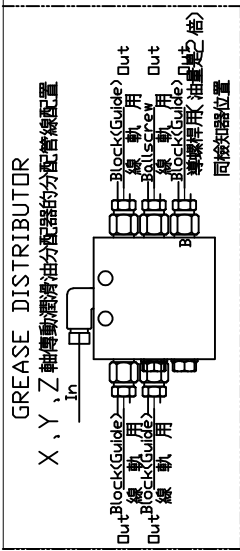
PRODUCT BOM MASTER AND SUB-ITEMS LIST

Item	Part NO.	Description	中文名稱	Specification	Qty	Unit
26.00	MS 0103622	SOCKET HEAD CAP SCREW	六角六圓頭螺絲	M6XP1.0XL40	2.00	EA
27.00	NV 00077030244	NIPPLE, STRAIGHT	直接頭	PT 1/8"XM8銅 - 管Φ4	5.00	EA
28.00	NV 00069660402	THIMBLE NUT, BRASS	單面套管	Φ4銅	5.00	EA
29.00	NV 00077031114	THIMBLE NUT, BRASS	單面套管帽	M8XΦ4.1	5.00	EA
30.00	NV 00070070609	NYLON TUBING, HIGH PRESSURE	超高壓尼龍油管	R200-02,M10XP1.0XL0.6MX2SIDE	1.00	EA
31.00	NV 00070070625	NYLON TUBING, HIGH PRESSURE	超高壓尼龍油管	R200-02,M10XP1.0XL1.8MX2端	1.00	EA
32.00	NL 00070070601	NYLON TUBING, HIGH PRESSURE	超高壓尼龍油管(外部加彈簧)	R200-02,M10XP1.0XL1.5MX2端+A	1.00	EA
33.00	FG 0007007HS03	NYLON TUBING, HIGH PRESSURE	超高壓尼龍油管	R200-02,M10XP1.0XL0.4MX2SIDE	1.00	EA
35.00	NV 00070070612	NYLON TUBING, HIGH PRESSURE	超高壓尼龍油管	R200-02,M10XP1.0XL1.0MX2端	1.00	EA
36.00	BL 00070070623	NYLON TUBING, HIGH PRESSURE	超高壓尼龍油管	R200-02,M10XP1.0XL1.35MX2SIDE	1.00	EA
37.00	NL 00070070602	NYLON TUBING, HIGH PRESSURE	超高壓尼龍油管(外部加彈簧)	R200-02,M10XP1.0XL1.6MX2端+A	1.00	EA
38.00	NV 00070070612	NYLON TUBING, HIGH PRESSURE	超高壓尼龍油管	R200-02,M10XP1.0XL1.0MX2端	1.00	EA
39.00	NV 00077031801	ELBOW, BRASS 90DEG MALE&FEMALE	直角接頭(銅)	PT 1/8"XM10(論興:GB00006M01T)	1.00	EA
40.00	NV 00069660401	THIMBLE, BRASS	套管	Φ6	1.00	EA
41.00	NV 00077031102	THIMBLE NUT, BRASS	套管帽	M10XΦ6.1	1.00	EA
42.00	NV 00077031215	BUSHING	卜申接頭(銅)	PT 1/4"MXPT1/8"F	1.00	EA
43.00	NV 00077031201	BUSHING, BRASS	卜申接頭(卜申+套管+套管帽)	PT 1/8XM10XP1	1.00	EA
44.00	NV 00077031215	BUSHING	卜申接頭(銅)	PT 1/4"MXPT1/8"F	1.00	EA
45.00	NV 00069660401	THIMBLE, BRASS	套管	Φ6	1.00	EA
46.00	NV 00077031102	THIMBLE NUT, BRASS	套管帽	M10XΦ6.1	1.00	EA
47.00	NV 00077031801	ELBOW, BRASS 90DEG MALE&FEMALE	直角接頭(銅)	PT 1/8"XM10(論興:GB00006M01T)	1.00	EA
48.00	NV 00069660401	THIMBLE, BRASS	套管	Φ6	1.00	EA

PRODUCT BOM MASTER AND SUB-ITEMS LIST

Item	Part NO.	Description	中文名稱	Specification	Qty	Unit
49.00	NV 00077031102	THIMBLE NUT, BRASS	套管帽	M10XΦ6.1	1.00	EA
50.00	NV 00077031215	BUSHING	卜申接頭(銅)	PT1/4"MXPT1/8"F	1.00	EA
51.00	NV 00077031201	BUSHING, BRASS	卜申接頭(卜申+套管+套管帽)	PT1/8XM10XP1	1.00	EA
52.00	NV 00077031215	BUSHING	卜申接頭(銅)	PT1/4"MXPT1/8"F	1.00	EA
53.00	NV 00069660401	THIMBLE, BRASS	套管	Φ6	1.00	EA
54.00	NV 00077031102	THIMBLE NUT, BRASS	套管帽	M10XΦ6.1	1.00	EA
55.00	NV 00077031201	BUSHING, BRASS	卜申接頭(卜申+套管+套管帽)	PT1/8XM10XP1	1.00	EA
56.00	NV 00077031215	BUSHING	卜申接頭(銅)	PT1/4"MXPT1/8"F	1.00	EA
57.00	NV 00069660401	THIMBLE, BRASS	套管	Φ6	1.00	EA
58.00	NV 00077031102	THIMBLE NUT, BRASS	套管帽	M10XΦ6.1	1.00	EA
59.00	NV 00077031801	ELBOW, BRASS 90DEG MALE&FEMALE	直角接頭(銅)	PT1/8"XM10(論興:GB0006M01T)	1.00	EA
60.00	NV 00069660401	THIMBLE, BRASS	套管	Φ6	1.00	EA
61.00	NV 00077031102	THIMBLE NUT, BRASS	套管帽	M10XΦ6.1	1.00	EA
62.00	NV 00077031215	BUSHING	卜申接頭(銅)	PT1/4"MXPT1/8"F	1.00	EA
63.00	NV 00077031201	BUSHING, BRASS	卜申接頭(卜申+套管+套管帽)	PT1/8XM10XP1	2.00	EA
64.00	NV 00077031215	BUSHING	卜申接頭(銅)	PT1/4"MXPT1/8"F	2.00	EA
65.00	NV 00069660401	THIMBLE, BRASS	套管	Φ6	2.00	EA
66.00	NV 00077031102	THIMBLE NUT, BRASS	套管帽	M10XΦ6.1	2.00	EA
67.00	BL 00070070618	NYLON TUBING, HIGH PRESSURE	超高壓尼龍油管	R200-02,M10XP1.0XL1.2MX2端	1.00	EA

B	機架37 基礎油, GM -> 基礎油	圖號/零件號	100452[REV]	33831	A	日期	2015/11/16	ECK
C	新機架	圖號/零件號	100452[REV]	33831	A	日期	2015/11/16	ECK



MODEL	TALENT 42/51 B MT, T
PART NAME	LUBRICATION
PART NUMBER	NL 000013047A
PAGE	1 OF 1
DATE	2015/11/16
SCALE	1:1
REV.	C

PRODUCT BOM MASTER AND SUB-ITEMS LIST

Master Item Part NO.: NL 000013047A

Description: LUBRICATION BY FOCUS
伺服尾座(集中潤滑系統)

Item Part NO.	Description	中文名稱	Specification	Qty	Unit
1.00 MS 0103818	SOCKET HEAD CAP SCREW	六角穴圓頭螺絲	M8XP1.25XL20	3.00	EA
2.00 NL 00002340104	CV-8 DISTRIBUTOR	CV-8單一循環分配器	CV-8 入D6-出D6,3 HOLE,直接頭+三通	1.00	EA
3.00 MS 0103622	SOCKET HEAD CAP SCREW	六角穴圓頭螺絲	M6XP1.0XL40	2.00	EA
4.00 NL 00002340103	CV-61 DISTRIBUTOR	CV-61單一循環分配器(入-90°接頭)	CV-61(IN-D6,OUT-D4,5 HOLE)	1.00	EA
5.00 MS 0103622	SOCKET HEAD CAP SCREW	六角穴圓頭螺絲	M6XP1.0XL40	2.00	EA
6.00 NV 00077030244	NIPPLE, STRAIGHT	直接頭	PT1/8"XM8銅 - 管Φ4	5.00	EA
7.00 NV 00069660402	THIMBLE NUT, BRASS	單面套管	Φ4銅	5.00	EA
8.00 NV 00077031114	THIMBLE NUT, BRASS	單面套管帽	M8XΦ4.1	5.00	EA
9.00 MS 0103622	SOCKET HEAD CAP SCREW	六角穴圓頭螺絲	M6XP1.0XL40	2.00	EA
10.00 NL 00002340101	CV-6 DISTRIBUTOR	CV-6單一循環分配器	CV-6 入D6-出D6,2 HOLE,直接頭	1.00	EA
11.00 NV 00077030244	NIPPLE, STRAIGHT	直接頭	PT1/8"XM8銅 - 管Φ4	3.00	EA
12.00 NV 00069660402	THIMBLE NUT, BRASS	單面套管	Φ4銅	3.00	EA
13.00 NV 00077031114	THIMBLE NUT, BRASS	單面套管帽	M8XΦ4.1	3.00	EA
14.00 NL 00002340103	CV-61 DISTRIBUTOR	CV-61單一循環分配器(入-90°接頭)	CV-61(IN-D6,OUT-D4,5 HOLE)	1.00	EA
15.00 MS 0103622	SOCKET HEAD CAP SCREW	六角穴圓頭螺絲	M6XP1.0XL40	2.00	EA
16.00 NV 00077030244	NIPPLE, STRAIGHT	直接頭	PT1/8"XM8銅 - 管Φ4	5.00	EA
17.00 NV 00069660402	THIMBLE NUT, BRASS	單面套管	Φ4銅	5.00	EA
18.00 NV 00077031114	THIMBLE NUT, BRASS	單面套管帽	M8XΦ4.1	5.00	EA
19.00 NL 00002340103	CV-61 DISTRIBUTOR	CV-61單一循環分配器(入-90°接頭)	CV-61(IN-D6,OUT-D4,5 HOLE)	1.00	EA

PRODUCT BOM MASTER AND SUB-ITEMS LIST

Item	Part NO.	Description	中文名稱	Specification	Qty	Unit
20.00	MS 0103622	SOCKET HEAD CAP SCREW	六角六圓頭螺絲	M6XP1.0XL40	2.00	EA
21.00	NV 00077030244	NIPPLE, STRAIGHT	直接頭	PT 1/8"XM8銅 - 管Φ4	5.00	EA
22.00	NV 00069660402	THIMBLE NUT, BRASS	單面套管	Φ4銅	5.00	EA
23.00	NV 00077031114	THIMBLE NUT, BRASS	單面套管帽	M8XΦ4.1	5.00	EA
24.00	NL 00002340103	CV-61 DISTRIBUTOR	CV-61單一循環分配器(入-90°接頭)	CV-61(IN-D6,OUT-D4,5 HOLE)	1.00	EA
25.00	MS 0103622	SOCKET HEAD CAP SCREW	六角六圓頭螺絲	M6XP1.0XL40	2.00	EA
26.00	NV 00077030244	NIPPLE, STRAIGHT	直接頭	PT 1/8"XM8銅 - 管Φ4	5.00	EA
27.00	NV 00069660402	THIMBLE NUT, BRASS	單面套管	Φ4銅	5.00	EA
28.00	NV 00077031114	THIMBLE NUT, BRASS	單面套管帽	M8XΦ4.1	5.00	EA
29.00	NV 00070070609	NYLON TUBING, HIGH PRESSURE	超高壓尼龍油管	R200-02,M10XP1.0XL0.6MX2SIDE	1.00	EA
30.00	NV 00070070625	NYLON TUBING, HIGH PRESSURE	超高壓尼龍油管	R200-02,M10XP1.0XL1.8MX2端	1.00	EA
31.00	NL 00070070601	NYLON TUBING, HIGH PRESSURE	超高壓尼龍油管(外部加彈簧)	R200-02,M10XP1.0XL1.5MX2端+A	1.00	EA
32.00	FG 0007007HS03	NYLON TUBING, HIGH PRESSURE	超高壓尼龍油管	R200-02,M10XP1.0XL0.4MX2SIDE	1.00	EA
33.00	NV 00070070612	NYLON TUBING, HIGH PRESSURE	超高壓尼龍油管	R200-02,M10XP1.0XL1.0MX2端	1.00	EA
34.00	BL 00070070623	NYLON TUBING, HIGH PRESSURE	超高壓尼龍油管	R200-02,M10XP1.0XL1.35MX2SIDE	1.00	EA
35.00	NL 00070070602	NYLON TUBING, HIGH PRESSURE	超高壓尼龍油管(外部加彈簧)	R200-02,M10XP1.0XL1.6MX2端+A	1.00	EA
36.00	NV 00077031801	ELBOW, BRASS 90DEG MALE&FEMALE	直角接頭(銅)	PT 1/8"XM10(論興:GB00006M01T)	1.00	EA
37.00	NV 00069660401	THIMBLE, BRASS	套管	Φ6	1.00	EA
38.00	NV 00077031102	THIMBLE NUT, BRASS	套管帽	M10XΦ6.1	1.00	EA
39.00	NV 00077031215	BUSHING	卜申接頭(銅)	PT 1/4"MXPT1/8"F	1.00	EA
40.00	NV 00077031201	BUSHING, BRASS	卜申接頭(卜申+套管+套管帽)	PT 1/8XM10XP1	1.00	EA
41.00	NV 00077031215	BUSHING	卜申接頭(銅)	PT 1/4"MXPT1/8"F	1.00	EA

PRODUCT BOM MASTER AND SUB-ITEMS LIST

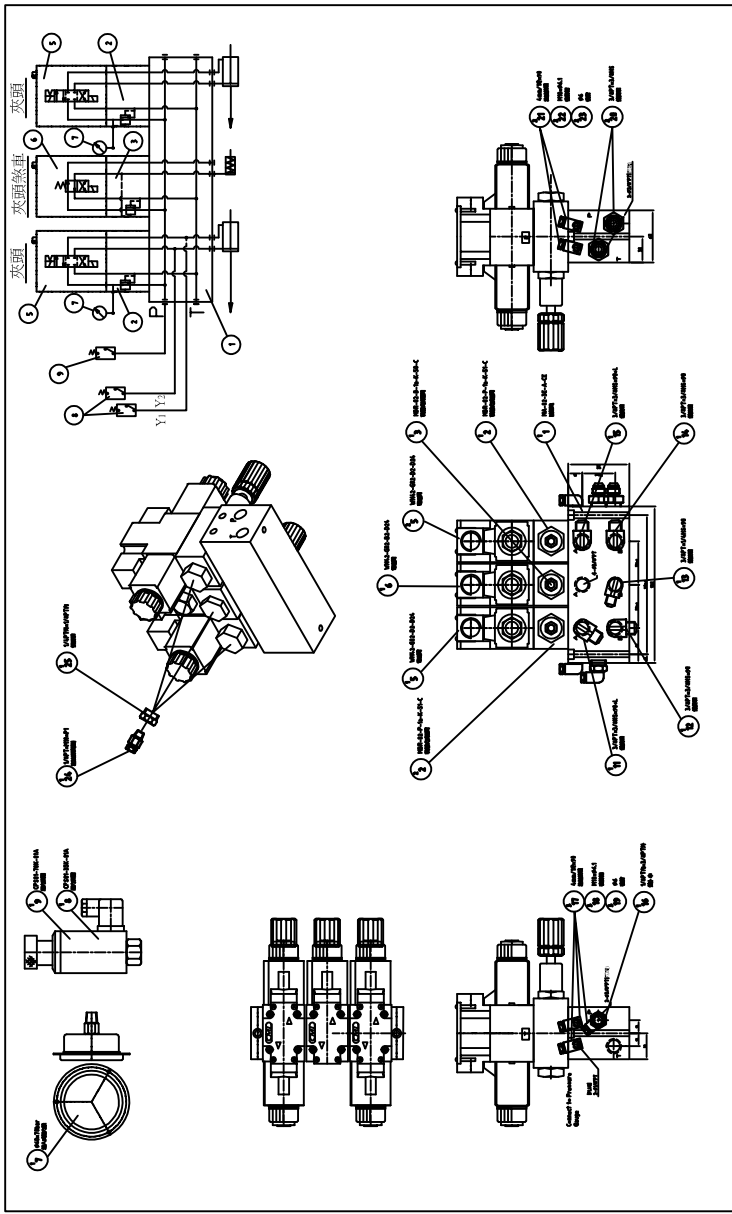
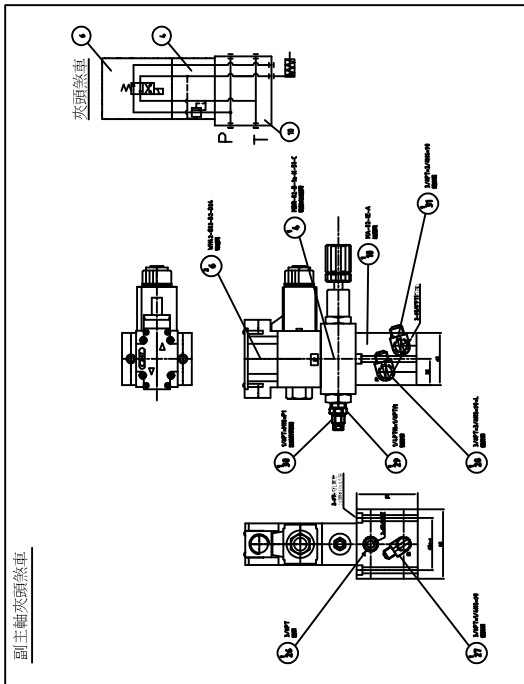
Item	Part NO.	Description	中文名稱	Specification	Qty	Unit
42.00	NV 00069660401	THIMBLE, BRASS	套管	Φ6	1.00	EA
43.00	NV 00077031102	THIMBLE NUT, BRASS	套管帽	M10XΦ6.1	1.00	EA
44.00	NV 00077031801	ELBOW, BRASS 90DEG MALE&FEMALE	直角接頭(銅)	PT1/8"XM10(論興:GB0006M01T)	2.00	EA
45.00	NV 00069660401	THIMBLE, BRASS	套管	Φ6	2.00	EA
46.00	NV 00077031102	THIMBLE NUT, BRASS	套管帽	M10XΦ6.1	2.00	EA
47.00	NV 00077031215	BUSHING	卜申接頭(銅)	PT1/4"MXPT1/8"F	2.00	EA
48.00	NV 00077031201	BUSHING, BRASS	卜申接頭(卜申+套管+套管帽)	PT1/8XM10XP1	2.00	EA
49.00	NV 00077031215	BUSHING	卜申接頭(銅)	PT1/4"MXPT1/8"F	2.00	EA
50.00	NV 00069660401	THIMBLE, BRASS	套管	Φ6	2.00	EA
51.00	NV 00077031102	THIMBLE NUT, BRASS	套管帽	M10XΦ6.1	2.00	EA
52.00	BL 00070070618	NYLON TUBING, HIGH PRESSURE	超高壓尼龍油管	R200-02,M10XP1.0XL1.2MX2端	1.00	EA

Chapter 6

油壓系統

HYDRAULIC UNIT

次序	設計變更紀錄	日期	ECN.
A	表斤系會	2017/06/01	1004.368
B	配合第2頁變更	2018/06/20	---
C	增力口規格/修/備品/米斗另虎	2019/04/18	33831



ITEM	DESCRIPTION	品名	SPECIFICATION	QTY	PART NUMBER
31	鑄接頭	3/8PT*3/8HS*90		1	CML MA-02-1E-A
30	注油接頭(組)	1/8PT*M10*PI		1	BL 00100590129
29	銅接頭	1/4PT*外*1/8PT內		4	CML CP801-35K-01-A
28	89AA03P03HLL	3/8PT*3/8HS*90+L		2	BL 00115270102
27	89AA03P02HL	3/8PT*1/4HS*90		2	FG 000304802
26	812003001	3/8PT		2	FG 000304801
25	銅接頭	1/4PT*外*1/8PT內		2	CML MBR-02-B1A-K-51-K-C
24	注油接頭(組)	1/8PT*M10*PI		1	BL 00100590122
23	套管	Φ6		2	CML MA-02-3E-A-CE
22	套管	M10*Φ6.1		3	
21	注油接頭	4mm/分*90		2	
20	89AA03P03H	3/8PT*3/8HS		2	
19	套管	Φ6		3	
18	套管	M10*Φ6.1		3	
17	注油接頭	4mm/分*90		3	
16	89AC03PJ01PS	1/8PT*3/8PT*外		1	
15	89AA03P03HLL	3/8PT*3/8HS*90+L		1	
14	89AA03P03HL	3/8PT*3/8HS*90		1	
13	89AA03P02HL	3/8PT*1/4HS*90		1	
12	89AA03P03HL	3/8PT*3/8HS*90		1	
11	89AA03P03HLL	3/8PT*3/8HS*90+L		1	
10	MANIFOLD BLOCK	MA-02-1E-A		1	
9	PRESSURE SWITCH	PS801-70K-01-A		1	
8	PRESSURE SWITCH	CP801-35K-01-A		4	
7	EMBEDDED PRESS. GAUGE	Φ60X70bar		2	
6	SOLENOID VALVE	WH42-G02-B2-D24		2	
5	SOLENOID VALVE	WH42-G02-D2-D24		2	
4	REDUCING VALVE	MBR-02-B1A-K-51-K-C		2	
3	REDUCING VALVE	MBR-02-B1A-K-50-K-C		1	
2	REDUCING VALVE	MBR-02-P1A-K-51-K-C		2	
1	MANIFOLD BLOCK	M1-02-3E-1-C-E		1	

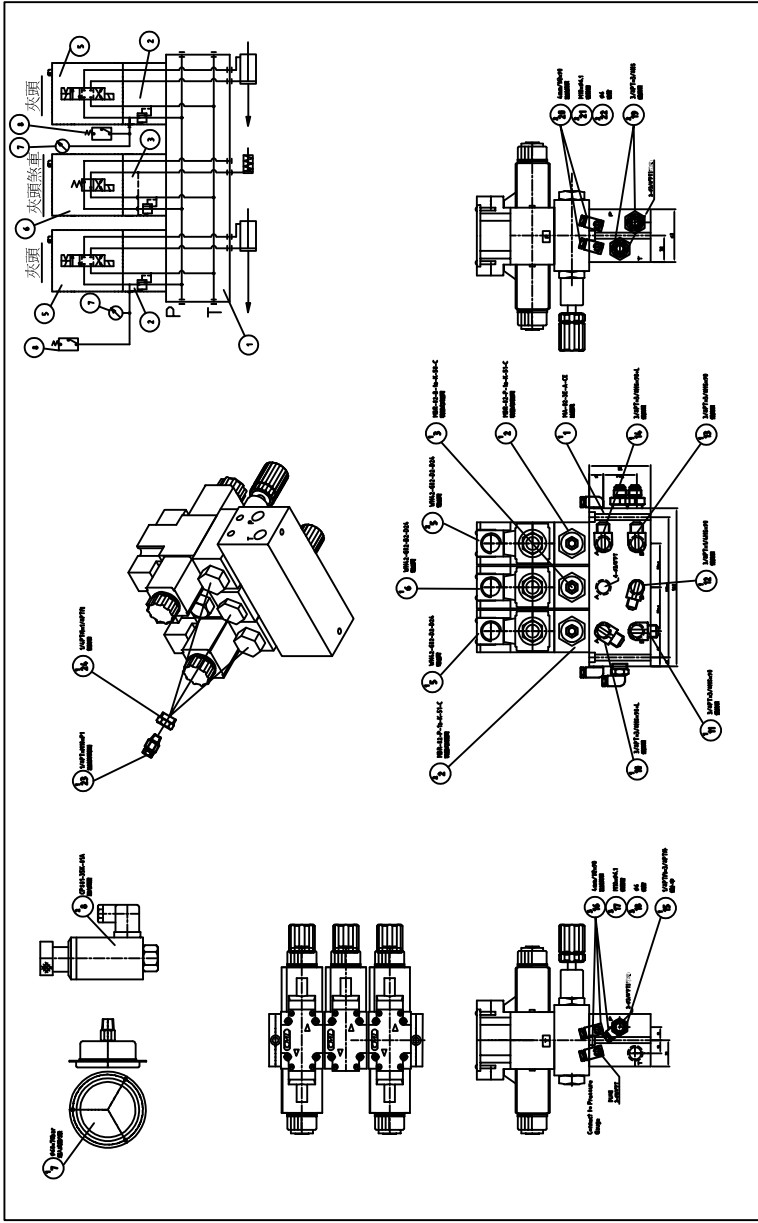
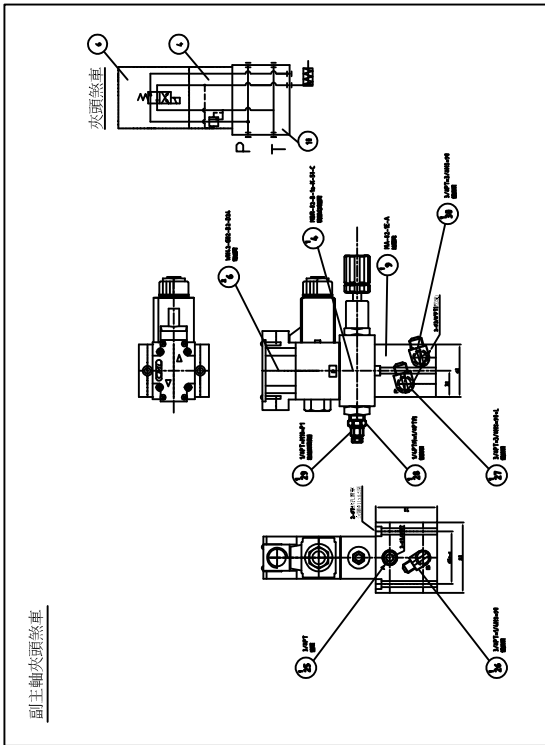
1	Talent 42/51MSY	數量	機型
柯蘭阿哈達國際科技(股)有限公司台灣分公司 HARDICE MACHINE TOOLS B.V. TAIWAN BRANCH			
圖面內資料請務必認準有管理師簽署， 未經許可禁止再製或修改			
件號		更改次序	
NLA000013302A		C	
圖號		圖號	
10F 2		NLA000013302A-A1	

比例	1:6	日期	2017/06/01	繪圖者	李和豐
單位:mm		審核	BY 陳清雲	校核	BY 許木源
表面粗糙度	Ra0.8	日期	2017/06/03	日期	2017/06/04
表面粗糙度	▽2.5	日期		日期	
表面粗糙度	▽3.5	日期		日期	
表面粗糙度	▽4.5	日期		日期	
表面粗糙度	▽5.5	日期		日期	
表面粗糙度	▽6.5	日期		日期	
表面粗糙度	▽7.5	日期		日期	
表面粗糙度	▽8.5	日期		日期	
表面粗糙度	▽9.5	日期		日期	
表面粗糙度	▽10.5	日期		日期	
表面粗糙度	▽11.5	日期		日期	
表面粗糙度	▽12.5	日期		日期	
表面粗糙度	▽13.5	日期		日期	
表面粗糙度	▽14.5	日期		日期	
表面粗糙度	▽15.5	日期		日期	
表面粗糙度	▽16.5	日期		日期	
表面粗糙度	▽17.5	日期		日期	
表面粗糙度	▽18.5	日期		日期	
表面粗糙度	▽19.5	日期		日期	
表面粗糙度	▽20.5	日期		日期	
表面粗糙度	▽21.5	日期		日期	
表面粗糙度	▽22.5	日期		日期	
表面粗糙度	▽23.5	日期		日期	
表面粗糙度	▽24.5	日期		日期	
表面粗糙度	▽25.5	日期		日期	
表面粗糙度	▽26.5	日期		日期	
表面粗糙度	▽27.5	日期		日期	
表面粗糙度	▽28.5	日期		日期	
表面粗糙度	▽29.5	日期		日期	
表面粗糙度	▽30.5	日期		日期	
表面粗糙度	▽31.5	日期		日期	
表面粗糙度	▽32.5	日期		日期	
表面粗糙度	▽33.5	日期		日期	
表面粗糙度	▽34.5	日期		日期	
表面粗糙度	▽35.5	日期		日期	
表面粗糙度	▽36.5	日期		日期	
表面粗糙度	▽37.5	日期		日期	
表面粗糙度	▽38.5	日期		日期	
表面粗糙度	▽39.5	日期		日期	
表面粗糙度	▽40.5	日期		日期	
表面粗糙度	▽41.5	日期		日期	
表面粗糙度	▽42.5	日期		日期	
表面粗糙度	▽43.5	日期		日期	
表面粗糙度	▽44.5	日期		日期	
表面粗糙度	▽45.5	日期		日期	
表面粗糙度	▽46.5	日期		日期	
表面粗糙度	▽47.5	日期		日期	
表面粗糙度	▽48.5	日期		日期	
表面粗糙度	▽49.5	日期		日期	
表面粗糙度	▽50.5	日期		日期	
表面粗糙度	▽51.5	日期		日期	
表面粗糙度	▽52.5	日期		日期	
表面粗糙度	▽53.5	日期		日期	
表面粗糙度	▽54.5	日期		日期	
表面粗糙度	▽55.5	日期		日期	
表面粗糙度	▽56.5	日期		日期	
表面粗糙度	▽57.5	日期		日期	
表面粗糙度	▽58.5	日期		日期	
表面粗糙度	▽59.5	日期		日期	
表面粗糙度	▽60.5	日期		日期	
表面粗糙度	▽61.5	日期		日期	
表面粗糙度	▽62.5	日期		日期	
表面粗糙度	▽63.5	日期		日期	
表面粗糙度	▽64.5	日期		日期	
表面粗糙度	▽65.5	日期		日期	
表面粗糙度	▽66.5	日期		日期	
表面粗糙度	▽67.5	日期		日期	
表面粗糙度	▽68.5	日期		日期	
表面粗糙度	▽69.5	日期		日期	
表面粗糙度	▽70.5	日期		日期	
表面粗糙度	▽71.5	日期		日期	
表面粗糙度	▽72.5	日期		日期	
表面粗糙度	▽73.5	日期		日期	
表面粗糙度	▽74.5	日期		日期	
表面粗糙度	▽75.5	日期		日期	
表面粗糙度	▽76.5	日期		日期	
表面粗糙度	▽77.5	日期		日期	
表面粗糙度	▽78.5	日期		日期	
表面粗糙度	▽79.5	日期		日期	
表面粗糙度	▽80.5	日期		日期	
表面粗糙度	▽81.5	日期		日期	
表面粗糙度	▽82.5	日期		日期	
表面粗糙度	▽83.5	日期		日期	
表面粗糙度	▽84.5	日期		日期	
表面粗糙度	▽85.5	日期		日期	
表面粗糙度	▽86.5	日期		日期	
表面粗糙度	▽87.5	日期		日期	
表面粗糙度	▽88.5	日期		日期	
表面粗糙度	▽89.5	日期		日期	
表面粗糙度	▽90.5	日期		日期	
表面粗糙度	▽91.5	日期		日期	
表面粗糙度	▽92.5	日期		日期	
表面粗糙度	▽93.5	日期		日期	
表面粗糙度	▽94.5	日期		日期	
表面粗糙度	▽95.5	日期		日期	
表面粗糙度	▽96.5	日期		日期	
表面粗糙度	▽97.5	日期		日期	
表面粗糙度	▽98.5	日期		日期	
表面粗糙度	▽99.5	日期		日期	
表面粗糙度	▽100.5	日期		日期	

材料	ASSM
材料	ASSM
表面粗糙度	▽0.8
表面粗糙度	▽2.5
表面粗糙度	▽3.5
表面粗糙度	▽4.5
表面粗糙度	▽5.5
表面粗糙度	▽6.5
表面粗糙度	▽7.5
表面粗糙度	▽8.5
表面粗糙度	▽9.5
表面粗糙度	▽10.5
表面粗糙度	▽11.5
表面粗糙度	▽12.5
表面粗糙度	▽13.5
表面粗糙度	▽14.5
表面粗糙度	▽15.5
表面粗糙度	▽16.5
表面粗糙度	▽17.5
表面粗糙度	▽18.5
表面粗糙度	▽19.5
表面粗糙度	▽20.5
表面粗糙度	▽21.5
表面粗糙度	▽22.5
表面粗糙度	▽23.5
表面粗糙度	▽24.5
表面粗糙度	▽25.5
表面粗糙度	▽26.5
表面粗糙度	▽27.5
表面粗糙度	▽28.5
表面粗糙度	▽29.5
表面粗糙度	▽30.5
表面粗糙度	▽31.5
表面粗糙度	▽32.5
表面粗糙度	▽33.5
表面粗糙度	▽34.5
表面粗糙度	▽35.5
表面粗糙度	▽36.5
表面粗糙度	▽37.5
表面粗糙度	▽38.5
表面粗糙度	▽39.5
表面粗糙度	▽40.5
表面粗糙度	▽41.5
表面粗糙度	▽42.5
表面粗糙度	▽43.5
表面粗糙度	▽44.5
表面粗糙度	▽45.5
表面粗糙度	▽46.5
表面粗糙度	▽47.5
表面粗糙度	▽48.5
表面粗糙度	▽49.5
表面粗糙度	▽50.5
表面粗糙度	▽51.5
表面粗糙度	▽52.5
表面粗糙度	▽53.5
表面粗糙度	▽54.5
表面粗糙度	▽55.5
表面粗糙度	▽56.5
表面粗糙度	▽57.5
表面粗糙度	▽58.5
表面粗糙度	▽59.5
表面粗糙度	▽60.5
表面粗糙度	▽61.5
表面粗糙度	▽62.5
表面粗糙度	▽63.5
表面粗糙度	▽64.5
表面粗糙度	▽65.5
表面粗糙度	▽66.5
表面粗糙度	▽67.5
表面粗糙度	▽68.5
表面粗糙度	▽69.5
表面粗糙度	▽70.5
表面粗糙度	▽71.5
表面粗糙度	▽72.5
表面粗糙度	▽73.5
表面粗糙度	▽74.5
表面粗糙度	▽75.5
表面粗糙度	▽76.5
表面粗糙度	▽77.5
表面粗糙度	▽78.5
表面粗糙度	▽79.5
表面粗糙度	▽80.5
表面粗糙度	▽81.5
表面粗糙度	▽82.5
表面粗糙度	▽83.5
表面粗糙度	▽84.5
表面粗糙度	▽85.5
表面粗糙度	▽86.5
表面粗糙度	▽87.5
表面粗糙度	▽88.5
表面粗糙度	▽89.5
表面粗糙度	▽90.5
表面粗糙度	▽91.5
表面粗糙度	▽92.5
表面粗糙度	▽93.5
表面粗糙度	▽94.5
表面粗糙度	▽95.5
表面粗糙度	▽96.5
表面粗糙度	▽97.5
表面粗糙度	▽98.5
表面粗糙度	▽99.5
表面粗糙度	▽100.5

中文: 電磁控制閥組 (富士自由 + CE)
英文: SOLENOID VALVE

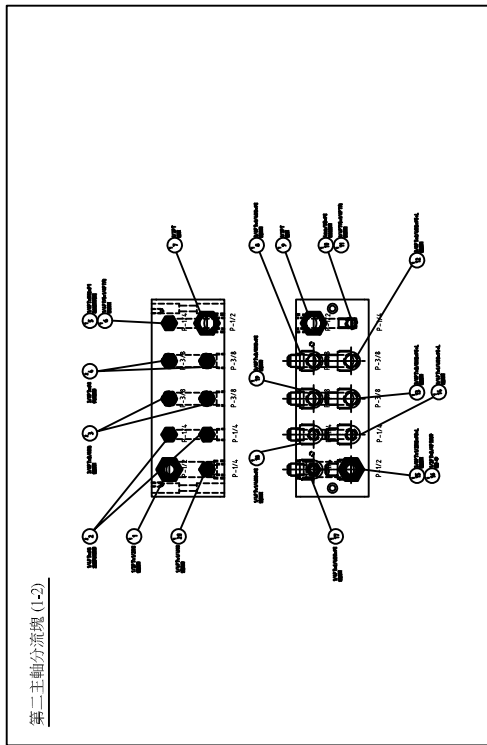
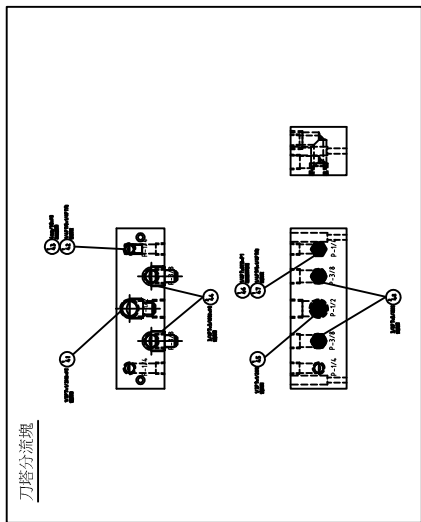
次序	設計變更紀錄		日期	ECN.
A	萊斤系會		2017/06/01	1004368
B	增加力矩維修精品米斗馬虎		2019/04/18	33831



ITEM	DESCRIPTION	品名	SPECIFICATION	QTY
30	89AA03P03HL	鐵接頭	3/8PT*3/8HS*90	1
29		注油接頭(組)	1/8PT*M10*P1	1
28		銅接頭	1/4PT*外*1/8PT*內	1
27	89AA03P03HLL	鐵接頭	3/8PT*3/8HS*90HL	1
26	89AA03P02HL	鐵接頭	3/8PT*1/4HS*90	1
25	812003001	塞頭	3/8PT	1
24		銅接頭	1/4PT*外*1/8PT*內	1
23		注油接頭(組)	1/8PT*M10*P1	1
22		塞管	φ6	2
21		塞管	M10*φ6.1	2
20		注油接頭	4mm/分*90	2
19	89AA03P03H	鐵接頭	3/8PT*3/8HS	2
18		塞管	φ6	3
17		塞管	M10*φ6.1	3
16		注油接頭	4mm/分*90	3
15	89AC03P01PS	鐵卜甲	1/8PT*3/8PT*外	1
14	89AA03P03HLL	鐵接頭	3/8PT*3/8HS*90HL	1
13	89AA03P03HL	鐵接頭	3/8PT*3/8HS*90	1
12	89AA03P02HL	鐵接頭	3/8PT*1/4HS*90	1
11	89AA03P03HL	鐵接頭	3/8PT*3/8HS*90	1
10	89AA03P03HL	鐵接頭	3/8PT*3/8HS*90HL	1
9	MANIFOLD BLOCK	油壓塊	MA-02-1E-A	1
8	PRESSURE SWITCH	壓力開關	CPST1-35K-01-A	2
7	EMBEDDED PRESS. GAUGE	埋入式壓力計	φ60x70bur BL 00118370102	2
6	SOLENOID VALVE	電磁閥	WH42-402-B2-D24	2
5	SOLENOID VALVE	電磁閥	WH42-402-D2-D24	2
4	REDUCING VALVE	精確式減壓閥	MBR-02-B1R-K51-K-C	1
3	REDUCING VALVE	精確式減壓閥	MBR-02-B1R-K50-K-C	1
2	REDUCING VALVE	精確式減壓閥	MBR-02-P1R-K51-C	2
1	MANIFOLD BLOCK	油壓塊	MA-02-3E-A-CE	1

比例 1:6 單位:mm 表面粗糙度 Ra 0.8 VV 2.5 (C) 不加工 未經特別註明 圖名	繪圖者 李永口 審核 蔡漢 BY 蔡漢清 日期 2017/06/01	日期 2017/06/01 審核 蔡漢 BY 蔡漢清 日期 2017/06/03	繪圖者 李永口 審核 蔡漢 BY 蔡漢清 日期 2017/06/01	何蘭南哈廷國際科技(股)有限公司台灣分公司 HARDING MACHINE TOOLS B.V., TAIWAN BRANCH
	材質 ASSM 零件 ASSM 表面處理 HRC() 表面處理 HRC() 表面處理 HRC() 表面處理 HRC() 表面處理 HRC() 表面處理 HRC()	圖面內資料皆為哈廷業者智權財產, 未經許可禁止複製製造	件號 NLA00013312A 頁數 1 OF 2 圖號 NLA000013312A-A1	更改次序 B

設計變更紀錄		日期	ECN.
次序	牽行系會	2017/06/01	1004368
A	增加力口維/修/備品-米斗別處	2019/04/18	33831



ITEM	DESCRIPTION	名	SPECIFICATION	QTY
48	89AA03P03H	鑄接頭	3/8PT*3/8HS	2
47		銅接頭	1/4PT*1/8PT內	1
46		注油接頭(組)	1/8PT*1/10PT	1
45	89AA04P04H	鑄接頭	1/2PT*1/2HS	1
44	89AA03P03HL	鑄接頭	3/8PT*3/8HS*90	2
43		注油接頭	4mm/1分*90	1
42		銅接頭	1/4PT外*1/8PT內	1
41	89AA04P04HL	鑄接頭	1/2PT*1/2HS*90	1
40	89AA03P02HL	鑄接頭	3/8PT*1/4HS*90	1
39	89AA03P03HL	鑄接頭	3/8PT*3/8HS*90	1
38	89AA02P02HL	鑄接頭	1/4PT*1/4HS*90	1
37		注油接頭(組)	1/8PT*1/10PT	1
36		銅接頭	1/4PT*1/8PT內	1
35		注油接頭	4mm/1分*90	1
34		銅接頭	1/4PT外*1/8PT內	1
33	81C2004001	螺頭	1/2PT	1
32		鑄接頭	1/4PT*1/4HS*90-L	1
31	89AA03P03HLL	鑄接頭	3/8PT*3/8HS*90-L	1
30	89AA03P02HLL	鑄接頭	3/8PT*1/4HS*90-L	1
29		鑄接頭	3/8PT*1/4PT外	1
28	89AA03P04HLL	鑄接頭	3/8PT*1/2HS*90-L	1
27	89AA04P02HL	鑄接頭	1/2PT*1/4HS*90	1
26	89AA04P02H	鑄接頭	1/2PT*1/4HS	1
25	89AA02P04H	鑄接頭	1/4PT*1/2HS	1
24		快拆接頭	3/8PT*φ8	2
23	89AA03P03H	鑄接頭	3/8PT*3/8HS	2
22		快拆接頭	1/4PT*φ6	2
21	81C2004001	螺頭	1/2PT	1
20	89AA02P02H	鑄接頭	1/4PT*1/4HS	1
19	89AA03P03HL	鑄接頭	3/8PT*3/8HS*90	1
18	89AA02P02HL	鑄接頭	1/4PT*1/4HS*90	1
17	89AA02P02HL	鑄接頭	1/4PT*1/4HS*90	1
16	189AC04P003PS	螺頭	1/2PT*3/8PT內牙	1
15	89AA03P04HLL	鑄接頭	3/8PT*1/2HS*90-L	1
14		鑄接頭	1/4PT*1/4HS*90-L	1
13	89AA03P03HLL	鑄接頭	3/8PT*3/8HS*90-L	1
12	89AA03P02HLL	鑄接頭	3/8PT*1/4HS*90-L	1
11		銅接頭	1/4PT外*1/8PT內	1
10		注油接頭	4mm/1分*90	1
9	81C2004001	螺頭	1/2PT	1
8	89AA03P02HL	鑄接頭	3/8PT*1/4HS*90	1
7	81C2004001	螺頭	1/2PT	1
6		銅接頭	1/4PT外*1/8PT內	1
5		注油接頭(組)	1/8PT*1/10PT	1
4		快拆接頭	3/8PT*φ8	2
3	89AA03P03H	鑄接頭	3/8PT*3/8HS	2
2		快拆接頭	1/4PT*φ8	2
1	89AA04P04H	鑄接頭	1/2PT*1/2HS	1

未註明一般公差	mm	±1.0
未註明一般公差	mm	±0.8
未註明一般公差	mm	±1.2
未註明一般公差	mm	±0.3

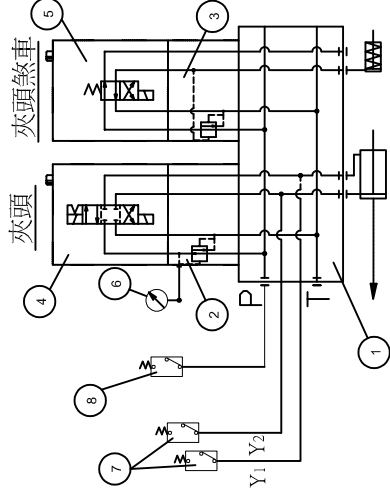
材料	ASSM
單位:mm	表面粗糙 Ra0.8
未註明特長	XXXXXXX

比例	1:6
日期	2017/06/01
數量	1

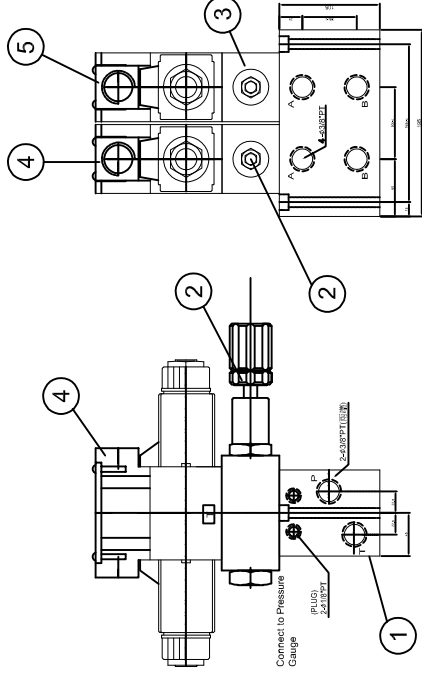
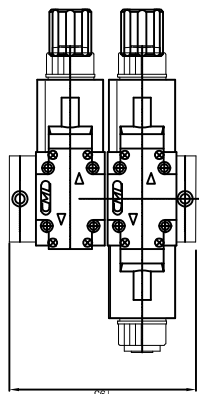
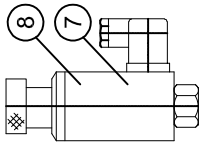
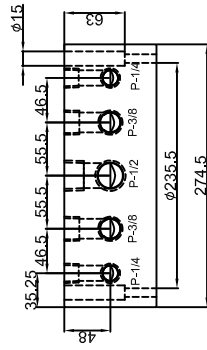
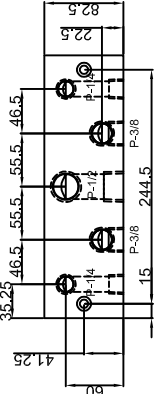
編者	李和興
日期	2017/06/01
日期	2017/06/03

柯蘭商哈廷國際科技(股)有限公司台灣分公司	HARRING MACHINE TOOLS B.V. TAIWAN BRANCH
圖號	NLA00013312A
頁數	2 OF 2

數量	1
機型	Talent 42/51MSY

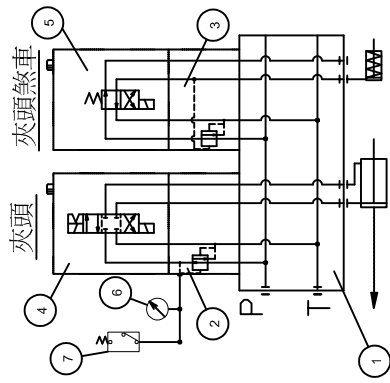


⑨ 刀塔分流塊

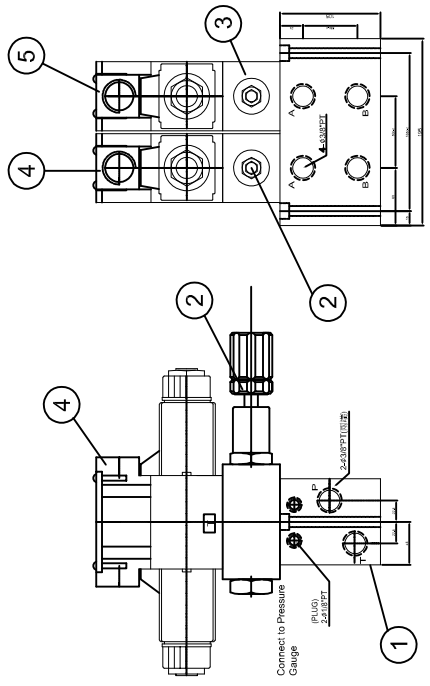
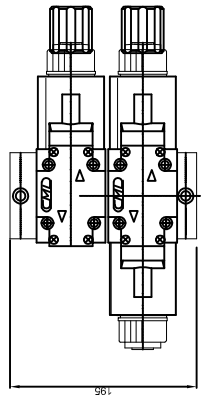
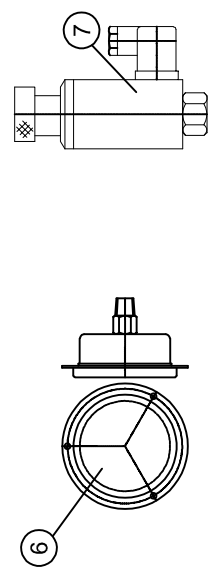
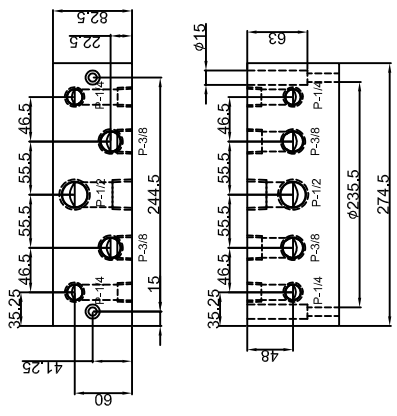


客戶名稱 哈廷國際科技股份有限公司 比例:1/6
 製造商 全懋精機股份有限公司 日期:2015/12/21

ITEM	DESCRIPTION	品名	SPECIFICATION	QTY	PART NUMBER
9	MANIFOLD BLOCK	刀塔分流塊	55*64*183	1	CML 55X64X183
8	PRESSURE SWITCH	壓力開關	CPS01-70K-01-A	1	BL 00100590129
7	PRESSURE SWITCH	壓力開關	CPS01-35K-01-A	2	CML CPS01-35K-01-A
6	EMBEDD PRESS. GAUGE	埋入式壓力計	Ø60x70bar	1	BL 00115370102
5	SOLENOID VALVE	電磁閥	WH42-G02-B2-D24	1	FG 000304802
4	SOLENOID VALVE	電磁閥	WH42-G02-D2-D24	1	FG 000304801
3	REDUCING VALVE	積層式減壓閥	MBR-02-B-1a-K-50-C	1	BL 00100590140
2	REDUCING VALVE	積層式減壓閥	MBR-02-P-1a-K-51-C	1	BL 00100590122
1	MANIFOLD BLOCK	油壓塊	MA-02-3E-CF	1	BL 00029170417



8 刀塔分流塊

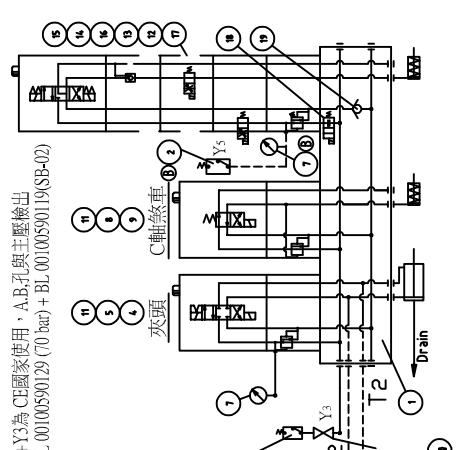


ITEM	DESCRIPTION	品名	SPECIFICATION	QTY	PART NUMBER
8	MANIFOLD BLOCK	刀塔分流塊	55*64*183	1	CML 55X64X183
7	PRESSURE SWITCH	壓力開關	CPS01-35K-01-A	1	CML CPS01-35K-01-A
6	EMBEDDED PRESS. GAUGE	埋入式壓力計	Φ60X70bar	1	BL 00115570102
5	SOLENOID VALVE	電磁閥	WH42-G02-B2-D24	1	FG 000304802
4	SOLENOID VALVE	電磁閥	WH42-G02-D2-D24	1	FG 000304801
3	REDUCING VALVE	積層式減壓閥	MBR-02-P-1a-K-50-C	1	BL 00100590140
2	REDUCING VALVE	積層式減壓閥	MBR-02-P-1a-K-51-C	1	BL 00100590122
1	MANIFOLD BLOCK	油壓塊	MA-02-2E-CE	1	BL 00029170417

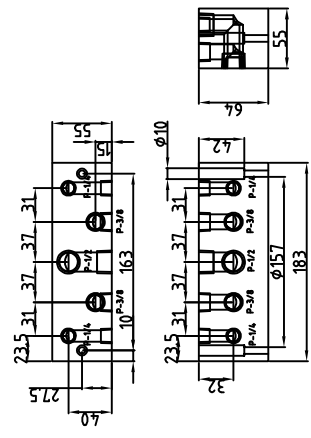
客戶名稱	哈廷國際科技股份有限公司	比例: 1/6
製造商	全懋精機股份有限公司	日期: 2015/12/21

設計變更紀錄			
次序	內容	日期	ECN
A	首次發貨	2016/12/20	---
B	品質改善 更換品類(2壓力開關數原本4只, 改為3只, 新增力可維(修)備品料虎	2018/04/10	1004549
C		2019/4/18	33831

Note: Y1+Y2+Y3為CE國家使用, A,B孔與主壓輸出
Y3: BL 00100590129 (70 bar) + BL 00100590119(SB-02)



⑳ 刀塔分流塊



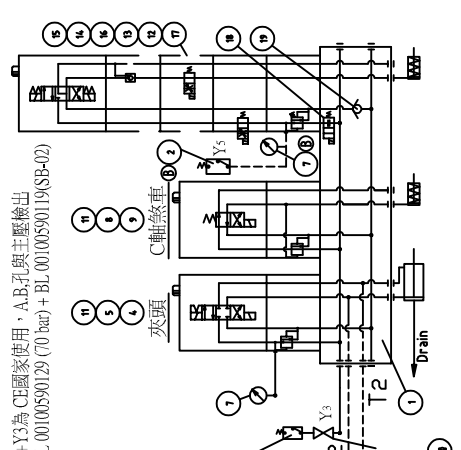
- ① 01010006 品類CP80-S15CA 壓力開關與 MBR-02P-2K-S1-C 件圖號改為 06070hr
- ② 01010006 品類CP80-S15CA 壓力開關與 MBR-02P-2K-S1-C 件圖號改為 06070hr
- ③ 01010006 品類CP80-S15CA 壓力開關與 MBR-02P-2K-S1-C 件圖號改為 06070hr
- ④ 01010006 品類CP80-S15CA 壓力開關與 MBR-02P-2K-S1-C 件圖號改為 06070hr
- ⑤ 01010006 品類CP80-S15CA 壓力開關與 MBR-02P-2K-S1-C 件圖號改為 06070hr
- ⑥ 01010006 品類CP80-S15CA 壓力開關與 MBR-02P-2K-S1-C 件圖號改為 06070hr

ITEM	DESCRIPTION	單位	名稱	數量	PART NUMBER
19	BLOCK VALVE	1	分裝組	1	CML 455364N1B3
18	SOLENOID CHECK VALVE	1	彈簧式止回閥	1	NL 0010060010
17	REDUCING VALVE	1	減壓式減壓閥	1	MER02P-2K-S1-C
16	MODULAR PILOT CHECK VALVE	1	彈簧式止回閥	1	CML MBR-02P-2K-S1-C
15	SOCKET HEAD CAP SCREW	4	六角螺絲	4	BL 00100590106
14	SOLENOID VALVE	1	電磁閥	1	WH4-S-G02-C4-D24
13	SOLENOID VALVE	1	電磁式直流閥	1	WH4-S-G02-B-K-D24N
12	SOLENOID VALVE	1	電磁式直流閥	1	MST-02P-K-D24N
11	SOCKET HEAD CAP SCREW	8	六角螺絲	8	CML MST-02P-K-D24N
10	GAUGE DAMPER	1	壓力計緩衝器	1	SBS-02
9	REDUCING VALVE	1	彈簧式減壓閥	1	WH4Z-G02-B-K-K8-C
8	SOLENOID VALVE	1	電磁閥	1	WH4Z-G02-B2-D24
7	EMBEDDED PRESS. GAUGE	2	彈簧式壓力計	2	PG 00070hr
6	EMBEDDED PRESS. GAUGE	1	彈簧式壓力計	1	PG 00070hr
5	SOLENOID VALVE	1	電磁閥	1	WH4Z-G02-D2-D24
4	REDUCING VALVE	1	彈簧式減壓閥	1	WH4Z-G02-B-K-K8-C
3	PRESSURE SWITCH	1	彈簧式壓力開關	1	CP80T-70K0H-A
2	PRESSURE SWITCH	3	彈簧式壓力開關	3	CP80T-35K0H-A
1	MANIFOLD BLOCK	1	夾頭配線塊	1	CML CPSU-3SK-01-A

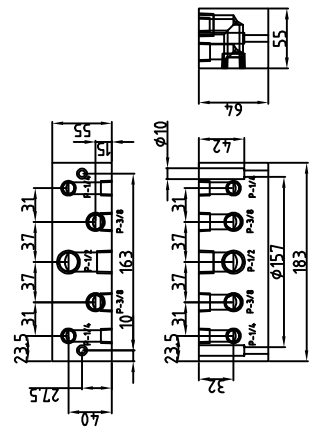
註:請將前備列此新組的品類號改為19零件之品號

設計變更紀錄			
次序	內容	日期	ECN
A	首次發貨	2016/12/20	---
B	品質改善 更換品類(2壓力開關數原本4只, 改為3只, 新增力可維(修)備品料虎	2018/04/10	1004549
C		2019/4/18	33831

Note: Y1+Y2+Y3為CE國家使用, A,B孔與主壓輸出
Y3: BL 00100590129 (70 bar) + BL 00100590119(SB-02)



⑳ 刀塔分流塊



- ① 01010006 品類CP80-S15CA 壓力開關與 MBR-02P-2K-S1-C 件圖號改為 06070hr
- ② 01010006 品類CP80-S15CA 壓力開關與 MBR-02P-2K-S1-C 件圖號改為 06070hr
- ③ 01010006 品類CP80-S15CA 壓力開關與 MBR-02P-2K-S1-C 件圖號改為 06070hr
- ④ 01010006 品類CP80-S15CA 壓力開關與 MBR-02P-2K-S1-C 件圖號改為 06070hr
- ⑤ 01010006 品類CP80-S15CA 壓力開關與 MBR-02P-2K-S1-C 件圖號改為 06070hr
- ⑥ 01010006 品類CP80-S15CA 壓力開關與 MBR-02P-2K-S1-C 件圖號改為 06070hr

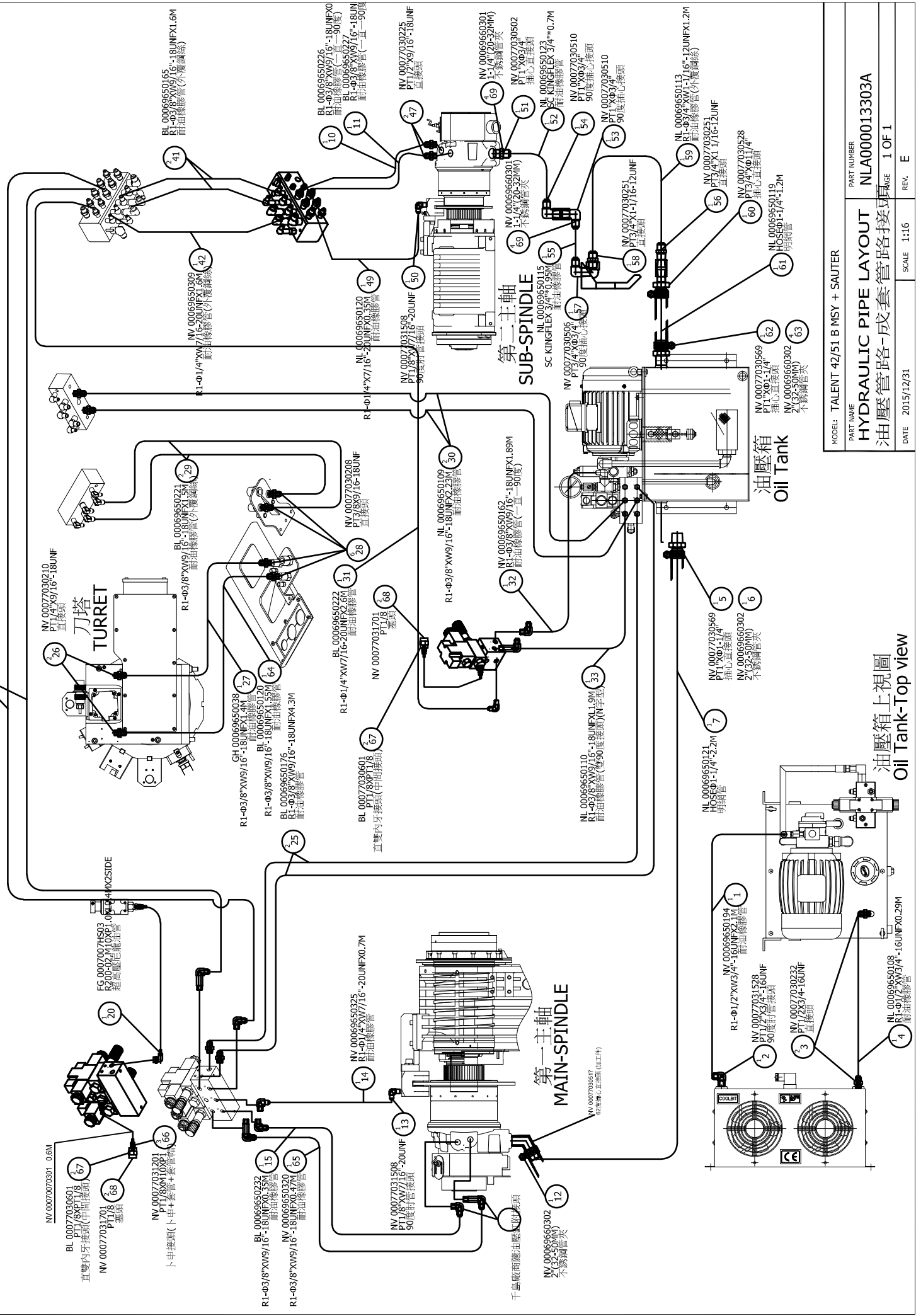
ITEM	DESCRIPTION	單位	名稱	數量	PART NUMBER
19	BLOCK VALVE	1	分裝組	1	CML 455364N1B3
18	SOLENOID CHECK VALVE	1	彈簧式止回閥	1	NL 0010060010
17	REDUCING VALVE	1	減壓式減壓閥	1	MER02P-2K-S1-C
16	MODULAR PILOT CHECK VALVE	1	彈簧式止回閥	1	CML MBR-02P-2K-S1-C
15	SOCKET HEAD CAP SCREW	4	六角螺絲	4	BL 00100590106
14	SOLENOID VALVE	1	電磁閥	1	WH4-S-G02-C4-D24
13	SOLENOID VALVE	1	電磁式直流閥	1	WH4-S-G02-B-K-D24N
12	SOLENOID VALVE	1	電磁式直流閥	1	MST-02P-K-D24N
11	SOCKET HEAD CAP SCREW	8	六角螺絲	8	CML MST-02P-K-D24N
10	GAUGE DAMPER	1	壓力計緩衝器	1	SBS-02
9	REDUCING VALVE	1	彈簧式減壓閥	1	WH4Z-G02-B-K-K8-C
8	SOLENOID VALVE	1	電磁閥	1	WH4Z-G02-B2-D24
7	EMBEDDED PRESS. GAUGE	2	彈簧式壓力計	2	PG 00070hr
6	EMBEDDED PRESS. GAUGE	1	彈簧式壓力計	1	PG 00070hr
5	SOLENOID VALVE	1	電磁閥	1	WH4Z-G02-D2-D24
4	REDUCING VALVE	1	彈簧式減壓閥	1	WH4Z-G02-B-K-K8-C
3	PRESSURE SWITCH	1	彈簧式壓力開關	1	CP80T-70K0H-A
2	PRESSURE SWITCH	3	彈簧式壓力開關	3	CP80T-35K0H-A
1	MANIFOLD BLOCK	1	夾頭配線塊	1	CML CPSU-3SK-01-A

註:請將前備列此新組的品類號改為19零件之品號

比例 1:6				日期 2016/12/20		繪圖者 曾炯成		荷蘭商哈達國際科技(股)有限公司台灣分公司 HARDICE MACHINE TOOLS S.V. TAINAN BRANCH				
單位:mm				BY 陳清貴		BY 林慶洋		圖面內資料皆為哈達現有智慧財產權, 未經許可禁止擅自複製				
未註明一般公差				公差		公差		件號 NL 000013320A				
總長	6	0.05	0.1	0.2					圖號 NL 000013320A-A1			
6	30	0.1	0.2	0.5				頁數 1 of 1				
	6	0.1	0.2	0.5						圖號 NL 000013320A-A1		
	30	0.15	0.3	0.8							圖號 NL 000013320A-A1	
	120	0.3	0.5	1.2								圖號 NL 000013320A-A1
	315	0.5	0.8	2.0					圖號 NL 000013320A-A1			
	1000	0.8	1.2	3.0				圖號 NL 000013320A-A1				
	2000	1.2	2.0	5.0						圖號 NL 000013320A-A1		
板金彎折角度公差	±1.0°											
板金彎折尺寸公差	±0.1mm											
螺絲尺寸公差	±0.2mm											
未註明孔距公差	±0.3											
未註明倒角	R0.5											

C	試製機油路系統外圍油路系統圖	2017/12/21	1004475	REV	DESCRIPTION	DATE	EDN.
D	修改#14長度由1M->0.2M	2018/10/11	1004624	A	零件參數	2017/1/23	1004231
E	零件增平編號	2019/01/18	338330	B	二主軸迴轉筒(AB)對調	2017/5/8	1004388
				B	增加油路迴轉筒對調後油路系統圖	2017/5/17	1004388

GH_0006950014	零件參數	2017/03/20	1004475	REV	DESCRIPTION	DATE	EDN.
R1-03/8"XW9/16"-18UNFX7.6M	油路接頭	2017/03/20	1004475	A	零件參數	2017/1/23	1004231
				B	二主軸迴轉筒(AB)對調	2017/5/8	1004388
				B	增加油路迴轉筒對調後油路系統圖	2017/5/17	1004388



MODEL:	TALENT 42/51 B MSY + SAUTER
PART NAME:	HYDRAULIC PIPE LAYOUT
PART NUMBER:	NLA00013303A
油壓管路-成套管路接頭	
PAGE:	1 OF 1
DATE:	2015/12/31
SCALE:	1:16
REV:	E

油壓箱上視圖
Oil Tank-Top view

PRODUCT BOM MASTER AND SUB-ITEMS LIST

Master Item Part NO.: NLA000013303A

Description: HYDRAULIC HOSE&FITTING
油壓管路

Item Part NO.	Description	中文名稱	Specification	Qty	Unit
1.00	NV 00069650194 HOSE, FLEXIBLE HYDRAULIC	耐油橡膠管2.1M	R1-Φ1/2"XW3/4"-16UNFX2.1M	1.00	EA
2.00	NV 00077031528 ELBOW, 90 DEG MALE	90度肘管接頭	PT1/2"(MALE)X3/4"-16UNF(MALE)	1.00	EA
3.00	NV 00077030232 NIPPLE, STRAIGHT	直接頭	PT1/2X3/4-16UNF	2.00	EA
4.00	NL 00069650108 HOSE, FLEXIBLE HYDRAULIC	耐油橡膠管	R1-Φ1/2"XW3/4"-16UNFX0.29M	1.00	EA
5.00	NV 00077030569 CONNECTOR	插心直接頭	PT1"XΦ1-1/4"	1.00	EA
6.00	NV 00069660302 CLAMP, HOSE	不銹鋼管夾	2"(32-50MM)	1.00	EA
7.01	NL 00069650121 HOSE WITH FIBER	明網管	HOSEΦ1-1/4"X2.2M	1.00	MT
10.00	BL 00069650226 HOSE, FLEXIBLE HYDRAULIC	耐油橡膠管(一直一90度)	R1-Φ3/8"XW9/16"-18UNFX0.35M	1.00	EA
11.00	BL 00069650227 HOSE, FLEXIBLE HYDRAULIC	耐油橡膠管(一直一90度)	R1-Φ3/8"XW9/16"-18UNFX0.38M	1.00	EA
12.00	NV 00069660302 CLAMP, HOSE	不銹鋼管夾	2"(32-50MM)	1.00	EA
13.00	NV 00077031508 ELBOW, 90 DEG MALE	90度肘管接頭	PT1/8"(MALE)XW7/16"-20UNF(MALE)	1.00	EA
14.02	NV 00069650325 HOSE, FLEXIBLE HYDRAULIC	耐油橡膠管	R1-Φ1/4"XW7/16"-20UNFX0.7M	1.00	EA
15.00	BL 00069650232 HOSE, FLEXIBLE HYDRAULIC	耐油橡膠管	R1-Φ3/8"XW9/16"-18UNFX0.35M	1.00	EA
20.02	FG 0007007HS03 NYLON TUBING, HIGH PRESSURE	超高壓尼龍油管	R200-02,M10XP1.0XL0.4MX2SIDE	1.00	EA
24.00	GH 00069650014 HOSE, FLEXIBLE HYDRAULIC	耐油橡膠管	R1-Φ3/8"XW9/16"-18UNFX7.6M	2.00	EA
25.00	BL 00069650176 HOSE, FLEXIBLE HYDRAULIC	耐油橡膠管	R1-Φ3/8"XW9/16"-18UNFX4.3M	2.00	EA
26.00	NV 00077030210 NIPPLE, STRAIGHT	直接頭	PT1/4"X9/16"-18UNF	2.00	EA
27.00	GH 00069650038 HOSE, FLEXIBLE HYDRAULIC	耐油橡膠管	R1-Φ3/8"XW9/16"-18UNFX1.4M	1.00	EA
29.00	BL 00069650221 HOSE, FLEXIBLE HYDRAULIC	耐油橡膠管(外覆鋼絲)	R1-Φ3/8"XW9/16"-18UNFX1.5M	2.00	EA

PRODUCT BOM MASTER AND SUB-ITEMS LIST

Item	Part NO.	Description	中文名稱	Specification	Qty	Unit
30.00	NL 00069650109	HOSE, FLEXIBLE HYDRAULIC	耐油橡膠管	R1-Φ3/8"XW9/16"-18UNFX2.23M	2.00	EA
31.00	BL 00069650222	HOSE, FLEXIBLE HYDRAULIC	耐油橡膠管	R1-Φ1/4"XW7/16"-20UNFX2.6M	1.00	EA
32.00	NV 00069650162	HOSE, FLEXIBLE HYDRAULIC	耐油橡膠管(一直一90度)	R1-Φ3/8"XW9/16"-18UNFX1.89M	1.00	EA
33.00	NL 00069650110	HOSE, FLEXIBLE HYDRAULIC	耐油橡膠管(雙90度接頭)(N字型)	R1-Φ3/8"XW9/16"-18UNFXL1.9M	1.00	EA
41.00	BL 00069650165	HOSE, FLEXIBLE HYDRAULIC	耐油橡膠管(外覆鋼絲)	R1-Φ3/8"XW9/16"-18UNFX1.6M	2.00	EA
42.00	NV 00069650309	HOSE, FLEXIBLE HYDRAULIC	耐油橡膠管(外覆鋼絲)	R1-Φ1/4"XW7/16"-20UNFX1.6M	1.00	EA
47.00	NV 00077030225	NIPPLE, STRAIGHT	直接頭	PT1/2"X9/16"-18UNF	2.00	EA
49.00	NL 00069650120	HOSE, FLEXIBLE HYDRAULIC	耐油橡膠管	R1-Φ1/4"X7/16"-20UNFX0.35M	1.00	EA
50.00	NV 00077031508	ELBOW, 90 DEG MALE	90度肘管接頭	PT1/8"(MALE)XW7/16"-20UNF(MALE)	1.00	EA
51.01	NV 00077030502	CONNECTOR	插心直接頭	PT1"XΦ3/4"	1.00	EA
52.01	NL 00069650123	HOSE, FLEXIBLE HYDRAULIC	耐油橡膠管	SC KINGFLEX 3/4"*0.7M	1.00	EA
53.00	NV 00077030510	CONNECTOR, 90 DEGREE	90度插心接頭	PT1"XΦ3/4"	1.00	EA
54.01	NV 00077030510	CONNECTOR, 90 DEGREE	90度插心接頭	PT1"XΦ3/4"	1.00	EA
55.00	NL 00069650115	HOSE, FLEXIBLE HYDRAULIC	耐油橡膠管	SC KINGFLEX 3/4"*0.95M	1.00	EA
56.00	NV 00077030251	CONNECTOR	直接頭	PT3/4"X1 1/16-12UNF	1.00	EA
57.00	NV 00077030506	CONNECTOR, 90 DEGREE	90度插心接頭	PT3/4"XΦ3/4"	1.00	EA
58.00	NV 00077030251	CONNECTOR	直接頭	PT3/4"X1 1/16-12UNF	1.00	EA
59.00	NL 00069650113	HOSE, FLEXIBLE HYDRAULIC	耐油橡膠管(外覆鋼絲)	R1-Φ3/4"XW1-1/16"-12UNFX1.2M	1.00	EA
60.00	NV 00077030528	CONNECTOR	插心直接頭	PT3/4"XΦ11/4"	1.00	EA
61.00	NL 00069650119	HOSE WITH FIBER	明網管	HOSEΦ1-1/4"X1.2M	1.00	MT
62.00	NV 00077030569	CONNECTOR	插心直接頭	PT1"XΦ1-1/4"	1.00	EA
63.00	NV 00069660302	CLAMP, HOSE	不銹鋼管夾	2"(32-50MM)	4.00	EA

PRODUCT BOM MASTER AND SUB-ITEMS LIST

Item	Part NO.	Description	中文名稱	Specification	Qty	Unit
64.00	BL 00069650120	HOSE, FLEXIBLE HYDRAULIC	耐油橡膠管	R1-Φ3/8"XW9/16"-18UNFX1.55M	1.00	EA
65.00	NV 00069650320	HOSE, FLEXIBLE HYDRAULIC	耐油橡膠管	R1-Φ3/8"XW9/16"-18UNFX0.47M	1.00	EA
66.00	NV 00077031201	BUSHING, BRASS	卜申接頭(卜申+套管+套管帽)	PT1/8XM10XP1	3.00	EA
67.00	BL 00077030601	UNION	直雙內牙接頭(中間接頭)	PT1/8XPT1/8	2.00	EA
68.00	NV 00077031701	PLUG, SOCKET HEX.	塞頭	PT1/8	2.00	EA
69.00	NV 00069660301	CLAMP, HOSE	不銹鋼管夾	1 1/4"(20-32MM)	4.00	EA

BL 00070070301
D6XD3
尼龍油管(耐壓80BAR)

2
0.4M

BL 00070070301
D6XD3
尼龍油管(耐壓80BAR)

2
0.3M

NV 00077030603
PT1/4XPT1/8
直雙內牙接頭

2
5

NV 00077031215
PT1/4"MXPT1/8"F
卜申接頭(銅)

2
4

NV 00077031201
PT1/8XM10XP1
卜申接頭(卜申+套管+套管帽)

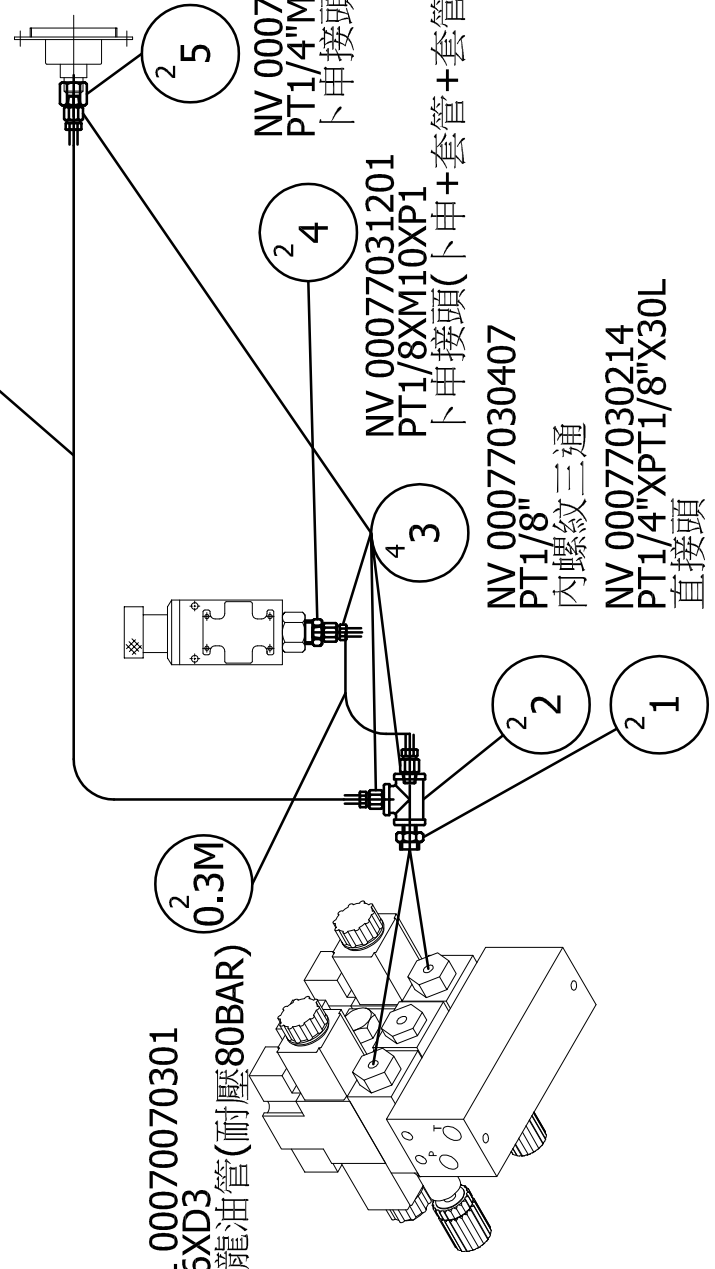
4
3

NV 00077030407
PT1/8"
內螺紋三通

2
2

NV 00077030214
PT1/4"XPT1/8"X30L
直接頭

2
1



MODEL: TALENT 42/51 B MSY	
PART NAME	PART NUMBER
HYDRAULIC PIPE LAYOUT	NL 00013307A
油壓管路-成套管路接頭	PAGE 1 OF 1
DATE 2015/9/12	SCALE 1:6
	REV. A

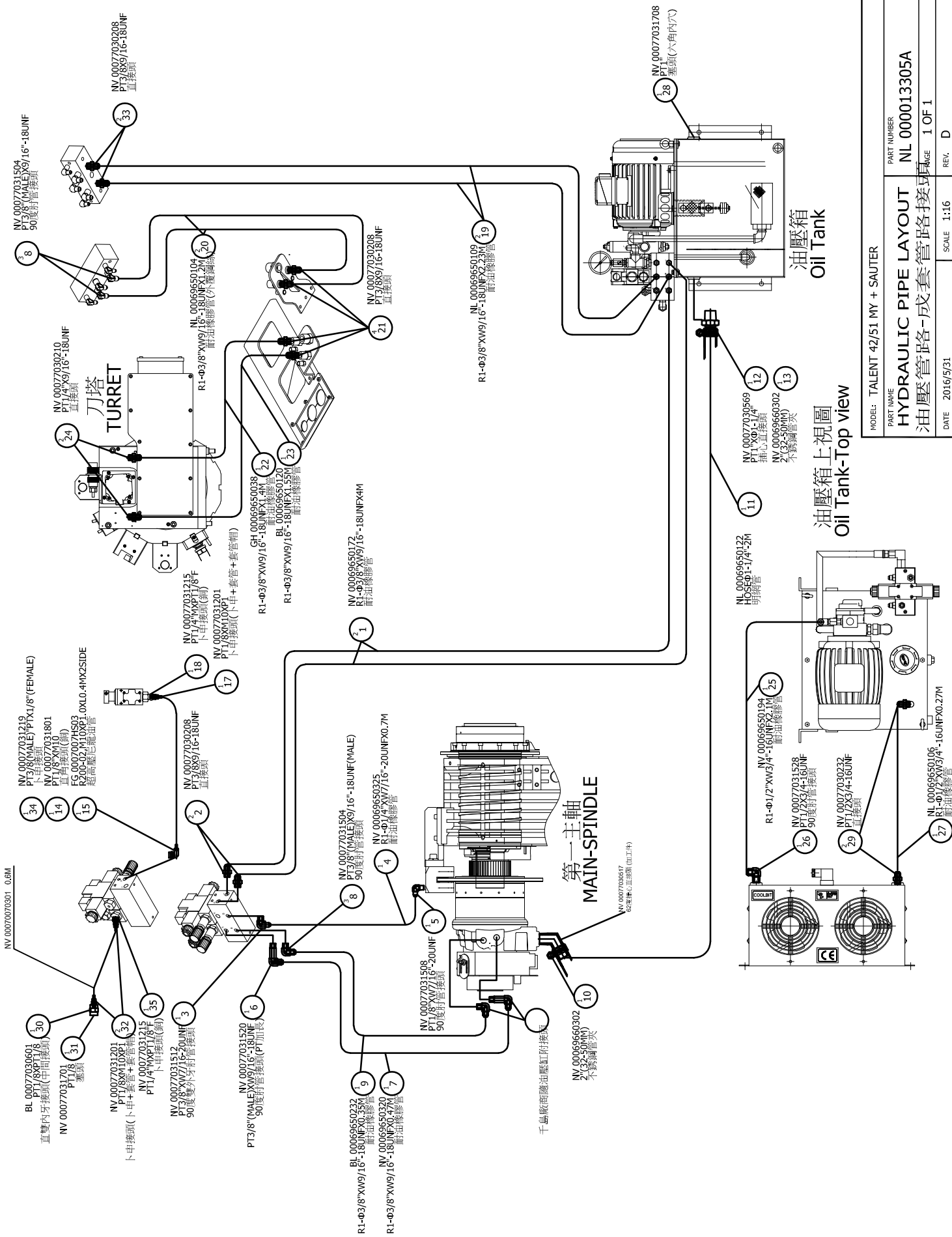
PRODUCT BOM MASTER AND SUB-ITEMS LIST

Master Item Part NO.: NL 000013307A

Description: HYDRAULIC PIPE LAYOUT
油壓管路-成套管路接頭

Item	Part NO.	Description	中文名稱	Specification	Qty	Unit
1.00	NV 00077030214	NIPPLE, STRAIGHT	直接頭	PT1/4"XPT1/8"X30L	2.00	EA
2.00	NV 00077030407	TEE UNION	內螺紋三通	PT1/8"	2.00	EA
3.00	NV 00077031201	BUSHING, BRASS	卜申接頭(卜申+套管+套管帽)	PT1/8XM10XP1	4.00	EA
4.00	NV 00077031215	BUSHING	卜申接頭(銅)	PT1/4"MXPT1/8"F	2.00	EA
5.00	NV 00077030603	UNION	直雙內牙接頭	PT1/4XPT1/8	2.00	EA

B	修改長度#15.0,3m->0.4m #4.0,加2.0m	2018/01/08	1004476	REV	DESCRIPTION	DATE	ECN.
C	修改長度#4.1m->0.7,0.7m	2018/10/11	1004624	A	來賓方改	2016/5/31	1004110
D	新增加零件編號	2019/01/18	338331	B	新增超聲波壓力油接管	2017/5/10	1004476



MODEL:	TALENT 42/51 MY + SAUTER
PART NAME:	HYDRAULIC PIPE LAYOUT
PART NUMBER:	NL 000013305A
油壓管路-成套管路接頭	油壓管路-成套管路接頭
DATE:	2016/5/31
SCALE:	1:16
REV:	D

PRODUCT BOM MASTER AND SUB-ITEMS LIST

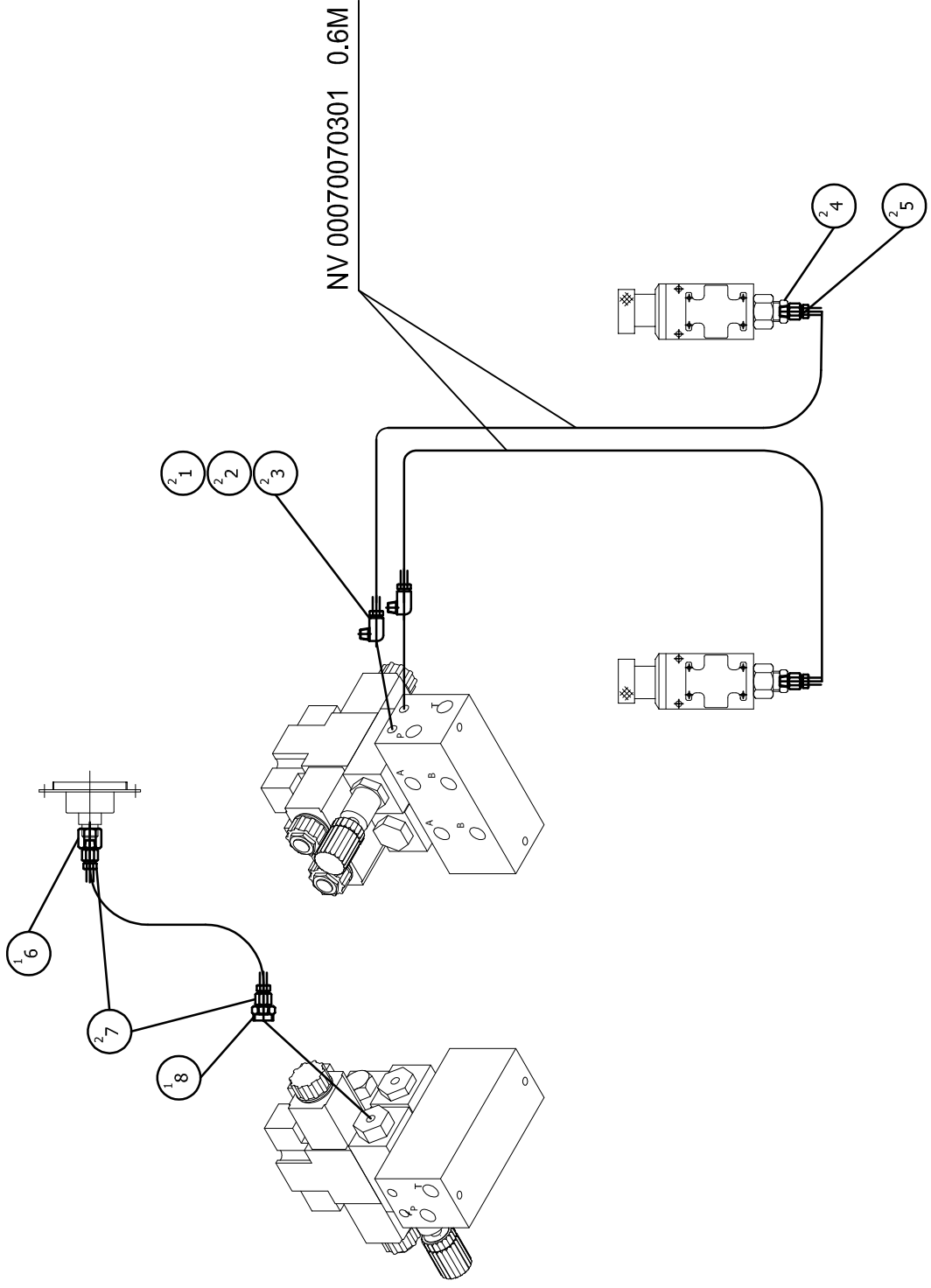
Master Item Part NO.: NL 000013305A

Description: HYDRAULIC HOSE&FITTING
油壓管路

Item Part NO.	Description	中文名稱	Specification	Qty	Unit
1.00	NV 00069650172	耐油橡膠管	R1-Φ3/8"XW9/16"-18UNFX4M	2.00	EA
2.00	NV 00077030208	直接頭	PT3/8X9/16-18UNF	2.00	EA
3.00	NV 00077031512	90度雙外牙肘管接頭	PT3/8"XW7/16"-20UNF	1.00	EA
4.02	NV 00069650325	耐油橡膠管	R1-Φ1/4"XW7/16"-20UNFX0.7M	1.00	EA
5.00	NV 00077031508	90度肘管接頭	PT1/8"(MALE)XW7/16"-20UNF(MALE)	1.00	EA
6.00	NV 00077031520	90度肘管接頭(PT加長)	PT3/8"(MALE)XW9/16"-18UNF(MALE)	1.00	EA
7.00	NV 00069650320	耐油橡膠管	R1-Φ3/8"XW9/16"-18UNFX0.47M	1.00	EA
8.00	NV 00077031504	90度肘管接頭	PT3/8"(MALE)X9/16"-18UNF(MALE)	3.00	EA
9.00	BL 00069650232	耐油橡膠管	R1-Φ3/8"XW9/16"-18UNFX0.35M	1.00	EA
10.00	NV 00069660302	不銹鋼管夾	2"(32-50MM)	1.00	EA
11.01	NL 00069650122	明網管	HOSEΦ1-1/4"X2M	1.00	MT
12.00	NV 00077030569	插心直接頭	PT1"XΦ1-1/4"	1.00	EA
13.00	NV 00069660302	不銹鋼管夾	2"(32-50MM)	1.00	EA
14.00	NV 00077031801	直角接頭(銅)	PT1/8"XM10(論興:GB0006M01T)	1.00	EA
15.02	FG 0007007HS03	超高壓尼龍油管	R200-02,M10XP1.0XL0.4MX2SIDE	1.00	EA
17.00	NV 00077031201	卜申接頭(卜申+套管+套管帽)	PT1/8XM10XP1	1.00	EA
18.00	NV 00077031215	卜申接頭(銅)	PT1/4"MXPT1/8"F	1.00	EA
19.00	NL 00069650109	耐油橡膠管	R1-Φ3/8"XW9/16"-18UNFX2.23M	2.00	EA
20.00	NL 00069650104	耐油橡膠管(外覆鋼絲)	R1-Φ3/8"XW9/16"-18UNFX1.2M	2.00	EA

PRODUCT BOM MASTER AND SUB-ITEMS LIST

Item	Part NO.	Description	中文名稱	Specification	Qty	Unit
21.00	NV 00077030208	NIPPLE, STRAIGHT	直接頭	PT3/8X9/16-18UNF	4.00	EA
22.00	GH 00069650038	HOSE, FLEXIBLE HYDRAULIC	耐油橡膠管	R1-Φ3/8"XW9/16"-18UNFX1.4M	1.00	EA
23.00	BL 00069650120	HOSE, FLEXIBLE HYDRAULIC	耐油橡膠管	R1-Φ3/8"XW9/16"-18UNFX1.55M	1.00	EA
24.00	NV 00077030210	NIPPLE, STRAIGHT	直接頭	PT1/4"X9/16"-18UNF	2.00	EA
25.01	NV 00069650194	HOSE, FLEXIBLE HYDRAULIC	耐油橡膠管2.1M	R1-Φ1/2"XW3/4"-16UNFX2.1M	1.00	EA
26.00	NV 00077031528	ELBOW, 90 DEG MALE	90度肘管接頭	PT1/2"(MALE)X3/4"-16UNF(MALE)	3.00	EA
27.00	NL 00069650106	HOSE, FLEXIBLE HYDRAULIC	耐油橡膠管	R1-Φ1/2"XW3/4"-16UNFX0.27M	1.00	EA
28.00	NV 00077031708	PLUG, SOCKET HEX.	塞頭(六角內穴)	PT1	1.00	EA
29.00	NV 00077030232	NIPPLE, STRAIGHT	直接頭	PT1/2X3/4-16UNF	2.00	EA
30.00	BL 00077030601	UNION	直雙內牙接頭(中間接頭)	PT1/8XPT1/8	1.00	EA
31.00	NV 00077031701	PLUG, SOCKET HEX.	塞頭	PT1/8	1.00	EA
32.00	NV 00077031201	BUSHING, BRASS	卜申接頭(卜申+套管+套管帽)	PT1/8XM10XP1	2.00	EA
33.00	NV 00077030208	NIPPLE, STRAIGHT	直接頭	PT3/8X9/16-18UNF	2.00	EA
34.00	NV 00077031219	BUSHING	卜申接頭	PT3/8(MALE)PTX1/8"(FEMALE)	1.00	EA
35.00	NV 00077031215	BUSHING	卜申接頭(銅)	PT1/4"MXPT1/8"F	1.00	EA



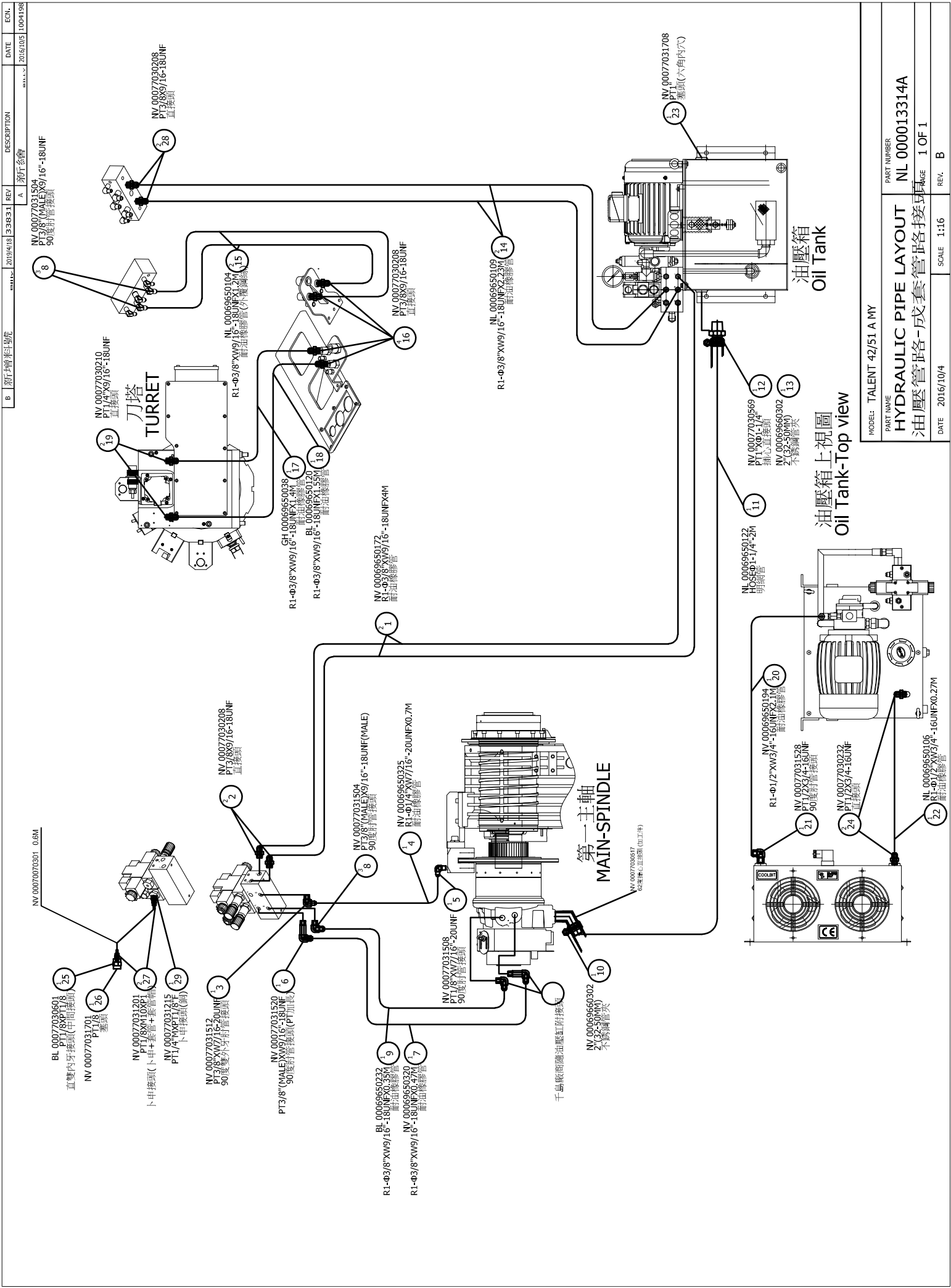
MODEL: TALENT 42/51MY	PART NUMBER
PART NAME	NL 000013308A
油壓管路(CE)-成套管路接頭	PAGE 1 OF 1
DATE 2016/5/31	REV. A
SCALE 1:6	

PRODUCT BOM MASTER AND SUB-ITEMS LIST

Master Item Part NO.: NL 000013308A

Description: HYDRAULIC HOSE&FITTING
油壓管路(CE)-成套管路接頭

Item	Part NO.	Description	中文名稱	Specification	Qty	Unit
1.00	NV 00077031801	ELBOW, BRASS 90DEG MALE&FEMALE	直角接頭(銅)	PT1/8"XM10(論興:GB00006M01T)	2.00	EA
2.00	NV 00077031102	THIMBLE NUT, BRASS	套管帽	M10XΦ6.1	2.00	EA
3.00	NV 00069660401	THIMBLE, BRASS	套管	Φ6	2.00	EA
4.00	NV 00077031215	BUSHING	卜申接頭(銅)	PT1/4"MXPT1/8"F	2.00	EA
5.00	NV 00077031201	BUSHING, BRASS	卜申接頭(卜申+套管+套管帽)	PT1/8XM10XP1	2.00	EA
6.00	NV 00077030603	UNION	直雙內牙接頭	PT1/4XPT1/8	1.00	EA
7.00	NV 00077031201	BUSHING, BRASS	卜申接頭(卜申+套管+套管帽)	PT1/8XM10XP1	2.00	EA
8.00	NV 00077031215	BUSHING	卜申接頭(銅)	PT1/4"MXPT1/8"F	1.00	EA



REV	DESCRIPTION	DATE	ENCL.
A	新升套	2016/10/5	1004198

MODEL	TALENT 42/51 A MY
PART NAME	HYDRAULIC PIPE LAYOUT
PART NUMBER	NL 000013314A
DATE	2016/10/4
SCALE	1:16
REV.	B

REV	DESCRIPTION	DATE	ENCL.
A	新升套	2016/10/5	1004198

PRODUCT BOM MASTER AND SUB-ITEMS LIST

Master Item Part NO.: NL 000013314A

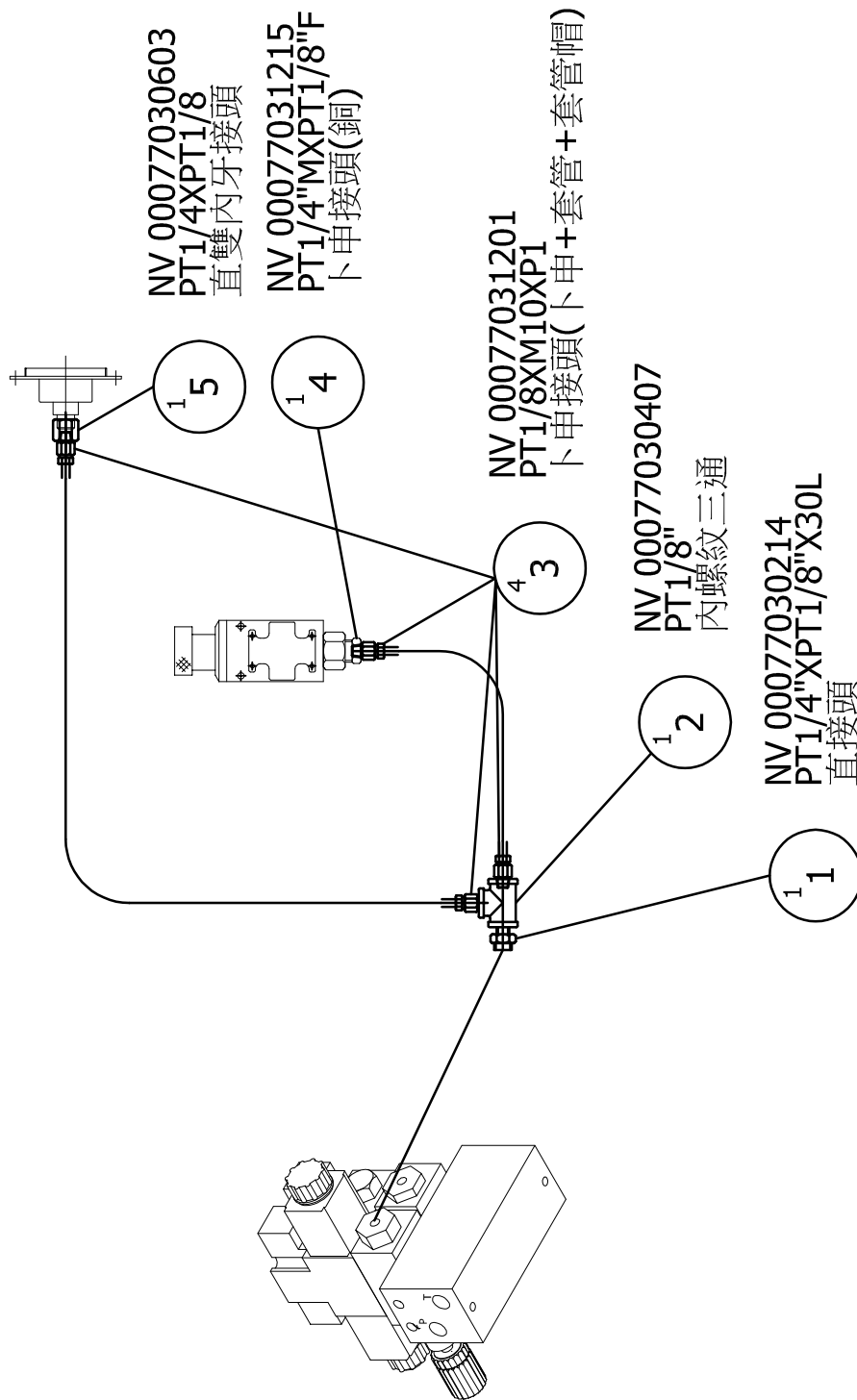
Description: HYDRAULIC HOSE&FITTING
油壓管路

Item Part NO.	Description	中文名稱	Specification	Qty	Unit
1.00	NV 00069650172 HOSE, FLEXIBLE HYDRAULIC	耐油橡膠管	R1-Φ3/8"XW9/16"-18UNFX4M	2.00	EA
2.00	NV 00077030208 NIPPLE, STRAIGHT	直接頭	PT3/8X9/16-18UNF	2.00	EA
3.00	NV 00077031512 ELBOW, 90 DEG MALE	90度雙外牙肘管接頭	PT3/8"XW7/16"-20UNF	1.00	EA
4.00	NV 00069650325 HOSE, FLEXIBLE HYDRAULIC	耐油橡膠管	R1-Φ1/4"XW7/16"-20UNFX0.7M	1.00	EA
5.00	NV 00077031508 ELBOW, 90 DEG MALE	90度肘管接頭	PT1/8"(MALE)XW7/16"-20UNF(MALE)	1.00	EA
6.00	NV 00077031520 ELBOW, 90 DEG MALE(LENGTHEN)	90度肘管接頭(PT加長)	PT3/8"(MALE)XW9/16"-18UNF(MALE)	1.00	EA
7.00	NV 00069650320 HOSE, FLEXIBLE HYDRAULIC	耐油橡膠管	R1-Φ3/8"XW9/16"-18UNFX0.47M	1.00	EA
8.00	NV 00077031504 ELBOW, 90 DEG MALE	90度肘管接頭	PT3/8"(MALE)X9/16"-18UNF(MALE)	3.00	EA
9.00	BL 00069650232 HOSE, FLEXIBLE HYDRAULIC	耐油橡膠管	R1-Φ3/8"XW9/16"-18UNFX0.35M	1.00	EA
10.00	NV 00069660302 CLAMP, HOSE	不銹鋼管夾	2"(32-50MM)	1.00	EA
11.01	NL 00069650122 HOSE WITH FIBER	明網管	HOSEΦ1-1/4"X2M	1.00	MT
12.00	NV 00077030569 CONNECTOR	插心直接頭	PT1"XΦ1-1/4"	1.00	EA
13.00	NV 00069660302 CLAMP, HOSE	不銹鋼管夾	2"(32-50MM)	1.00	EA
14.00	NL 00069650109 HOSE, FLEXIBLE HYDRAULIC	耐油橡膠管	R1-Φ3/8"XW9/16"-18UNFX2.23M	2.00	EA
15.00	NL 00069650104 HOSE, FLEXIBLE HYDRAULIC	耐油橡膠管(外覆鋼絲)	R1-Φ3/8"XW9/16"-18UNFX1.2M	2.00	EA
16.00	NV 00077030208 NIPPLE, STRAIGHT	直接頭	PT3/8X9/16-18UNF	4.00	EA
17.00	GH 00069650038 HOSE, FLEXIBLE HYDRAULIC	耐油橡膠管	R1-Φ3/8"XW9/16"-18UNFX1.4M	1.00	EA
18.00	BL 00069650120 HOSE, FLEXIBLE HYDRAULIC	耐油橡膠管	R1-Φ3/8"XW9/16"-18UNFX1.55M	1.00	EA
19.00	NV 00077030210 NIPPLE, STRAIGHT	直接頭	PT1/4"X9/16"-18UNF	2.00	EA

PRODUCT BOM MASTER AND SUB-ITEMS LIST

Item	Part NO.	Description	中文名稱	Specification	Qty	Unit
20.00	BL 00069650194	HOSE, FLEXIBLE HYDRAULIC	耐油橡膠管	R1-Φ1/2"XW3/4"-16UNFX1.2M	1.00	EA
21.00	NV 00077031528	ELBOW, 90 DEG MALE	90度肘管接頭	PT1/2"(MALE)X3/4"-16UNF(MALE)	3.00	EA
22.00	NL 00069650106	HOSE, FLEXIBLE HYDRAULIC	耐油橡膠管	R1-Φ1/2"XW3/4"-16UNFX0.27M	1.00	EA
23.00	NV 00077031708	PLUG, SOCKET HEX.	塞頭(六角內穴)	PT1	1.00	EA
24.00	NV 00077030232	NIPPLE, STRAIGHT	直接頭	PT1/2X3/4-16UNF	2.00	EA
25.00	BL 00077030601	UNION	直雙內牙接頭(中間接頭)	PT1/8XPT1/8	1.00	EA
26.00	NV 00077031701	PLUG, SOCKET HEX.	塞頭	PT1/8	1.00	EA
27.00	NV 00077031201	BUSHING, BRASS	卜申接頭(卜申+套管+套管帽)	PT1/8XM10XP1	2.00	EA
28.00	NV 00077030208	NIPPLE, STRAIGHT	直接頭	PT3/8X9/16-18UNF	2.00	EA
29.00	NV 00077031215	BUSHING	卜申接頭(銅)	PT1/4"MXPT1/8"F	1.00	EA

REV	DESCRIPTION	DATE	ECN
A	新繪	2016/10/5	E004128



MODEL: TALENT 42/51 A MY	
PART NAME	PART NUMBER
HYDRAULIC PIPE LAYOUT	NL 000013315A
油壓管路-成套管路接頭	PAGE 1 OF 1
DATE 2016/10/5	SCALE 1:6
	REV. A

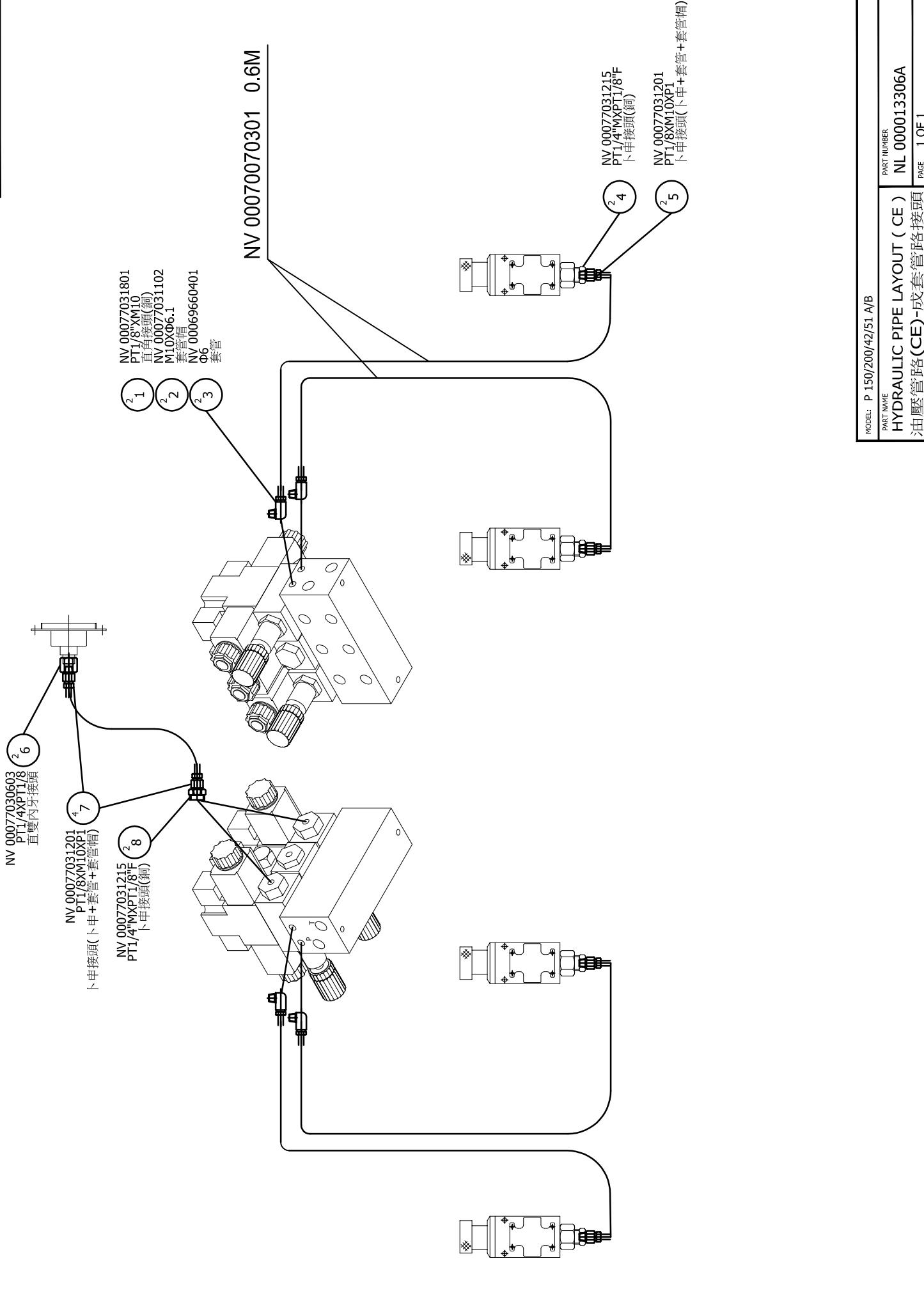
PRODUCT BOM MASTER AND SUB-ITEMS LIST

Master Item Part NO.: NL 000013315A

Description: HYDRAULIC PIPE LAYOUT
油壓管路-成套管路接頭

Item	Part NO.	Description	中文名稱	Specification	Qty	Unit
1.00	NV 00077030214	NIPPLE, STRAIGHT	直接頭	PT1/4"XPT1/8"X30L	1.00	EA
2.00	NV 00077030407	TEE UNION	內螺紋三通	PT1/8"	1.00	EA
3.00	NV 00077031201	BUSHING, BRASS	卜申接頭(卜申+套管+套管帽)	PT1/8XM10XP1	4.00	EA
4.00	NV 00077031215	BUSHING	卜申接頭(銅)	PT1/4"MXPT1/8"F	1.00	EA
5.00	NV 00077030603	UNION	直雙內牙接頭	PT1/4XPT1/8	1.00	EA

REV.	DESCRIPTION	DATE	ECN.
A	採買方針	2015/12/31	1004022



MODEL: P 150/200/42/51 A/B	
PART NAME	PART NUMBER
HYDRAULIC PIPE LAYOUT (CE)	NL 000013306A
油壓管路(CE)-成套管路接頭	PAGE 1 OF 1
DATE 2015/12/31	REV. A
SCALE 1:6	

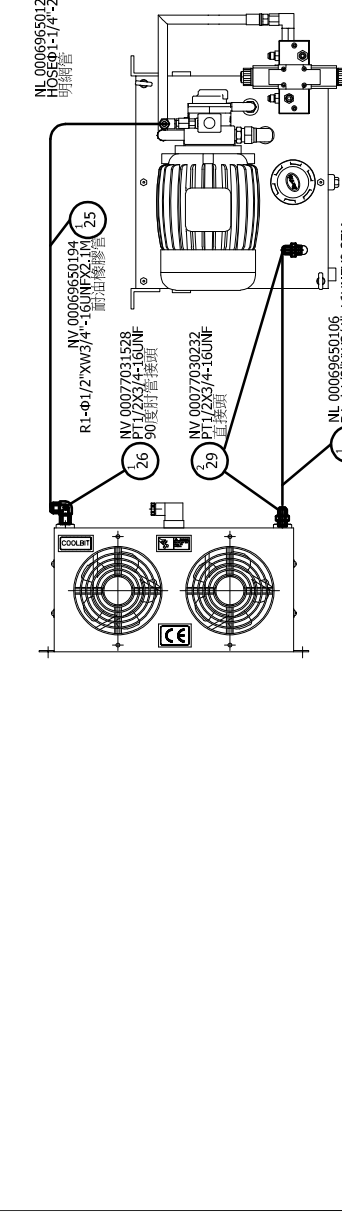
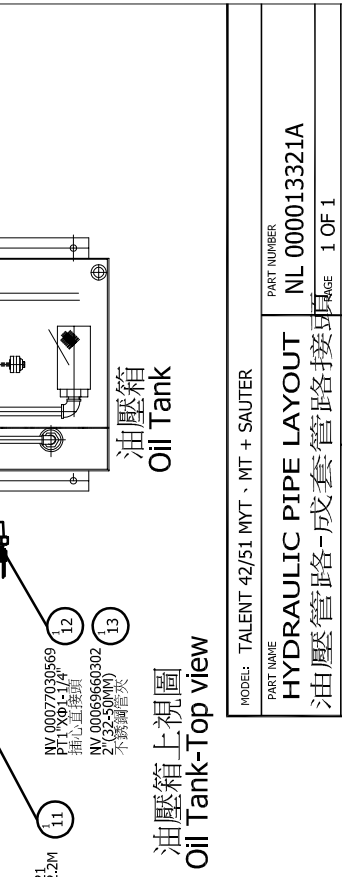
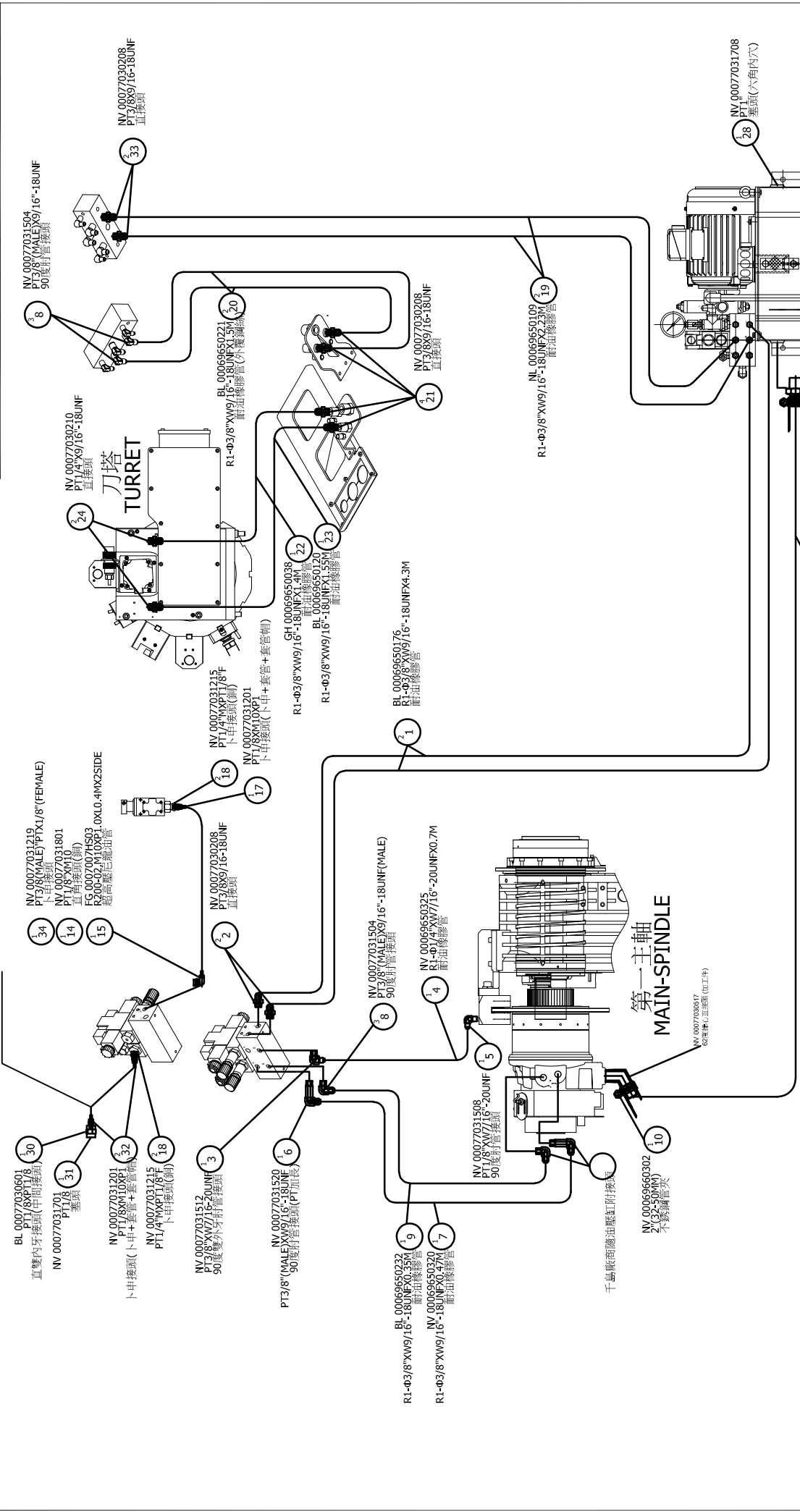
PRODUCT BOM MASTER AND SUB-ITEMS LIST

Master Item Part NO.: NL 000013306A

Description: HYDRAULIC PIPE LAYOUT (CE)
油壓管路(CE)-成套管路接頭

Item	Part NO.	Description	中文名稱	Specification	Qty	Unit
1.00	NV 00077031801	ELBOW, BRASS 90DEG MALE&FEMALE	直角接頭(銅)	PT1/8"XM10(論興:GB00006M01T)	2.00	EA
2.00	NV 00077031102	THIMBLE NUT, BRASS	套管帽	M10XΦ6.1	2.00	EA
3.00	NV 00069660401	THIMBLE, BRASS	套管	Φ6	2.00	EA
4.00	NV 00077031215	BUSHING	卜申接頭(銅)	PT1/4"MXPT1/8"F	2.00	EA
5.00	NV 00077031201	BUSHING, BRASS	卜申接頭(卜申+套管+套管帽)	PT1/8XM10XP1	2.00	EA
6.00	NV 00077030603	UNION	直雙內牙接頭	PT1/4XP1/8	2.00	EA
7.00	NV 00077031201	BUSHING, BRASS	卜申接頭(卜申+套管+套管帽)	PT1/8XM10XP1	4.00	EA
8.00	NV 00077031215	BUSHING	卜申接頭(銅)	PT1/4"MXPT1/8"F	2.00	EA

B	修改長度#15.0mm->0.4mm #4.0加波口	2018/05/11	1004476	REV	DESCRIPTION	DATE	ECN.
C	修改長度#4 1mm->0.2mm	2018/10/11	1004624	A	零件參會	2016/5/31	1004231
D	新打增平油號	2019/6/18	338331	B	新增超聲壓配油接管	2017/5/10	1004476



MODEL:	TALENT 42/51 MYT、MT + SAUTER
PART NAME:	HYDRAULIC PIPE LAYOUT
PART NUMBER:	NL 000013321A
DATE:	2016/5/31
SCALE:	1:16
REV:	D
PAGE:	1 OF 1
REV:	D
油壓管路-成套管路接頭	

PRODUCT BOM MASTER AND SUB-ITEMS LIST

Master Item Part NO.: NL 000013321A

Description: HYDRAULIC HOSE&FITTING
油壓管路

Item Part NO.	Description	中文名稱	Specification	Qty	Unit
1.00	BL 00069650176	HOSE, FLEXIBLE HYDRAULIC	耐油橡膠管	2.00	EA
2.00	NV 00077030208	NIPPLE, STRAIGHT	直接頭	2.00	EA
3.00	NV 00077031512	ELBOW, 90 DEG MALE	90度雙外牙肘管接頭	1.00	EA
4.02	NV 00069650325	HOSE, FLEXIBLE HYDRAULIC	耐油橡膠管	1.00	EA
5.00	NV 00077031508	ELBOW, 90 DEG MALE	90度肘管接頭	1.00	EA
6.00	NV 00077031520	ELBOW, 90 DEG MALE(LENGTHEN)	90度肘管接頭(PT加長)	1.00	EA
7.00	NV 00069650320	HOSE, FLEXIBLE HYDRAULIC	耐油橡膠管	1.00	EA
8.00	NV 00077031504	ELBOW, 90 DEG MALE	90度肘管接頭	3.00	EA
9.00	BL 00069650232	HOSE, FLEXIBLE HYDRAULIC	耐油橡膠管	1.00	EA
10.00	NV 00069660302	CLAMP, HOSE	不銹鋼管夾	1.00	EA
11.01	NL 00069650121	HOSE WITH FIBER	明網管	1.00	MT
12.00	NV 00077030569	CONNECTOR	插心直接頭	1.00	EA
13.00	NV 00069660302	CLAMP, HOSE	不銹鋼管夾	1.00	EA
14.00	NV 00077031801	ELBOW, BRASS 90DEG MALE&FEMALE	直角接頭(銅)	1.00	EA
15.02	FG 0007007HS03	NYLON TUBING, HIGH PRESSURE	超高壓尼龍油管	1.00	EA
17.00	NV 00077031201	BUSHING, BRASS	卜申接頭(卜申+套管+套管帽)	1.00	EA
18.00	NV 00077031215	BUSHING	卜申接頭(銅)	2.00	EA
19.00	NL 00069650109	HOSE, FLEXIBLE HYDRAULIC	耐油橡膠管	2.00	EA
20.00	BL 00069650221	HOSE, FLEXIBLE HYDRAULIC	耐油橡膠管(外覆鋼絲)	2.00	EA

PRODUCT BOM MASTER AND SUB-ITEMS LIST

Item	Part NO.	Description	中文名稱	Specification	Qty	Unit
21.00	NV 00077030208	NIPPLE, STRAIGHT	直接頭	PT3/8X9/16-18UNF	4.00	EA
22.00	GH 00069650038	HOSE, FLEXIBLE HYDRAULIC	耐油橡膠管	R1-Φ3/8"XW9/16"-18UNFX1.4M	1.00	EA
23.00	BL 00069650120	HOSE, FLEXIBLE HYDRAULIC	耐油橡膠管	R1-Φ3/8"XW9/16"-18UNFX1.55M	1.00	EA
24.00	NV 00077030210	NIPPLE, STRAIGHT	直接頭	PT1/4"X9/16"-18UNF	2.00	EA
25.01	NV 00069650194	HOSE, FLEXIBLE HYDRAULIC	耐油橡膠管2.1M	R1-Φ1/2"XW3/4"-16UNFX2.1M	1.00	EA
26.00	NV 00077031528	ELBOW, 90 DEG MALE	90度肘管接頭	PT1/2"(MALE)X3/4"-16UNF(MALE)	3.00	EA
27.00	NL 00069650106	HOSE, FLEXIBLE HYDRAULIC	耐油橡膠管	R1-Φ1/2"XW3/4"-16UNFX0.27M	1.00	EA
28.00	NV 00077031708	PLUG, SOCKET HEX.	塞頭(六角內穴)	PT1	1.00	EA
29.00	NV 00077030232	NIPPLE, STRAIGHT	直接頭	PT1/2X3/4-16UNF	2.00	EA
30.00	BL 00077030601	UNION	直雙內牙接頭(中間接頭)	PT1/8XPT1/8	1.00	EA
31.00	NV 00077031701	PLUG, SOCKET HEX.	塞頭	PT1/8	1.00	EA
32.00	NV 00077031201	BUSHING, BRASS	卜申接頭(卜申+套管+套管帽)	PT1/8XM10XP1	2.00	EA
33.00	NV 00077030208	NIPPLE, STRAIGHT	直接頭	PT3/8X9/16-18UNF	2.00	EA
34.00	NV 00077031219	BUSHING	卜申接頭	PT3/8(MALE)PTX1/8"(FEMALE)	1.00	EA

PRODUCT BOM MASTER AND SUB-ITEMS LIST

Master Item Part NO.: NL 000013329A

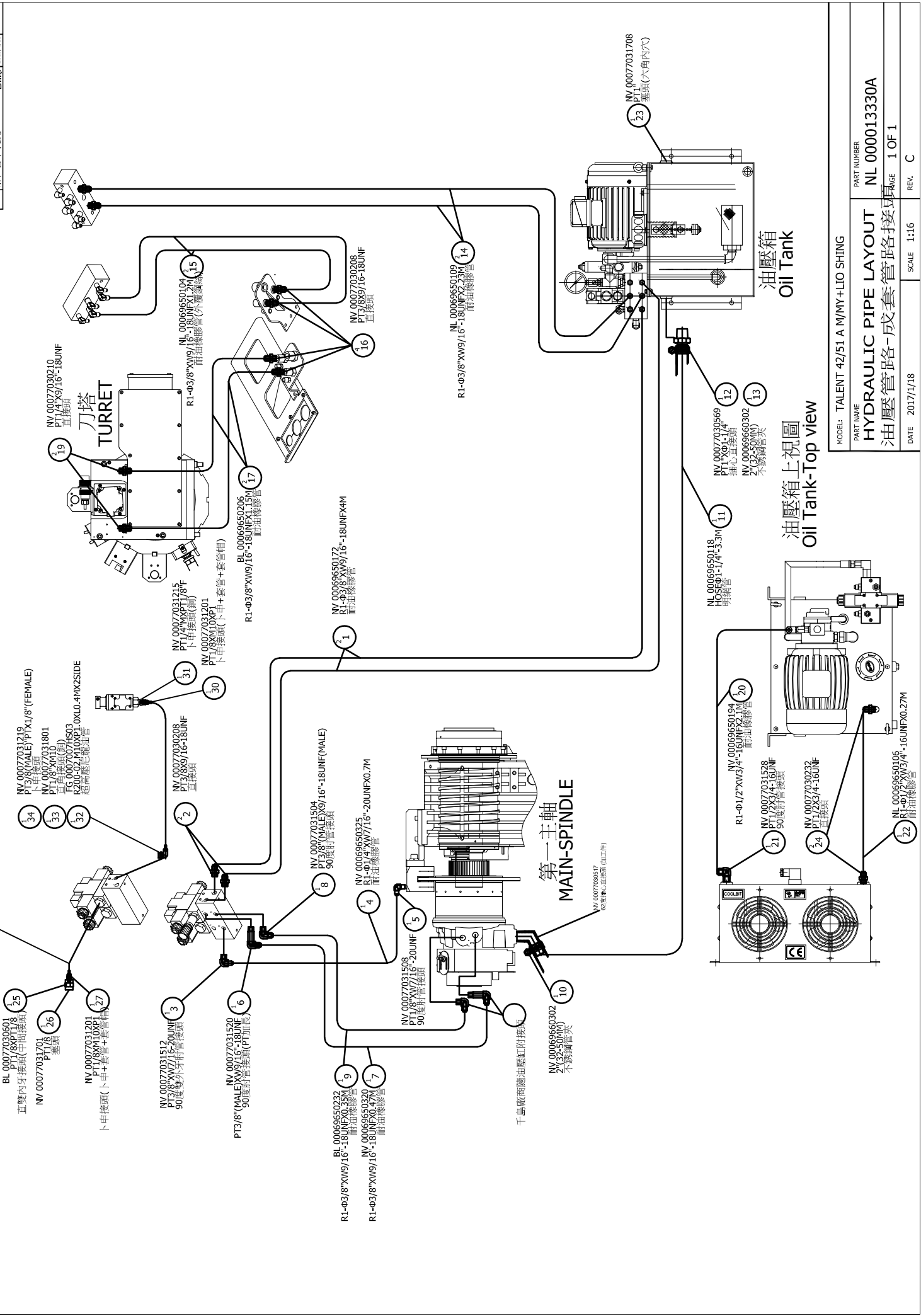
Description: HYDRAULIC HOSE&FITTING
油壓管路

Item Part NO.	Description	中文名稱	Specification	Qty	Unit
1.00	NV 00069650172 HOSE, FLEXIBLE HYDRAULIC	耐油橡膠管	R1-Φ3/8"XW9/16"-18UNFX4M	2.00	EA
2.00	NV 00077030208 NIPPLE, STRAIGHT	直接頭	PT3/8X9/16-18UNF	2.00	EA
3.00	NV 00077031512 ELBOW, 90 DEG MALE	90度雙外牙肘管接頭	PT3/8"XW7/16"-20UNF	1.00	EA
4.02	NV 00069650325 HOSE, FLEXIBLE HYDRAULIC	耐油橡膠管	R1-Φ1/4"XW7/16"-20UNFX0.7M	1.00	EA
5.00	NV 00077031508 ELBOW, 90 DEG MALE	90度肘管接頭	PT1/8"(MALE)XW7/16"-20UNF(MALE)	1.00	EA
6.00	NV 00077031520 ELBOW, 90 DEG MALE(LENGTHEN)	90度肘管接頭(PT加長)	PT3/8"(MALE)XW9/16"-18UNF(MALE)	1.00	EA
7.00	NV 00069650320 HOSE, FLEXIBLE HYDRAULIC	耐油橡膠管	R1-Φ3/8"XW9/16"-18UNFX0.47M	1.00	EA
8.00	NV 00077031504 ELBOW, 90 DEG MALE	90度肘管接頭	PT3/8"(MALE)X9/16"-18UNF(MALE)	3.00	EA
9.00	BL 00069650232 HOSE, FLEXIBLE HYDRAULIC	耐油橡膠管	R1-Φ3/8"XW9/16"-18UNFX0.35M	1.00	EA
10.00	NV 00069660302 CLAMP, HOSE	不銹鋼管夾	2"(32-50MM)	1.00	EA
11.01	NL 00069650122 HOSE WITH FIBER	明網管	HOSEΦ1-1/4"X2M	1.00	MT
12.00	NV 00077030569 CONNECTOR	插心直接頭	PT1"XΦ1-1/4"	1.00	EA
13.00	NV 00069660302 CLAMP, HOSE	不銹鋼管夾	2"(32-50MM)	1.00	EA
14.00	NV 00077031801 ELBOW, BRASS 90DEG MALE&FEMALE	直角接頭(銅)	PT1/8"XM10(論興:GB0006M01T)	1.00	EA
15.04	FG 0007007HS03 NYLON TUBING, HIGH PRESSURE	超高壓尼龍油管	R200-02,M10XP1.0XL0.4MX2SIDE	1.00	EA
17.00	NV 00077031201 BUSHING, BRASS	卜申接頭(卜申+套管+套管帽)	PT1/8XM10XP1	1.00	EA
18.00	NV 00077031215 BUSHING	卜申接頭(銅)	PT1/4"MXPT1/8"F	1.00	EA
19.00	NL 00069650109 HOSE, FLEXIBLE HYDRAULIC	耐油橡膠管	R1-Φ3/8"XW9/16"-18UNFX2.23M	2.00	EA
20.00	NL 00069650104 HOSE, FLEXIBLE HYDRAULIC	耐油橡膠管(外覆鋼絲)	R1-Φ3/8"XW9/16"-18UNFX1.2M	2.00	EA

PRODUCT BOM MASTER AND SUB-ITEMS LIST

Item	Part NO.	Description	中文名稱	Specification	Qty	Unit
21.00	NV 00077030208	NIPPLE, STRAIGHT	直接頭	PT3/8X9/16-18UNF	4.00	EA
22.02	BL 00069650206	HOSE, FLEXIBLE HYDRAULIC	耐油橡膠管	R1-Φ3/8"XW9/16"-18UNFX1.15M	2.00	EA
24.00	NV 00077030210	NIPPLE, STRAIGHT	直接頭	PT1/4"X9/16"-18UNF	2.00	EA
25.01	NV 00069650194	HOSE, FLEXIBLE HYDRAULIC	耐油橡膠管2.1M	R1-Φ1/2"XW3/4"-16UNFX2.1M	1.00	EA
26.00	NV 00077031528	ELBOW, 90 DEG MALE	90度肘管接頭	PT1/2"(MALE)X3/4"-16UNF(MALE)	3.00	EA
27.00	NL 00069650106	HOSE, FLEXIBLE HYDRAULIC	耐油橡膠管	R1-Φ1/2"XW3/4"-16UNFX0.27M	1.00	EA
28.00	NV 00077031708	PLUG, SOCKET HEX.	塞頭(六角內穴)	PT1	1.00	EA
29.00	NV 00077030232	NIPPLE, STRAIGHT	直接頭	PT1/2X3/4-16UNF	2.00	EA
30.00	BL 00077030601	UNION	直雙內牙接頭(中間接頭)	PT1/8XPT1/8	1.00	EA
31.00	NV 00077031701	PLUG, SOCKET HEX.	塞頭	PT1/8	1.00	EA
32.00	NV 00077031201	BUSHING, BRASS	卜申接頭(卜申+套管+套管帽)	PT1/8XM10XP1	2.00	EA
33.00	NV 00077030208	NIPPLE, STRAIGHT	直接頭	PT3/8X9/16-18UNF	2.00	EA
34.00	NV 00077031219	BUSHING	卜申接頭	PT3/8(MALE)"PTX1/8"(FEMALE)	1.00	EA
35.00	NV 00077031512	ELBOW, 90 DEG MALE	90度雙外牙肘管接頭	PT3/8"XW7/16"-20UNF	1.00	EA

REV.	DESCRIPTION	DATE	EQV.
A	零件發售	2017/1/18	1009279
B	新增加物料清單# 30~34	2018/10/11	1009424
C	新增物料號	2019/4/18	338531



MODEL:	TALENT 42/51 A M/MY+LIO SHING
PART NUMBER:	NL 000013330A
HYDRAULIC PIPE LAYOUT	
油壓管路-成套管路接頭	
PAGE:	1 OF 1
DATE:	2017/1/18
SCALE:	1:16
REV.:	C

PRODUCT BOM MASTER AND SUB-ITEMS LIST

Master Item Part NO.: NL 000013330A

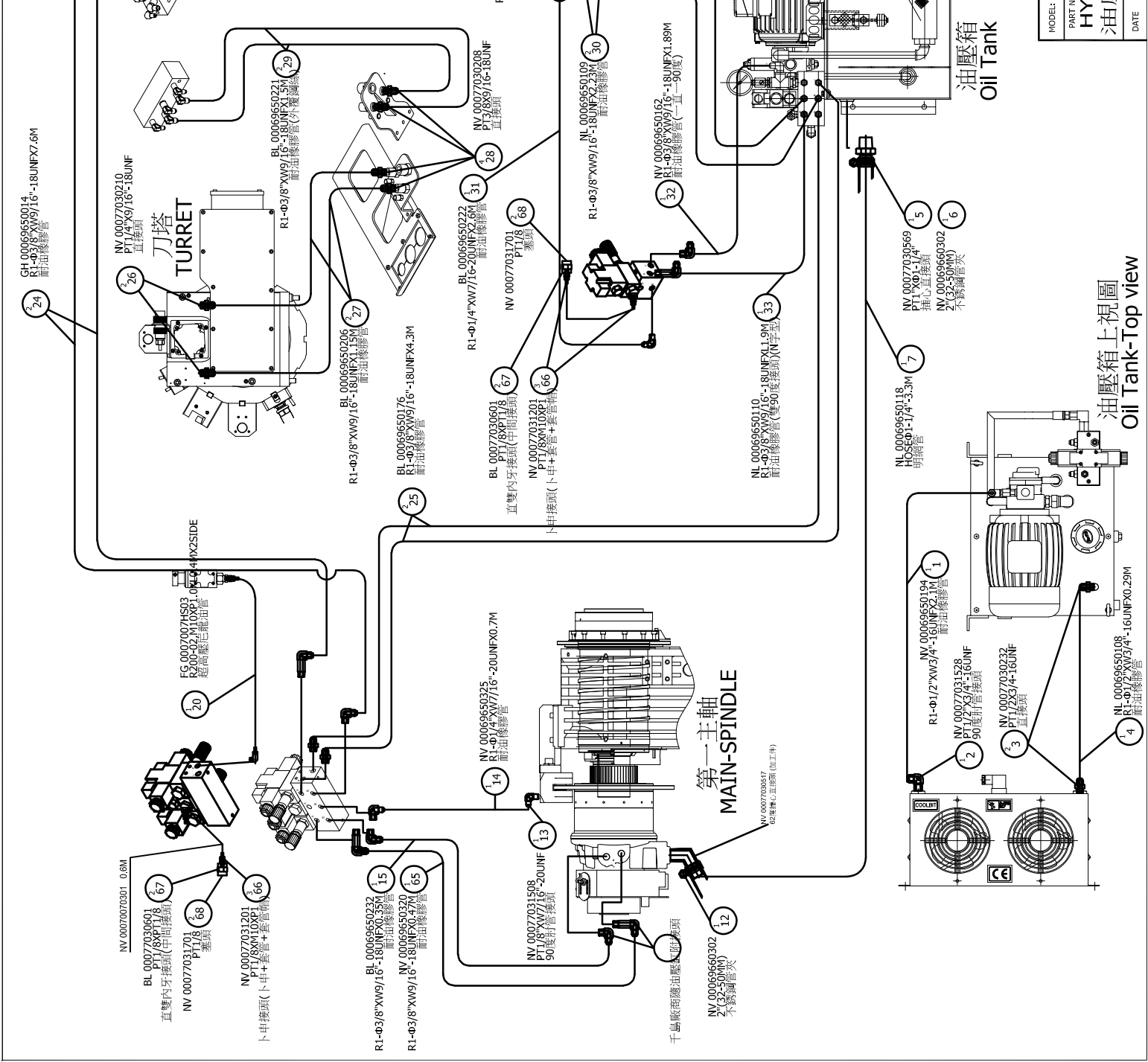
Description: HYDRAULIC HOSE&FITTING
油壓管路

Item Part NO.	Description	中文名稱	Specification	Qty	Unit
1.00	NV 00069650172 HOSE, FLEXIBLE HYDRAULIC	耐油橡膠管	R1-Φ3/8"XW9/16"-18UNFX4M	2.00	EA
2.00	NV 00077030208 NIPPLE, STRAIGHT	直接頭	PT3/8X9/16-18UNF	2.00	EA
3.00	NV 00077031512 ELBOW, 90 DEG MALE	90度雙外牙肘管接頭	PT3/8"XW7/16"-20UNF	1.00	EA
4.00	NV 00069650325 HOSE, FLEXIBLE HYDRAULIC	耐油橡膠管	R1-Φ1/4"XW7/16"-20UNFX0.7M	1.00	EA
5.00	NV 00077031508 ELBOW, 90 DEG MALE	90度肘管接頭	PT1/8"(MALE)XW7/16"-20UNF(MALE)	1.00	EA
6.00	NV 00077031520 ELBOW, 90 DEG MALE(LENGTHEN)	90度肘管接頭(PT加長)	PT3/8"(MALE)XW9/16"-18UNF(MALE)	1.00	EA
7.00	NV 00069650320 HOSE, FLEXIBLE HYDRAULIC	耐油橡膠管	R1-Φ3/8"XW9/16"-18UNFX0.47M	1.00	EA
8.00	NV 00077031504 ELBOW, 90 DEG MALE	90度肘管接頭	PT3/8"(MALE)X9/16"-18UNF(MALE)	3.00	EA
9.00	BL 00069650232 HOSE, FLEXIBLE HYDRAULIC	耐油橡膠管	R1-Φ3/8"XW9/16"-18UNFX0.35M	1.00	EA
10.00	NV 00069660302 CLAMP, HOSE	不銹鋼管夾	2"(32-50MM)	1.00	EA
11.01	NL 00069650122 HOSE WITH FIBER	明網管	HOSEΦ1-1/4"X2M	1.00	MT
12.00	NV 00077030569 CONNECTOR	插心直接頭	PT1"XΦ1-1/4"	1.00	EA
13.00	NV 00069660302 CLAMP, HOSE	不銹鋼管夾	2"(32-50MM)	1.00	EA
14.00	NL 00069650109 HOSE, FLEXIBLE HYDRAULIC	耐油橡膠管	R1-Φ3/8"XW9/16"-18UNFX2.23M	2.00	EA
15.00	NL 00069650104 HOSE, FLEXIBLE HYDRAULIC	耐油橡膠管(外覆鋼絲)	R1-Φ3/8"XW9/16"-18UNFX1.2M	2.00	EA
16.00	NV 00077030208 NIPPLE, STRAIGHT	直接頭	PT3/8X9/16-18UNF	4.00	EA
17.02	BL 00069650206 HOSE, FLEXIBLE HYDRAULIC	耐油橡膠管	R1-Φ3/8"XW9/16"-18UNFX1.15M	2.00	EA
19.00	NV 00077030210 NIPPLE, STRAIGHT	直接頭	PT1/4"X9/16"-18UNF	2.00	EA
20.01	NV 00069650194 HOSE, FLEXIBLE HYDRAULIC	耐油橡膠管2.1M	R1-Φ1/2"XW3/4"-16UNFX2.1M	1.00	EA

PRODUCT BOM MASTER AND SUB-ITEMS LIST

Item	Part NO.	Description	中文名稱	Specification	Qty	Unit
21.00	NV 00077031528	ELBOW, 90 DEG MALE	90度肘管接頭	PT1/2"(MALE)X3/4"-16UNF(MALE)	3.00	EA
22.00	NL 00069650106	HOSE, FLEXIBLE HYDRAULIC	耐油橡膠管	R1-Φ1/2"XW3/4"-16UNFX0.27M	1.00	EA
23.00	NV 00077031708	PLUG, SOCKET HEX.	塞頭(六角內穴)	PT1	1.00	EA
24.00	NV 00077030232	NIPPLE, STRAIGHT	直接頭	PT1/2X3/4-16UNF	2.00	EA
25.00	BL 00077030601	UNION	直雙內牙接頭(中間接頭)	PT1/8XPT1/8	1.00	EA
26.00	NV 00077031701	PLUG, SOCKET HEX.	塞頭	PT1/8	1.00	EA
27.00	NV 00077031201	BUSHING, BRASS	卜申接頭(卜申+套管+套管帽)	PT1/8XM10XP1	2.00	EA
28.00	NV 00077030208	NIPPLE, STRAIGHT	直接頭	PT3/8X9/16-18UNF	2.00	EA
29.00	NV 00077031215	BUSHING	卜申接頭(銅)	PT1/4"MXPT1/8"F	1.00	EA
30.00	NV 00077031201	BUSHING, BRASS	卜申接頭(卜申+套管+套管帽)	PT1/8XM10XP1	1.00	EA
31.00	NV 00077031215	BUSHING	卜申接頭(銅)	PT1/4"MXPT1/8"F	1.00	EA
32.00	FG 0007007HS03	NYLON TUBING, HIGH PRESSURE	超高壓尼龍油管	R200-02,M10XP1.0XL0.4MX2SIDE	1.00	EA
33.00	NV 00077031801	ELBOW, BRASS 90DEG MALE&FEMALE	直角接頭(銅)	PT1/8"XM10(論興:GB00006M01T)	1.00	EA
34.00	NV 00077031219	BUSHING	卜申接頭	PT3/8(MALE)"PTX1/8"(FEMALE)	1.00	EA

C	修改長度20.0mm>0.4mm, 增加0.1mm	2018/01/05	1004476	REV	DESCRIPTION	DATE	ECN
D	修改長度# 1.4 1mm->0.7mm	2018/01/11	1004624	A	零件修圖	2017/1/18	1004270
E	零件修圖	2019/01/18	338531	B	二主軸迴轉軸(AB)修圖	2017/5/8	1004388
				B	增加油壓管(外覆鋼線)	2017/5/17	1004988



MODEL:	TALENT 42/51 S/MS/MSY/MSYX2 + LIO SHING
PART NAME:	HYDRAULIC PIPE LAYOUT
PART NUMBER:	NL 000013331A
油壓管路-成套管路接頭	
SCALE:	1:16
DATE:	2015/12/31
REV:	E

油壓箱上視圖
Oil Tank-Top view

PRODUCT BOM MASTER AND SUB-ITEMS LIST

Master Item Part NO.: NL 000013331A

Description: HYDRAULIC HOSE&FITTING
油壓管路

Item Part NO.	Description	中文名稱	Specification	Qty	Unit
1.00	NV 00069650194 HOSE, FLEXIBLE HYDRAULIC	耐油橡膠管2.1M	R1-Φ1/2"XW3/4"-16UNFX2.1M	1.00	EA
2.00	NV 00077031528 ELBOW, 90 DEG MALE	90度肘管接頭	PT1/2"(MALE)X3/4"-16UNF(MALE)	1.00	EA
3.00	NV 00077030232 NIPPLE, STRAIGHT	直接頭	PT1/2X3/4-16UNF	2.00	EA
4.00	NL 00069650108 HOSE, FLEXIBLE HYDRAULIC	耐油橡膠管	R1-Φ1/2"XW3/4"-16UNFX0.29M	1.00	EA
5.00	NV 00077030569 CONNECTOR	插心直接頭	PT1"XΦ1-1/4"	1.00	EA
6.00	NV 00069660302 CLAMP, HOSE	不銹鋼管夾	2"(32-50MM)	1.00	EA
7.01	NL 00069650121 HOSE WITH FIBER	明網管	HOSEΦ1-1/4"X2.2M	1.00	MT
10.00	BL 00069650226 HOSE, FLEXIBLE HYDRAULIC	耐油橡膠管(一直一90度)	R1-Φ3/8"XW9/16"-18UNFX0.35M	1.00	EA
11.00	BL 00069650227 HOSE, FLEXIBLE HYDRAULIC	耐油橡膠管(一直一90度)	R1-Φ3/8"XW9/16"-18UNFX0.38M	1.00	EA
12.00	NV 00069660302 CLAMP, HOSE	不銹鋼管夾	2"(32-50MM)	1.00	EA
13.00	NV 00077031508 ELBOW, 90 DEG MALE	90度肘管接頭	PT1/8"(MALE)XW7/16"-20UNF(MALE)	1.00	EA
14.00	NV 00069650325 HOSE, FLEXIBLE HYDRAULIC	耐油橡膠管	R1-Φ1/4"XW7/16"-20UNFX0.7M	1.00	EA
15.00	BL 00069650232 HOSE, FLEXIBLE HYDRAULIC	耐油橡膠管	R1-Φ3/8"XW9/16"-18UNFX0.35M	1.00	EA
20.02	FG 0007007HS03 NYLON TUBING, HIGH PRESSURE	超高壓尼龍油管	R200-02,M10XP1.0XL0.4MX2SIDE	1.00	EA
24.00	GH 00069650014 HOSE, FLEXIBLE HYDRAULIC	耐油橡膠管	R1-Φ3/8"XW9/16"-18UNFX7.6M	2.00	EA
25.00	BL 00069650176 HOSE, FLEXIBLE HYDRAULIC	耐油橡膠管	R1-Φ3/8"XW9/16"-18UNFX4.3M	2.00	EA
26.00	NV 00077030210 NIPPLE, STRAIGHT	直接頭	PT1/4"X9/16"-18UNF	2.00	EA
27.02	BL 00069650206 HOSE, FLEXIBLE HYDRAULIC	耐油橡膠管	R1-Φ3/8"XW9/16"-18UNFX1.15M	2.00	EA
28.00	NV 00077030208 NIPPLE, STRAIGHT	直接頭	PT3/8X9/16-18UNF	6.00	EA

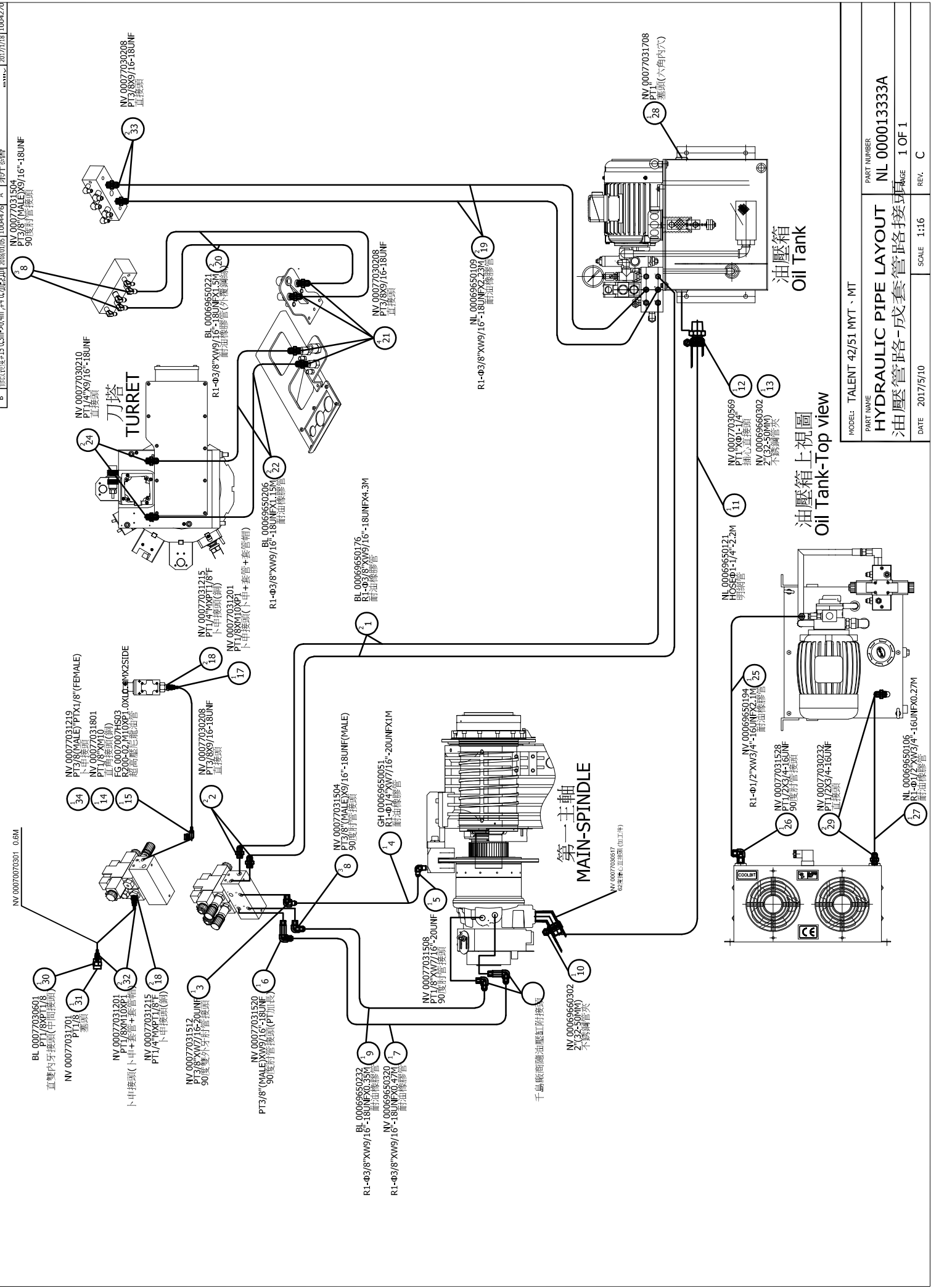
PRODUCT BOM MASTER AND SUB-ITEMS LIST

Item	Part NO.	Description	中文名稱	Specification	Qty	Unit
29.00	BL 00069650221	HOSE, FLEXIBLE HYDRAULIC	耐油橡膠管(外覆鋼絲)	R1-Φ3/8"XW9/16"-18UNFX1.5M	2.00	EA
30.00	NL 00069650109	HOSE, FLEXIBLE HYDRAULIC	耐油橡膠管	R1-Φ3/8"XW9/16"-18UNFX2.23M	2.00	EA
31.00	BL 00069650222	HOSE, FLEXIBLE HYDRAULIC	耐油橡膠管	R1-Φ1/4"XW7/16-20UNFX2.6M	1.00	EA
32.00	NV 00069650162	HOSE, FLEXIBLE HYDRAULIC	耐油橡膠管(一直一90度)	R1-Φ3/8"XW9/16"-18UNFX1.89M	1.00	EA
33.00	NL 00069650110	HOSE, FLEXIBLE HYDRAULIC	耐油橡膠管(雙90度接頭)(N字型)	R1-Φ3/8"XW9/16"-18UNFXL1.9M	1.00	EA
41.00	BL 00069650165	HOSE, FLEXIBLE HYDRAULIC	耐油橡膠管(外覆鋼絲)	R1-Φ3/8"XW9/16"-18UNFX1.6M	2.00	EA
42.00	NV 00069650309	HOSE, FLEXIBLE HYDRAULIC	耐油橡膠管(外覆鋼絲)	R1-Φ1/4"XW7/16"-20UNFX1.6M	1.00	EA
47.00	NV 00077030225	NIPPLE, STRAIGHT	直接頭	PT1/2"X9/16"-18UNF	2.00	EA
49.00	NL 00069650120	HOSE, FLEXIBLE HYDRAULIC	耐油橡膠管	R1-Φ1/4"X7/16"-20UNFX0.35M	1.00	EA
50.00	NV 00077031508	ELBOW, 90 DEG MALE	90度肘管接頭	PT1/8"(MALE)XW7/16"-20UNF(MALE)	1.00	EA
51.01	NV 00077030502	CONNECTOR	插心直接頭	PT1"XΦ3/4"	1.00	EA
52.01	NL 00069650123	HOSE, FLEXIBLE HYDRAULIC	耐油橡膠管	SC KINGFLEX 3/4"*0.7M	1.00	EA
53.00	NV 00077030510	CONNECTOR, 90 DEGREE	90度插心接頭	PT1"XΦ3/4"	1.00	EA
54.01	NV 00077030510	CONNECTOR, 90 DEGREE	90度插心接頭	PT1"XΦ3/4"	1.00	EA
55.00	NL 00069650115	HOSE, FLEXIBLE HYDRAULIC	耐油橡膠管	SC KINGFLEX 3/4"*0.95M	1.00	EA
56.00	NV 00077030251	CONNECTOR	直接頭	PT3/4"X1 1/16-12UNF	1.00	EA
57.00	NV 00077030506	CONNECTOR, 90 DEGREE	90度插心接頭	PT3/4"XΦ3/4"	1.00	EA
58.00	NV 00077030251	CONNECTOR	直接頭	PT3/4"X1 1/16-12UNF	1.00	EA
59.00	NL 00069650113	HOSE, FLEXIBLE HYDRAULIC	耐油橡膠管(外覆鋼絲)	R1-Φ3/4"XW1-1/16"-12UNFX1.2M	1.00	EA
60.00	NV 00077030528	CONNECTOR	插心直接頭	PT3/4"XΦ11/4"	1.00	EA
61.00	NL 00069650119	HOSE WITH FIBER	明網管	HOSEΦ1-1/4"X1.2M	1.00	MT
62.00	NV 00077030569	CONNECTOR	插心直接頭	PT1"XΦ1-1/4"	1.00	EA

PRODUCT BOM MASTER AND SUB-ITEMS LIST

Item	Part NO.	Description	中文名稱	Specification	Qty	Unit
63.00	NV 00069660302	CLAMP, HOSE	不銹鋼管夾	2"(32-50MM)	4.00	EA
65.00	NV 00069650320	HOSE, FLEXIBLE HYDRAULIC	耐油橡膠管	R1-Φ3/8"XW9/16"-18UNFX0.47M	1.00	EA
66.00	NV 00077031201	BUSHING, BRASS	卜申接頭(卜申+套管+套管帽)	PT1/8XM10XP1	3.00	EA
67.00	BL 00077030601	UNION	直雙內牙接頭(中間接頭)	PT1/8XPT1/8	2.00	EA
68.00	NV 00077031701	PLUG, SOCKET HEX.	塞頭	PT1/8	2.00	EA
69.00	NV 00069660301	CLAMP, HOSE	不銹鋼管夾	1 1/4"(20-32MM)	4.00	EA

C	新工機零件號	2019/4/18	338331	B	新增超高壓配油管	2017/5/10	1004476	REV	DESCRIPTION	DATE	ECN.
B	修改管徑#15 0.3mm->0.4mm #1 0.7mm->0.8mm	2018/01/05	1004476	A	零件發會	2017/5/10	1004476	A	零件發會	2017/1/18	1004270



MODEL:	TALENT 42/51 MYT、MT
PART NAME:	HYDRAULIC PIPE LAYOUT
PART NUMBER:	NL 000013333A
SCALE:	1:16
DATE:	2017/5/10
REV:	C

PRODUCT BOM MASTER AND SUB-ITEMS LIST

Master Item Part NO.: NL 000013333A

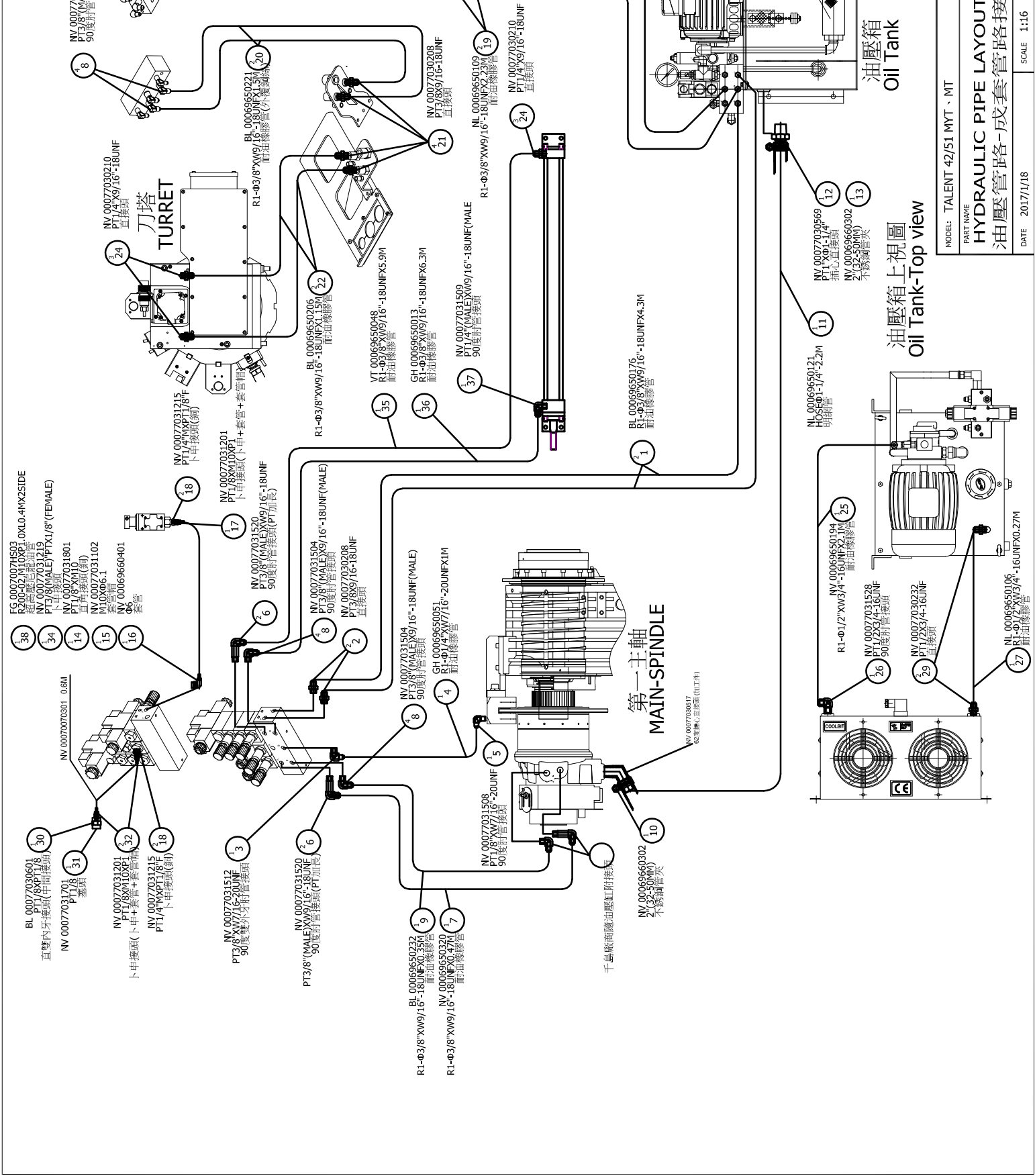
Description: HYDRAULIC HOSE&FITTING
油壓管路

Item Part NO.	Description	中文名稱	Specification	Qty	Unit
1.00	BL 00069650176	耐油橡膠管	R1-Φ3/8"XW9/16"-18UNFX4.3M	2.00	EA
2.00	NV 00077030208	直接頭	PT3/8X9/16-18UNF	2.00	EA
3.00	NV 00077031512	90度雙外牙肘管接頭	PT3/8"XW7/16"-20UNF	1.00	EA
4.02	NV 00069650325	耐油橡膠管	R1-Φ1/4"XW7/16"-20UNFX0.7M	1.00	ST
5.00	NV 00077031508	90度肘管接頭	PT1/8"(MALE)XW7/16"-20UNF(MALE)	1.00	EA
6.00	NV 00077031520	90度肘管接頭(PT加長)	PT3/8"(MALE)XW9/16"-18UNF(MALE)	1.00	EA
7.00	NV 00069650320	耐油橡膠管	R1-Φ3/8"XW9/16"-18UNFX0.47M	1.00	EA
8.00	NV 00077031504	90度肘管接頭	PT3/8"(MALE)X9/16"-18UNF(MALE)	3.00	EA
9.00	BL 00069650232	耐油橡膠管	R1-Φ3/8"XW9/16"-18UNFX0.35M	1.00	EA
10.00	NV 00069660302	不銹鋼管夾	2"(32-50MM)	1.00	EA
11.01	NL 00069650121	明網管	HOSEΦ1-1/4"X2.2M	1.00	MT
12.00	NV 00077030569	插心直接頭	PT1"XΦ1-1/4"	1.00	EA
13.00	NV 00069660302	不銹鋼管夾	2"(32-50MM)	1.00	EA
14.00	NV 00077031801	直角接頭(銅)	PT1/8"XM10(論興:GB0006M01T)	1.00	EA
15.02	FG 0007007HS03	超高壓尼龍油管	R200-02,M10XP1.0XL0.4MX2SIDE	1.00	EA
17.00	NV 00077031201	卜申接頭(卜申+套管+套管帽)	PT1/8XM10XP1	1.00	EA
18.00	NV 00077031215	卜申接頭(銅)	PT1/4"MXPT1/8"F	2.00	EA
19.00	NL 00069650109	耐油橡膠管	R1-Φ3/8"XW9/16"-18UNFX2.23M	2.00	EA
20.00	BL 00069650221	耐油橡膠管(外覆鋼絲)	R1-Φ3/8"XW9/16"-18UNFX1.5M	2.00	EA

PRODUCT BOM MASTER AND SUB-ITEMS LIST

Item	Part NO.	Description	中文名稱	Specification	Qty	Unit
21.00	NV 00077030208	NIPPLE, STRAIGHT	直接頭	PT3/8X9/16-18UNF	4.00	EA
22.02	BL 00069650206	HOSE, FLEXIBLE HYDRAULIC	耐油橡膠管	R1-Φ3/8"XW9/16"-18UNFX1.15M	2.00	EA
24.00	NV 00077030210	NIPPLE, STRAIGHT	直接頭	PT1/4"X9/16"-18UNF	2.00	EA
25.01	NV 00069650194	HOSE, FLEXIBLE HYDRAULIC	耐油橡膠管2.1M	R1-Φ1/2"XW3/4"-16UNFX2.1M	1.00	EA
26.00	NV 00077031528	ELBOW, 90 DEG MALE	90度肘管接頭	PT1/2"(MALE)X3/4"-16UNF(MALE)	3.00	EA
27.00	NL 00069650106	HOSE, FLEXIBLE HYDRAULIC	耐油橡膠管	R1-Φ1/2"XW3/4"-16UNFX0.27M	1.00	EA
28.00	NV 00077031708	PLUG, SOCKET HEX.	塞頭(六角內穴)	PT1	1.00	EA
29.00	NV 00077030232	NIPPLE, STRAIGHT	直接頭	PT1/2X3/4-16UNF	2.00	EA
30.00	BL 00077030601	UNION	直雙內牙接頭(中間接頭)	PT1/8XPT1/8	1.00	EA
31.00	NV 00077031701	PLUG, SOCKET HEX.	塞頭	PT1/8	1.00	EA
32.00	NV 00077031201	BUSHING, BRASS	卜申接頭(卜申+套管+套管帽)	PT1/8XM10XP1	2.00	EA
33.00	NV 00077030208	NIPPLE, STRAIGHT	直接頭	PT3/8X9/16-18UNF	2.00	EA
34.00	NV 00077031219	BUSHING	卜申接頭	PT3/8(MALE)"PTX1/8"(FEMALE)	1.00	EA

REV.	DESCRIPTION	DATE	ENCL.
A	零件發售	2017/1/18	1004270
B	新增#38,修改#4,增加#0,2,≥10	2018/01/05	1004476
C	新增物料號	2019/4/18	338531



MODEL:	TALENT 42/51 MYT, MT
PART NUMBER:	NL 000013334A
PAGE:	1 OF 1
DATE:	2017/1/18
SCALE:	1:16
REV.:	C

PRODUCT BOM MASTER AND SUB-ITEMS LIST

Master Item Part NO.: NL 000013334A

Description: HYDRAULIC HOSE&FITTING
油壓管路

Item Part NO.	Description	中文名稱	Specification	Qty	Unit
1.00	BL 00069650176	耐油橡膠管	R1-Φ3/8"XW9/16"-18UNFX4.3M	2.00	EA
2.00	NV 00077030208	直接頭	PT3/8X9/16-18UNF	2.00	EA
3.00	NV 00077031512	90度雙外牙肘管接頭	PT3/8"XW7/16"-20UNF	1.00	EA
4.02	NV 00069650325	耐油橡膠管	R1-Φ1/4"XW7/16"-20UNFX0.7M	1.00	EA
5.00	NV 00077031508	90度肘管接頭	PT1/8"(MALE)XW7/16"-20UNF(MALE)	1.00	EA
6.00	NV 00077031520	90度肘管接頭(PT加長)	PT3/8"(MALE)XW9/16"-18UNF(MALE)	2.00	EA
7.00	NV 00069650320	耐油橡膠管	R1-Φ3/8"XW9/16"-18UNFX0.47M	1.00	EA
8.00	NV 00077031504	90度肘管接頭	PT3/8"(MALE)X9/16"-18UNF(MALE)	4.00	EA
9.00	BL 00069650232	耐油橡膠管	R1-Φ3/8"XW9/16"-18UNFX0.35M	1.00	EA
10.00	NV 00069660302	不銹鋼管夾	2"(32-50MM)	1.00	EA
11.01	NL 00069650121	明網管	HOSEΦ1-1/4"X2.2M	1.00	MT
12.00	NV 00077030569	插心直接頭	PT1"XΦ1-1/4"	1.00	EA
13.00	NV 00069660302	不銹鋼管夾	2"(32-50MM)	1.00	EA
14.00	NV 00077031801	直角接頭(銅)	PT1/8"XM10(論興:GB0006M01T)	1.00	EA
15.00	NV 00077031102	套管帽	M10XΦ6.1	1.00	EA
16.00	NV 00069660401	套管	Φ6	1.00	EA
17.00	NV 00077031201	卜申接頭(卜申+套管+套管帽)	PT1/8XM10XP1	1.00	EA
18.00	NV 00077031215	卜申接頭(銅)	PT1/4"MXPT1/8"F	2.00	EA
19.00	NL 00069650109	耐油橡膠管	R1-Φ3/8"XW9/16"-18UNFX2.23M	2.00	EA

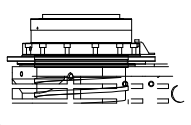
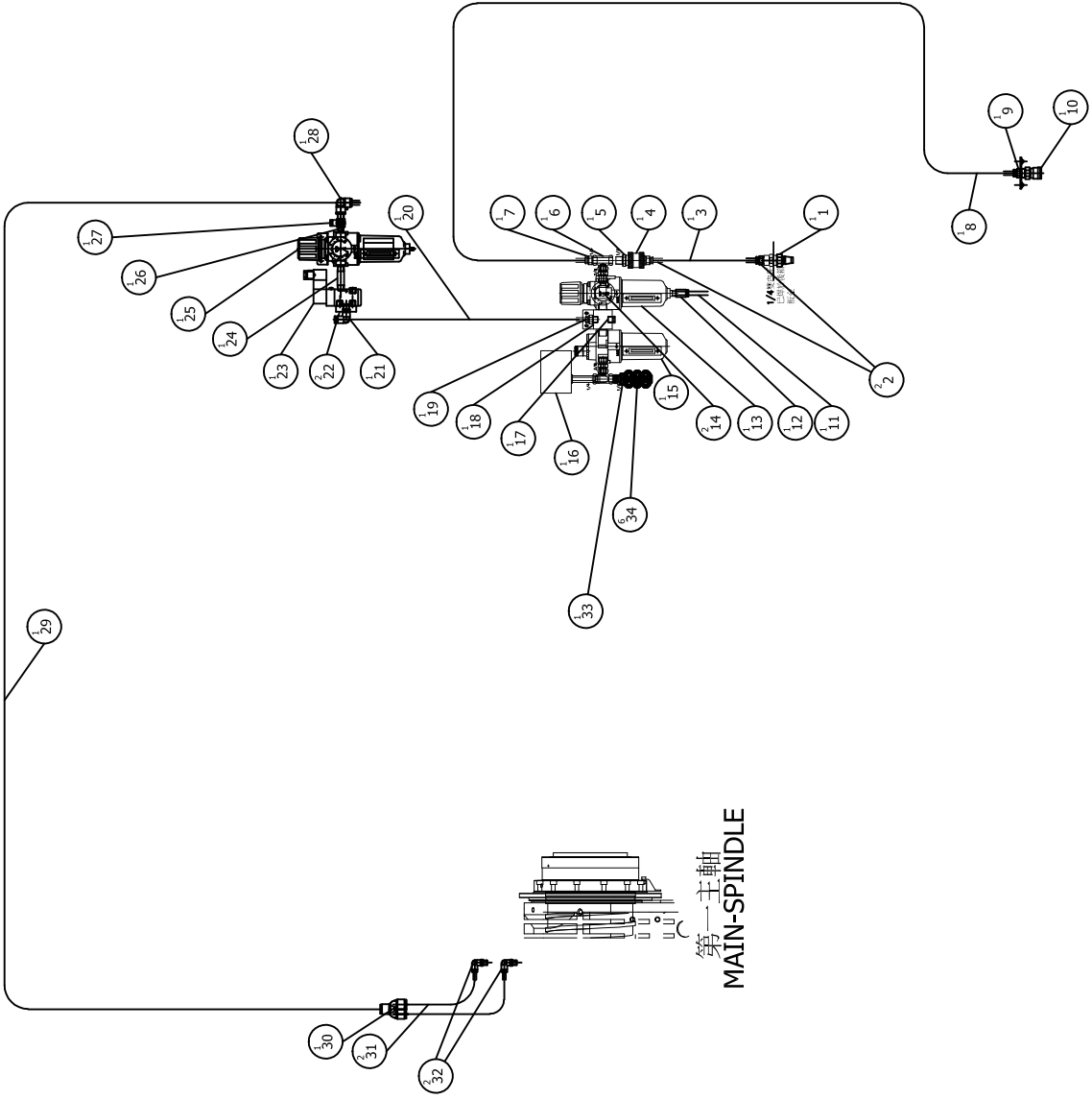
PRODUCT BOM MASTER AND SUB-ITEMS LIST

Item	Part NO.	Description	中文名稱	Specification	Qty	Unit
20.00	BL 00069650221	HOSE, FLEXIBLE HYDRAULIC	耐油橡膠管(外覆鋼絲)	R1-Φ3/8"XW9/16"-18UNFX1.5M	2.00	EA
21.00	NV 00077030208	NIPPLE, STRAIGHT	直接頭	PT3/8X9/16-18UNF	4.00	EA
22.02	BL 00069650206	HOSE, FLEXIBLE HYDRAULIC	耐油橡膠管	R1-Φ3/8"XW9/16"-18UNFX1.15M	2.00	EA
24.00	NV 00077030210	NIPPLE, STRAIGHT	直接頭	PT1/4"X9/16"-18UNF	3.00	EA
25.00	BL 00069650194	HOSE, FLEXIBLE HYDRAULIC	耐油橡膠管	R1-Φ1/2"XW3/4"-16UNFX1.2M	1.00	EA
26.00	NV 00077031528	ELBOW, 90 DEG MALE	90度肘管接頭	PT1/2"(MALE)X3/4"-16UNF(MALE)	3.00	EA
27.00	NL 00069650106	HOSE, FLEXIBLE HYDRAULIC	耐油橡膠管	R1-Φ1/2"XW3/4"-16UNFX0.27M	1.00	EA
28.00	NV 00077031708	PLUG, SOCKET HEX.	塞頭(六角內穴)	PT1	1.00	EA
29.00	NV 00077030232	NIPPLE, STRAIGHT	直接頭	PT1/2X3/4-16UNF	2.00	EA
30.00	BL 00077030601	UNION	直雙內牙接頭(中間接頭)	PT1/8XPT1/8	1.00	EA
31.00	NV 00077031701	PLUG, SOCKET HEX.	塞頭	PT1/8	1.00	EA
32.00	NV 00077031201	BUSHING, BRASS	卜申接頭(卜申+套管+套管帽)	PT1/8XM10XP1	2.00	EA
33.00	NV 00077030208	NIPPLE, STRAIGHT	直接頭	PT3/8X9/16-18UNF	2.00	EA
34.00	NV 00077031219	BUSHING	卜申接頭	PT3/8(MALE)PTX1/8"(FEMALE)	1.00	EA
35.01	VT 00069650048	HOSE, FLEXIBLE HYDRAULIC	耐油橡膠管	R1-Φ3/8"XW9/16"-18UNFX5.9M	1.00	EA
36.00	GH 00069650013	HOSE, FLEXIBLE HYDRAULIC	耐油橡膠管	R1-Φ3/8"XW9/16"-18UNFX6.3M	1.00	EA
37.00	NV 00077031509	ELBOW, 90 DEG MALE	90度肘管接頭	PT1/4"(MALE)XW9/16"-18UNF(MALE)	1.00	EA
38.00	FG 0007007HS03	NYLON TUBING, HIGH PRESSURE	超高壓尼龍油管	R200-02,M10XP1.0XL0.4MX2SIDE	1.00	EA

Chapter 7

氣壓系統

PNEUMATIC UNIT



第一主軸
MAIN-SPINDLE

MODEL: TALENT 42/51 MY	SCALE: 1:16
PART NAME PNEUMATIC PARTS(STD) 氣壓零組件(標準)	REV: A
PART NUMBER NL 000280403A	PAGE 1 OF 1
DATE: 2016/5/31	

PRODUCT BOM MASTER AND SUB-ITEMS LIST

Master Item Part NO.: NL 000280403A

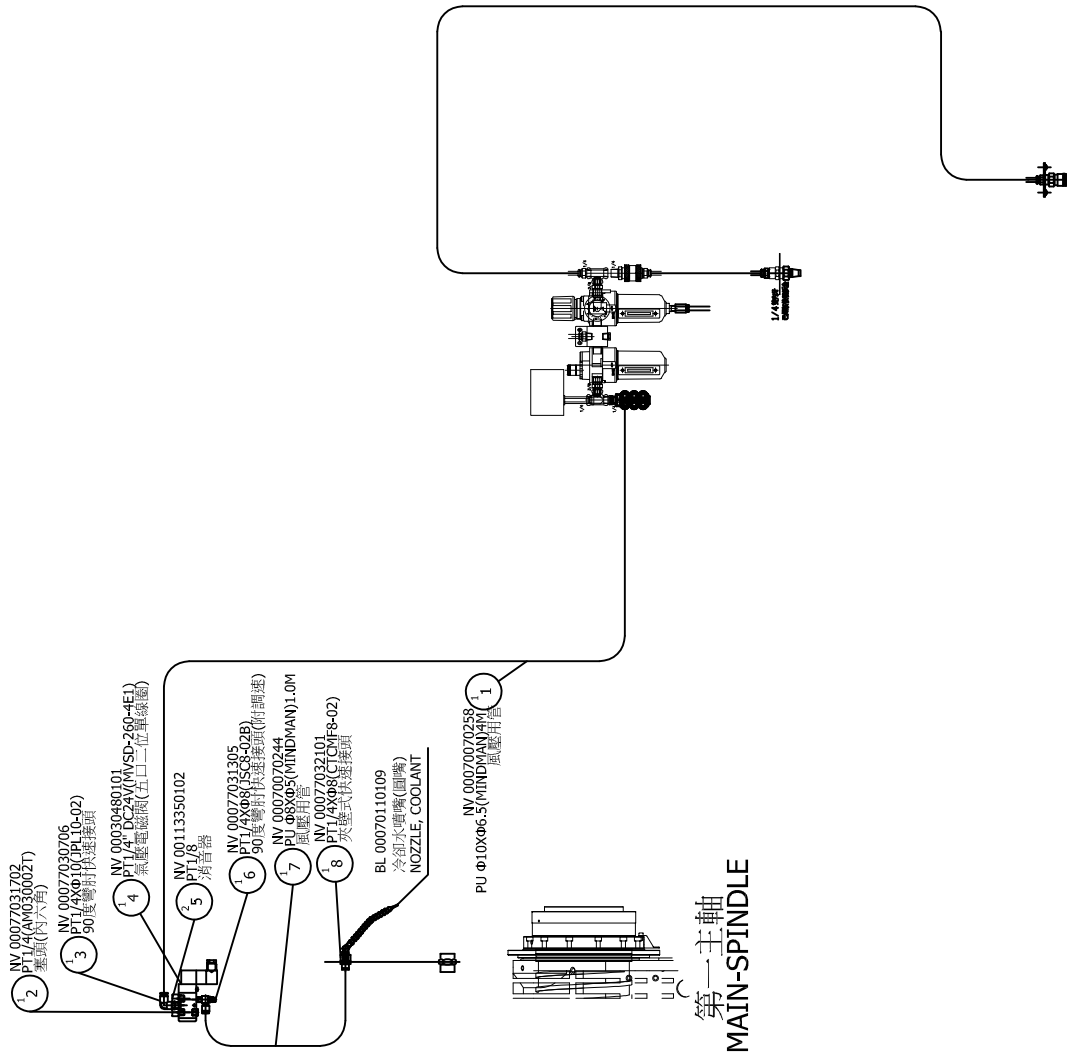
Description: PNEUMATIC PARTS (STANDARD)
氣壓零組件 (標準)

Item	Part NO.	Description	中文名稱	Specification	Qty	Unit
1.00	NV 00077031402	PRESTO ADAPTER, STRAIGHT MALE	外牙直快速接頭(公)	PT1/4"(PM20)	1.00	EA
2.00	NV 00077030811	STRAIGHT, PRESTO ADAPTER	直型快速接頭	PT1/4XΦ10(JPC10-02)	2.00	EA
3.00	NV 00070070249	TUBING, PNEUMATIC	風壓用管	PU Φ10XΦ6.5(MINDMAN)2.65M	1.00	EA
4.00	NV 00100590303	HAND SLIDE VALVE	滑動開關	PT1/4, MVHS-8A	1.00	EA
5.00	NV 00077030217	NIPPLE, STRAIGHT	直接頭	PT1/4"XPT3/8"	1.00	EA
6.00	BL 00077030402	TEE UNION	內螺紋三通	PT1/4"	1.00	EA
7.00	NV 00077030806	STRAIGHT, PRESTO ADAPTER	直型快速接頭	PT1/4XΦ8(JPC8-02)	1.00	EA
8.00	NV 00070070241	TUBING, PNEUMATIC	風壓用管	PU Φ8XΦ5(MINDMAN)1.5M	1.00	EA
9.00	NV 00077030806	STRAIGHT, PRESTO ADAPTER	直型快速接頭	PT1/4XΦ8(JPC8-02)	1.00	EA
10.00	NV 00077030901	PRESTO ADAPTER, STRIGHT(FEMALE)	內牙直快速接頭(母)	PT1/4"(SF20)	1.00	EA
11.00	NV 00070070201	TUBING,PNEUMATIC	風壓用管	PU Φ8XΦ5(MINDMAN)2.5 M	1.00	EA
12.00	NV 00077030801	STRAIGHT, PRESTO ADAPTER	直型快速接頭	PT1/8(F)XΦ8(JPG8-01)	1.00	EA
13.00	NV 00107790202	AUTOMATIC DRAIN WATER	自動排水器	MADV-400(500DM)	1.00	EA
14.00	NV 00115370104	GAGE, PRESSURE	壓力錶	PT1/8"X10KGXΨ 1 1/2"(P-A1510)	2.00	EA
15.00	NV 00107790113	FILTER/REGULATOR UNIT	三聯組合	MACP401-10A-D(MINDMAN)	1.00	EA
16.00	NV 00117360101	PRESSURE SWITCH(KP35)	壓力開關	0.2~7KG/CM2 1/4	1.00	EA
17.00	NV 00077031702	PLUG, SOCKET HEX.	塞頭(內六角)	PT1/4(AM030002T)	1.00	EA
18.00	NV 00107790304	CROSS UNION(FILTER/REGULATOR U	三聯組合用四通閥	P101-2(MINDMAN),PT1/4"X2	1.00	EA
19.00	NV 00077030806	STRAIGHT, PRESTO ADAPTER	直型快速接頭	PT1/4XΦ8(JPC8-02)	1.00	EA

PRODUCT BOM MASTER AND SUB-ITEMS LIST

Item	Part NO.	Description	中文名稱	Specification	Qty	Unit
20.00	NV 00070070260	TUBING, PNEUMATIC	風壓用管	PU ϕ 8X ϕ 5(MINDMAN)1.8M	1.00	EA
21.00	NV 00077030702	PRESTO ADAPTER, ELBOW	90度彎肘快速接頭	PT1/4X ϕ 8(JPL8-02)	1.00	EA
22.00	NV 00113350102	MUFFLER, BREATHER	消音器	PT1/8	2.00	EA
23.00	NV 00030480101	VALVE, PT1/4 2 WAY PNEUMATIC	氣壓電磁閥(五口二位單線圈)	PT1/4" DC24V(MVSD-260-4E1)	1.00	EA
24.00	NV 00077030220	PIPE	2吋牙管	PT1/4XPT1/4X2"L(WEU-02-2)	1.00	EA
25.00	BL 00107790110	FILTER AND REGULATOR (5U)	調壓過濾器(5U)	MAFR300L-8A-D(1/4)	1.00	ST
26.00	NV 00077031602	TEE ADAPTER, FEMALE&MALE	內外牙三通	PT1/4"(M)XPT1/4"(F)XPT1/4"(F)	1.00	EA
27.00	NV 00117360109	PRESSURE SWITCH	壓力開關	(PMM2A14K),0.15~2KG/CM2,PT1/4"	1.00	EA
28.00	NV 00077030702	PRESTO ADAPTER, ELBOW	90度彎肘快速接頭	PT1/4X ϕ 8(JPL8-02)	1.00	EA
29.00	NV 00070070240	TUBING, PNEUMATIC	風壓用管	PU ϕ 8X ϕ 5(MINDMAN)3M	1.00	EA
30.00	BL 00077031121	PRESTO ADAPTER, TEE	三通快速接頭	ϕ 8 X ϕ 8X ϕ 8	1.00	EA
31.00	NV 00070070225	TUBING,PNEUMATIC	風壓用管	PU ϕ 8X ϕ 5(MINDMAN)0.55M	2.00	EA
32.00	NV 00077030705	PRESTO ADAPTER, ELBOW	90度彎肘快速接頭	PT1/8X ϕ 8	2.00	EA
33.00	NL 00077030801	STRAIGHT, PRESTO ADAPTER	三重歧管A型	PT1/4X6- ϕ 10(PAT10-02)	1.00	EA
34.00	GL 00077032801	PISCO CONNECTOR	PISCO省力接頭(快速接頭塞頭)	PP10(ϕ 10)	6.00	EA

REV.	DESCRIPTION	DATE	ENL.
A	料號方文	2016/5/31	1004110
B	新增料號	2019/4/18	33831



第一主軸
MAIN-SPINDLE

MODEL: TALENT 42/51 MY	PART NUMBER
PNEUMATIC PARTS(AIR BLASTING)	NL 000280404A
氣壓零組件(吹氣裝置)	Page 1 OF 1
DATE 2016/5/31	REV. B
SCALE 1:16	

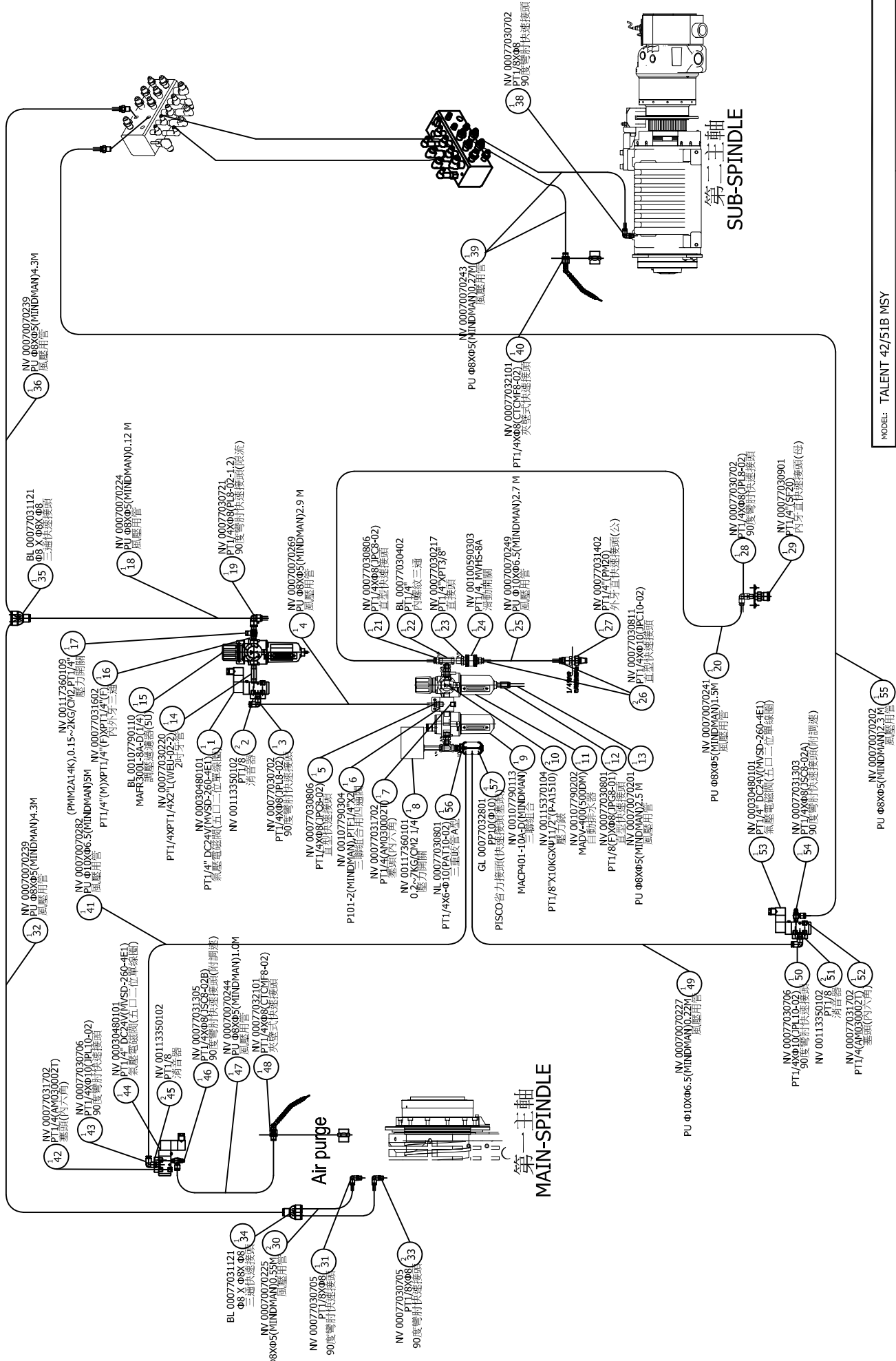
PRODUCT BOM MASTER AND SUB-ITEMS LIST

Master Item Part NO.: NL 000280404A

Description: PNEUMATIC PARTS (AIR BLASTING)
氣壓零組件 (吹氣裝置)

Item Part NO.	Description	中文名稱	Specification	Qty	Unit
1.00 NV 00070070258	TUBING, PNEUMATIC	風壓用管	PU Φ10XΦ6.5(MINDMAN)4M	1.00	EA
2.00 NV 00077031702	PLUG, SOCKET HEX.	塞頭(內六角)	PT1/4(AM030002T)	1.00	EA
3.00 NV 00077030706	PRESTO ADAPTER, ELBOW	90度彎肘快速接頭	PT1/4XΦ10(JPL10-02)	1.00	EA
4.00 NV 00030480101	VALVE, PT1/4 2 WAY PNEUMATIC	氣壓電磁閥(五口二位單線圈)	PT1/4" DC24V(MVSD-260-4E1)	1.00	EA
5.00 NV 00113350102	MUFFLER, BREATHER	消音器	PT1/8	2.00	EA
6.01 NV 00077031303	PRESTO ADAPTER, ELBOW(ADJUSTAB	90度彎肘快速接頭(附調速)	PT1/4XΦ8(JSC8-02A)	1.00	EA
7.00 NV 00070070244	TUBING, PNEUMATIC	風壓用管	PU Φ8XΦ5(MINDMAN)1.0M	1.00	EA
8.00 NV 00077032101	PRESTO ADAPTER	夾壁式快速接頭	PT1/4XΦ8(CTCMF8-02)	1.00	EA

REV.	DESCRIPTION	DATE	ENCL.
A	零件分發	2016/06	1004198
B	從前版(PI1006)修正五通插頭#32	2017/05/15	1004368
C	修正#29 NV 000703006 -> NV 000703002	2017/06/27	1004985
D	修正#19 NV 000703070 -> NV 000703072	2018/3/23	1004533



MODEL: TALENT 42/51B MSY
PART NAME: PNEUMATIC PARTS(STD) 氣壓零件(標準)
PART NUMBER: NLB000280401A
AGE: 1 OF 1
DATE: 2015/12/31
SCALE: 1:16
REV: D

PRODUCT BOM MASTER AND SUB-ITEMS LIST

Master Item Part NO.: NLB000280401A

Description: PNEUMATIC PARTS (STANDARD)
氣壓零組件 (標準)

Item Part NO.	Description	中文名稱	Specification	Qty	Unit
1.00	NV 00030480101 VALVE, PT1/4 2 WAY PNEUMATIC	氣壓電磁閥(五口二位單線圈)	PT1/4" DC24V(MVSD-260-4E1)	1.00	EA
2.00	NV 00113350102 MUFFLER, BREATHER	消音器	PT1/8	2.00	EA
3.00	NV 00077030702 PRESTO ADAPTER, ELBOW	90度彎肘快速接頭	PT1/4XΦ8(JPL8-02)	1.00	EA
4.00	NV 00070070269 TUBING,PNEUMATIC	風壓用管	PU Φ8XΦ5(MINDMAN)2.9 M	1.00	EA
5.00	NV 00077030806 STRAIGHT, PRESTO ADAPTER	直型快速接頭	PT1/4XΦ8(JPC8-02)	1.00	EA
6.00	NV 00107790304 CROSS UNION(FILTER/REGULATOR U	三聯組用四通閥	P101-2(MINDMAN),PTF1/4"X2	1.00	EA
7.00	NV 00077031702 PLUG, SOCKET HEX.	塞頭(內六角)	PT1/4(AM030002T)	1.00	EA
8.00	NV 00117360101 PRESSURE SWITCH(KP35)	壓力開關	0.2~7KG/CM2 1/4	1.00	EA
9.00	NV 00107790113 FILTER/REGULATOR UNIT	三聯組合	MACP401-10A-D(MINDMAN)	1.00	EA
10.00	NV 00115370104 GAGE, PRESSURE	壓力錶	PT1/8"X10KGXΨ11/2"(P-A1510)	2.00	EA
11.00	NV 00107790202 AUTOMATIC DRAIN WATER	自動排水器	MADV-400(500DM)	1.00	EA
12.00	NV 00077030801 STRAIGHT, PRESTO ADAPTER	直型快速接頭	PT1/8(F)XΦ8(JPG8-01)	1.00	EA
13.00	NV 00070070201 TUBING,PNEUMATIC	風壓用管	PU Φ8XΦ5(MINDMAN)2.5 M	1.00	EA
14.00	NV 00077030220 PIPE	2吋牙管	PT1/4XPT1/4X2"L(WEU-02-2)	1.00	EA
15.00	BL 00107790110 FILTER AND REGULATOR (5U)	調壓過濾器(5U)	MAFR300L-8A-D(1/4)	1.00	ST
16.00	NV 00077031602 TEE ADAPTER, FEMALE&MALE	內外牙三通	PT1/4"(M)XPT1/4"(F)XPT1/4"(F)	1.00	EA
17.00	NV 00117360109 PRESSURE SWITCH	壓力開關	(PMM2A14K),0.15~2KG/CM2,PT1/4"	1.00	EA
18.00	NV 00070070224 TUBING,PNEUMATIC	風壓用管	PU Φ8XΦ5(MINDMAN)0.12 M	1.00	EA
19.02	NV 00077030721 PRESTO ADAPTER, ELBOW	90度彎肘快速接頭(限流)	PT1/4XΦ8(PL8-02-1.2)	1.00	EA

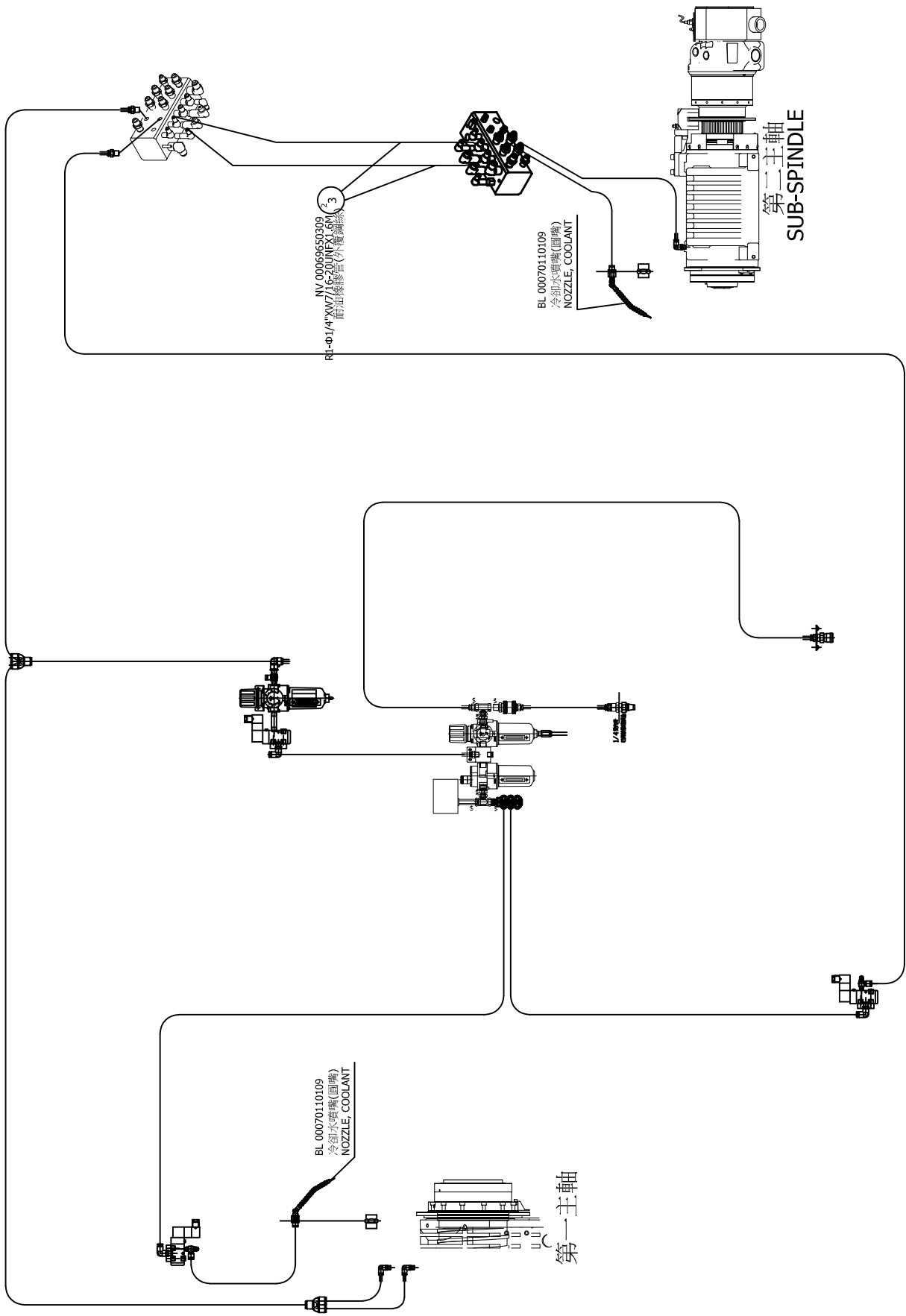
PRODUCT BOM MASTER AND SUB-ITEMS LIST

Item	Part NO.	Description	中文名稱	Specification	Qty	Unit
20.00	NV 00070070241	TUBING, PNEUMATIC	風壓用管	PU Φ8XΦ5(MINDMAN)1.5M	1.00	EA
21.00	NV 00077030806	STRAIGHT, PRESTO ADAPTER	直型快速接頭	PT1/4XΦ8(JPC8-02)	1.00	EA
22.00	BL 00077030402	TEE UNION	內螺紋三通	PT1/4"	1.00	EA
23.00	NV 00077030217	NIPPLE, STRAIGHT	直接頭	PT1/4"XPT3/8"	1.00	EA
24.00	NV 00100590303	HAND SLIDE VALVE	滑動開關	PT1/4, MVHS-8A	1.00	EA
25.00	NV 00070070249	TUBING, PNEUMATIC	風壓用管	PU Φ10XΦ6.5(MINDMAN)2.65M	1.00	EA
26.00	NV 00077030811	STRAIGHT, PRESTO ADAPTER	直型快速接頭	PT1/4XΦ10(JPC10-02)	2.00	EA
27.00	NV 00077031402	PRESTO ADAPTER, STRAIGHT MALE	外牙直快速接頭(公)	PT1/4"(PM20)	1.00	EA
28.00	NV 00077030806	STRAIGHT, PRESTO ADAPTER	直型快速接頭	PT1/4XΦ8(JPC8-02)	1.00	EA
29.00	NV 00077030901	PRESTO ADAPTER, STRIGHT(FEMALE)	內牙直快速接頭(母)	PT1/4"(SF20)	1.00	EA
30.00	NV 00070070225	TUBING,PNEUMATIC	風壓用管	PU Φ8XΦ5(MINDMAN)0.55M	1.00	EA
31.00	NV 00077030705	PRESTO ADAPTER, ELBOW	90度彎肘快速接頭	PT1/8XΦ8	1.00	EA
32.00	NV 00070070239	TUBING, PNEUMATIC	風壓用管	PU Φ8XΦ5(MINDMAN)4.3M	1.00	EA
33.00	NV 00077030705	PRESTO ADAPTER, ELBOW	90度彎肘快速接頭	PT1/8XΦ8	2.00	EA
34.00	BL 00077031121	PRESTO ADAPTER, TEE	三通快速接頭	Φ8 X Φ8X Φ8	1.00	EA
35.00	BL 00077031121	PRESTO ADAPTER, TEE	三通快速接頭	Φ8 X Φ8X Φ8	1.00	EA
36.00	NV 00070070239	TUBING, PNEUMATIC	風壓用管	PU Φ8XΦ5(MINDMAN)4.3M	1.00	EA
38.00	NV 00077030702	PRESTO ADAPTER, ELBOW	90度彎肘快速接頭	PT1/4XΦ8(JPL8-02)	1.00	EA
39.00	NV 00070070243	TUBING, PNEUMATIC	風壓用管	PU Φ8XΦ5(MINDMAN)0.27M	1.00	EA
40.00	NV 00077032101	PRESTO ADAPTER	夾壁式快速接頭	PT1/4XΦ8(CTCMF8-02)	1.00	EA
41.00	NV 00070070282	TUBING, PNEUMATIC	風壓用管	PU Φ10XΦ6.5(MINDMAN)5M	1.00	EA
42.00	NV 00077031702	PLUG, SOCKET HEX.	塞頭(內六角)	PT1/4(AM030002T)	1.00	EA

PRODUCT BOM MASTER AND SUB-ITEMS LIST

Item	Part NO.	Description	中文名稱	Specification	Qty	Unit
43.00	NV 00077030706	PRESTO ADAPTER, ELBOW	90度彎肘快速接頭	PT1/4XΦ10(JPL10-02)	1.00	EA
44.00	NV 00030480101	VALVE, PT1/4 2 WAY PNEUMATIC	氣壓電磁閥(五口二位單線圈)	PT1/4" DC24V(MVSD-260-4E1)	1.00	EA
45.00	NV 00113350102	MUFFLER, BREATHER	消音器	PT1/8	2.00	EA
46.01	NV 00077031303	PRESTO ADAPTER, ELBOW(ADJUSTAB	90度彎肘快速接頭(附調速)	PT1/4XΦ8(JSC8-02A)	1.00	EA
47.00	NV 00070070244	TUBING, PNEUMATIC	風壓用管	PU Φ8XΦ5(MINDMAN)1.0M	1.00	EA
48.00	NV 00077032101	PRESTO ADAPTER	夾壁式快速接頭	PT1/4XΦ8(CTCMF8-02)	1.00	EA
49.00	NV 00070070227	TUBING, PNEUMATIC	風壓用管	PU Φ10XΦ6.5(MINDMAN)0.22M	1.00	EA
50.00	NV 00077030706	PRESTO ADAPTER, ELBOW	90度彎肘快速接頭	PT1/4XΦ10(JPL10-02)	1.00	EA
51.00	NV 00113350102	MUFFLER, BREATHER	消音器	PT1/8	2.00	EA
52.00	NV 00077031702	PLUG, SOCKET HEX.	塞頭(內六角)	PT1/4(AM030002T)	1.00	EA
53.00	NV 00030480101	VALVE, PT1/4 2 WAY PNEUMATIC	氣壓電磁閥(五口二位單線圈)	PT1/4" DC24V(MVSD-260-4E1)	1.00	EA
54.00	NV 00077031303	PRESTO ADAPTER, ELBOW(ADJUSTAB	90度彎肘快速接頭(附調速)	PT1/4XΦ8(JSC8-02A)	1.00	EA
55.00	NV 00070070202	TUBING, PNEUMATIC	風壓用管	PU Φ8XΦ5(MINDMAN)2.3 M	1.00	EA
56.00	NL 00077030801	STRAIGHT, PRESTO ADAPTER	三重歧管A型	PT1/4X6-Φ10(PAT10-02)	1.00	EA
57.00	GL 00077032801	PISCO CONNECTOR	PISCO省力接頭(快速接頭塞頭)	PP10(Φ10)	4.00	EA
58.00	NV 00077030805	STRAIGHT, PRESTO ADAPTER	直型快速接頭	PT3/8XΦ8	2.00	EA

C	新增加料號	2019/01/19	33E331	REV	DESCRIPTION	DATE	ECN.
A	零件分會					2016/01/06	1004198
B	從新機(HT100)的維修組件#1245	2015/12/31				2015/12/31	1004368



MODEL: TALENT 42/51 B MSY	
PART NAME	PART NUMBER
氣壓零組件(高壓)	DLB000280402A
PNEUMATIC PARTS	PAGE 1 OF 1
DATE 2015/12/31	SCALE 1:16
	REV. C

PRODUCT BOM MASTER AND SUB-ITEMS LIST

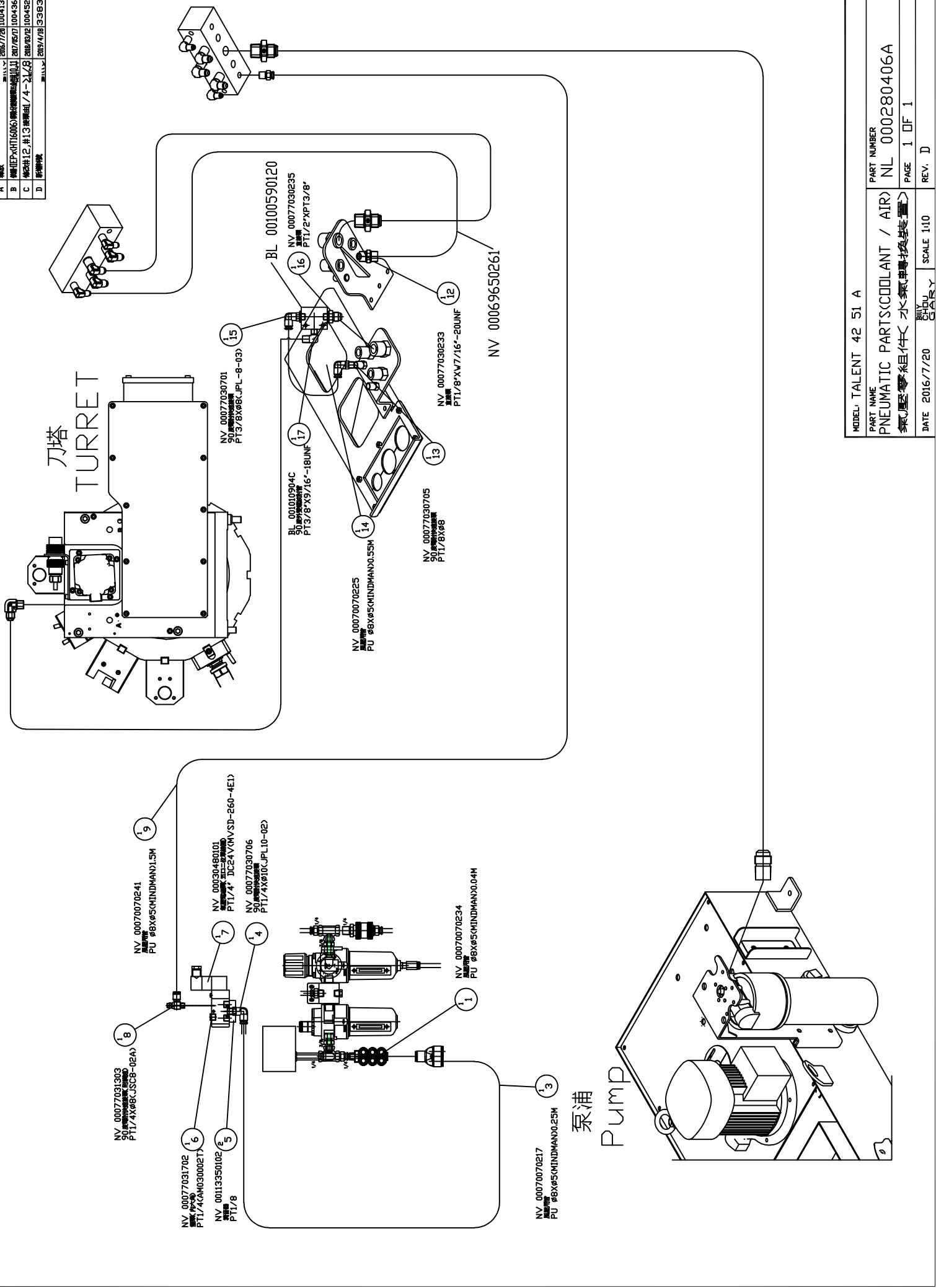
Master Item Part NO.: NLB000280402A

Description: PNEUMATIC PARTS (STANDARD)
氣壓零組件(諭興)



Item Part NO.	Description	中文名稱	Specification	Qty	Unit
3.00 NV 00069650309	HOSE, FLEXIBLE HYDRAULIC	耐油橡膠管(外覆鋼絲)	R1-Φ1/4"XW7/16"-20UNFX1.6M	2.00	EA

REV	DESCRIPTION	DATE	ECN
A	原裝	2016/7/20	1004193
B	機殼(PT16)000(機殼)機殼組裝(0.1)	2017/06/07	1004368
C	機殼12, #13 機殼1 / 4 - 2 / 3	2016/06/22	1004522
D	新機殼	2019/4/18	133831



MODEL: TALENT 42 51 A	PART NUMBER	NL 000280406A
PNEUMATIC PARTS(COOLANT / AIR)	PAGE	1 OF 1
氣壓零件(水氣/換氣裝置)	REV.	D
DATE 2016/7/20	SCALE	1:10
製圖		
檢核		

PRODUCT BOM MASTER AND SUB-ITEMS LIST

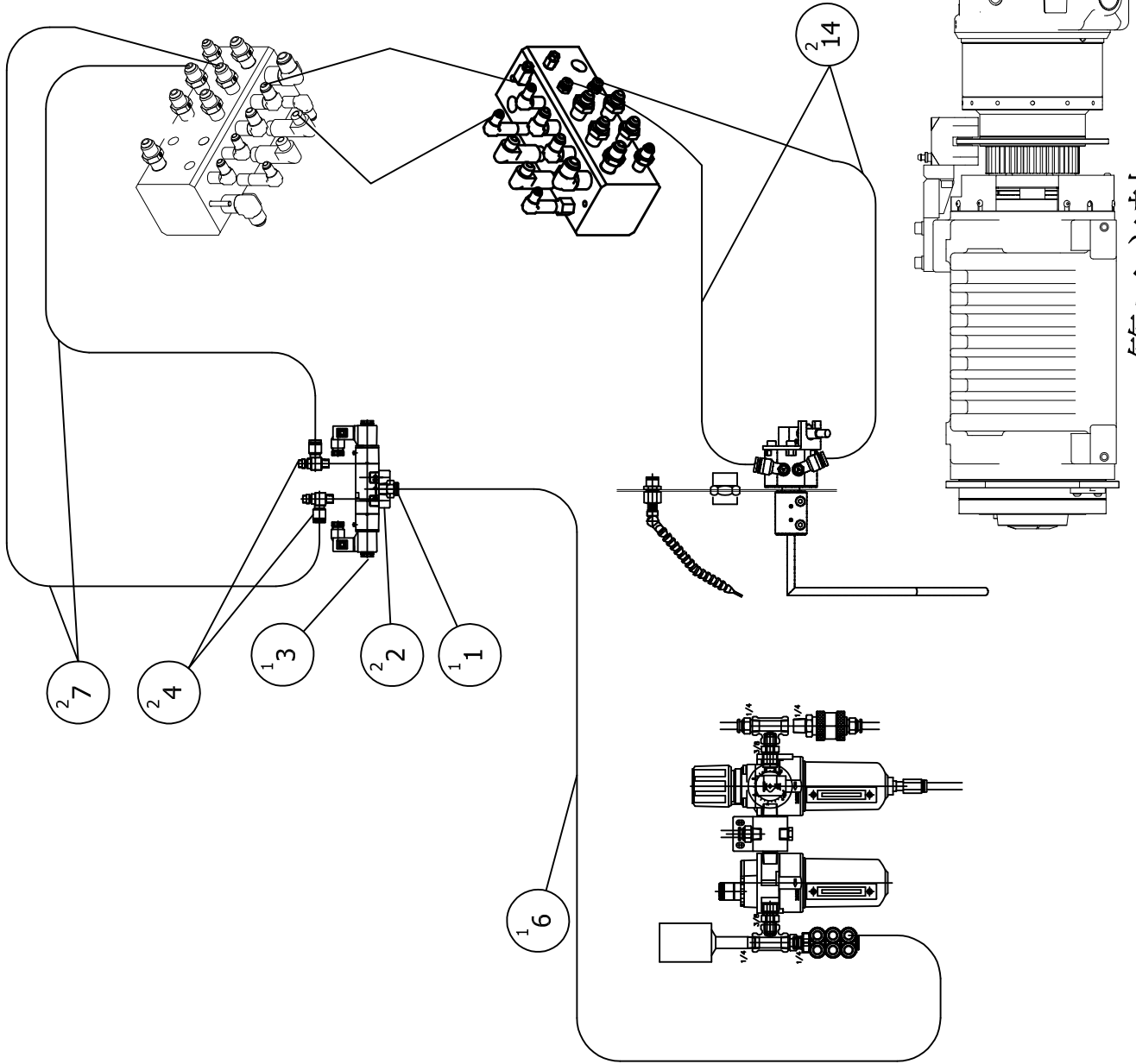
Master Item Part NO.: NL 000280406A

Description: AIRBLAST THRU-TURRET

氣壓零組件(水氣轉換)-刀塔

Item Part NO.	Description	中文名稱	Specification	Qty	Unit
1.00	NV 00070070234 TUBING,PNEUMATIC	風壓用管	PU Φ8XΦ5(MINDMAN) 0.04M	1.00	EA
3.00	NV 00070070217 TUBING, PNEUMATIC	風壓用管	PU Φ8XΦ5(MINDMAN)0.25M	1.00	EA
4.01	NV 00077030706 PRESTO ADAPTER, ELBOW	90度彎肘快速接頭	PT1/4XΦ10(JPL10-02)	1.00	EA
5.00	NV 00113350102 MUFFLER, BREATHER	消音器	PT1/8	1.00	EA
6.00	NV 00077031702 PLUG, SOCKET HEX.	塞頭(內六角)	PT1/4(AM030002T)	1.00	EA
7.00	NV 00030480101 VALVE, PT1/4 2 WAY PNEUMATIC	氣壓電磁閥(五口二位單線圈)	PT1/4" DC24V(MVSD-260-4E1)	1.00	EA
8.00	NV 00077031303 PRESTO ADAPTER, ELBOW(AJUSTAB	90度彎肘快速接頭(附調速)	PT1/4XΦ8(JSC8-02A)	1.00	EA
9.00	NV 00070070241 TUBING, PNEUMATIC	風壓用管	PU Φ8XΦ5(MINDMAN)1.5M	1.00	EA
12.01	NV 00077030233 NIPPLE, STRAIGHT	直接頭	PT1/8XW7/16"-20UNF	1.00	EA
13.02	NV 00077030705 PRESTO ADAPTER, ELBOW	90度彎肘快速接頭	PT1/8XΦ8	1.00	EA
14.00	NV 00070070225 TUBING,PNEUMATIC	風壓用管	PU Φ8XΦ5(MINDMAN)0.55M	1.00	EA
15.00	NV 00077030701 PRESTO ADAPTER, ELBOW	90度彎肘快速接頭	PT3/8XΦ8(JPL-8-03)	1.00	EA
16.00	NV 00077030235 NIPPLE, STRAIGHT	直接頭	PT1/2"XPT3/8"	1.00	EA
17.00	BL 001010904C ELBOW, 90 DEG MALE	90度肘管接頭	PT3/8"(MALE)X9/16"-18UNF(MALE)	1.00	EA

米澤 乃文
 茂興HEPX(H116006)第5次改訂版図紙



第二主軸
SUB-SPINDLE

MODEL: P_150/200/42/51B MSY

PART NAME

PNEUMATIC PARTS (PART PRESENT)

氣壓零組件 (夾料檢出)

PART NUMBER

NLA000280408A

PAGE 1 OF 1

SCALE 1:8

DATE 2016/1/25

REV. B

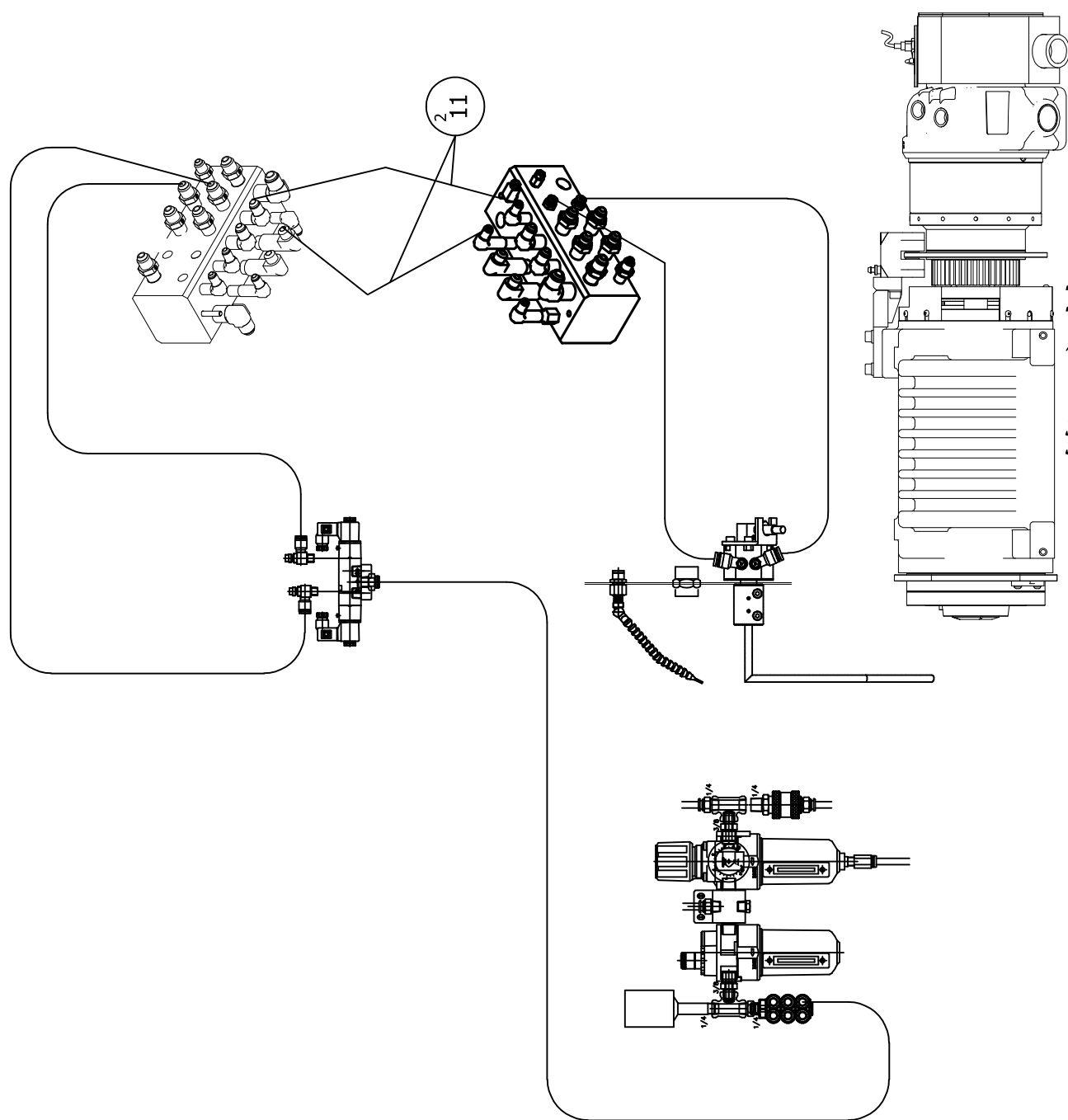
PRODUCT BOM MASTER AND SUB-ITEMS LIST

Master Item Part NO.: NLA000280408A

Description: PNEUMATIC PARTS (PART PRESENT)
氣壓零組件 (第二主軸夾料檢出)

Item	Part NO.	Description	中文名稱	Specification	Qty	Unit
1.01	NV 00077030811	STRAIGHT, PRESTO ADAPTER	直型快速接頭	PT1/4XΦ10(JPC10-02)	1.00	EA
2.00	NV 00113350102	MUFFLER, BREATHER	消音器	PT1/8	2.00	EA
3.00	NV 00030480113	VALVE, PT1/4 3 WAY PNEUMATIC	氣壓電磁閥(五口三位雙線圈中閉型)	PT1/4" DC24V(MVSD-260-4E2C-24)	1.00	EA
4.00	NV 00077031305	PRESTO ADAPTER, ELBOW(ADJUSTAB	90度彎肘快速接頭(附調速)	PT1/4XΦ8(JSC8-02B)	2.00	EA
6.01	NV 00070070229	TUBING, PNEUMATIC	風壓用管	PU Φ10XΦ6.5(MINDMAN)0.25M	1.00	EA
7.00	NV 00070070201	TUBING,PNEUMATIC	風壓用管	PU Φ8XΦ5(MINDMAN)2.5 M	2.00	EA
14.00	NL 00070070202	TUBING, PNEUMATIC	風壓用管	PU Φ6XΦ4(MINDMAN)0.27M	2.00	EA

REV	DESCRIPTION	DATE	EDN.
	夾緊力/夾		
	在圖紙(421500)的修訂#9,10,11,13,15,16,17		



第二主軸
SUB-SPINDLE

MODEL: TALENT 42/51 B	SCALE: 1:8
PART NAME: PNEUMATIC PARTS (PART PRESENT)	REV: B
氣壓零組件(夾料檢出)(論興)	PAGE: 1 OF 1
PART NUMBER: NLA000280412A	DATE: 2016/1/25

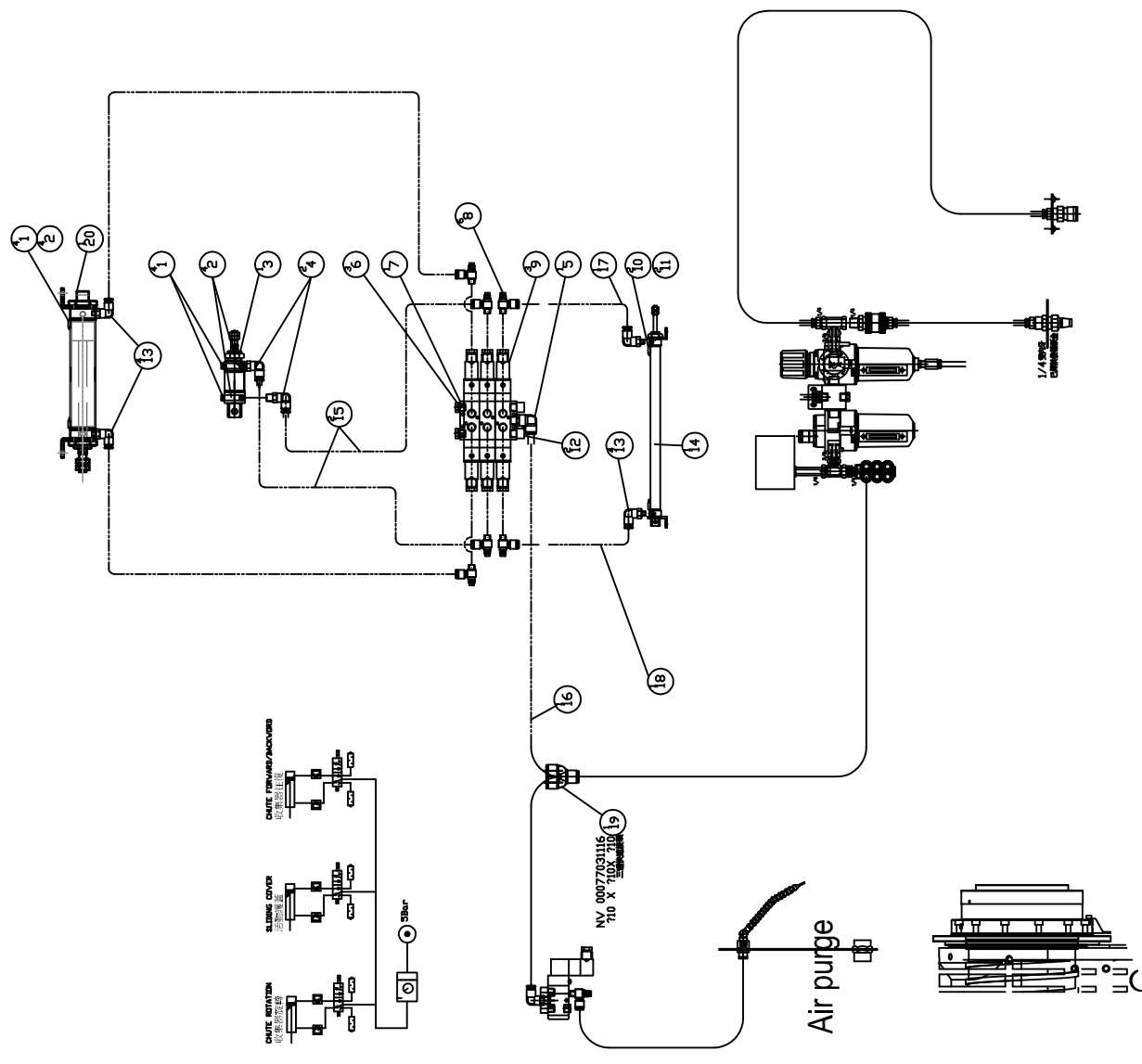
PRODUCT BOM MASTER AND SUB-ITEMS LIST

Master Item Part NO.: NLA000280412A

Description: PNEUMATIC PARTS (PART PRESENT)
氣壓零組件 (第二主軸夾料檢出)(諭興)

Item	Part NO.	Description	中文名稱	Specification	Qty	Unit
11.00	NV 00069650309	HOSE, FLEXIBLE HYDRAULIC	耐油橡膠管(外覆鋼絲)	R1-Φ 1/4"XW7/16"-20UNFX1.6M	2.00	EA

REV.	DESCRIPTION	DATE	ECN.
A	新編	2017/6/5	004375



第一主軸
MAIN-SPINDLE

MODEL: TALENT 42/51
PART NAME PNEUMATIC PARTS(PARTS CATCHER) 氣壓零組件(伸縮式工件收集器-輸送槽式)
PART NUMBER NL 000280417A
PAGE 1 OF 1
DATE 2017/6/5
SCALE 1:7
REV. A

PRODUCT BOM MASTER AND SUB-ITEMS LIST

Master Item Part NO.: NL 000280417A

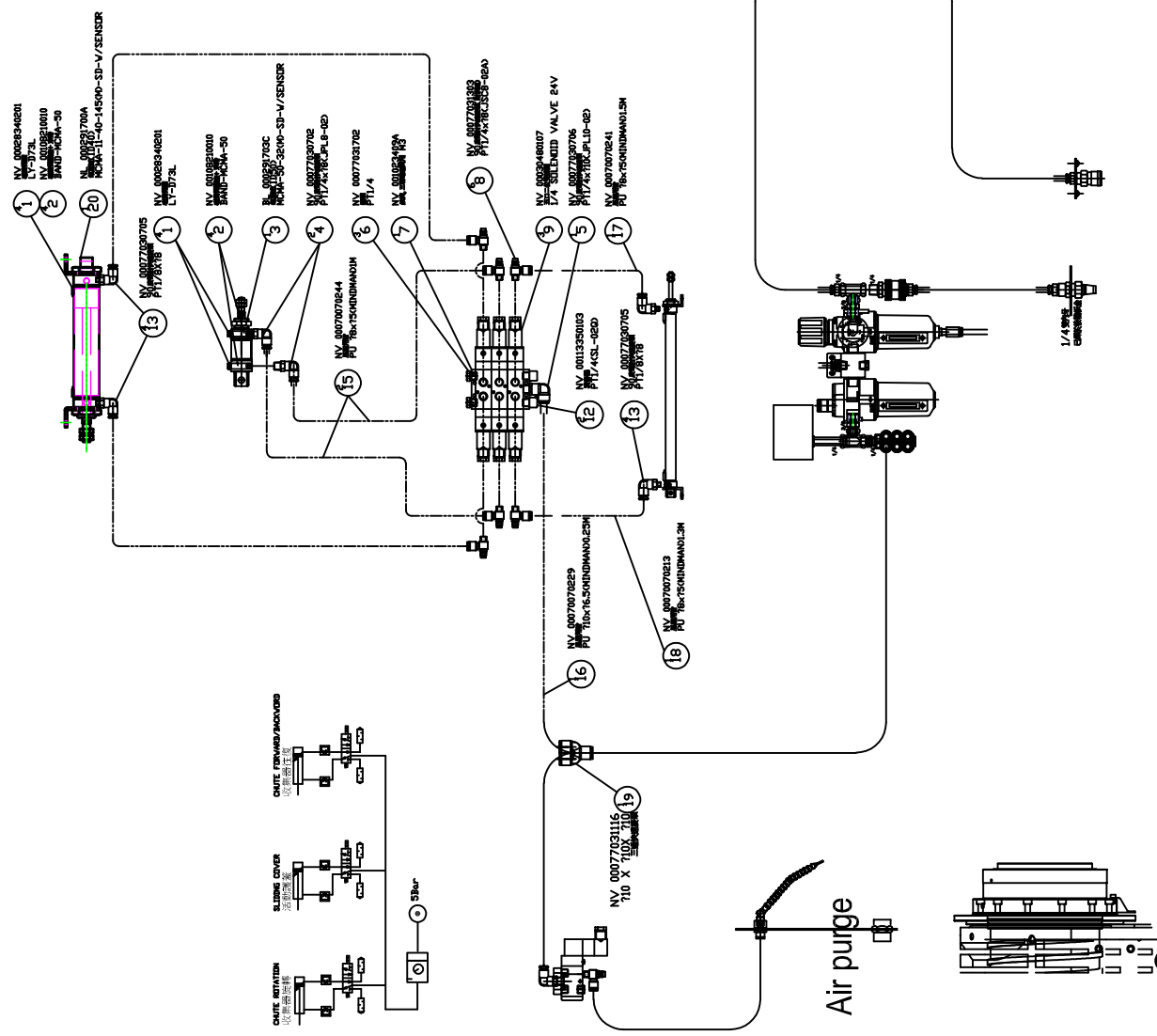
Description: PNEUMATIC PARTS (PART CATCHER)
氣壓零組件 (伸縮式工件收集器-輸送帶式)

Item	Part NO.	Description	中文名稱	Specification	Qty	Unit
1.00	NV 00028340201	REED SWITCH	磁簧開關	LY-D73L(LIANG YI)	4.00	EA
2.00	NV 00108210010	REED RELAY BASE & CLAMP	磁簧開關座+束帶	BAND-MCMA-50	4.00	EA
3.00	BL 000291703C	CYLINDER (ID50)	氣壓缸(ID50)	MCMA-50-32(M)-SD-W/SENSOR	1.00	ST
4.00	NV 00077030702	PRESTO ADAPTER, ELBOW	90度彎肘快速接頭	PT1/4XΦ8(JPL8-02)	2.00	EA
5.00	NV 00077030706	PRESTO ADAPTER, ELBOW	90度彎肘快速接頭	PT1/4XΦ10(JPL10-02)	1.00	EA
6.00	NV 00077031702	PLUG, SOCKET HEX.	塞頭(內六角)	PT1/4(AM030002T)	3.00	EA
7.00	NV 001023409A	MANIFOLD, PNEUMATIC	歧塊,三聯電磁閥用 M3	M3	1.00	EA
8.00	NV 00077031303	PRESTO ADAPTER, ELBOW(AJUSTAB	90度彎肘快速接頭(附調速)	PT1/4XΦ8(JSC8-02A)	6.00	EA
9.00	NV 00030480107	VALVE, PT1/4 2 WAY PNEUMATIC	氣壓電磁閥(五口二位雙線圈)	PT1/4" DC24V(MVSD-260-4E2)	3.00	EA
10.00	NV 00028340202	REED SWITCH	磁簧開關	RCS	2.00	EA
11.00	NV 00108210009	REED RELAY BASE & CLAMP	磁簧開關座+束帶	BAND-MC MJ-16	2.00	EA
12.00	NV 00113350103	MUFFLER, BREATHER	消音器	PT1/4(SL-02Q)	2.00	EA
13.00	NV 00077030705	PRESTO ADAPTER, ELBOW	90度彎肘快速接頭	PT1/8XΦ8	4.00	EA
14.00	BL 000291707A	CYLINDER (ID20)	氣壓缸(ID20)	MCMA-20-180(M)-SD-W/SENSOR	1.00	ST
15.00	NV 00070070244	TUBING, PNEUMATIC	風壓用管	PU Φ8XΦ5(MINDMAN)1.0M	2.00	EA
16.00	NV 00070070229	TUBING, PNEUMATIC	風壓用管	PU Φ10XΦ6.5(MINDMAN)0.25M	1.00	EA
17.00	NV 00070070241	TUBING, PNEUMATIC	風壓用管	PU Φ8XΦ5(MINDMAN)1.5M	2.00	EA
18.00	NV 00070070213	TUBING, PNEUMATIC	風壓用管	PU Φ8XΦ5(MINDMAN)1.3M	2.00	EA
19.00	NV 00077031116	PRESTO ADAPTER, TEE	三通快速接頭	Φ10 X Φ10X Φ10	1.00	EA

PRODUCT BOM MASTER AND SUB-ITEMS LIST

Item	Part NO.	Description	中文名稱	Specification	Qty	Unit
20.00	NL 000291700A	CYLINDER (ID40)	氣壓缸(ID40)	MCMA-11-40-145(M)-SD-W/SENSOR	1.00	ST

REV	DESCRIPTION	DATE	ECN
A	新機	2018/11/13	1004624



第一主軸
MAIN-SPINDLE

MODEL: TALENT 42/51	PART NUMBER	REV. A
PART NAME	NL 000280420A	
氣壓零件(伸縮式工件收集器-輸送帶式)	PAGE 1 OF 1	
DATE 2018/11/13	SCALE 1:1	

PRODUCT BOM MASTER AND SUB-ITEMS LIST

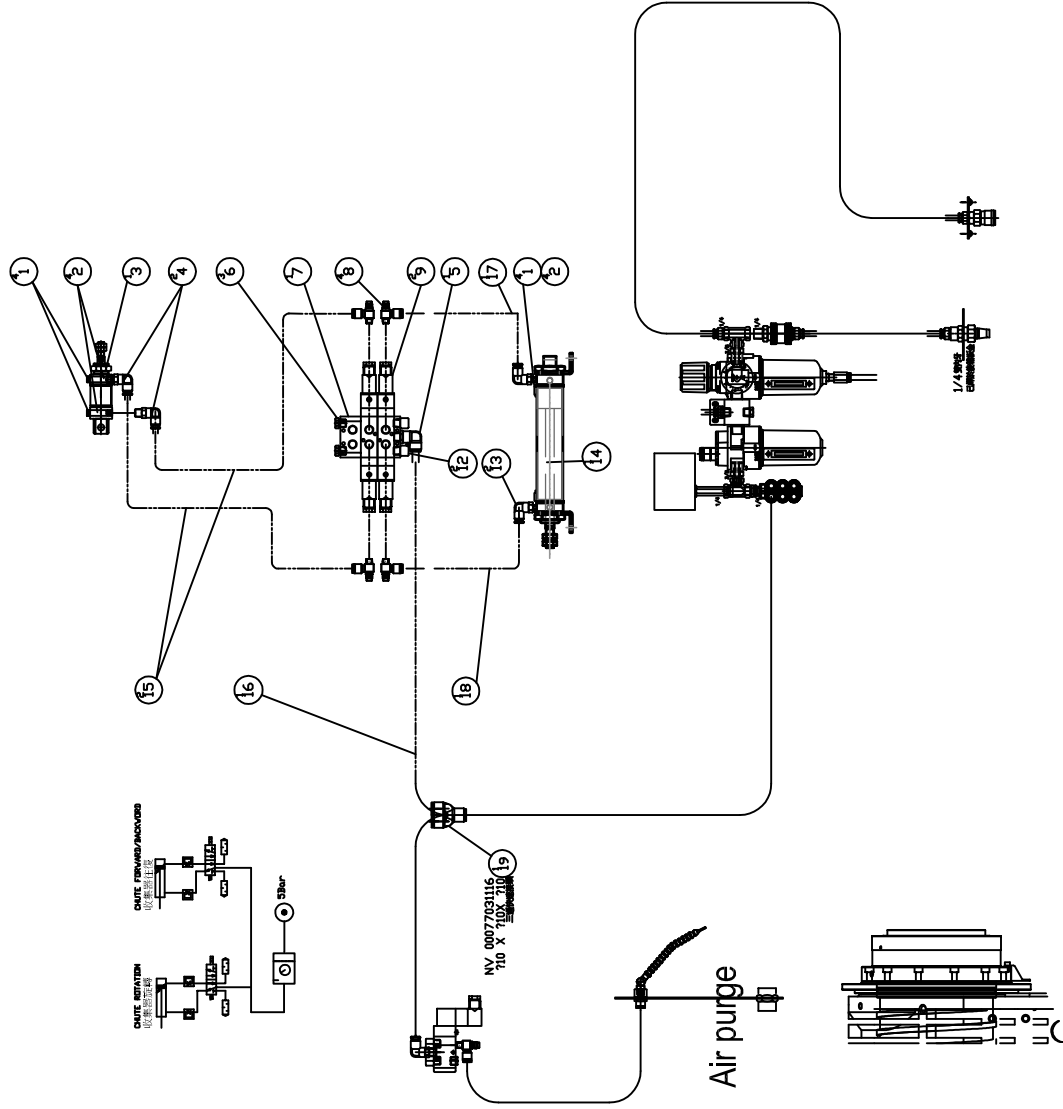
Master Item Part NO.: NL 000280420A

Description: PNEUMATIC PARTS (PART CATCHER)

氣壓零組件 (伸縮式工件收集器-輸送帶式)-歐美用

Item Part NO.	Description	中文名稱	Specification	Qty	Unit
1.00 NV 00028340201	REED SWITCH	磁簧開關	LY-D73L(LIANG YI)	4.00	EA
2.00 NV 00108210010	REED RELAY BASE & CLAMP	磁簧開關座+束帶	BAND-MCMA-50	4.00	EA
3.00 BL 000291703C	CYLINDER (ID50)	氣壓缸(ID50)	MCMA-50-32(M)-SD-W/SENSOR	1.00	ST
4.00 NV 00077030702	PRESTO ADAPTER, ELBOW	90度彎肘快速接頭	PT1/4XΦ8(JPL8-02)	2.00	EA
5.00 NV 00077030706	PRESTO ADAPTER, ELBOW	90度彎肘快速接頭	PT1/4XΦ10(JPL10-02)	1.00	EA
6.00 NV 00077031702	PLUG, SOCKET HEX.	塞頭(內六角)	PT1/4(AM030002T)	3.00	EA
7.00 NV 001023409A	MANIFOLD, PNEUMATIC	歧塊,三聯電磁閥用 M3	M3	1.00	EA
8.00 NV 00077031303	PRESTO ADAPTER, ELBOW(AJUSTAB	90度彎肘快速接頭(附調速)	PT1/4XΦ8(JSC8-02A)	6.00	EA
9.00 NV 00030480107	VALVE, PT1/4 2 WAY PNEUMATIC	氣壓電磁閥(五口二位雙線圈)	PT1/4" DC24V(MVSD-260-4E2)	3.00	EA
12.00 NV 00113350103	MUFFLER, BREATHER	消音器	PT1/4(SL-02Q)	2.00	EA
13.00 NV 00077030705	PRESTO ADAPTER, ELBOW	90度彎肘快速接頭	PT1/8XΦ8	4.00	EA
15.00 NV 00070070244	TUBING, PNEUMATIC	風壓用管	PU Φ8XΦ5(MINDMAN)1.0M	2.00	EA
16.00 NV 00070070229	TUBING, PNEUMATIC	風壓用管	PU Φ10XΦ6.5(MINDMAN)0.25M	1.00	EA
17.00 NV 00070070241	TUBING, PNEUMATIC	風壓用管	PU Φ8XΦ5(MINDMAN)1.5M	2.00	EA
18.00 NV 00070070213	TUBING, PNEUMATIC	風壓用管	PU Φ8XΦ5(MINDMAN)1.3M	2.00	EA
19.00 NV 00077031116	PRESTO ADAPTER, TEE	三通快速接頭	Φ10 X Φ10X Φ10	1.00	EA
20.00 NL 000291700A	CYLINDER (ID40)	氣壓缸(ID40)	MCMA-11-40-145(M)-SD-W/SENSOR	1.00	ST

REV	DESCRIPTION	DATE	ECN
A	修改	2016/5/7	162-15-12



第一主軸
MAIN-SPINDLE

MODEL: TALENT 42/51	PART NUMBER	NL 000280418A
PART NAME	PNEUMATIC PARTS(PARTS CATCHER)	
氣壓零組件(伸縮式工件收集器-盒式)	PAGE	1 OF 1
DATE 2016/5/7	SCALE	1:1
REV.	0	

PRODUCT BOM MASTER AND SUB-ITEMS LIST

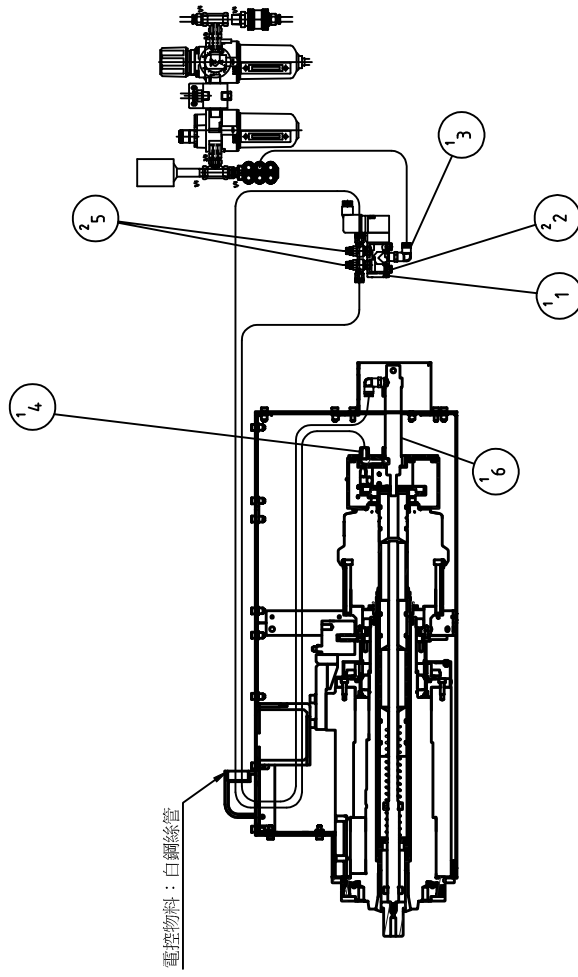
Master Item Part NO.: NL 000280418A

Description: PNEUMATIC PARTS (PART CATCHER)

氣壓零組件 (伸縮式工件收集器-盒式)

Item Part NO.	Description	中文名稱	Specification	Qty	Unit
1.00 NV 00028340201	REED SWITCH	磁簧開關	LY-D73L(LIANG YI)	4.00	EA
2.00 NV 00108210010	REED RELAY BASE & CLAMP	磁簧開關座+束帶	BAND-MCMA-50	4.00	EA
3.00 BL 000291703C	CYLINDER (ID50)	氣壓缸(ID50)	MCMA-50-32(M)-SD-W/SENSOR	1.00	ST
4.00 NV 00077030702	PRESTO ADAPTER, ELBOW	90度彎肘快速接頭	PT1/4XΦ8(JPL8-02)	2.00	EA
5.00 NV 00077030706	PRESTO ADAPTER, ELBOW	90度彎肘快速接頭	PT1/4XΦ10(JPL10-02)	1.00	EA
6.00 NV 00077031702	PLUG, SOCKET HEX.	塞頭(內六角)	PT1/4(AM030002T)	3.00	EA
7.00 NV 001023409A	MANIFOLD, PNEUMATIC	歧塊,三聯電磁閥用 M3	M3	1.00	EA
8.00 NV 00077031303	PRESTO ADAPTER, ELBOW(AJUSTAB	90度彎肘快速接頭(附調速)	PT1/4XΦ8(JSC8-02A)	4.00	EA
9.00 NV 00030480107	VALVE, PT1/4 2 WAY PNEUMATIC	氣壓電磁閥(五口二位雙線圈)	PT1/4" DC24V(MVSD-260-4E2)	2.00	EA
12.00 NV 00113350103	MUFFLER, BREATHER	消音器	PT1/4(SL-02Q)	2.00	EA
13.00 NV 00077030705	PRESTO ADAPTER, ELBOW	90度彎肘快速接頭	PT1/8XΦ8	2.00	EA
14.01 NL 000291700A	CYLINDER (ID40)	氣壓缸(ID40)	MCMA-11-40-145(M)-SD-W/SENSOR	1.00	ST
15.00 NV 00070070244	TUBING, PNEUMATIC	風壓用管	PU Φ8XΦ5(MINDMAN)1.0M	2.00	EA
16.00 NV 00070070229	TUBING, PNEUMATIC	風壓用管	PU Φ10XΦ6.5(MINDMAN)0.25M	1.00	EA
17.00 NV 00070070241	TUBING, PNEUMATIC	風壓用管	PU Φ8XΦ5(MINDMAN)1.5M	2.00	EA
18.00 NV 00070070213	TUBING, PNEUMATIC	風壓用管	PU Φ8XΦ5(MINDMAN)1.3M	2.00	EA
19.00 NV 00077031116	PRESTO ADAPTER, TEE	三通快速接頭	Φ10 X Φ10X Φ10	1.00	EA

REV	DESCRIPTION	DATE	ECN
A	零件規格	2017/04/24	0001352



MODEL	TALENT 42/51 B MSY, MS, S		
PART NAME	PNEUMATIC PARTS (PART EJECTOR)		
PART NUMBER	NL 000280416A		
DATE	2017/04/24	SCALE	1:13
REV.	A	PAGE	1 OF 1

PRODUCT BOM MASTER AND SUB-ITEMS LIST

Master Item Part NO.: NL 000280416A

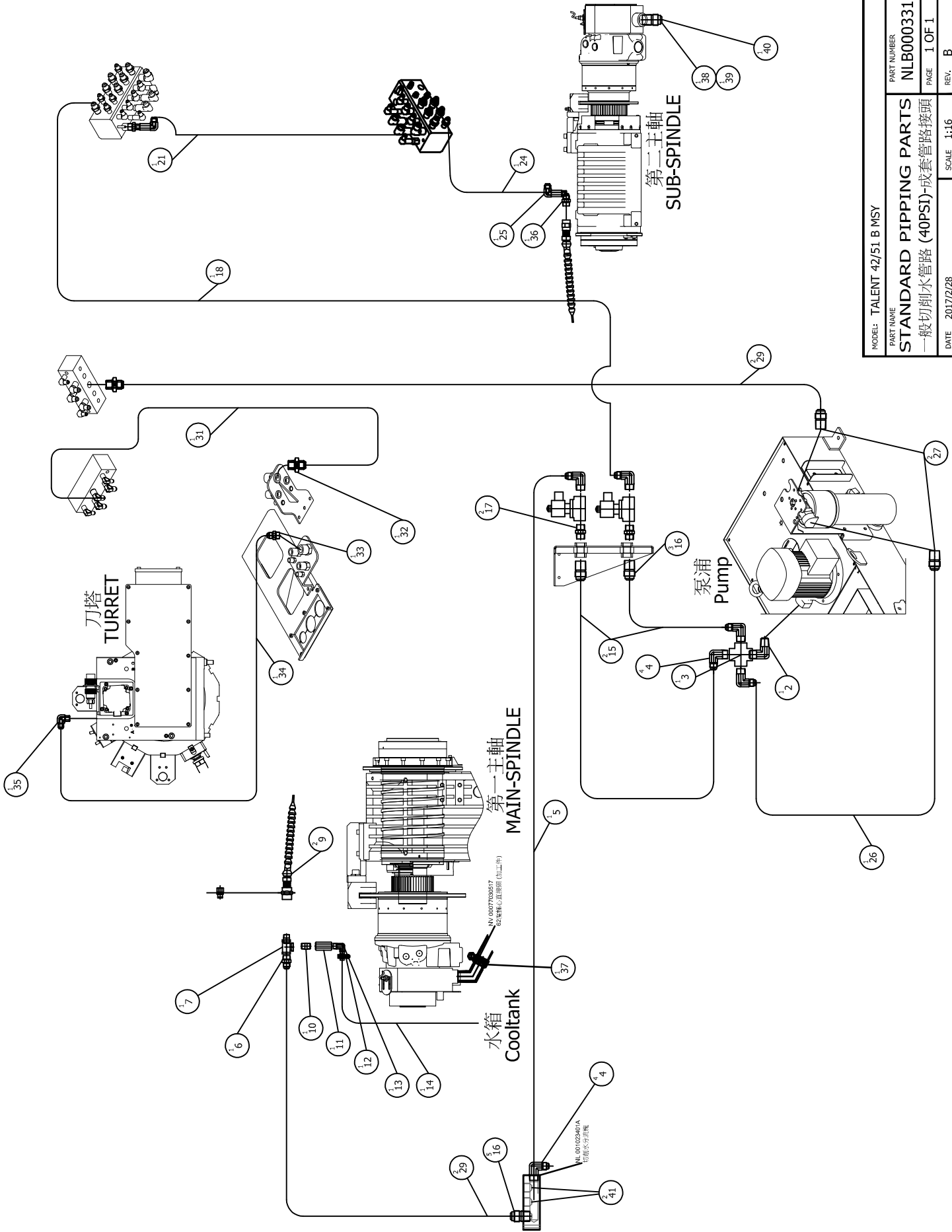
Description: PNEUMATIC PARTS (PART EJECTOR)
氣壓零組件(第二主軸工件頂出)

Item	Part NO.	Description	中文名稱	Specification	Qty	Unit
1.00	NV 00030480101	VALVE, PT1/4 2 WAY PNEUMATIC	氣壓電磁閥(五口二位單線圈)	PT1/4" DC24V(MVSD-260-4E1)	1.00	EA
2.00	NV 00113350102	MUFFLER, BREATHER	消音器	PT1/8	2.00	EA
3.00	NV 00077030706	PRESTO ADAPTER, ELBOW	90度彎肘快速接頭	PT1/4XΦ10(JPL10-02)	1.00	EA
4.00	NV 00077030273	PISCO CONNECTER	PISCO 省力接頭	PLJ8	1.00	EA
5.00	NV 00077031303	PRESTO ADAPTER, ELBOW(ADJUSTAB	90度彎肘快速接頭(附調速)	PT1/4XΦ8(JSC8-02A)	2.00	EA
6.00	BL 000291711A	CYLINDER (ID25)	氣壓缸(氣動式頂料器)	MCMA-25-74(M)-SD-W/SENSOR	1.00	ST

Chapter 8

切削水系統

Coolant Unit



MODEL: TALENT 42/51 B MSY

PART NAME: STANDARD PIPING PARTS

PART NUMBER: NLB000331001A

PAGE: 1 OF 1

DATE: 2017/2/28

SCALE: 1:16

REV. B

PRODUCT BOM MASTER AND SUB-ITEMS LIST

Master Item Part NO.: NLB000331001A

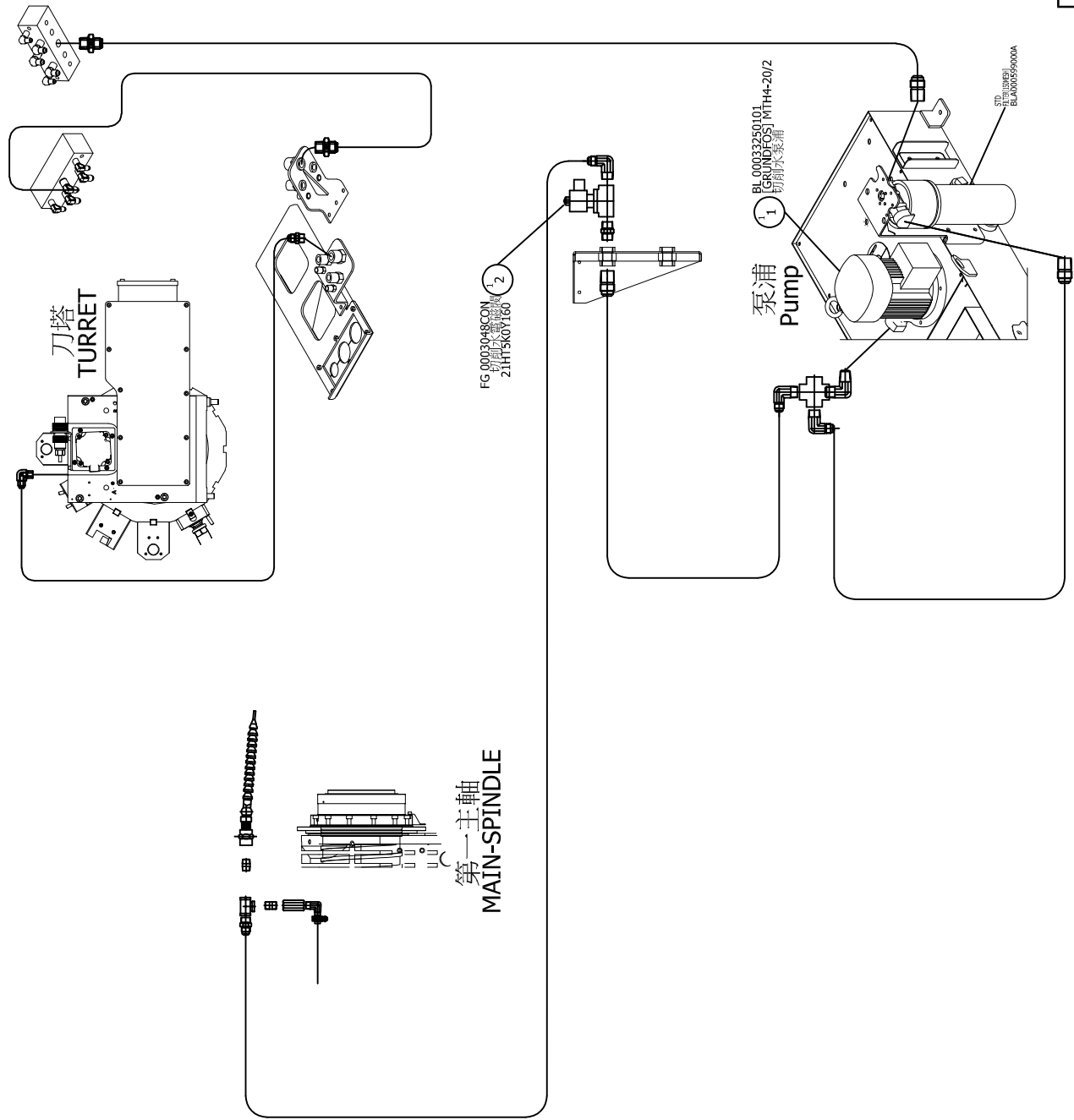
Description: STANDARD PIPING PARTS
一般切削水管路 (40PSI)-成套管路接頭

Item	Part NO.	Description	中文名稱	Specification	Qty	Unit
2.00	NV 00077031502	ELBOW, 90 DEG MALE	90度外雙螺紋肘管	PT3/4"XPT3/4"	1.00	EA
3.00	NV 00077031901	CROSS UNION	內螺紋十字通(四通)	PT3/4"	1.00	EA
4.00	NV 00077031524	ELBOW, 90 DEG MALE	90度肘管接頭	PT3/4"(MALE)X3/4"-16UNF (MALE)	4.00	EA
5.01	NL 00069650124	HOSE, FLEXIBLE HYDRAULIC	耐油橡膠管(一直一90度)	R1-Φ1/2"XW3/4"-16UNFX3.5M	1.00	EA
6.00	NV 00077030256	NIPPLE, STRAIGHT	直接頭	PT3/8"(M)X9/16-18UNF (M)	1.00	EA
7.01	NL 00077031601	TEE ADAPTER, FEMALE&MALE	銅內外牙三通	3/8"X3/8"PT(CF03T03T03T)	1.00	EA
9.00	NV 00070110103	NOZZLE, COOLANT	冷卻水噴嘴(扁嘴)	PT3/8"X13P(LAMELLIROSTRAL)	2.00	ST
10.00	NV 00077030219	NIPPLE, STRAIGHT	直接頭	PT3/8"TXPT3/8"PT(P013)	1.00	EA
11.00	NV 00100590112	CHECK VALVE, AIR	風壓逆止閥	PT3/8(CV-03)	1.00	EA
12.00	NV 00069660303	CLAMP, HOSE	不銹鋼管夾	7/8"(12-22MM)	1.00	EA
13.00	NV 00077030521	CONNECTOR, 90 DEGREE	90度插心接頭	PT3/8"XΦ1/2"	1.00	EA
14.00	BL 00069650117	HOSE, FLEXIBLE HYDRAULIC	耐油橡膠管	1/2"-1BX8KG/CM2X1.2M	1.00	EA
15.01	NV 00069650159	HOSE, FLEXIBLE HYDRAULIC	耐油橡膠管	R1-Φ1/2"XW3/4"-16UNFX0.75M	2.00	ST
16.00	NV 00077030237	NIPPLE, STRAIGHT	直接頭	PT3/4X3/4-16UNF	5.00	EA
17.00	NV 00077030207	CONNECTOR, STRAIGHT	直接頭	PT3/4"XPT3/4"	2.00	EA
18.00	BL 00069650228	HOSE, FLEXIBLE HYDRAULIC	耐油橡膠管(一直一90度)	R1-Φ1/2"XW3/4"-16UNFX2.8M	1.00	EA
21.00	BL 00069650162	HOSE, FLEXIBLE HYDRAULIC	耐油橡膠管(外覆鋼絲)	R1-Φ1/2"XW3/4"-16UNFX1.6M	1.00	EA
24.00	NV 00069650159	HOSE, FLEXIBLE HYDRAULIC	耐油橡膠管	R1-Φ1/2"XW3/4"-16UNFX0.75M	1.00	EA
25.01	GH 00077031503	ELBOW, 90 DEG MALE	90度肘管接頭(PT加長)	PT3/8"X3/4"-16UNF	1.00	EA

PRODUCT BOM MASTER AND SUB-ITEMS LIST

Item	Part NO.	Description	中文名稱	Specification	Qty	Unit
26.00	BL 00069650168	HOSE, FLEXIBLE HYDRAULIC	耐油橡膠管	R1-Φ1/2"XW3/4"-16UNFX0.6M	1.00	EA
27.00	NV 00077030242	NIPPLE, STRAIGHT	直接頭	PT1"X3/4"-16UNF(1/2H)	2.00	EA
29.00	NV 00069650194	HOSE, FLEXIBLE HYDRAULIC	耐油橡膠管2.1M	R1-Φ1/2"XW3/4"-16UNFX2.1M	2.00	EA
31.00	BL 00069650223	HOSE, FLEXIBLE HYDRAULIC	耐油橡膠管(外覆鋼絲)	R1-Φ1/2"XW3/4"-16UNFX1.5M	1.00	EA
32.00	NV 00077030232	NIPPLE, STRAIGHT	直接頭	PT1/2X3/4-16UNF	1.00	EA
33.00	NV 00077030225	NIPPLE, STRAIGHT	直接頭	PT1/2"X9/16"-18UNF	1.00	EA
34.02	GH 00069650038	HOSE, FLEXIBLE HYDRAULIC	耐油橡膠管	R1-Φ3/8"XW9/16"-18UNFX1.4M	1.00	EA
35.00	NV 00077031504	ELBOW, 90 DEG MALE	90度肘管接頭	PT3/8"(MALE)X9/16"-18UNF(MALE)	1.00	EA
36.01	NV 00077030267	A	90度銅內外牙	90度PT3/8(M)*PT3/8(F)	1.00	EA
37.00	NV 00069660302	CLAMP, HOSE	不銹鋼管夾	2"(32-50MM)	1.00	EA
38.00	NV 00077030502	CONNECTOR	插心直接頭	PT1"XΦ3/4"	1.00	EA
39.00	NV 000696604	CLAMP	不鏽鋼管夾	3/4"	1.00	EA
40.00	VT 00069650044	HOSE WITH FIBER	明網管	HOSEΦ3/4"X0.4M	1.00	EA
41.01	NV 00077031729	PLUG, SOCKET HEX.	塞頭(內六角)	PT3/4	2.00	EA

REV.	DESCRIPTION	DATE	ENCL.
A	精放	2016/5/31	1004110
B	新刀塔物料号统	2019/4/18	33831



MODEL: TALENT 42/51 MSY	
PART NAME	PART NUMBER
STANDARD PIPING PARTS	NL 000331004A
一般切削水管路 (40PSI)-採購清單	PAGE 1 OF 1
DATE 2016/5/31	SCALE 1:16
REV. B	

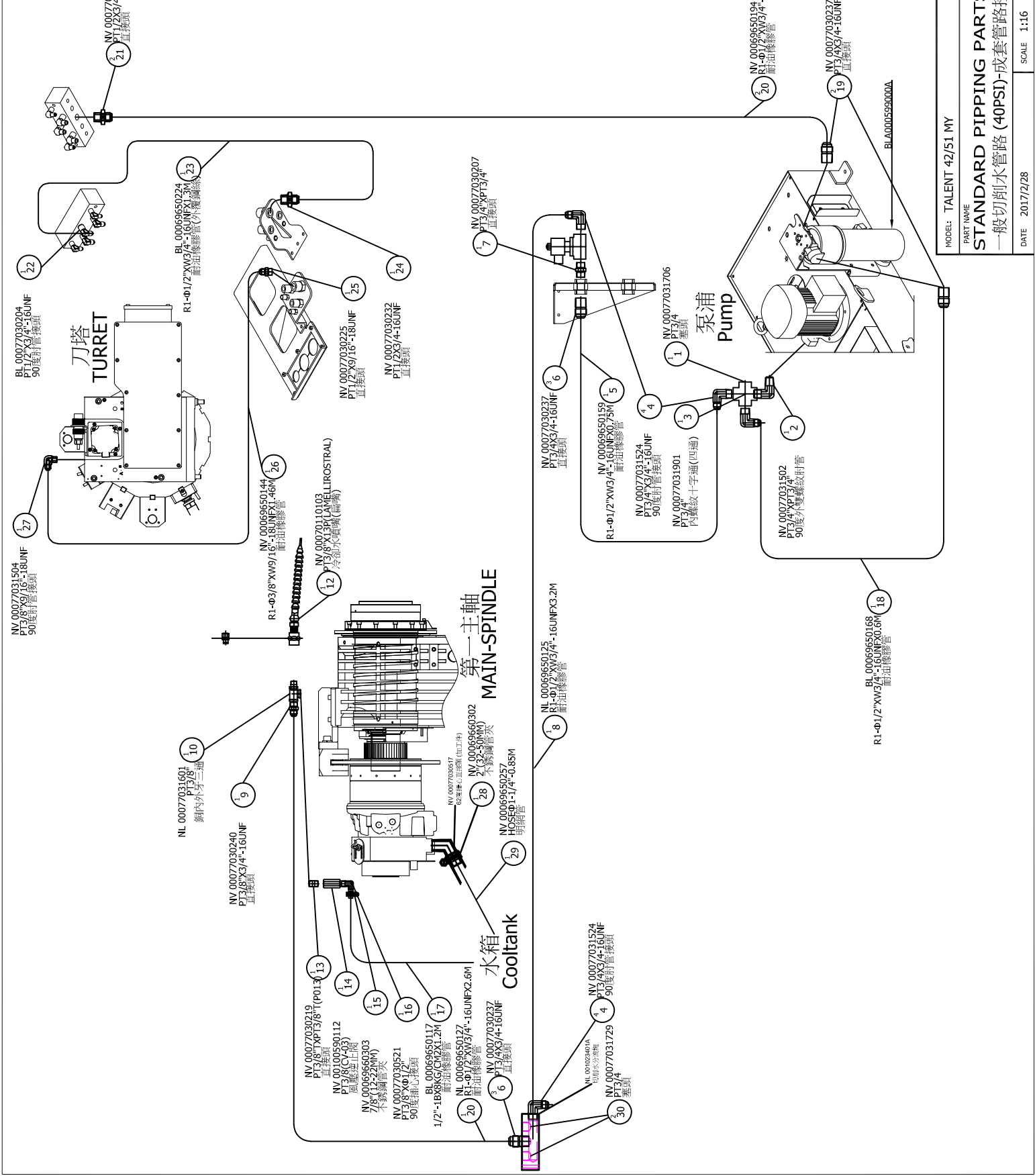
PRODUCT BOM MASTER AND SUB-ITEMS LIST

Master Item Part NO.: NL 000331004A

Description: STANDARD PIPING PARTS
一般切削水管路-採購類

Item Part NO.	Description	中文名稱	Specification	Qty	Unit
1.00 BL 00033250101	PUMP, COOLANT	切削水泵浦	[GRUNDFOS] MTH4-20/2	1.00	ST
2.00 FG 0003048CON	VALVE, COOLANT	切削水電磁閥	DC-24V 21HT5K0Y160	1.00	EA

REV	DESCRIPTION	DATE	ENCL.
A	零件發售	2017/2/28	10043008
B	依據ME 000823進行#20處增加I.P2.2.30	2017/11/07	10044476
C	零件變更#4 零件量3	2017/12/07	10044476
D	依據ME000822進行#20處增加I.P2.2.40	2018/05/14	10045544
	零件量料包換	2019/4/19	334831



MODEL: TALENT 42/51 MY	PART NUMBER	NLA000331003A
PART NAME	STANDARD PIPING PARTS 一般切削水管路(40PSI)-成套管路接頭	
DATE	2017/2/28	PAGE 1 OF 1
SCALE	1:16	REV. D

PRODUCT BOM MASTER AND SUB-ITEMS LIST

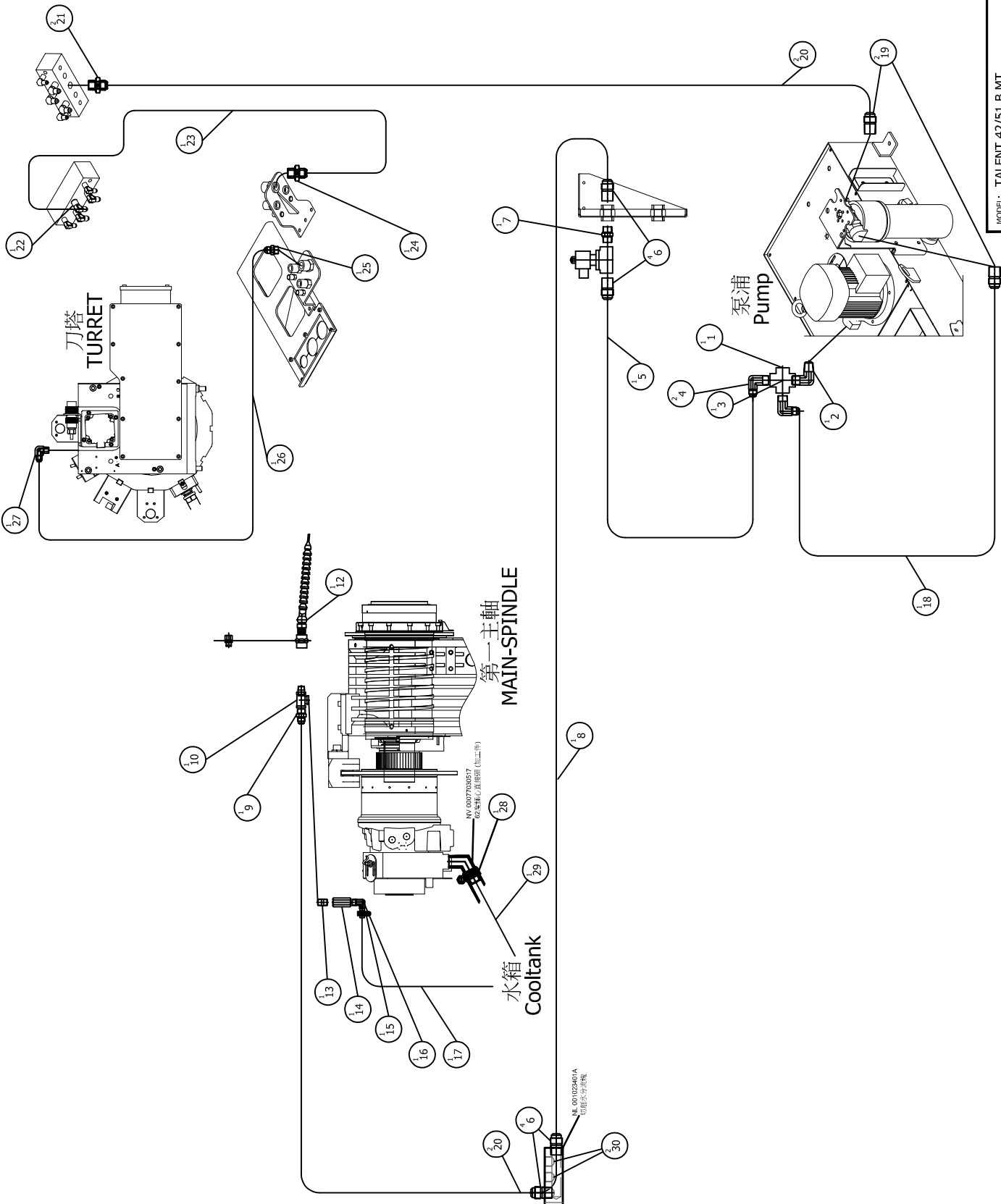
Master Item Part NO.: NLA000331003A

Description: STANDARD PIPING PARTS
一般切削水管路 (40PSI)-成套管路接頭

Item Part NO.	Description	中文名稱	Specification	Qty	Unit
1.00 NV 00077031706	PLUG, SOCKET HEX.	塞頭	PT3/4	1.00	EA
2.00 NV 00077031502	ELBOW, 90 DEG MALE	90度外雙螺紋肘管	PT3/4"XPT3/4"	1.00	EA
3.00 NV 00077031901	CROSS UNION	內螺紋十字通(四通)	PT3/4"	1.00	EA
4.00 NV 00077031524	ELBOW, 90 DEG MALE	90度肘管接頭	PT3/4"(MALE)X3/4"-16UNF(MALE)	4.00	EA
5.01 NV 00069650159	HOSE, FLEXIBLE HYDRAULIC	耐油橡膠管	R1-Φ1/2"XW3/4"-16UNFX0.75M	1.00	EA
6.00 NV 00077030237	NIPPLE, STRAIGHT	直接頭	PT3/4X3/4-16UNF	3.00	EA
7.00 NV 00077030207	CONNECTOR, STRAIGHT	直接頭	PT3/4"XPT3/4"	1.00	EA
8.01 NL 00069650125	HOSE, FLEXIBLE HYDRAULIC	耐油橡膠管(一直一90度)	R1-Φ1/2"XW3/4"-16UNFX3.2M	1.00	EA
9.01 NV 00077030240	NIPPLE, STRAIGHT	直接頭	PT3/8"X3/4"-16UNF	1.00	EA
10.01 NL 00077031601	TEE ADAPTER, FEMALE&MALE	銅內外牙三通	3/8"X3/8"PT(CF03T03T03T)	1.00	EA
12.00 NV 00070110103	NOZZLE, COOLANT	冷卻水噴嘴(扁嘴)	PT3/8"X13P(LAMELLIROSTRAL)	1.00	ST
13.00 NV 00077030219	NIPPLE, STRAIGHT	直接頭	PT3/8"TXPT3/8"T(P013)	1.00	EA
14.00 NV 00100590112	CHECK VALVE, AIR	風壓逆止閥	PT3/8(CV-03)	1.00	EA
15.00 NV 00069660303	CLAMP, HOSE	不銹鋼管夾	7/8"(12-22MM)	1.00	EA
16.00 NV 00077030521	CONNECTOR, 90 DEGREE	90度插心接頭	PT3/8"XΦ1/2"	1.00	EA
17.00 BL 00069650117	HOSE, FLEXIBLE HYDRAULIC	耐油橡膠管	1/2"-1BX8KG/CM2X1.2M	1.00	EA
18.00 BL 00069650168	HOSE, FLEXIBLE HYDRAULIC	耐油橡膠管	R1-Φ1/2"XW3/4"-16UNFX0.6M	1.00	EA
19.00 NV 00077030237	NIPPLE, STRAIGHT	直接頭	PT3/4X3/4-16UNF	2.00	EA
20.02 NL 00069650127	HOSE, FLEXIBLE HYDRAULIC	耐油橡膠管	R1-Φ1/2"XW3/4"-16UNFX2.6M	1.00	EA

PRODUCT BOM MASTER AND SUB-ITEMS LIST

Item	Part NO.	Description	中文名稱	Specification	Qty	Unit
21.00	NV 00077030232	NIPPLE, STRAIGHT	直接頭	PT1/2X3/4-16UNF	1.00	EA
22.00	BL 00077030204	ELBOW, 90 DEG MALE	90度肘管接頭	PT1/2"X3/4" -16UNF	1.00	EA
23.00	NL 00069650105	HOSE, FLEXIBLE HYDRAULIC	耐油橡膠管(外覆鋼絲)	R1-Φ1/2"XW3/4"-16UNFX1.2M	1.00	EA
24.00	NV 00077030232	NIPPLE, STRAIGHT	直接頭	PT1/2X3/4-16UNF	1.00	EA
25.00	NV 00077030225	NIPPLE, STRAIGHT	直接頭	PT1/2"X9/16"-18UNF	1.00	EA
26.01	NV 00069650144	HOSE, FLEXIBLE HYDRAULIC	耐油橡膠管	R1-Φ3/8"XW9/16"-18UNFX1.46M	1.00	EA
27.00	NV 00077031504	ELBOW, 90 DEG MALE	90度肘管接頭	PT3/8"(MALE)X9/16"-18UNF(MALE)	1.00	EA
28.00	NV 00069660302	CLAMP, HOSE	不銹鋼管夾	2"(32-50MM)	1.00	EA
29.00	NV 00069650257	HOSE, ZF GEARBOX	明網管	Φ1 1/4"X0.85M	1.00	EA
30.00	NV 00077031729	PLUG, SOCKET HEX.	塞頭(內六角)	PT3/4	2.00	EA



MODEL: TALENT 42/51 B MT	
PART NUMBER	NLA000331010A
PAGE	1 OF 1
REV.	A
DATE	2017/2/28
SCALE	1:16
PART NAME STANDARD PIPING PARTS 一般切削水管路 (40PSI)-成套管路接頭	

PRODUCT BOM MASTER AND SUB-ITEMS LIST

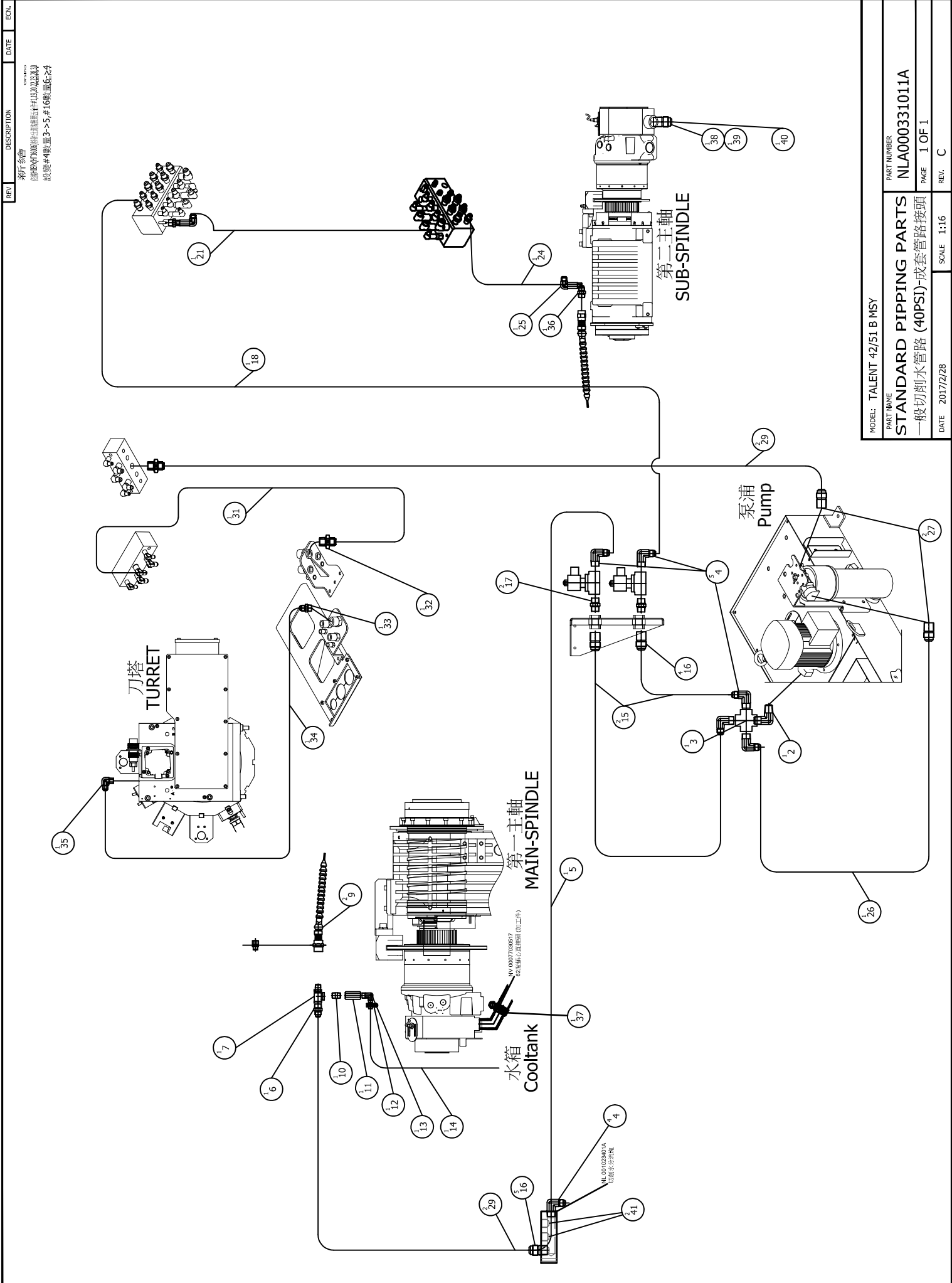
Master Item Part NO.: NLA000331010A

Description: STANDARD PIPING PARTS
一般切削水管路 (40PSI)-成套管路接頭

Item	Part NO.	Description	中文名稱	Specification	Qty	Unit
1.00	NV 00077031706	PLUG, SOCKET HEX.	塞頭	PT3/4	1.00	EA
2.00	NV 00077031502	ELBOW, 90 DEG MALE	90度外雙螺紋肘管	PT3/4"XPT3/4"	1.00	EA
3.00	NV 00077031901	CROSS UNION	內螺紋十字通(四通)	PT3/4"	1.00	EA
4.00	NV 00077031524	ELBOW, 90 DEG MALE	90度肘管接頭	PT3/4"(MALE)X3/4"-16UNF(MALE)	3.00	EA
5.00	NV 00069650401	HOSE, FLEXIBLE HYDRAULIC	耐油橡膠管0.65M	R1-Φ 1/2"XW3/4"-16UNFX0.65M	1.00	EA
6.00	NV 00077030237	NIPPLE, STRAIGHT	直接頭	PT3/4X3/4-16UNF	3.00	EA
7.00	NV 00077030207	CONNECTOR, STRAIGHT	直接頭	PT3/4"XPT3/4"	1.00	EA
8.01	NL 00069650124	HOSE, FLEXIBLE HYDRAULIC	耐油橡膠管(一直一90度)	R1-Φ 1/2"XW3/4"-16UNFX3.5M	1.00	EA
9.00	NV 00077030256	NIPPLE, STRAIGHT	直接頭	PT3/8"(M)X9/16-18UNF(M)	1.00	EA
10.01	NL 00077031601	TEE ADAPTER, FEMALE&MALE	銅內外牙三通	3/8"X3/8"PT(CF03T03T03T)	1.00	EA
12.00	NV 00070110103	NOZZLE, COOLANT	冷卻水噴嘴(扁嘴)	PT3/8"X13P(LAMELLIROSTRAL)	1.00	ST
13.00	NV 00077030219	NIPPLE, STRAIGHT	直接頭	PT3/8"TXPT3/8"PT(P013)	1.00	EA
14.00	NV 00100590112	CHECK VALVE, AIR	風壓逆止閥	PT3/8(CV-03)	1.00	EA
15.00	NV 00069660303	CLAMP, HOSE	不銹鋼管夾	7/8"(12-22MM)	1.00	EA
16.00	NV 00077030521	CONNECTOR, 90 DEGREE	90度插心接頭	PT3/8"XΦ 1/2"	1.00	EA
17.00	BL 00069650117	HOSE, FLEXIBLE HYDRAULIC	耐油橡膠管	1/2"-1BX8KG/CM2X1.2M	1.00	EA
18.00	BL 00069650168	HOSE, FLEXIBLE HYDRAULIC	耐油橡膠管	R1-Φ 1/2"XW3/4"-16UNFX0.6M	1.00	EA
19.00	NV 00077030237	NIPPLE, STRAIGHT	直接頭	PT3/4X3/4-16UNF	2.00	EA
20.00	NV 00069650194	HOSE, FLEXIBLE HYDRAULIC	耐油橡膠管2.1M	R1-Φ 1/2"XW3/4"-16UNFX2.1M	2.00	EA

PRODUCT BOM MASTER AND SUB-ITEMS LIST

Item	Part NO.	Description	中文名稱	Specification	Qty	Unit
21.00	NV 00077030232	NIPPLE, STRAIGHT	直接頭	PT1/2X3/4-16UNF	1.00	EA
22.00	BL 00077030204	ELBOW, 90 DEG MALE	90度肘管接頭	PT1/2"X3/4"-16UNF	1.00	EA
23.00	BL 00069650223	HOSE, FLEXIBLE HYDRAULIC	耐油橡膠管(外覆鋼絲)	R1-Φ 1/2"XW3/4"-16UNFX1.5M	1.00	EA
24.00	NV 00077030232	NIPPLE, STRAIGHT	直接頭	PT1/2X3/4-16UNF	1.00	EA
25.00	NV 00077030225	NIPPLE, STRAIGHT	直接頭	PT1/2"X9/16"-18UNF	1.00	EA
26.01	NV 00069650144	HOSE, FLEXIBLE HYDRAULIC	耐油橡膠管	R1-Φ 3/8"XW9/16"-18UNFX1.46M	1.00	EA
27.00	NV 00077031504	ELBOW, 90 DEG MALE	90度肘管接頭	PT3/8"(MALE)X9/16"-18UNF(MALE)	1.00	EA
28.00	NV 00069660302	CLAMP, HOSE	不銹鋼管夾	2"(32-50MM)	1.00	EA
29.00	NV 00069650257	HOSE, ZF GEARBOX	明網管	Φ 1 1/4"X0.85M	1.00	MT
30.01	NV 00077031729	PLUG, SOCKET HEX.	塞頭(內六角)	PT3/4	2.00	EA



REV.	DESCRIPTION	DATE	EDN.
01	初片會 備用增加副機件機組零件及改裝 設置#4數量3->5,#16數量6->4		

MODEL: TALENT 42/51 B MSY	SCALE: 1:16
PART NAME: STANDARD PIPING PARTS	REV: C
PART NUMBER: NLA000331011A	PAGE: 1 OF 1
DATE: 2017/2/28	

PRODUCT BOM MASTER AND SUB-ITEMS LIST

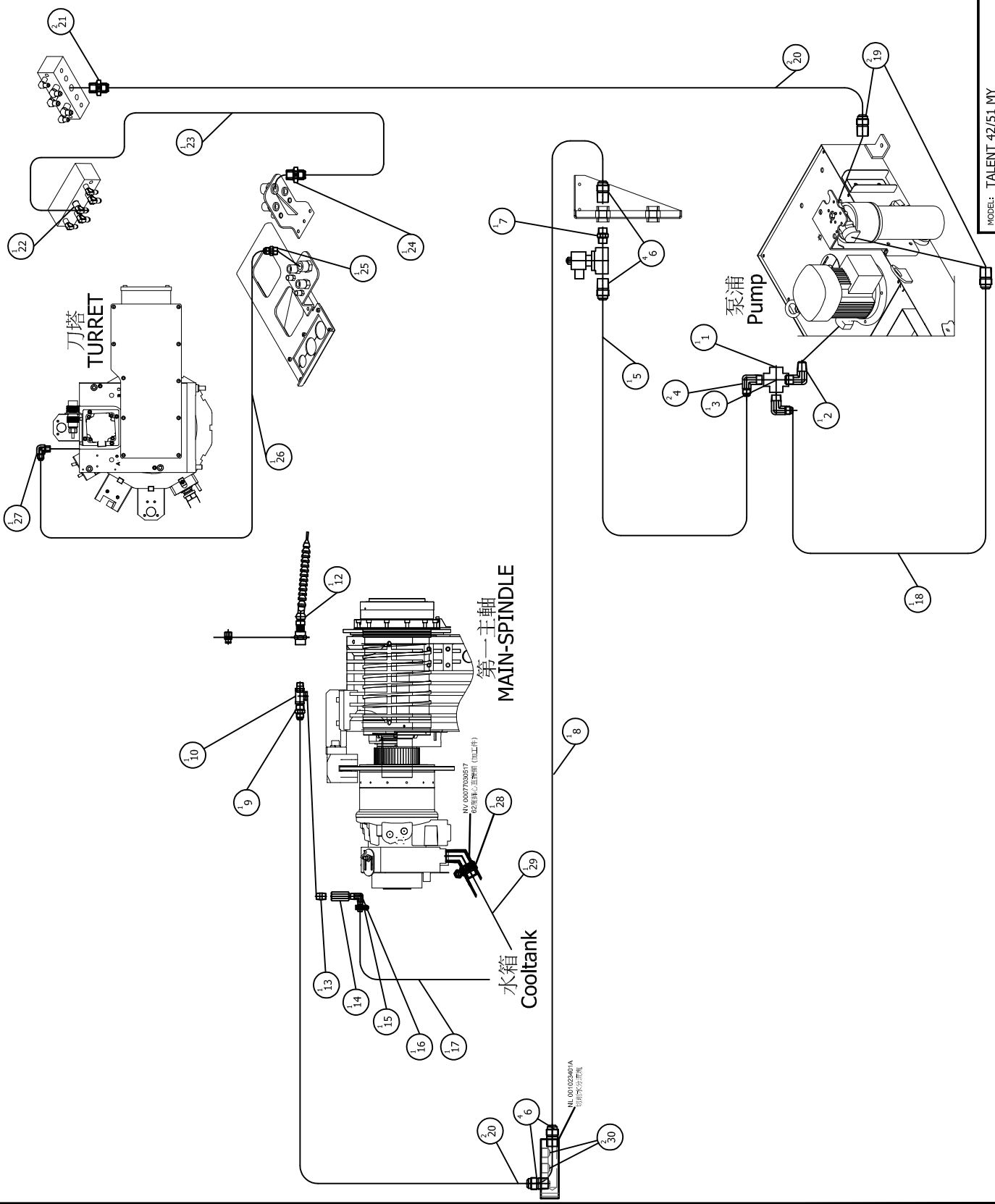
Master Item Part NO.: NLA000331011A

Description: STANDARD PIPING PARTS
一般切削水管路 (40PSI)-成套管路接頭

Item	Part NO.	Description	中文名稱	Specification	Qty	Unit
2.00	NV 00077031502	ELBOW, 90 DEG MALE	90度外雙螺紋肘管	PT3/4"XPT3/4"	1.00	EA
3.00	NV 00077031901	CROSS UNION	內螺紋十字通(四通)	PT3/4"	1.00	EA
4.00	NV 00077031524	ELBOW, 90 DEG MALE	90度肘管接頭	PT3/4"(MALE)X3/4"-16UNF (MALE)	5.00	EA
5.01	NL 00069650124	HOSE, FLEXIBLE HYDRAULIC	耐油橡膠管(一直一90度)	R1-Φ 1/2"XW3/4"-16UNFX3.5M	1.00	EA
6.00	NV 00077030256	NIPPLE, STRAIGHT	直接頭	PT3/8"(M)X9/16-18UNF (M)	1.00	EA
7.01	NL 00077031601	TEE ADAPTER, FEMALE&MALE	銅內外牙三通	3/8"X3/8"PT(CF03T03T03T)	1.00	EA
9.00	NV 00070110103	NOZZLE, COOLANT	冷卻水噴嘴(扁嘴)	PT3/8"X13P(LAMELLIROSTRAL)	2.00	ST
10.00	NV 00077030219	NIPPLE, STRAIGHT	直接頭	PT3/8"TXPT3/8"T(P013)	1.00	EA
11.00	NV 00100590112	CHECK VALVE, AIR	風壓逆止閥	PT3/8(CV-03)	1.00	EA
12.00	NV 00069660303	CLAMP, HOSE	不銹鋼管夾	7/8"(12-22MM)	1.00	EA
13.00	NV 00077030521	CONNECTOR, 90 DEGREE	90度插心接頭	PT3/8"XΦ 1/2"	1.00	EA
14.00	BL 00069650117	HOSE, FLEXIBLE HYDRAULIC	耐油橡膠管	1/2"-1BX8KG/CM2X1.2M	1.00	EA
15.01	NV 00069650159	HOSE, FLEXIBLE HYDRAULIC	耐油橡膠管	R1-Φ 1/2"XW3/4"-16UNFX0.75M	1.00	ST
16.00	NV 00077030237	NIPPLE, STRAIGHT	直接頭	PT3/4X3/4-16UNF	4.00	EA
17.00	NV 00077030207	CONNECTOR, STRAIGHT	直接頭	PT3/4"XPT3/4"	2.00	EA
18.00	BL 00069650228	HOSE, FLEXIBLE HYDRAULIC	耐油橡膠管(一直一90度)	R1-Φ 1/2"XW3/4"-16UNFX2.8M	1.00	EA
21.00	BL 00069650162	HOSE, FLEXIBLE HYDRAULIC	耐油橡膠管(外覆鋼絲)	R1-Φ 1/2"XW3/4"-16UNFX1.6M	1.00	EA
24.00	NV 00069650159	HOSE, FLEXIBLE HYDRAULIC	耐油橡膠管	R1-Φ 1/2"XW3/4"-16UNFX0.75M	1.00	EA
25.01	GH 00077031503	ELBOW, 90 DEG MALE	90度肘管接頭(PT加長)	PT3/8"X3/4"-16UNF	1.00	EA

PRODUCT BOM MASTER AND SUB-ITEMS LIST

Item	Part NO.	Description	中文名稱	Specification	Qty	Unit
26.00	BL 00069650168	HOSE, FLEXIBLE HYDRAULIC	耐油橡膠管	R1-Φ1/2"XW3/4"-16UNFX0.6M	1.00	EA
27.00	NV 00077030242	NIPPLE, STRAIGHT	直接頭	PT1"X3/4"-16UNF(1/2H)	2.00	EA
29.00	NV 00069650194	HOSE, FLEXIBLE HYDRAULIC	耐油橡膠管2.1M	R1-Φ1/2"XW3/4"-16UNFX2.1M	2.00	EA
31.00	BL 00069650223	HOSE, FLEXIBLE HYDRAULIC	耐油橡膠管(外覆鋼絲)	R1-Φ1/2"XW3/4"-16UNFX1.5M	1.00	EA
32.00	NV 00077030232	NIPPLE, STRAIGHT	直接頭	PT1/2X3/4-16UNF	1.00	EA
33.00	NV 00077030225	NIPPLE, STRAIGHT	直接頭	PT1/2"X9/16"-18UNF	1.00	EA
34.01	GH 00069650008	HOSE, FLEXIBLE HYDRAULIC	耐油橡膠管	R1-Φ3/8"XW9/16"-18UNFX1.25M	1.00	EA
35.00	NV 00077031504	ELBOW, 90 DEG MALE	90度肘管接頭	PT3/8"(MALE)X9/16"-18UNF(MALE)	1.00	EA
36.01	NV 00077030267	A	90度銅內外牙	90度PT3/8(M)*PT3/8(F)	1.00	EA
37.00	NV 00069660302	CLAMP, HOSE	不銹鋼管夾	2"(32-50MM)	1.00	EA
38.00	NV 00077030502	CONNECTOR	插心直接頭	PT1"XΦ3/4"	1.00	EA
39.00	NV 000696604	CLAMP	不鏽鋼管夾	3/4"	1.00	EA
40.00	VT 00069650044	HOSE WITH FIBER	明網管	HOSE Φ3/4"X0.4M	1.00	EA
41.00	NV 00077031729	PLUG, SOCKET HEX.	塞頭(內六角)	PT3/4	2.00	EA



MODEL: TALENT 42/51 MY	PART NUMBER	SCALE	REV.
PART NAME	NLA000331012A	1:16	A
STANDARD PIPING PARTS	PAGE		
一般切削水管路 (40PSI)-成套餐路接頭	1 OF 1		
DATE	2017/2/28		

PRODUCT BOM MASTER AND SUB-ITEMS LIST

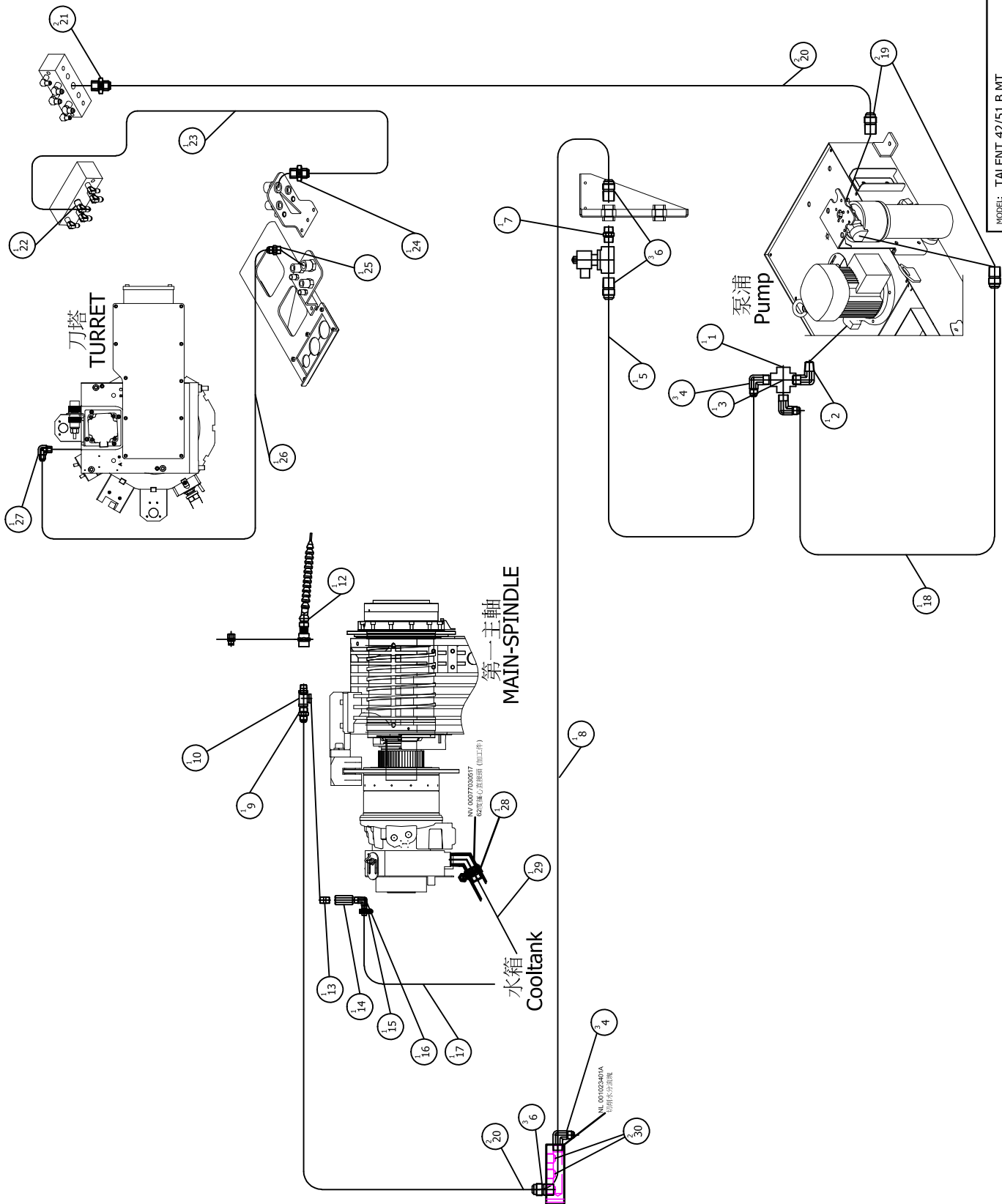
Master Item Part NO.: NLA000331012A

Description: STANDARD PIPING PARTS
一般切削水管路 (40PSI)-成套管路接頭

Item	Part NO.	Description	中文名稱	Specification	Qty	Unit
1.00	NV 00077031706	PLUG, SOCKET HEX.	塞頭	PT3/4	1.00	EA
2.00	NV 00077031502	ELBOW, 90 DEG MALE	90度外雙螺紋肘管	PT3/4"XPT3/4"	1.00	EA
3.00	NV 00077031901	CROSS UNION	內螺紋十字通(四通)	PT3/4"	1.00	EA
4.00	NV 00077031524	ELBOW, 90 DEG MALE	90度肘管接頭	PT3/4"(MALE)X3/4"-16UNF(MALE)	3.00	EA
5.01	NV 00069650159	HOSE, FLEXIBLE HYDRAULIC	耐油橡膠管	R1-Φ1/2"XW3/4"-16UNFX0.75M	1.00	EA
6.00	NV 00077030237	NIPPLE, STRAIGHT	直接頭	PT3/4X3/4-16UNF	3.00	EA
7.00	NV 00077030207	CONNECTOR, STRAIGHT	直接頭	PT3/4"XPT3/4"	1.00	EA
8.01	NL 00069650125	HOSE, FLEXIBLE HYDRAULIC	耐油橡膠管(一直一90度)	R1-Φ1/2"XW3/4"-16UNFX3.2M	1.00	EA
9.00	NV 00077030256	NIPPLE, STRAIGHT	直接頭	PT3/8"(M)X9/16-18UNF(M)	1.00	EA
10.01	NL 00077031601	TEE ADAPTER, FEMALE&MALE	銅內外牙三通	3/8"X3/8"PT(CF03T03T03T)	1.00	EA
12.00	NV 00070110103	NOZZLE, COOLANT	冷卻水噴嘴(扁嘴)	PT3/8"X13P(LAMELLIROSTRAL)	1.00	ST
13.00	NV 00077030219	NIPPLE, STRAIGHT	直接頭	PT3/8"TXPT3/8"PT(P013)	1.00	EA
14.00	NV 00100590112	CHECK VALVE, AIR	風壓逆止閥	PT3/8(CV-03)	1.00	EA
15.00	NV 00069660303	CLAMP, HOSE	不銹鋼管夾	7/8"(12-22MM)	1.00	EA
16.00	NV 00077030521	CONNECTOR, 90 DEGREE	90度插心接頭	PT3/8"XΦ1/2"	1.00	EA
17.00	BL 00069650117	HOSE, FLEXIBLE HYDRAULIC	耐油橡膠管	1/2"-1BX8KG/CM2X1.2M	1.00	EA
18.00	BL 00069650168	HOSE, FLEXIBLE HYDRAULIC	耐油橡膠管	R1-Φ1/2"XW3/4"-16UNFX0.6M	1.00	EA
19.00	NV 00077030237	NIPPLE, STRAIGHT	直接頭	PT3/4X3/4-16UNF	2.00	EA
20.00	NV 00069650194	HOSE, FLEXIBLE HYDRAULIC	耐油橡膠管2.1M	R1-Φ1/2"XW3/4"-16UNFX2.1M	2.00	EA

PRODUCT BOM MASTER AND SUB-ITEMS LIST

Item	Part NO.	Description	中文名稱	Specification	Qty	Unit
21.00	NV 00077030232	NIPPLE, STRAIGHT	直接頭	PT1/2X3/4-16UNF	1.00	EA
22.00	BL 00077030204	ELBOW, 90 DEG MALE	90度肘管接頭	PT1/2"X3/4"-16UNF	1.00	EA
23.00	NL 00069650105	HOSE, FLEXIBLE HYDRAULIC	耐油橡膠管(外覆鋼絲)	R1-Φ1/2"XW3/4"-16UNFX1.2M	1.00	EA
24.00	NV 00077030232	NIPPLE, STRAIGHT	直接頭	PT1/2X3/4-16UNF	1.00	EA
25.00	NV 00077030225	NIPPLE, STRAIGHT	直接頭	PT1/2"X9/16"-18UNF	1.00	EA
26.01	GH 00069650008	HOSE, FLEXIBLE HYDRAULIC	耐油橡膠管	R1-Φ3/8"XW9/16"-18UNFX1.25M	1.00	EA
27.00	NV 00077031504	ELBOW, 90 DEG MALE	90度肘管接頭	PT3/8"(MALE)X9/16"-18UNF(MALE)	1.00	EA
28.00	NV 00069660302	CLAMP, HOSE	不銹鋼管夾	2"(32-50MM)	1.00	EA
29.00	NV 00069650257	HOSE, ZF GEARBOX	明網管	Φ1 1/4"X0.85M	1.00	EA
30.00	NV 00077031729	PLUG, SOCKET HEX.	塞頭(內六角)	PT3/4	2.00	EA



MODEL: TALENT 42/51 B MT

PART NUMBER
NLA000331013A

PAGE 1 OF 1

REV. A

PART NAME
STANDARD PIPING PARTS
一般切削水管路 (40PSI) 成套管路接頭

SCALE 1:16

DATE 2017/2/28

PRODUCT BOM MASTER AND SUB-ITEMS LIST

Master Item Part NO.: NLA000331013A

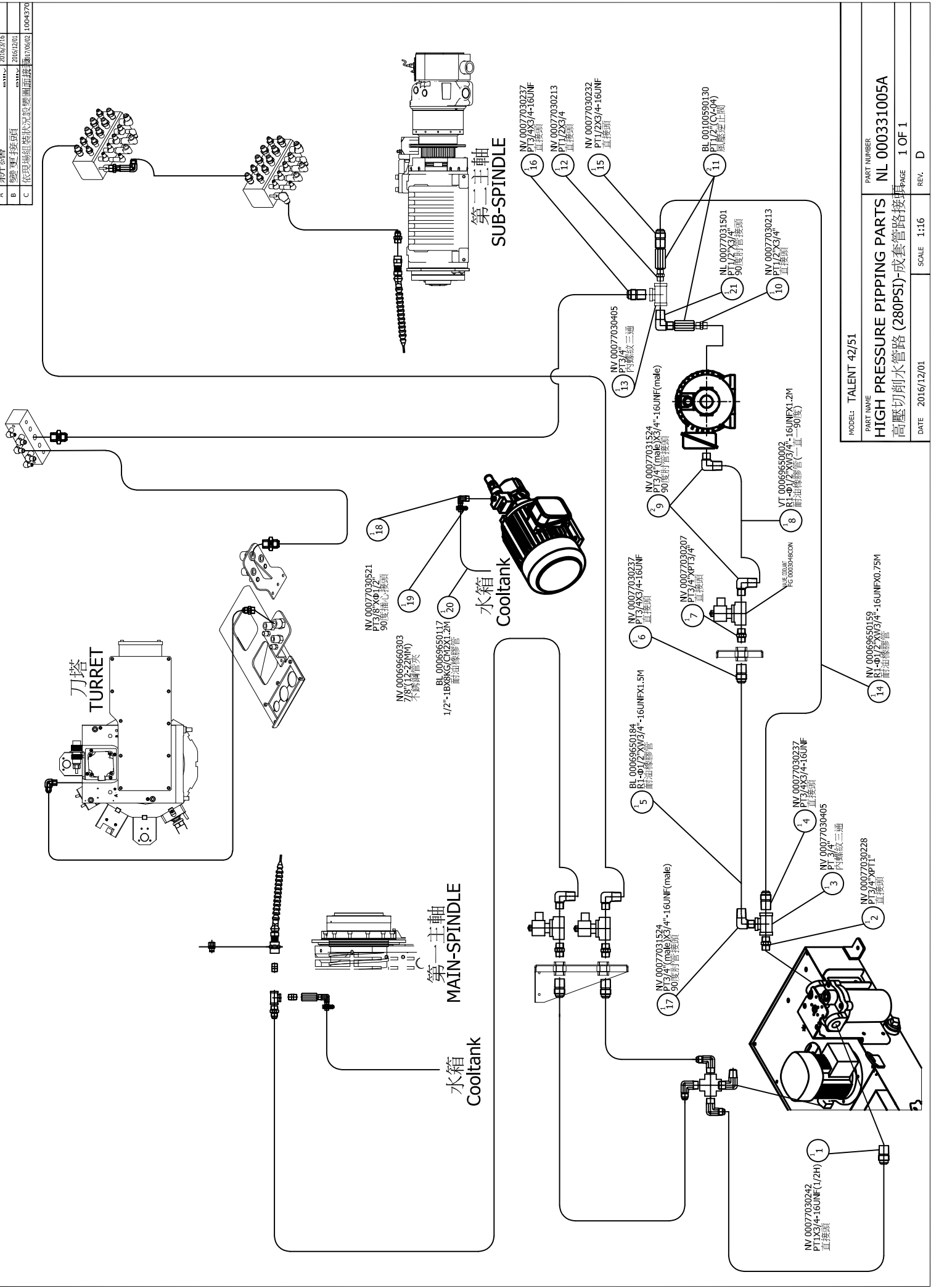
Description: STANDARD PIPING PARTS
一般切削水管路 (40PSI)-成套管路接頭

Item	Part NO.	Description	中文名稱	Specification	Qty	Unit
1.00	NV 00077031706	PLUG, SOCKET HEX.	塞頭	PT3/4	1.00	EA
2.00	NV 00077031502	ELBOW, 90 DEG MALE	90度外雙螺紋肘管	PT3/4"XPT3/4"	1.00	EA
3.00	NV 00077031901	CROSS UNION	內螺紋十字通(四通)	PT3/4"	1.00	EA
4.00	NV 00077031524	ELBOW, 90 DEG MALE	90度肘管接頭	PT3/4"(MALE)X3/4"-16UNF(MALE)	3.00	EA
5.01	NV 00069650159	HOSE, FLEXIBLE HYDRAULIC	耐油橡膠管	R1-Φ 1/2"XW3/4"-16UNFX0.75M	1.00	EA
6.00	NV 00077030237	NIPPLE, STRAIGHT	直接頭	PT3/4X3/4-16UNF	3.00	EA
7.00	NV 00077030207	CONNECTOR, STRAIGHT	直接頭	PT3/4"XPT3/4"	1.00	EA
8.01	NL 00069650124	HOSE, FLEXIBLE HYDRAULIC	耐油橡膠管(一直一90度)	R1-Φ 1/2"XW3/4"-16UNFX3.5M	1.00	EA
9.00	NV 00077030256	NIPPLE, STRAIGHT	直接頭	PT3/8"(M)X9/16-18UNF(M)	1.00	EA
10.01	NL 00077031601	TEE ADAPTER, FEMALE&MALE	銅內外牙三通	3/8"X3/8"PT(CF03T03T03T)	1.00	EA
12.00	NV 00070110103	NOZZLE, COOLANT	冷卻水噴嘴(扁嘴)	PT3/8"X13P(LAMELLIROSTRAL)	1.00	ST
13.00	NV 00077030219	NIPPLE, STRAIGHT	直接頭	PT3/8"TXPT3/8"PT(P013)	1.00	EA
14.00	NV 00100590112	CHECK VALVE, AIR	風壓逆止閥	PT3/8(CV-03)	1.00	EA
15.00	NV 00069660303	CLAMP, HOSE	不銹鋼管夾	7/8"(12-22MM)	1.00	EA
16.00	NV 00077030521	CONNECTOR, 90 DEGREE	90度插心接頭	PT3/8"XΦ 1/2"	1.00	EA
17.00	BL 00069650117	HOSE, FLEXIBLE HYDRAULIC	耐油橡膠管	1/2"-1BX8KG/CM2X1.2M	1.00	EA
18.00	BL 00069650168	HOSE, FLEXIBLE HYDRAULIC	耐油橡膠管	R1-Φ 1/2"XW3/4"-16UNFX0.6M	1.00	EA
19.00	NV 00077030237	NIPPLE, STRAIGHT	直接頭	PT3/4X3/4-16UNF	2.00	EA
20.00	NV 00069650194	HOSE, FLEXIBLE HYDRAULIC	耐油橡膠管2.1M	R1-Φ 1/2"XW3/4"-16UNFX2.1M	1.00	EA

PRODUCT BOM MASTER AND SUB-ITEMS LIST

Item	Part NO.	Description	中文名稱	Specification	Qty	Unit
21.00	NV 00077030232	NIPPLE, STRAIGHT	直接頭	PT1/2X3/4-16UNF	1.00	EA
22.00	BL 00077030204	ELBOW, 90 DEG MALE	90度肘管接頭	PT1/2"X3/4"-16UNF	1.00	EA
23.00	BL 00069650223	HOSE, FLEXIBLE HYDRAULIC	耐油橡膠管(外覆鋼絲)	R1-Φ 1/2"XW3/4"-16UNFX1.5M	1.00	EA
24.00	NV 00077030232	NIPPLE, STRAIGHT	直接頭	PT1/2X3/4-16UNF	1.00	EA
25.00	NV 00077030225	NIPPLE, STRAIGHT	直接頭	PT1/2"X9/16"-18UNF	1.00	EA
26.01	GH 00069650008	HOSE, FLEXIBLE HYDRAULIC	耐油橡膠管	R1-Φ 3/8"XW9/16"-18UNFX1.25M	1.00	EA
27.00	NV 00077031504	ELBOW, 90 DEG MALE	90度肘管接頭	PT3/8"(MALE)X9/16"-18UNF(MALE)	1.00	EA
28.00	NV 00069660302	CLAMP, HOSE	不銹鋼管夾	2"(32-50MM)	1.00	EA
29.00	NV 00069650257	HOSE, ZF GEARBOX	明網管	Φ 1 1/4"X0.85M	1.00	MT
30.00	NV 00077031729	PLUG, SOCKET HEX.	塞頭(內六角)	PT3/4	2.00	EA

D	新增料號	2019/01/19	336331	REV	DESCRIPTION	DATE	ENCL.
A	新件會					2016/3/16	
B	變更 接頭					2016/12/01	
C	依現場組裝狀況調整圖面					2016/06/02	1004370



MODEL:	TALENT 42/51
PART NAME:	HIGH PRESSURE PIPING PARTS 高壓切削水管路(280PSI)-成管路接頭
PART NUMBER:	NL 000331005A
PAGE:	1 OF 1
DATE:	2016/12/01
SCALE:	1:16
REV:	D

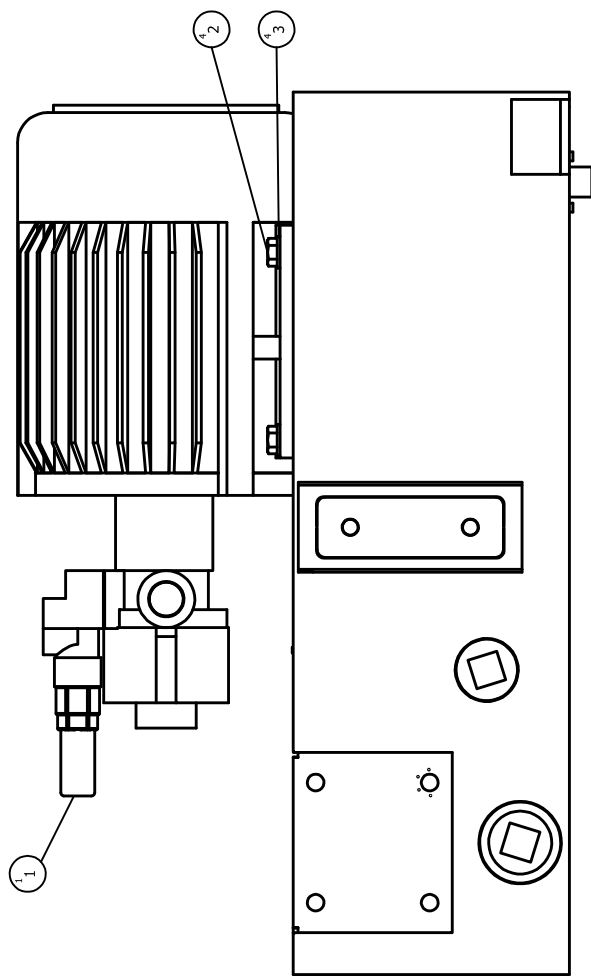
PRODUCT BOM MASTER AND SUB-ITEMS LIST

Master Item Part NO.: NL 000331005A
Description: HIGH PRESSURE PIPING PARTS
高壓切削水管路(280PSI)-成套管路接頭

Item Part NO.	Description	中文名稱	Specification	Qty	Unit
1.00	NV 00077030242	直接頭	PT1"X3/4"-16UNF (1/2H)	1.00	EA
2.00	NV 00077030228	直接頭	PT3/4"XPT1"	1.00	EA
3.00	NV 00077030405	內螺紋三通	PT3/4"	1.00	EA
4.00	NV 00077030237	直接頭	PT3/4X3/4-16UNF	2.00	EA
5.00	BL 00069650184	耐油橡膠管	R1-Φ1/2"XW3/4"-16UNFX1.5M	1.00	EA
6.00	NV 00077030237	直接頭	PT3/4X3/4-16UNF	1.00	EA
7.00	NV 00077030207	直接頭	PT3/4"XPT3/4"	1.00	EA
8.00	VT 00069650002	耐油橡膠管(一直一90度)	R1-Φ1/2"XW3/4"-16UNFX1.2M	1.00	EA
9.00	NV 00077031524	90度肘管接頭	PT3/4"(MALE)X3/4"-16UNF(MALE)	2.00	EA
10.00	NV 00077030213	直接頭	PT1/2"XPT3/4"	1.00	EA
11.00	BL 00100590130	風壓逆止閥(FIRSTEC)	PT1/2"(CV-04)	2.00	EA
12.00	NV 00077030213	直接頭	PT1/2"XPT3/4"	1.00	EA
13.00	NV 00077030405	內螺紋三通	PT3/4"	1.00	EA
14.00	NV 00069650159	耐油橡膠管	R1-Φ1/2"XW3/4"-16UNFX0.75M	1.00	EA
15.00	NV 00077031524	90度肘管接頭	PT3/4"(MALE)X3/4"-16UNF(MALE)	1.00	EA
16.00	NV 00077030237	直接頭	PT3/4X3/4-16UNF	1.00	EA
17.00	NV 00077031524	90度肘管接頭	PT3/4"(MALE)X3/4"-16UNF(MALE)	1.00	EA
18.00	NV 00077030521	90度插心接頭	PT3/8"XΦ1/2"	1.00	EA
19.00	NV 00069660303	不銹鋼管夾	7/8"(12-22MM)	1.00	EA

PRODUCT BOM MASTER AND SUB-ITEMS LIST

Item	Part NO.	Description	中文名稱	Specification	Qty	Unit
20.00	BL 00069650117	HOSE, FLEXIBLE HYDRAULIC	耐油橡膠管	1/2"-1BX8KG/CM2X1.2M	1.00	EA
21.00	NL 00077031501	CONNECTOR	90度肘管接頭	PT 1/2"XPT3/4"(諭興 AL0204T06T)	1.00	EA



MODEL: TALENT 42/51 A B

PART NAME

HIGH PRESSURE PUMP
高壓切劑水幫浦280PSI

PART NUMBER

NL 000331009A

PAGE 1 OF 1

SCALE 1:16

DATE 2016/06/07

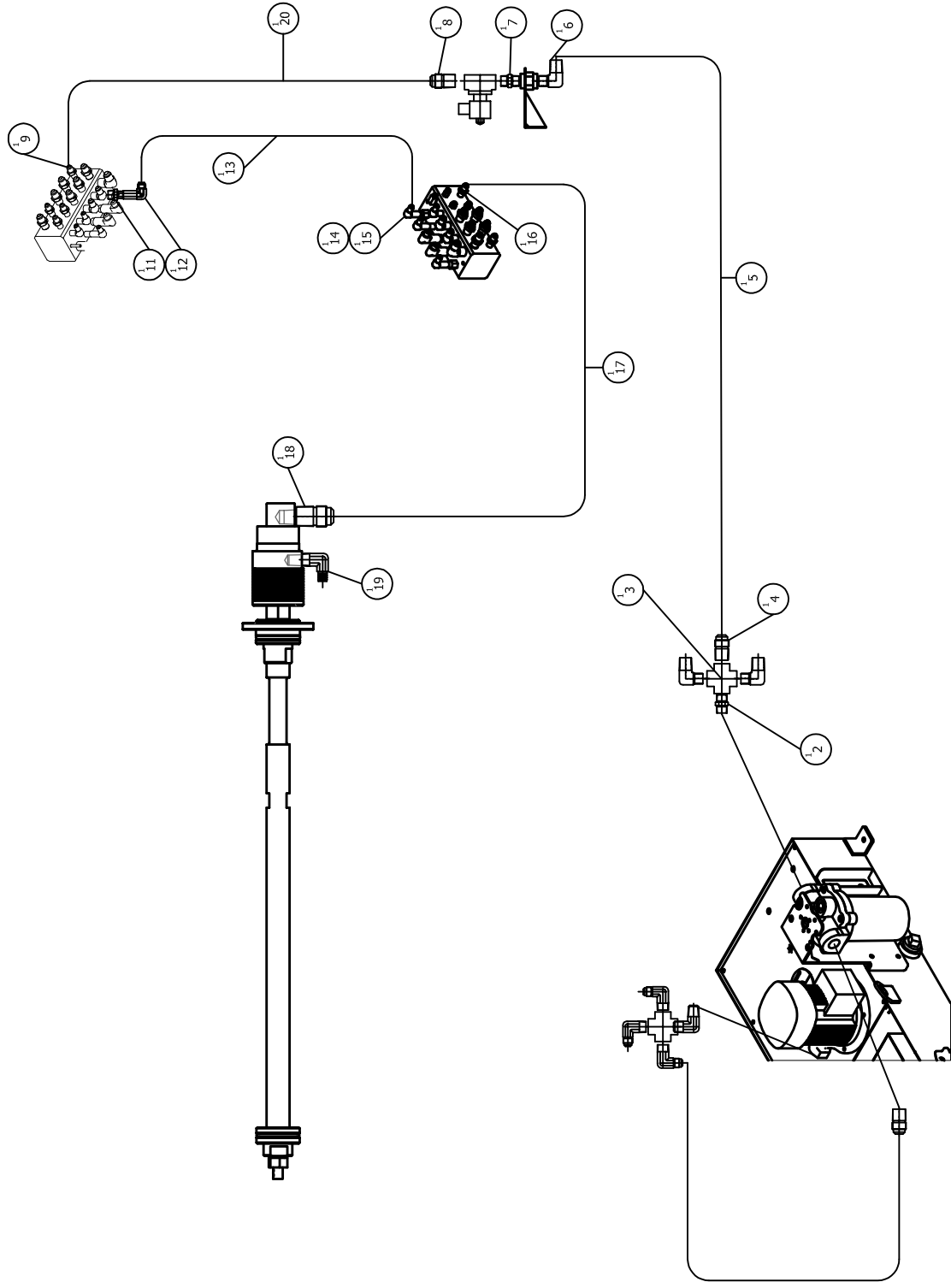
REV. A

PRODUCT BOM MASTER AND SUB-ITEMS LIST

Master Item Part NO.: NL 000331009A

Description: HIGH PRESSURE PUMP
高壓切削水泵浦280PSI

Item	Part NO.	Description	中文名稱	Specification	Qty	Unit
1.00	NL 00033250101	PUMP, COOLANT	電控-切削水泵浦-280PSI	[NO]TOP-216HWMVD,50/60HZ	1.00	ST
2.00	MS 0154021	HEX HD. FULL THD	六角頭螺絲	M10XP1.5XL35, ST12.9	4.00	EA
3.00	MW 0104010	FLAT WASHER	平墊圈	M10	4.00	EA



MODEL: TALENT 42/51	SCALE: 1:16
PART NAME Through Spindle Coolant(Sub-Spindle) 切削水系統(第二主軸中心給水)	REV. A
PART NUMBER NL 000331015A	PAGE 1 OF 1
DATE 2017/5/4	

PRODUCT BOM MASTER AND SUB-ITEMS LIST

Master Item Part NO.: NL 000331015A

Description: PIPING, THUR SPINDLE COOLANT
中心給水-成套管路接頭

Item	Part NO.	Description	中文名稱	Specification	Qty	Unit
1.00	NV 00077030242	NIPPLE, STRAIGHT	直接頭	PT1"X3/4"-16UNF(1/2H)	1.00	EA
2.00	NV 00077030228	NIPPLE, STRAIGHT	直接頭	PT3/4"XPT1"	1.00	EA
3.00	NV 00077031901	CROSS UNION	內螺紋十字通(四通)	PT3/4"	1.00	EA
4.00	NV 00077030237	NIPPLE, STRAIGHT	直接頭	PT3/4X3/4-16UNF	1.00	EA
5.00	NL 00069650126	HOSE, FLEXIBLE HYDRAULIC	耐油橡膠管(一直-90度)	R1-Φ1/2"XW3/4"-16UNFX2.0M	1.00	EA
6.00	NV 00077031524	ELBOW, 90 DEG MALE	90度肘管接頭	PT3/4"(MALE)X3/4"-16UNF(MALE)	1.00	EA
7.00	NV 00077030207	CONNECTOR, STRAIGHT	直接頭	PT3/4"XPT3/4"	1.00	EA
8.00	NV 00077030237	NIPPLE, STRAIGHT	直接頭	PT3/4X3/4-16UNF	1.00	EA
9.00	NV 00077030232	NIPPLE, STRAIGHT	直接頭	PT1/2X3/4-16UNF	1.00	EA
10.00	NV 00077031229	BUSHING	卜申接頭	PT1/2(M)XPT3/8(F)	1.00	EA
11.00	GH 00077031503	ELBOW, 90 DEG MALE	90度肘管接頭(PT加長)	PT3/8"X3/4"-16UNF	1.00	EA
12.00	BL 00069650162	HOSE, FLEXIBLE HYDRAULIC	耐油橡膠管(外覆鋼絲)	R1-Φ1/2"XW3/4"-16UNFX1.6M	1.00	EA
13.00	NV 00077032803	BUSHING FITTING	表接接頭	PT3/8"(內牙)XPT1/4"(外牙)	1.00	EA
14.00	GH 00077031503	ELBOW, 90 DEG MALE	90度肘管接頭(PT加長)	PT3/8"X3/4"-16UNF	1.00	EA
15.00	NV 00077030210	NIPPLE, STRAIGHT	直接頭	PT1/4"X9/16"-18UNF	1.00	EA
16.00	NV 00077030210	NIPPLE, STRAIGHT	直接頭	PT1/4"X9/16"-18UNF	1.00	EA
17.00	BL 00069650105	HOSE, FLEXIBLE HYDRAULIC	耐油橡膠管	R1-Φ3/8"XW9/16"-18UNFX1.65M	1.00	EA
18.00	NV 00077030207	CONNECTOR, STRAIGHT	直接頭	PT3/4"XPT3/4"	1.00	EA
19.00	NV 00077030565	CONNECTOR	90度插心接頭	PT1/4"XΦ1/2"	1.00	EA

PRODUCT BOM MASTER AND SUB-ITEMS LIST

Item	Part NO.	Description	中文名稱	Specification	Qty	Unit
20.00	GH 00069650034	HOSE, FLEXIBLE HYDRAULIC	耐油橡膠管	R1-Φ 1/2"XW3/4"-16UNFX2.35M	1.00	EA

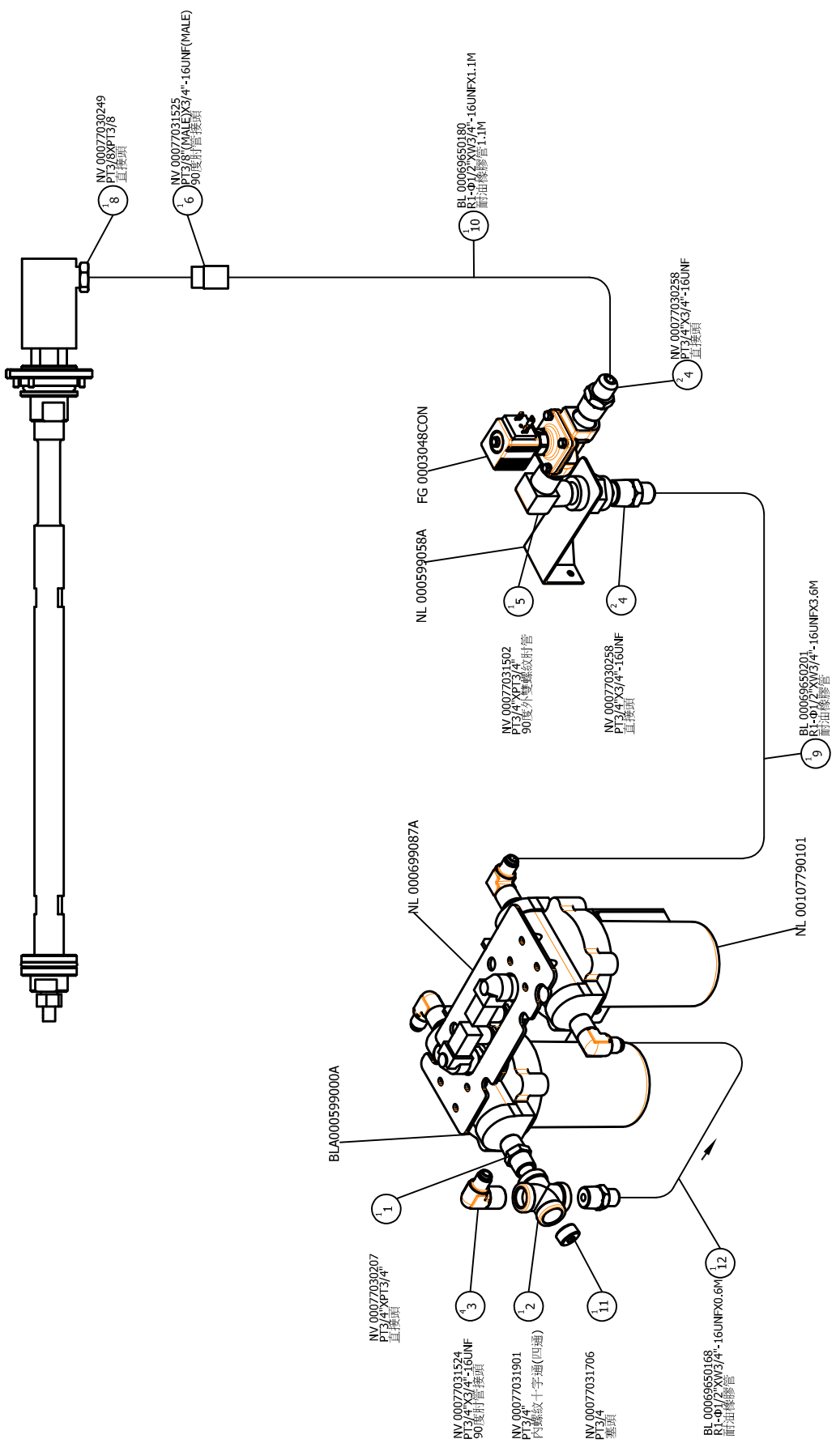
PRODUCT BOM MASTER AND SUB-ITEMS LIST

Master Item Part NO.: NL 000331017A

Description: COOLANT WASH DOWN(WATER GUN)
切削水加裝噴槍沖屑

Item	Part NO.	Description	中文名稱	Specification	Qty	Unit
1.00	NV 01070350105	COOLANT GUN WITH TUBE	切削水噴槍(改良型)PT1/4	[諭興]水槍AP20(短)+旋轉接頭+1/2L直插心	1.00	EA
2.00	NV 00077030511	CONNECTOR	插心直接頭	PT1/4"XΦ1/2"	1.00	EA
3.00	NV 00069660303	CLAMP, HOSE	不銹鋼管夾	7/8"(12-22MM)	2.00	EA
4.00	NV 00069650147	HOSE, FLEXIBLE HYDRAULIC	耐油橡膠管	1/2"-1BX8KG/CM2X3.9M	1.00	EA
5.01	NV 00077030522	CONNECTOR	插心直接頭	PT3/8"XΦ1/2"	1.00	EA
6.00	NV 00077030208	NIPPLE, STRAIGHT	直接頭	PT3/8X9/16-18UNF	1.00	EA
7.00	GH 00069650003	HOSE, FLEXIBLE HYDRAULIC	耐油橡膠管(一直-90度)	R1-Φ3/8"XW9/16"-18UNFX0.75M	1.00	EA
8.00	NV 00077030208	NIPPLE, STRAIGHT	直接頭	PT3/8X9/16-18UNF	1.00	EA
9.01	NV 00077032806	BUSHING	卜申接頭	PT1"(M)XPT3/8"(F)	1.00	EA
10.01	NV 00077030228	NIPPLE, STRAIGHT	直接頭	PT3/4"XPT1"	1.00	EA
11.01	NV 00100590202	TEE BALL VALVE	T型球式閥	PT1"	1.00	EA
12.01	NV 00077030242	NIPPLE, STRAIGHT	直接頭	PT1"X3/4"-16UNF(1/2H)	1.00	EA

REV	DESCRIPTION	DATE	EQVL
A	新件發	2018/9/17	1004622
B	由於管路干涉, 移除# 32512	2018/01/08	32512



MODEL: TALENT 51	PART NUMBER: NL 000331022A
PART NAME: SPINDLE THRU-COOLANT(MAIN-SPINDLE)-PIPING PARTS	PAGE: 1 OF 1
第一主軸中心給水-成套接頭	REV: B
DATE: 2018/9/17	SCALE: 1:16

PRODUCT BOM MASTER AND SUB-ITEMS LIST

Master Item Part NO.: NL 000331022A

Description: SPINDLE THRU-COOLANT(MAIN-SPIN
第一主軸中心給水-成套接頭

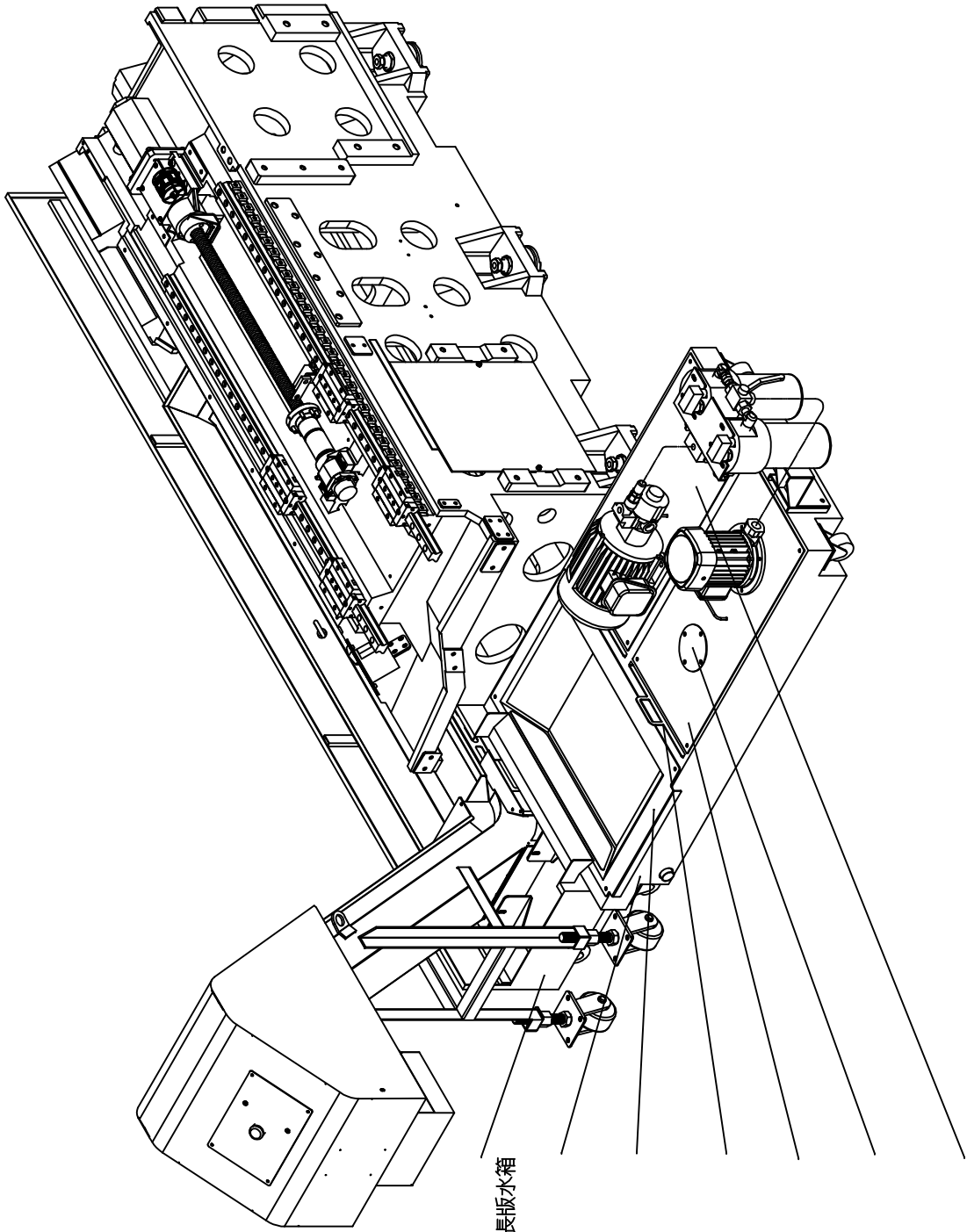
Item Part NO.	Description	中文名稱	Specification	Qty	Unit
1.00 NV 00077030207	CONNECTOR, STRAIGHT	直接頭	PT3/4"XPT3/4"	1.00	EA
2.01 NV 00077031901	CROSS UNION	內螺紋十字通(四通)	PT3/4"	1.00	EA
3.00 NV 00077031524	ELBOW, 90 DEG MALE	90度肘管接頭	PT3/4"(MALE)X3/4"-16UNF(MALE)	4.00	EA
4.00 NV 00077030258	NIPPLE, STRAIGHT	直接頭	PT3/4"X3/4"-16UNF	2.00	EA
5.00 NV 00077031502	ELBOW, 90 DEG MALE	90度外雙螺紋肘管	PT3/4"XPT3/4"	1.00	EA
6.00 NV 00077031525	ELBOW, 90 DEG MALE	90度肘管接頭	PT3/8"(MALE)X3/4"-16UNF(MALE)	1.00	EA
8.00 NV 00077030249	NIPPLE, STRAIGHT	直接頭	PT3/8XPT3/8	1.00	EA
9.00 BL 00069650201	HOSE, FLEXIBLE HYDRAULIC	耐油橡膠管	R1-Φ1/2"XW3/4"-16UNFX3.6M	1.00	EA
10.00 BL 00069650180	HOSE, FLEXIBLE HYDRAULIC	耐油橡膠管1.1M	R1-Φ1/2"XW3/4"-16UNFX1.1M	1.00	EA
11.00 NV 00077031706	PLUG, SOCKET HEX.	塞頭	PT3/4	1.00	EA
12.00 BL 00069650168	HOSE, FLEXIBLE HYDRAULIC	耐油橡膠管	R1-Φ1/2"XW3/4"-16UNFX0.6M	1.00	EA

Chapter 9

除削

Chip

REV	DESCRIPTION	DATE	ECN
A	零件拆圖	2020/03/09	37384



- ① 1
- ① 2
- ① 3
- ① 4
- ① 5
- ① 6
- ① 7

注意:是長版水箱

MODEL: Talent 42/51 B	PART NUMBER	REV. A
PART NAME	NL 000331519A -BOM	
BOM for OVER-FLOW COOLENT TANK	PAGE 1 OF 1	
TALENT B 溢流式切灣山水箱	SCALE 1:20	
DATE 2020/03/09		

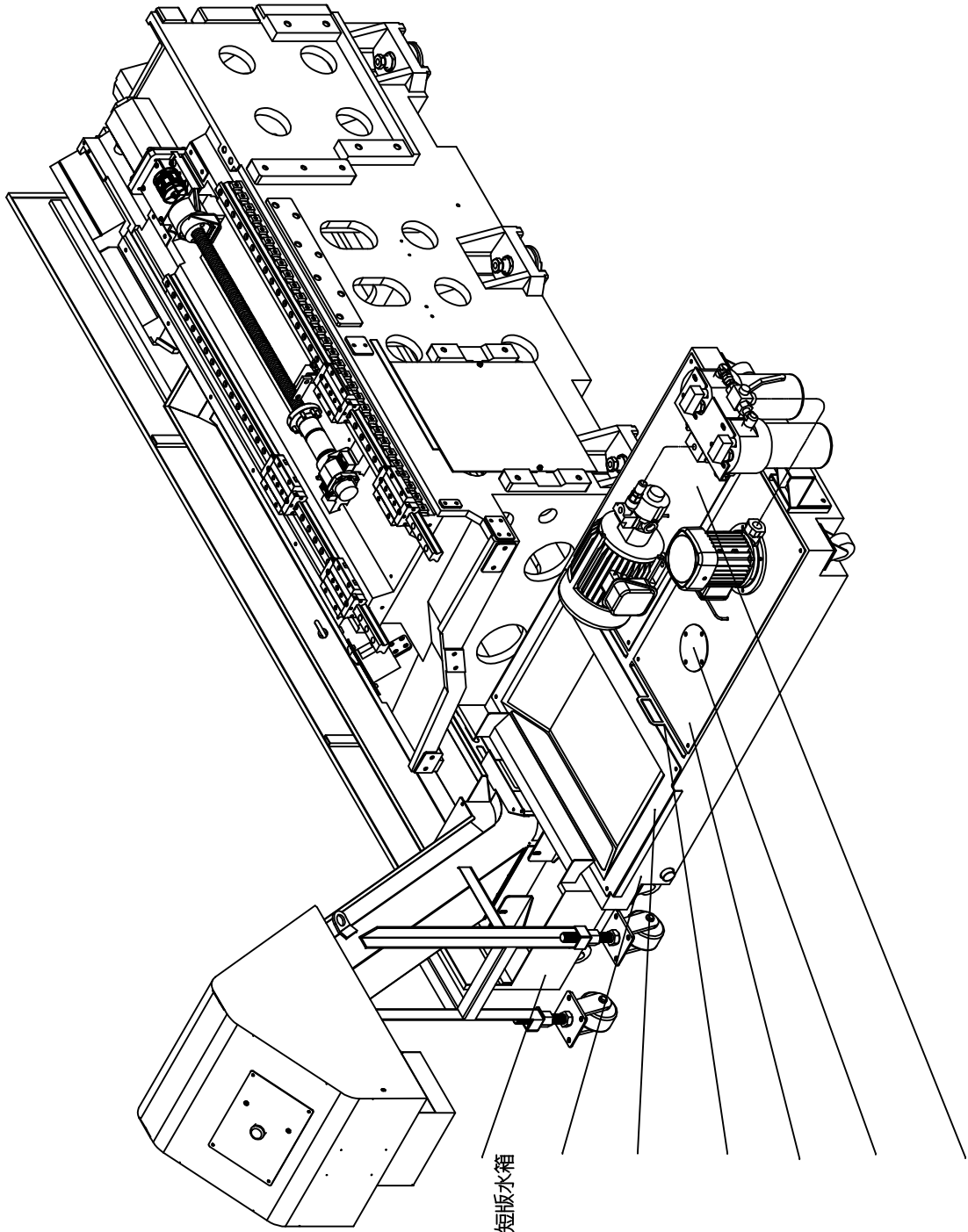
PRODUCT BOM MASTER AND SUB-ITEMS LIST

Master Item Part NO.: NL 000331519A

Description: BOM,OVER-FLOW COOLENT TANK
TALENT B 長版-溢流式切削水箱BOM

Item Part NO.	Description	中文名稱	Specification	Qty	Unit
1.00 NL 000331512A	FRONT COOLANT TANK (OVER FLOW)	Talent B長板-前水箱(溢流式水箱)	L2847XW353XH385_TALENT B	1.00	ST
2.00 NL 000331513A	REAR COOLANT TANK (OVER FLOW)	後水箱(溢流式水箱)	L1290XW730XH165	1.00	ST
3.00 NL 000331514A	CHIP TROUGH (OVER FLOW)	蓄屑槽 (溢流式水箱)	L740XW460XH95	1.00	ST
4.00 NL 000331518A	FILTER SCREEN (OVER FLOW)	水位計蓋板(溢流式水箱)	D120XH2.3	1.00	ST
5.00 NL 000331515A	TOP COVER-RIGHT(OVER FLOW)	後水箱上蓋-右側(溢流式水箱)	L740XW340XH2.3	1.00	ST
6.00 NL 000331517A	COVER (OVER FLOW)	水位計蓋板(溢流式水箱)	D120XH2.3	1.00	ST
7.00 NL 000331516A	TOP COVER-LEFT(OVER FLOW)	後水箱上蓋-左側(溢流式水箱)	L740XW340XH2.3	1.00	ST

REV	DESCRIPTION	DATE	ECN
A	零件拆圖	2020/03/09	37384



- ① 1
- ① 2
- ① 3
- ① 4
- ① 5
- ① 6
- ① 7

注意:是短版水箱

MODEL: Talent 42/51 A	
PART NAME	PART NUMBER
BOM for OVER-FLOW COOLENT TANK	NL 000331529A-BOM
TALENT A 短版 - 溢流式切屑冷却水箱 BOM	PAGE 1 OF 1
DATE 2020/03/09	REV. A
SCALE 1:20	

PRODUCT BOM MASTER AND SUB-ITEMS LIST

Master Item Part NO.: NL 000331529A

Description: BOM,OVER-FLOW COOLENT TANK
TALENT A短版-溢流式切削水箱BOM



Item Part NO.	Description	中文名稱	Specification	Qty	Unit
1.00 NL 000331520A	FRONT COOLANT TANK (OVER FLOW)	TALENT A短版-前水箱(溢流式水箱)	L2847XW353XH385-TALENT A	1.00	ST
2.00 NL 000331513A	REAR COOLANT TANK (OVER FLOW)	後水箱(溢流式水箱)	L1290XW730XH165	1.00	ST
3.00 NL 000331514A	CHIP TROUGH (OVER FLOW)	蓄屑槽 (溢流式水箱)	L740XW460XH95	1.00	ST
4.00 NL 000331518A	FILTER SCREEN (OVER FLOW)	水位計蓋板(溢流式水箱)	D120XH2.3	1.00	ST
5.00 NL 000331515A	TOP COVER-RIGHT(OVER FLOW)	後水箱上蓋-右側(溢流式水箱)	L740XW340XH2.3	1.00	ST
6.00 NL 000331517A	COVER (OVER FLOW)	水位計蓋板(溢流式水箱)	D120XH2.3	1.00	ST
7.00 NL 000331516A	TOP COVER-LEFT(OVER FLOW)	後水箱上蓋-左側(溢流式水箱)	L740XW340XH2.3	1.00	ST

Chapter 10

銘牌

Tag

PRODUCT BOM MASTER AND SUB-ITEMS LIST

Master Item Part NO.: NL 000111101A

Description: BUTTON UP-CE

銘牌位置圖-英文版

Item	Part NO.	Description	中文名稱	Specification	Qty	Unit
1.00	BL 0010366LPLT	TAG,H HARDINGE LOGO PLATE (L)	H HARDINGE LOGO銘牌(大)	L529.5XW123.7XT3.3	1.00	EA
2.00	BL 001030239A	TAG-TALENT,WARNING	警告銘牌-車床(注意零件彈射+手指剪斷+夾傷區域)5XW76		4.00	ST
3.00	CM 0010366SH	TAG, HARDINGE LOGO	HARDINGE LOGO銘牌(小H)	PER ATTACHMENT(L60XW60)	1.00	EA
4.00	BL 001030231A	TAG, AIR NOZZLE	噴槍銘牌	L80XW48	1.00	EA
5.00	NV 001030368A	TAG, LIFTING POINT	堆高機舉起處銘牌	L60XW60	2.00	EA
6.00	BL 001030256A	TAG,POWER SWITCH	電源開關銘牌	L60XW50	1.00	EA
7.00	BL 000327918	DOOR INTERLOCK PLATE	門連鎖開關銘牌(英文)	40*50	1.00	EA
8.00	NVA001030240A	TAG, ELECTRICAL HAZARD	電擊銘牌	L94XW100	3.00	EA
9.00	BL 001030311A	TAG, MACHINE MODEL	機型銘牌	L120XW110XT0.8	1.00	EA
10.00	BL 001030290K	TAG, MAIN PRESSURE	銘牌(主壓50 BAR)	L54XW25	1.00	EA
11.00	BLA001030227A	TAG, OIL DRAIN	排油口銘牌	L36XW30	1.00	EA
12.00	BL 001030255A	TAG, OIL INLET	注油口銘牌	L36XW30	1.00	ST
13.01	BLA001030229A	TAG, PNEUMATIC	氣壓銘牌	L95XW30	1.00	EA
14.00	BL 001030221A	TAG / CHIP CONVEYOR	鐵屑輸送機銘牌	L19XW26	1.00	EA
15.00	BLA001030235A	TAG,WARNING	警告銘牌	W260XB76	1.00	ST
16.00	NL 001030201A	TAG, MAIN SPINDLE	銘牌-第一主軸	L54XW25	1.00	EA
17.00	BL 001030235C	TAG / COOLANT	切削水銘牌	L19XW26	1.00	EA

PRODUCT BOM MASTER AND SUB-ITEMS LIST

Master Item Part NO.: NL 000111101AS

Description: TAG , ENGLISH (CE)
英文銘牌 (CE)

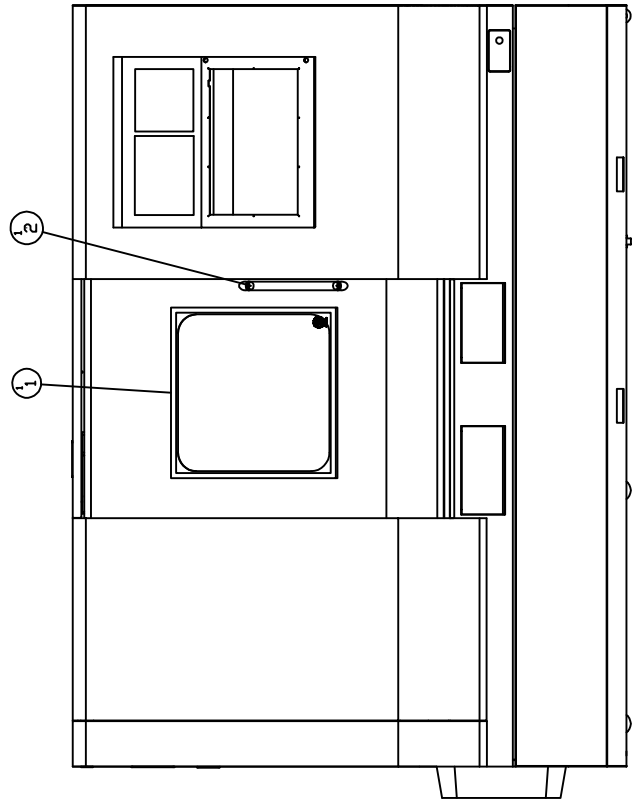
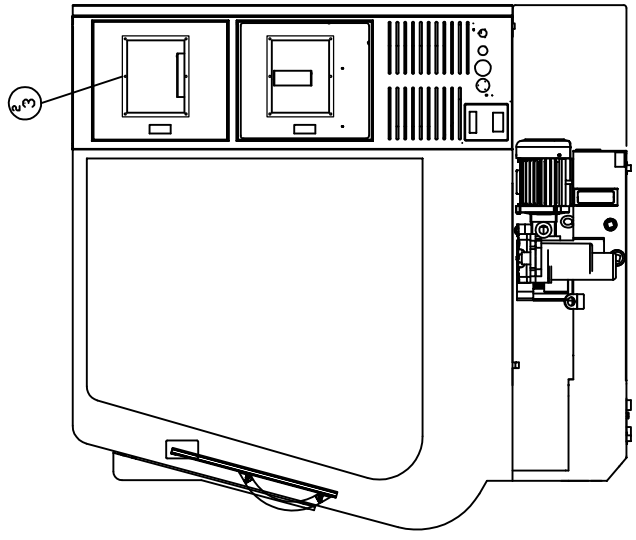
Item	Part NO.	Description	中文名稱	Specification	Qty	Unit
1.00	BL 0010366LPLT	TAG,H HARDINGE LOGO PLATE (L)	H HARDINGE LOGO銘牌(大)	L529.5XW123.7XT3.3	1.00	EA
2.00	BL 001030239A	TAG-TALENT,WARNING	警告銘牌-車床(注意零件彈射+手指剪斷+夾傷區域)5XW76		4.00	ST
3.00	CM 0010366SH	TAG, HARDINGE LOGO	HARDINGE LOGO銘牌(小H)	PER ATTACHMENT(L60XW60)	1.00	EA
4.00	BL 001030231A	TAG, AIR NOZZLE	噴槍銘牌	L80XW48	1.00	EA
5.00	NV 001030368A	TAG, LIFTING POINT	堆高機舉起處銘牌	L60XW60	2.00	EA
6.00	BL 001030256A	TAG,POWER SWITCH	電源開關銘牌	L60XW50	1.00	EA
7.00	BL 000327918	DOOR INTERLOCK PLATE	門連鎖開關銘牌(英文)	40*50	1.00	EA
8.00	NVA001030240A	TAG, ELECTRICAL HAZARD	電擊銘牌	L94XW100	3.00	EA
9.00	BL 001030311A	TAG, MACHINE MODEL	機型銘牌	L120XW110XT0.8	1.00	EA
10.00	BL 001030290K	TAG, MAIN PRESSURE	銘牌(主壓50 BAR)	L54XW25	1.00	EA
11.00	BLA001030227A	TAG, OIL DRAIN	排油口銘牌	L36XW30	1.00	EA
12.00	BL 001030255A	TAG, OIL INLET	注油口銘牌	L36XW30	1.00	ST
13.01	BLA001030229A	TAG, PNEUMATIC	氣壓銘牌	L95XW30	1.00	EA
14.00	BL 001030221A	TAG / CHIP CONVEYOR	鐵屑輸送機銘牌	L19XW26	1.00	EA
15.00	BLA001030235A	TAG,WARNING	警告銘牌	W260XB76	1.00	ST
16.00	NL 001030201A	TAG, MAIN SPINDLE	銘牌-第一主軸	L54XW25	1.00	EA
17.00	NL 001030202A	TAG, SUB SPINDLE	銘牌-第二主軸	L54XW25	1.00	EA

Chapter 11

板金

Sheet metal Assm.

REV	DESCRIPTION	DATE	ECN
A	初版	2015/11/25	1004021



MODEL: P 42/51/150/200B		PART NUMBER	
ENCLOSURE ASSM.		NL 001045303A	
夕外型基板金一採集機类頁		PAGE 1 OF 1	
DATE 2015/11/25	Draw Desk	SCALE 1:28	REV. A

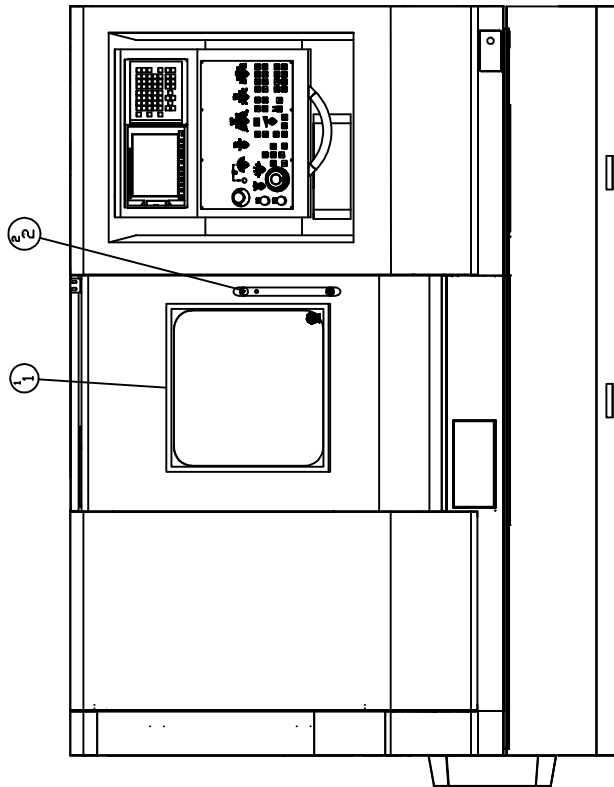
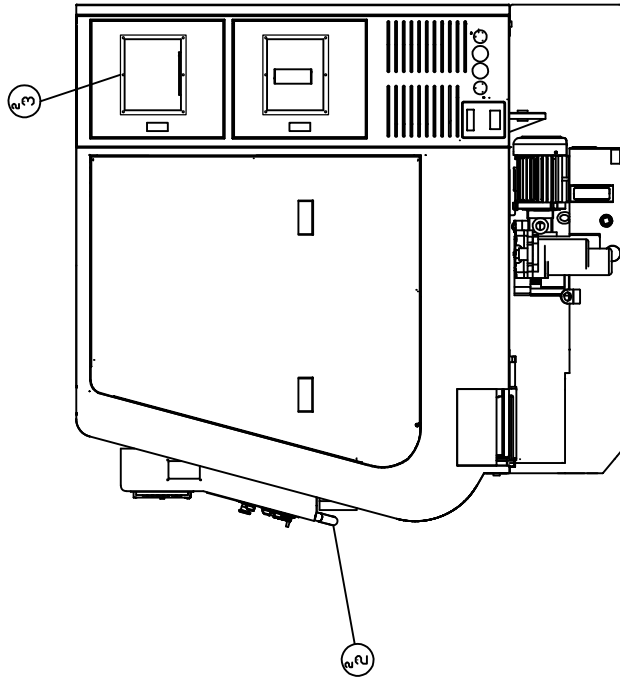
PRODUCT BOM MASTER AND SUB-ITEMS LIST

Master Item Part NO.: NL 001045303A

Description: ENCLOSURE ASSM(P150B)
外型板金-採購類

Item	Part NO.	Description	中文名稱	Specification	Qty	Unit
1.01	BLB001044905K	VISION PANEL	安全窗	590*590*20.5	1.00	EA
2.00	NV 000699001A	HANDLE ASSEMBLY	把手組成	ASSM	1.00	ST
3.00	BL 001044901K	WINDOW	壓克力板	L280XW230XT5	2.00	EA
4.00	NV 00069660305	CLAMP, HOSE	不銹鋼管夾	4 1/2"(90-110)	2.00	EA
5.00	NL 00070070203	FLEXIBLE TUBING	伸縮管	4"XL1.5M	1.00	MT
6.00	NL 00070070204	FLEXIBLE TUBING	伸縮管	4"XL1.3M	1.00	MT

REV	DESCRIPTION	DATE	ECN
A	NAK	2015/12/13	100462



MODEL: TALENT 42/51 B

PART NAME
ENCLOSURE ASSM.

夕外型板金—探測機類

DATE 2015/11/25

PART NUMBER
NL 001045304A

PAGE 1 OF 1

REV. A

SCALE 1:28

Drawn
P. Seck

PRODUCT BOM MASTER AND SUB-ITEMS LIST

Master Item Part NO.: NL 001045304A

Description: ENCLOSURE ASSM(P150B)
外型板金-採購類

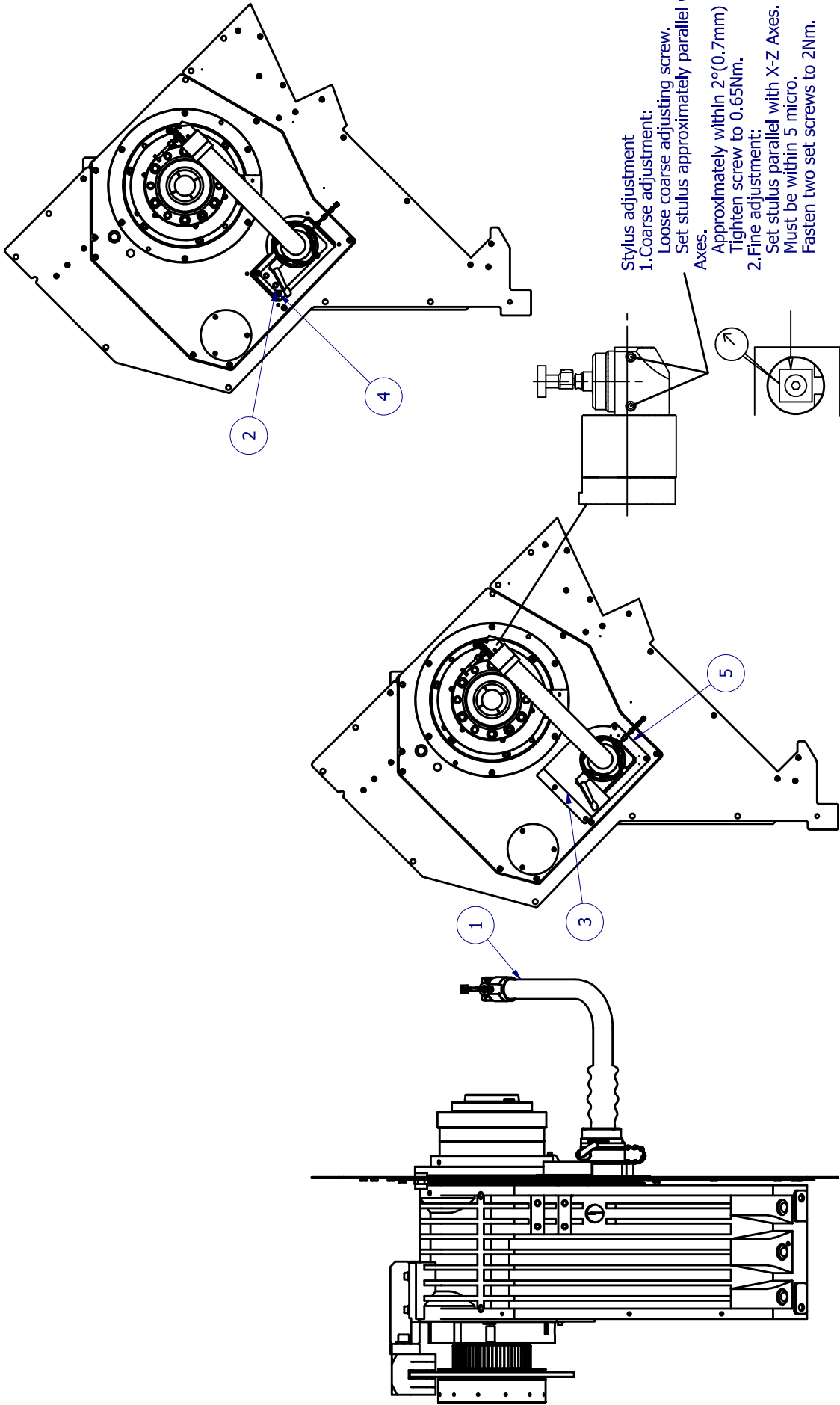
Item	Part NO.	Description	中文名稱	Specification	Qty	Unit
1.00	BLB001044905K	VISION PANEL	安全窗	590*590*20.5	1.00	EA
2.00	NV 000699001A	HANDLE ASSEMBLY	把手組成	ASSM	2.00	ST
3.00	BL 001044901K	WINDOW	壓克力板	L280XW230XT5	2.00	EA
4.00	NV 00069660305	CLAMP, HOSE	不銹鋼管夾	4 1/2"(90-110)	2.00	EA
5.01	NL 00070070204	FLEXIBLE TUBING	伸縮管	4"XL1.3M	1.00	MT

Chapter 13

特殊附件

Option

次序	設計變更紀錄	日期	ECN.
A	新繪	2016/06/05	--
B	配合CIM變更	2017/10/25	1004466



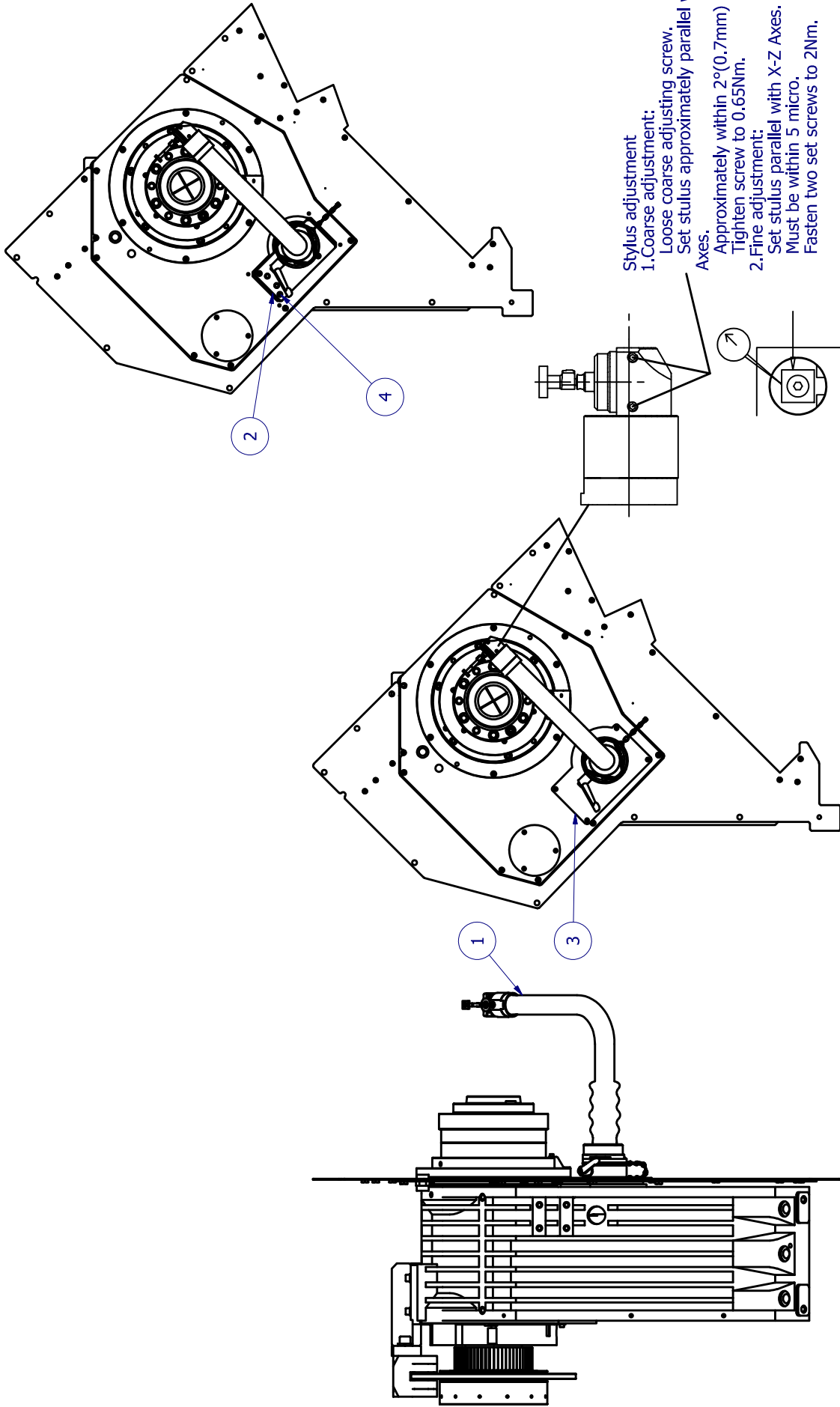
MODEL: TALENT 42/51	PART NUMBER
PART NAME	NL 000253613A
TOOL PROBE-HPRA,W/O SUB SPINDLE	PL66C/20C)1 OF 1
刀具量測-手動拆卸量刀臂(無第二主軸	REV. B
DATE 2016/10/13	SCALE 1:10

PRODUCT BOM MASTER AND SUB-ITEMS LIST

Master Item Part NO.: NL 000253613A

Description: TOOL PROBE-HPMA,W/O SUB SPINDL
刀具量測-可拆式量刀臂(無第二主軸+16C/20C)

Item Part NO.	Description	中文名稱	Specification	Qty	Unit
1.00 NL 000253611A	TOOL PROBE ARM W/O MOTOR(HPRA	刀具量測(TALENT 42/51單主軸)	A-2176-7501(HPRA)	1.00	EA
2.02 NLC001066116A	BRACKET, TOOL PROBE	刀具量測座	L153XW75XH36.8	1.00	EA
3.01 NLA000599006A	COVER	刀具量測蓋板	TEMP	1.00	EA
4.00 MS 0103516NI	SOCKET HEAD CAP SCREW (NICKEL)	六角穴圓頭螺絲(鍍鎳)	M5XP0.8XL12	4.00	EA
5.00 NLA000299035A	COVER	中隔板_下蓋板B	HT060DC6	1.00	ST



Stylus adjustment
 1. Coarse adjustment:
 Loose coarse adjusting screw.
 Set stylus approximately parallel with X-Z
 Axes.
 Approximately within 2°(0.7mm)
 Tighten screw to 0.65Nm.
 2. Fine adjustment:
 Set stylus parallel with X-Z Axes.
 Must be within 5 micro.
 Fasten two set screws to 2Nm.

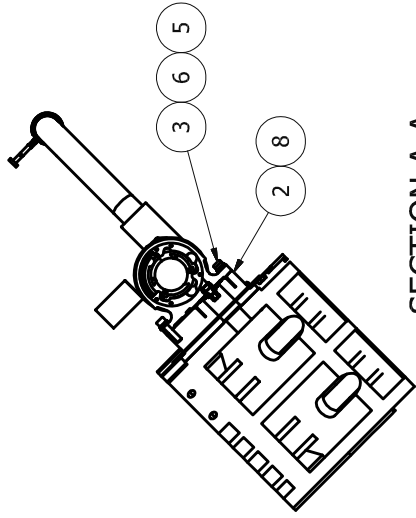
MODEL: TALENT 42/51	PART NUMBER
PART NAME	NL 000253615A
TOOL PROBE-HPRA,W/O SUB SPINDLE	PAGE(8)
刀具量測-手動拆卸量刀臂(無第二主軸)	1 OF 1
DATE 2016/10/13	REV. A
SCALE 1:10	

PRODUCT BOM MASTER AND SUB-ITEMS LIST

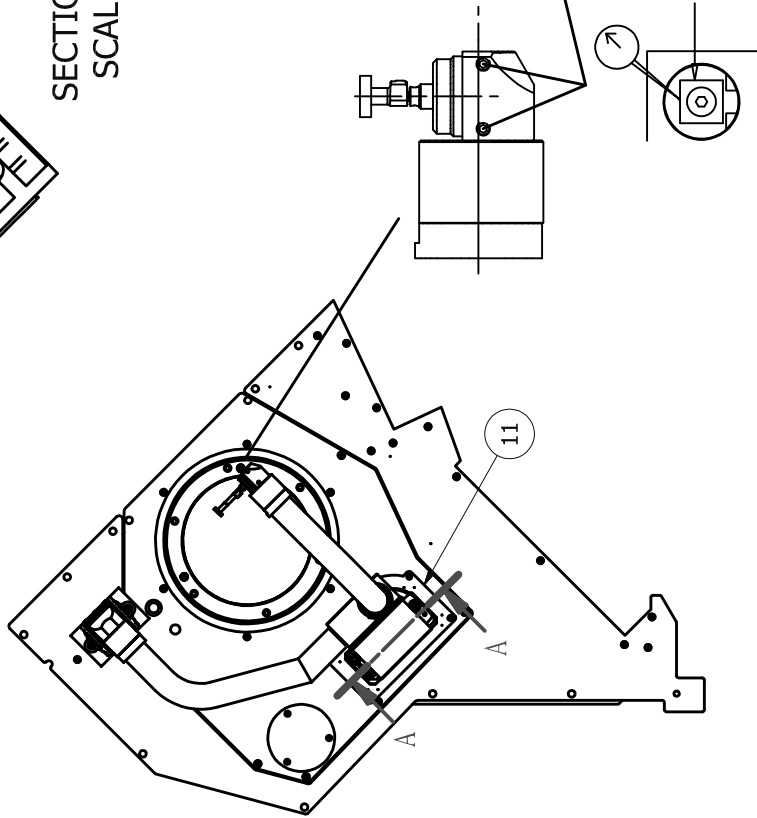
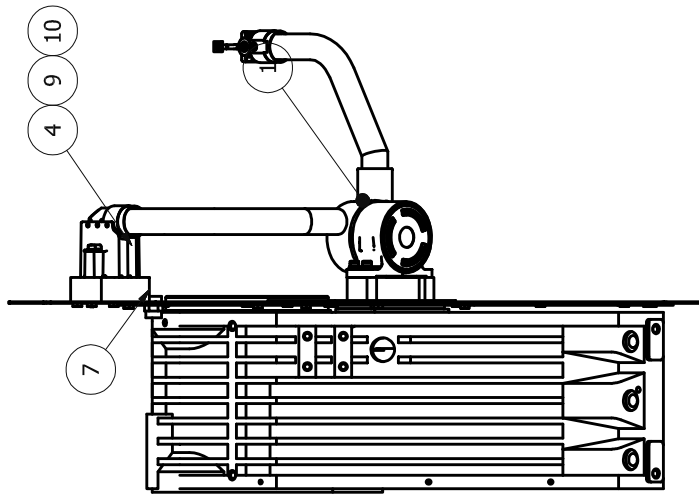
Master Item Part NO.: NL 000253615A

Description: TOOL PROBE-HPMA,W/O SUB SPINDL
刀具量測-可拆式量刀臂(無第二主軸+6"/8")

Item Part NO.	Description	中文名稱	Specification	Qty	Unit
1.00 NL 000253611A	TOOL PROBE ARM W/O MOTOR(HPRA)	刀具量測(TALENT 42/51單主軸)	A-2176-7501(HPRA)	1.00	EA
2.01 NLA001066118A	BRACKET, TOOL PROBE	刀具量測座(三爪夾頭用)	L153XW75XH9	1.00	EA
3.00 NL 000399083A	PLATE	刀具量測蓋板	TEMP	1.00	EA
4.00 MS 0103516NI	SOCKET HEAD CAP SCREW (NICKEL)	六角六圓頭螺絲(鍍鎳)	M5XP0.8XL12	4.00	EA



SECTION A-A
SCALE 1/8



Stylus adjustment
 1. Coarse adjustment:
 Loose coarse adjusting screw.
 Set stylus approximately parallel with X-Z
 Axes.
 Approximately within 2°(0.7mm)
 Tighten screw to 0.65Nm.
 2. Fine adjustment:
 Set stylus parallel with X-Z Axes.
 Must be within 5 micro.
 Fasten two set screws to 2Nm.

MODEL: TALENT 42/51 B

PART NUMBER:

刀具量測自動馬達量刀臂(無第二主軸
 #16C/20C)
 #1661P166E-HPMA,W/ SUB SPINDLE(16C/20C)

PART NUMBER
 NL 000253605A

DATE 2016/05

SCALE 1:10

PAGE 1 OF 1

REV. A

PRODUCT BOM MASTER AND SUB-ITEMS LIST

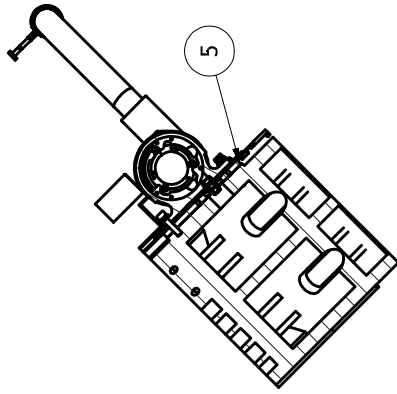
Master Item Part NO.: NL 000253605A

Description: TOOL PROBE-HPMA,W/O SUB SPINDL

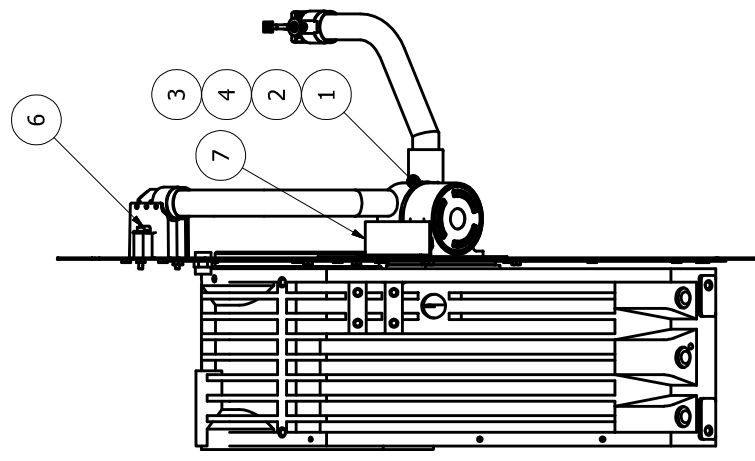
刀具量測-自動馬達量刀臂(無第二主軸+16C/20C)

Item	Part NO.	Description	中文名稱	Specification	Qty	Unit
1.01	NL 000253604A	TOOL PROBE ARM WITH MOTOR(HPMA	刀具量測(TALENT 42/51單主軸)	A-2181-5824	1.00	EA
2.01	NLA001066116A	BRACKET, TOOL PROBE	刀具量測座	L153XW75XH46.8	1.00	EA
3.00	MS 0103821NI	SOCKET HEAD CAP SCREW(NICKEL)	六角穴圓頭螺絲(鍍鎳)	M8XP1.25XL35	3.00	EA
4.00	MS 0103631NI	SOCKET HEAD CAP SCREW (NICKEL)	六角穴圓頭螺絲(鍍鎳)	M6XP1.0XL85	2.00	EA
5.00	MW 0113810NI	FLAT WASHER(NICKEL)	平墊圈(鍍鎳)	M8(D8XD16XT2)	3.00	EA
6.00	MW 0183810NI	SPRING WASHER(NICKEL)	彈簧墊圈(鍍鎳)	M8(HEAT TREATMENT)	3.00	EA
7.00	NL 000399028A	COVER, BRACKET	刀具量測座	HT060DN3	1.00	EA
8.00	MS 0103515NI	SOCKET HEAD CAP SCREW(NICKEL)	六角穴圓頭螺絲(鍍鎳)	M5XP0.8XL10	4.00	EA
9.00	MW 0183610NI	SPRING WASHER (NICKEL)	彈簧墊圈(鍍鎳)	M6(HEAT TREATMENT)	2.00	EA
10.00	MW 0123610NI	FLAT WASHER(NICKEL)	平墊圈(鍍鎳)	M6(D6XD19XT2)	2.00	EA
11.00	NLA000299035A	COVER	中隔板_下蓋板B	HT060DC6	1.00	ST

PARTS LIST				
ITEM	PART NUMBER	QTY	DESCRIPTION	TIGHTENING TORQUE (N·m)
1	NL 000253604A	1	刀具量测(TALENT 42/51單主軸), A-2181-5824	
2	MS 0103821NI	3	六角六圓頭螺絲(鍍銀), M8XP12.5XL35	35
3	MW 0113810NI	3	平墊圈(鍍銀), M8	
4	MW 0183810NI	3	彈簧墊圈(鍍銀), M8	
5	NLA001066118A	1	刀具量測座(筒夾用)	
6	MS 0103625NI	2	六角六圓頭螺絲(鍍銀), M6XP1XL55	
7	NL 000399033A	1	刀具量測防屑護蓋	
8	NLA000299035A	1	中隔板_下蓋鉸B	



SECTION A-A
SCALE 1/8



Stylus adjustment
 1. Coarse adjustment:
 Loose coarse adjusting screw.
 Set stylus approximately parallel with X-Z Axes.
 Approximately within 2°(0.7mm)
 Tighten screw to 0.65Nm.
 2. Fine adjustment:
 Set stylus parallel with X-Z Axes.
 Must be within 5 micro.
 Fasten two set screws to 2Nm.

MODEL: TALENT 42	
PART NUMBER:	NL 000253609A
刀具量测-自動-套筒夾頭 TOOL PROBE, AUTO	PAGE 1 OF 1
DATE 2016/05	REV. A
SCALE: 1 : 10	

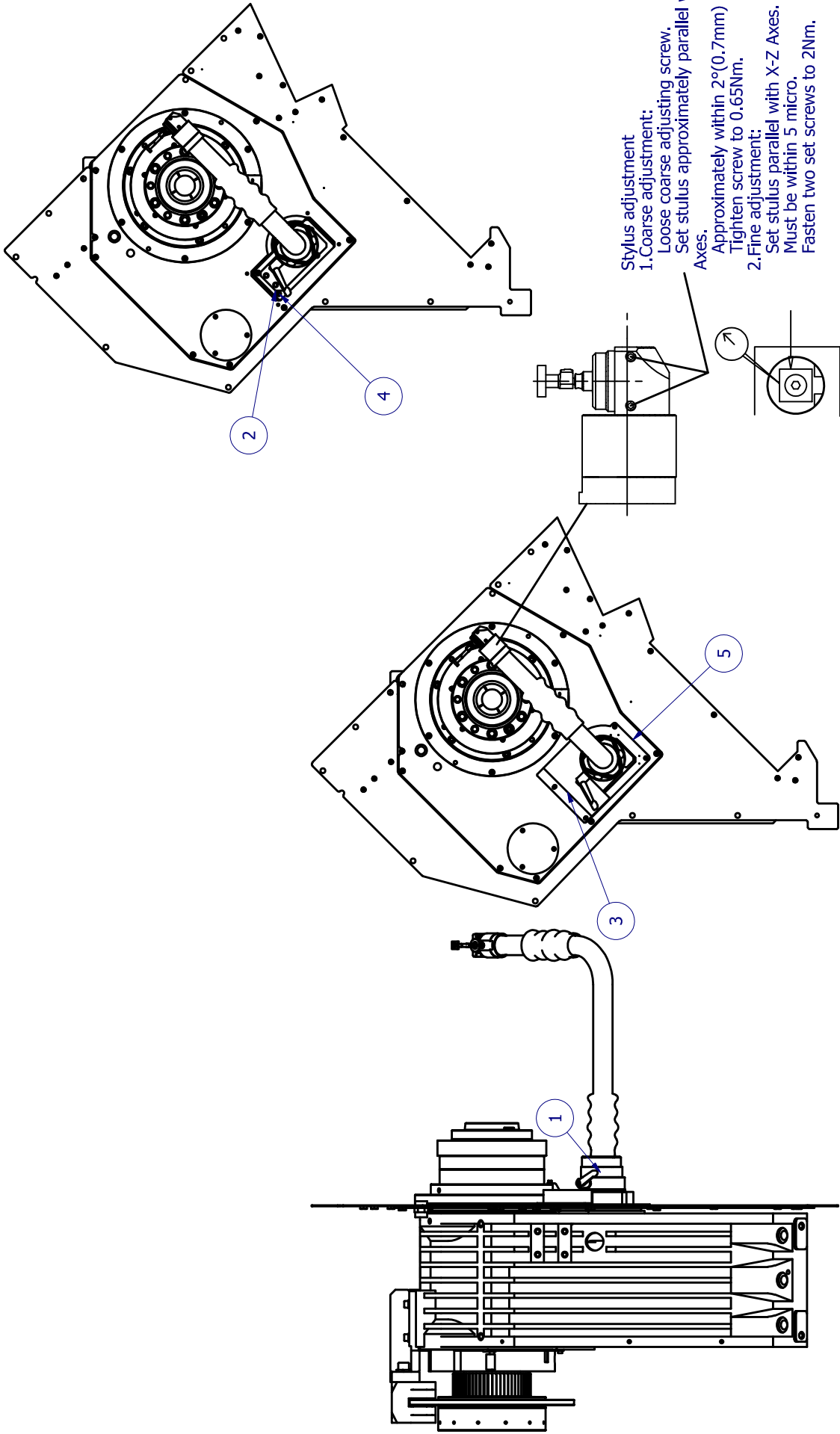
PRODUCT BOM MASTER AND SUB-ITEMS LIST

Master Item Part NO.: NL 000253609A

Description: TOOL PROBE-HPMA,W/O SUB SPINDL
刀具量測-自動馬達量刀臂(無第二主軸+6"/8")

Item	Part NO.	Description	中文名稱	Specification	Qty	Unit
1.00	NL 000253604A	TOOL PROBE ARM WITH MOTOR(HPMA	刀具量測(TALENT 42/51單主軸)	A-2181-5824	1.00	EA
2.00	MS 0103821NI	SOCKET HEAD CAP SCREW(NICKEL)	六角六圓頭螺絲(鍍鎳)	M8XP1.25XL35	3.00	EA
3.00	MW 0113810NI	FLAT WASHER(NICKEL)	平墊圈(鍍鎳)	M8(D8XD16XT2)	3.00	EA
4.00	MW 0183810NI	SPRING WASHER(NICKEL)	彈簧墊圈(鍍鎳)	M8(HEAT TREATMENT)	3.00	EA
5.01	NLA001066118A	BRACKET, TOOL PROBE	刀具量測座(三爪夾頭用)	L153XW75XH9	1.00	EA
6.00	MS 0103625NI	SOCKET HEAD CAP SCREW(NICKEL)	六角六圓頭螺絲(鍍鎳)	M6XP1.0XL55	2.00	EA
7.00	NL 000399033A	COVER	刀具量測蓋板	HT060DN4	1.00	EA
8.00	NLA000299035A	COVER	中隔板_下蓋板B	HT060DC6	1.00	ST

次序	設計變更紀錄	日期	ECN.
A	新繪	2016/06/05	--
B	配合CIM變更	2017/10/25	1004466



MODEL: TALENT 42/51

PART NAME

TOOL PROBE-HPRA,W/O SUB SPINDLE

刀具量測-手動拆卸量刀臂(無第二主軸)

DATE 2016/10/13

SCALE 1:10

REV. 1

PART NUMBER

NL 000253614A

Rev. 1 of 1

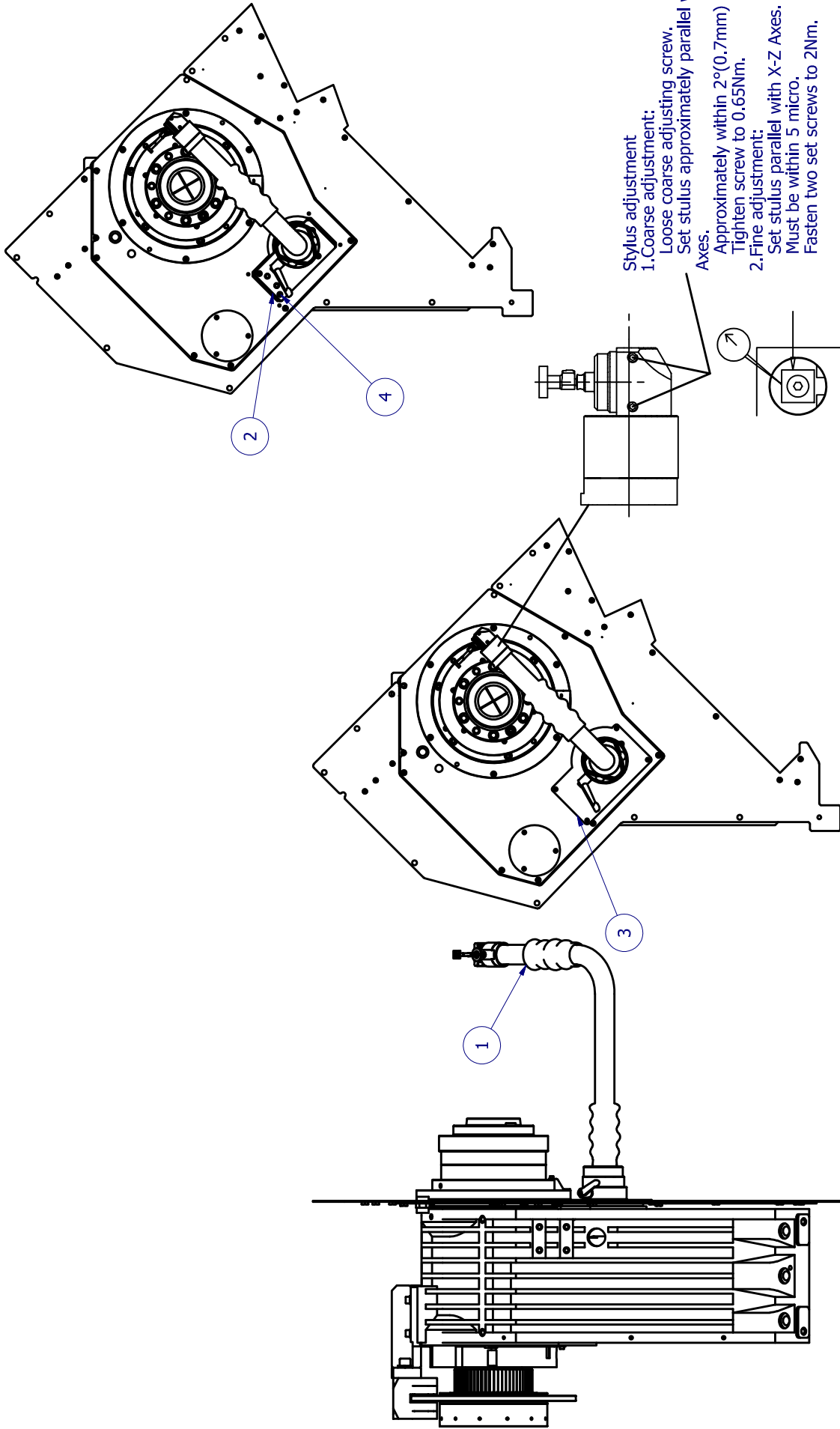
REV. B

PRODUCT BOM MASTER AND SUB-ITEMS LIST

Master Item Part NO.: NL 000253614A

Description: TOOL PROBE-HPMA,W/ SUB SPINDLE
刀具量測-可拆式量刀臂(有第二主軸+16C/20C)

Item Part NO.	Description	中文名稱	Specification	Qty	Unit
1.00 NL 000253612A	TOOL PROBE ARM W/O MOTOR(HPRA	刀具量測(TALENT 42/51雙主軸)	A-2176-7504(HPRA)	1.00	EA
2.02 NLC001066116A	BRACKET, TOOL PROBE	刀具量測座	L153XW75XH36.8	1.00	EA
3.01 NLA000599006A	COVER	刀具量測蓋板	TEMP	1.00	EA
4.00 MS 0103516	SOCKET HEAD CAP SCREW	六角穴圓頭螺絲	M5XP0.8XL12	4.00	EA
5.00 NLA000299035A	COVER	中隔板_下蓋板B	HT060DC6	1.00	ST



MODEL: TALENT 42/51

PART NAME

TOOL PROBE-HPRA,W/O SUB SPINDLE

刀具量測-手動拆卸量刀臂(無第二主軸)

DATE 2016/10/13

SCALE 1:10

REV. A

PART NUMBER

NL 000253616A

PAGE 8

1 OF 1

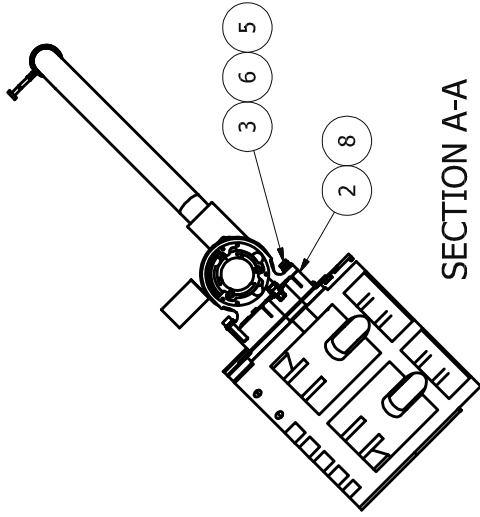
A

PRODUCT BOM MASTER AND SUB-ITEMS LIST

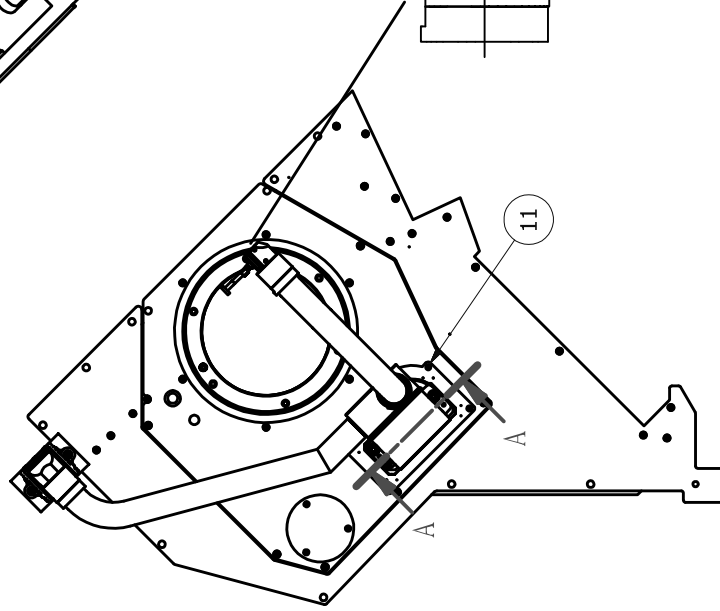
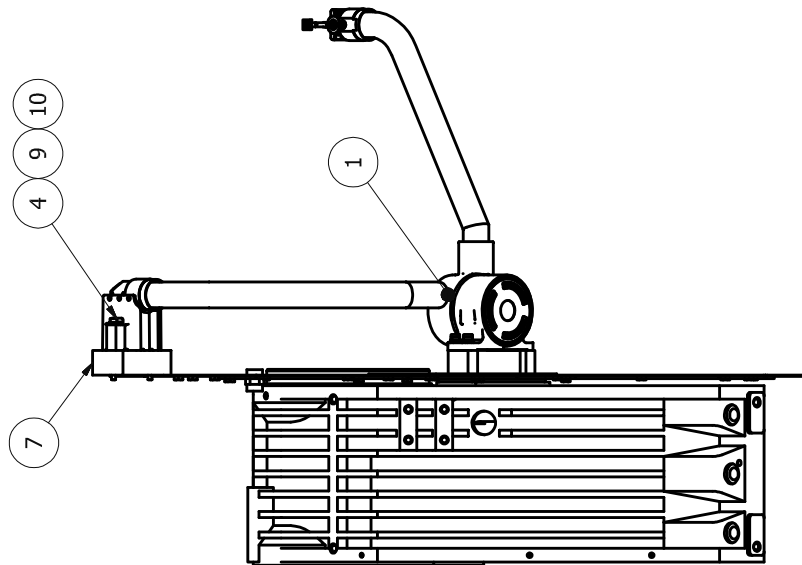
Master Item Part NO.: NL 000253616A

Description: TOOL PROBE-HPMA,W/ SUB SPINDLE
刀具量測-可拆式量刀臂(有第二主軸+6"8")

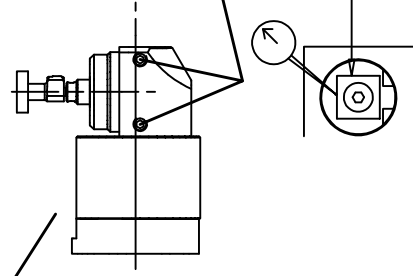
Item Part NO.	Description	中文名稱	Specification	Qty	Unit
1.00 NL 000253612A	TOOL PROBE ARM W/O MOTOR(HPRA)	刀具量測(TALENT 42/51雙主軸)	A-2176-7504(HPRA)	1.00	EA
2.00 NLA001066118A	BRACKET, TOOL PROBE	刀具量測座(三爪夾頭用)	L153XW75XH9	1.00	EA
3.00 NL 000399083A	PLATE	刀具量測蓋板	TEMP	1.00	EA
4.00 MS 0103516NI	SOCKET HEAD CAP SCREW (NICKEL)	六角六圓頭螺絲(鍍鎳)	M5XP0.8XL12	4.00	EA



SECTION A-A
SCALE 1/8



Stylus adjustment
 1. Coarse adjustment:
 Loose coarse adjusting screw.
 Set stylus approximately parallel with X-Z
 Axes.
 Approximately within 2°(0.7mm)
 Tighten screw to 0.65Nm.
 2. Fine adjustment:
 Set stylus parallel with X-Z Axes.
 Must be within 5 micro.
 Fasten two set screws to 2Nm.



MODEL: TALENT 42/51 B

PART NUMBER:

刀具量測-自動馬達量刀臂(有第二主軸)
 #16C/20C-HPMA,W/ SUB SPINDLE(16C/20C)

PART NUMBER
 NL 000253608A

PAGE 1 OF 1

DATE 2016/6/5

SCALE 1 : 10

REV. A

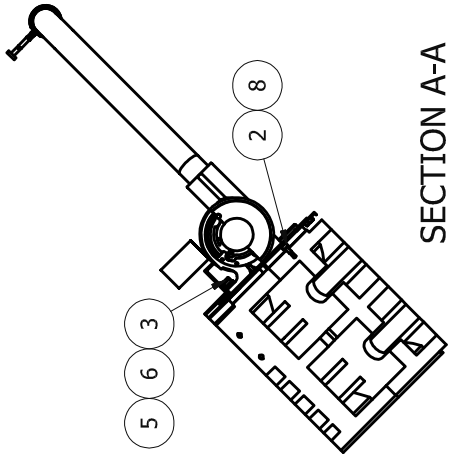
PRODUCT BOM MASTER AND SUB-ITEMS LIST

Master Item Part NO.: NL 000253608A

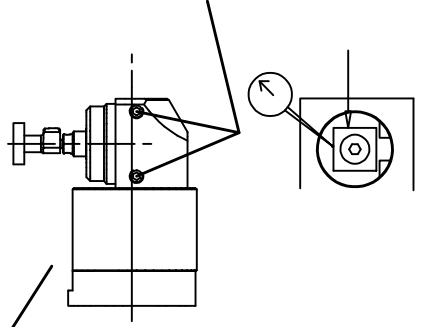
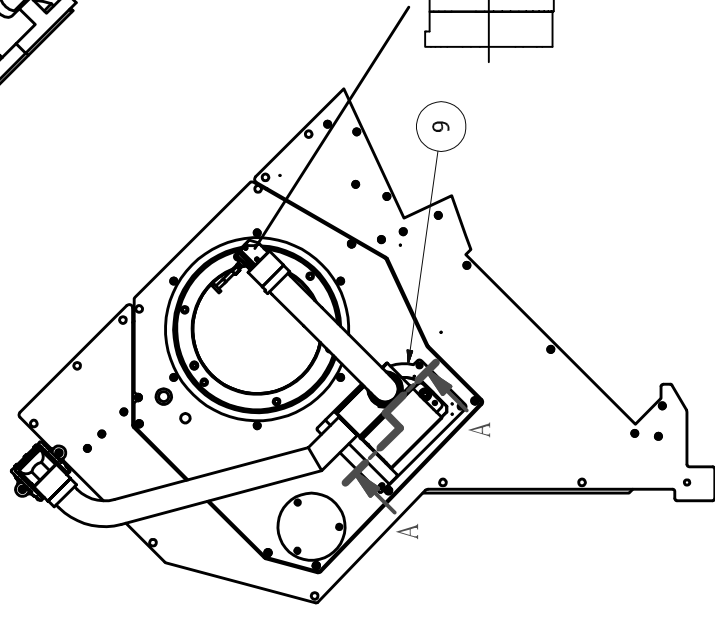
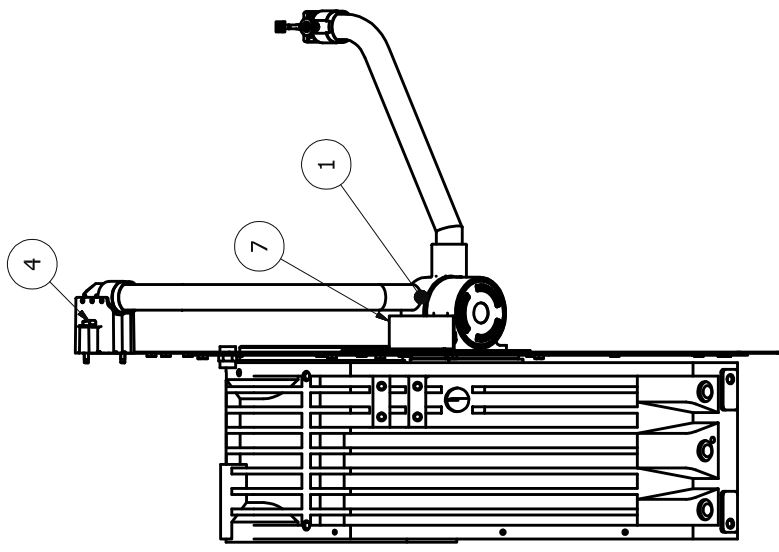
Description: TOOL PROBE-HPMA,W/ SUB SPINDLE

刀具量測-自動馬達量刀臂(有第二主軸+16C/20C)

Item	Part NO.	Description	中文名稱	Specification	Qty	Unit
1.01	NL 000253601A	TOOL PROBE ARM WITH MOTOR(HPMA	刀具量測(TALENT 42/51雙主軸)	A-2181-5821	1.00	EA
2.03	NLA001066116A	BRACKET, TOOL PROBE	刀具量測座	L153XW75XH46.8	1.00	EA
3.00	MS 0103821NI	SOCKET HEAD CAP SCREW(NICKEL)	六角穴圓頭螺絲(鍍鎳)	M8XP1.25XL35	3.00	EA
4.02	MS 0103633NI	SOCKET HEAD CAP SCREW(NICKEL)	六角穴圓頭螺絲(鍍鎳)	M6XP1.0XL95	2.00	EA
5.00	MW 0113810NI	FLAT WASHER(NICKEL)	平墊圈(鍍鎳)	M8(D8XD16XT2)	3.00	EA
6.00	MW 0183810NI	SPRING WASHER(NICKEL)	彈簧墊圈(鍍鎳)	M8(HEAT TREATMENT)	3.00	EA
7.00	NL 000399028A	COVER, BRACKET	刀具量測座	HT060DN3	1.00	EA
8.00	MS 0103515NI	SOCKET HEAD CAP SCREW(NICKEL)	六角穴圓頭螺絲(鍍鎳)	M5XP0.8XL10	4.00	EA
9.00	MW 0183610NI	SPRING WASHER (NICKEL)	彈簧墊圈(鍍鎳)	M6(HEAT TREATMENT)	2.00	EA
10.00	MW 0113615NI	FLAT WASHER(NICKEL)	平墊圈(鍍鎳)	M6(D6XD16XT2)	2.00	EA
11.00	NLA000299035A	COVER	中隔板_下蓋板B	HT060DC6	1.00	ST



SECTION A-A
SCALE 1/8



Stylus adjustment
 1. Coarse adjustment:
 Loose coarse adjusting screw.
 Set stylus approximately parallel with X-Z Axes.
 Approximately within 2° (0.7mm)
 Tighten screw to 0.65Nm.
 2. Fine adjustment:
 Set stylus parallel with X-Z Axes.
 Must be within 5 micro.
 Fasten two set screws to 2Nm.

MODEL: TALENT 42

PART NUMBER:
 刀具量測-自動-三爪夾頭
 TOOL PROBE, AUTO

PART NUMBER
 NL 000253610A

PAGE
 1 OF 1

SCALE
 1 : 10

DATE
 2016/05

REV.
 A

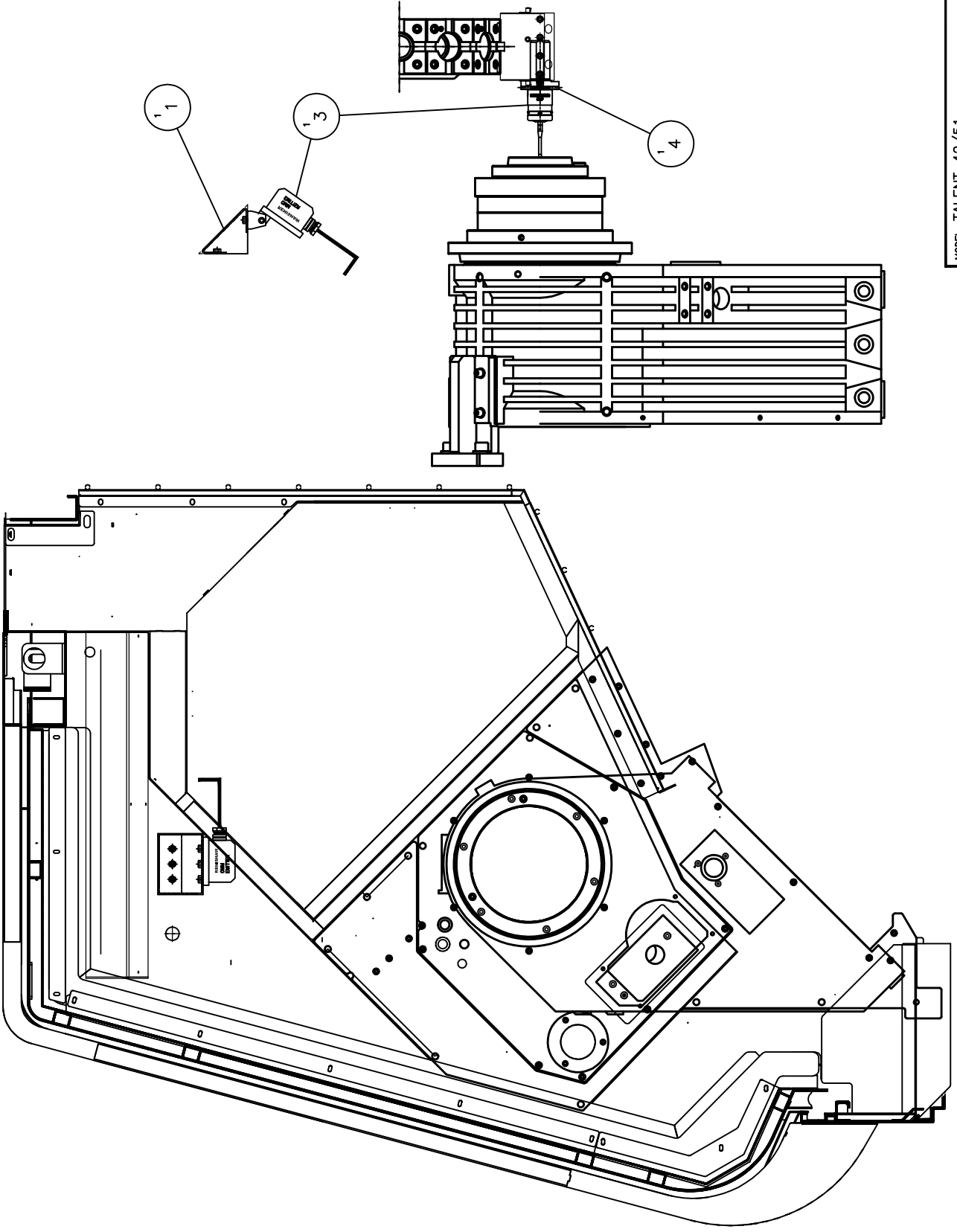
PRODUCT BOM MASTER AND SUB-ITEMS LIST

Master Item Part NO.: NL 000253610A

Description: TOOL PROBE-HPMA,W/ SUB SPINDLE
刀具量測-自動馬達量刀臂(有第二主軸+6"8")

Item	Part NO.	Description	中文名稱	Specification	Qty	Unit
1.00	NL 000253601A	TOOL PROBE ARM WITH MOTOR(HPMA	刀具量測(TALENT 42/51雙主軸)	A-2181-5821	1.00	EA
2.01	NLA001066118A	BRACKET, TOOL PROBE	刀具量測座(三爪夾頭用)	L153XW75XH9	1.00	EA
3.00	MS 0103821NI	SOCKET HEAD CAP SCREW(NICKEL)	六角穴圓頭螺絲(鍍鎳)	M8XP1.25XL35	3.00	EA
4.00	MS 0103625NI	SOCKET HEAD CAP SCREW(NICKEL)	六角穴圓頭螺絲(鍍鎳)	M6XP1.0XL55	2.00	EA
5.00	MW 0113810NI	FLAT WASHER(NICKEL)	平墊圈(鍍鎳)	M8(D8XD16XT2)	3.00	EA
6.00	MW 0183810NI	SPRING WASHER(NICKEL)	彈簧墊圈(鍍鎳)	M8(HEAT TREATMENT)	3.00	EA
7.00	MS 0303515NI	BUTTON HD. SOCKET(NICKEL)	六角穴半圓頭螺絲(鍍鎳)	M5XP0.8XL10	4.00	EA
8.00	NL 000399033A	COVER	刀具量測蓋板	HT060DN4	1.00	EA
9.01	NLA000299035A	COVER	中隔板_下蓋板B	HT060DC6	1.00	ST

REV	DESCRIPTION	DATE	ECN
A	新編圖	2017/3/20	---



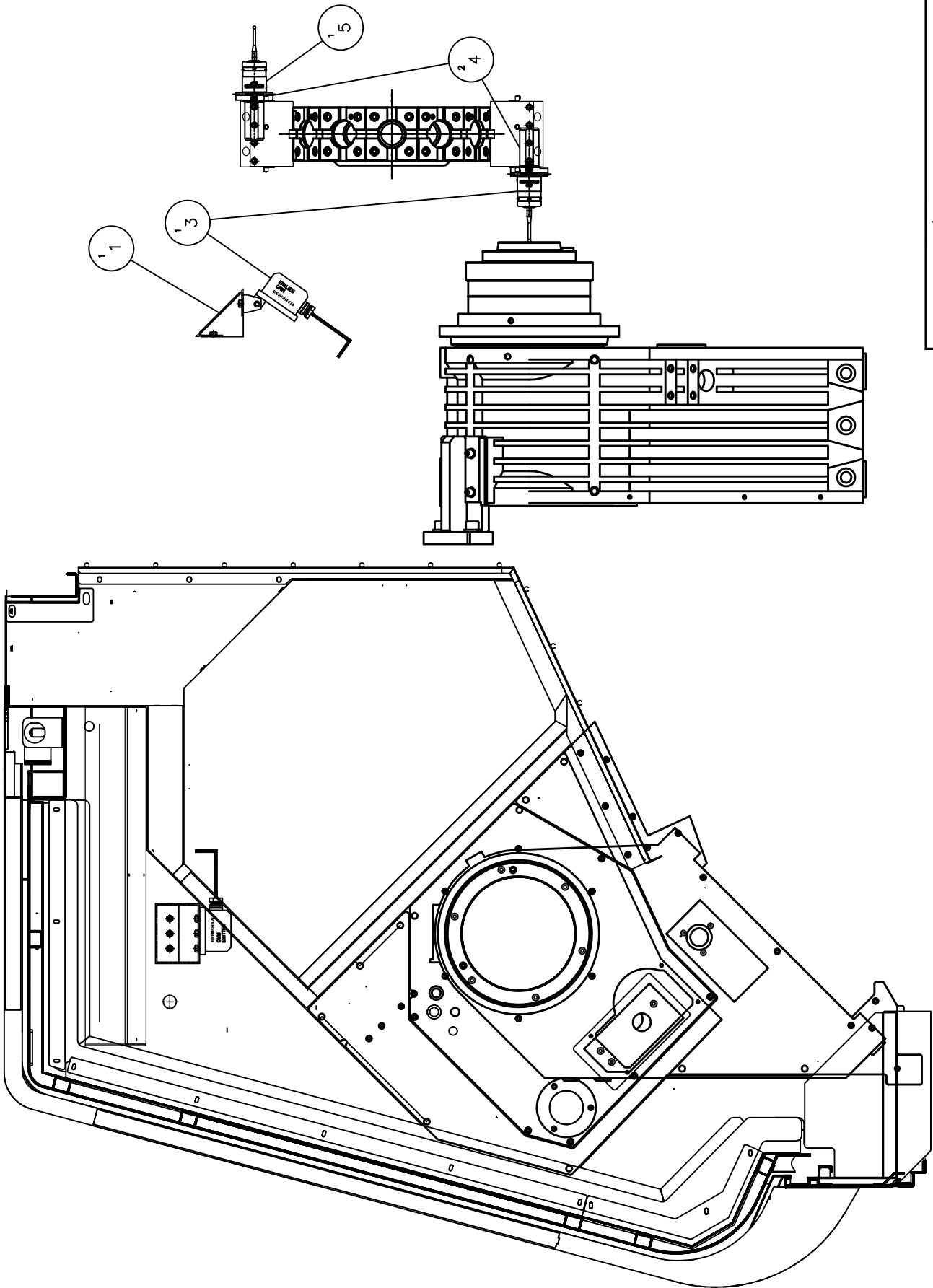
MODEL: TALENT 42/51	PART NUMBER	NL 000253617A
PART NAME	PART PROBE	工件量測
DATE	2017/3/20	SCALE 1:9
		REV. A
		PAGE 1 OF 1

PRODUCT BOM MASTER AND SUB-ITEMS LIST

Master Item Part NO.: NL 000253617A
Description: PART PROBE
工件量測(1組測頭)

Item	Part NO.	Description	中文名稱	Specification	Qty	Unit
1.00	BL 000599064A	BRACKET, PART PROBE	工件量測支撐架	L80XW80XH100	1.00	ST
2.00	NL 00028340400	RENISHAW TALENT PART PROBE	TALENT 42/51 工件量測(接收器+測頭)	RLP40/RMI-Q/OMM支架(FANUC)	1.00	ST
3.00	GS A2030114B8	PROTECT TUBE OF OMP PART PROBE	工件量測保護軟管 (FANUC GS SERIES)	ASSM	1.00	ST
4.00	BLA001066128A	SEAT, PART PROBE	工件量測支撐座	D62XD32XL80	1.00	EA

REV	DESCRIPTION	DATE	ENCL
A	Probe	2017/3/20	---



MODEL: TALENT 42/51

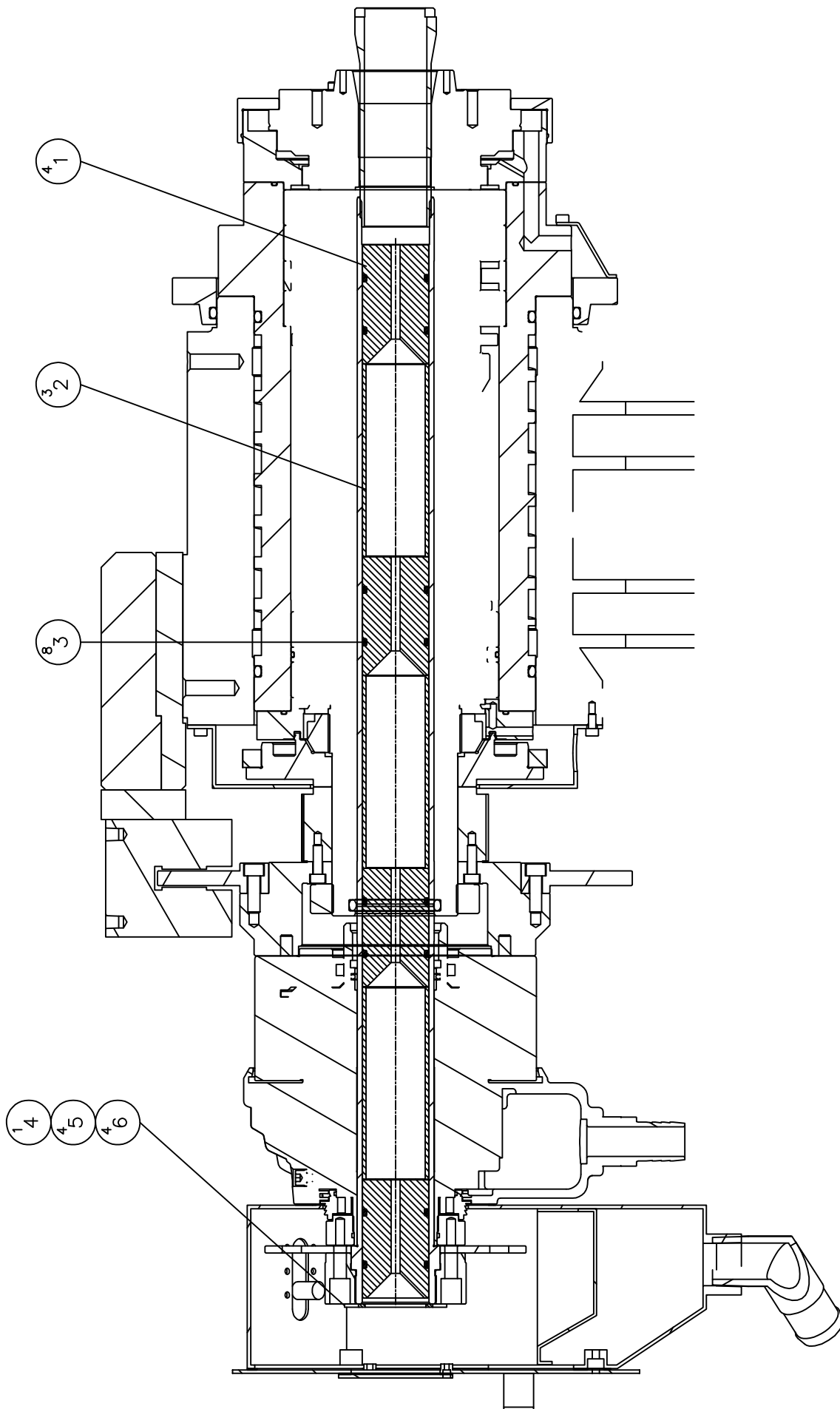
PART NAME	PART NUMBER
PROBE	NL 000253618A
工作探针	PAGE 1 OF 1
DATE 2017/3/20	REV. A
SCALE 1:9	

PRODUCT BOM MASTER AND SUB-ITEMS LIST

Master Item Part NO.: NL 000253618A
Description: PART PROBE
工件量測測頭組

Item	Part NO.	Description	中文名稱	Specification	Qty	Unit
1.00	BL 000599064A	BRACKET, PART PROBE	工件量測支撐架	L80XW80XH100	1.00	ST
2.00	NL 00028340400	RENISHAW TALENT PART PROBE	TALENT 42/51 工件量測(接收器+測頭)	RLP40/RMI-Q/OMM支架(FANUC)	1.00	ST
3.00	GS A2030114B8	PROTECT TUBE OF OMP PART PROBE	工件量測保護軟管 (FANUC GS SERIES)	ASSM	1.00	ST
4.00	BLA001066128A	SEAT, PART PROBE	工件量測支撐座	D62XD32XL80	2.00	EA
5.00	NL 00028340401	RENISHAW TALENT PART PROBE	TALENT 42/51 工件量測測頭	RLP40	1.00	ST

REV	DESCRIPTION	DATE	EDR.
A	新設計	2016/09/06	



MODEL: TALENT 42	PART NUMBER	NL_0012017642K
PART NAME	SPINDLE LINER	
TALENT 42工件襯套	PAGE	1 OF 1
DATE 2016/09/06	SCALE	1:4
	REV.	A

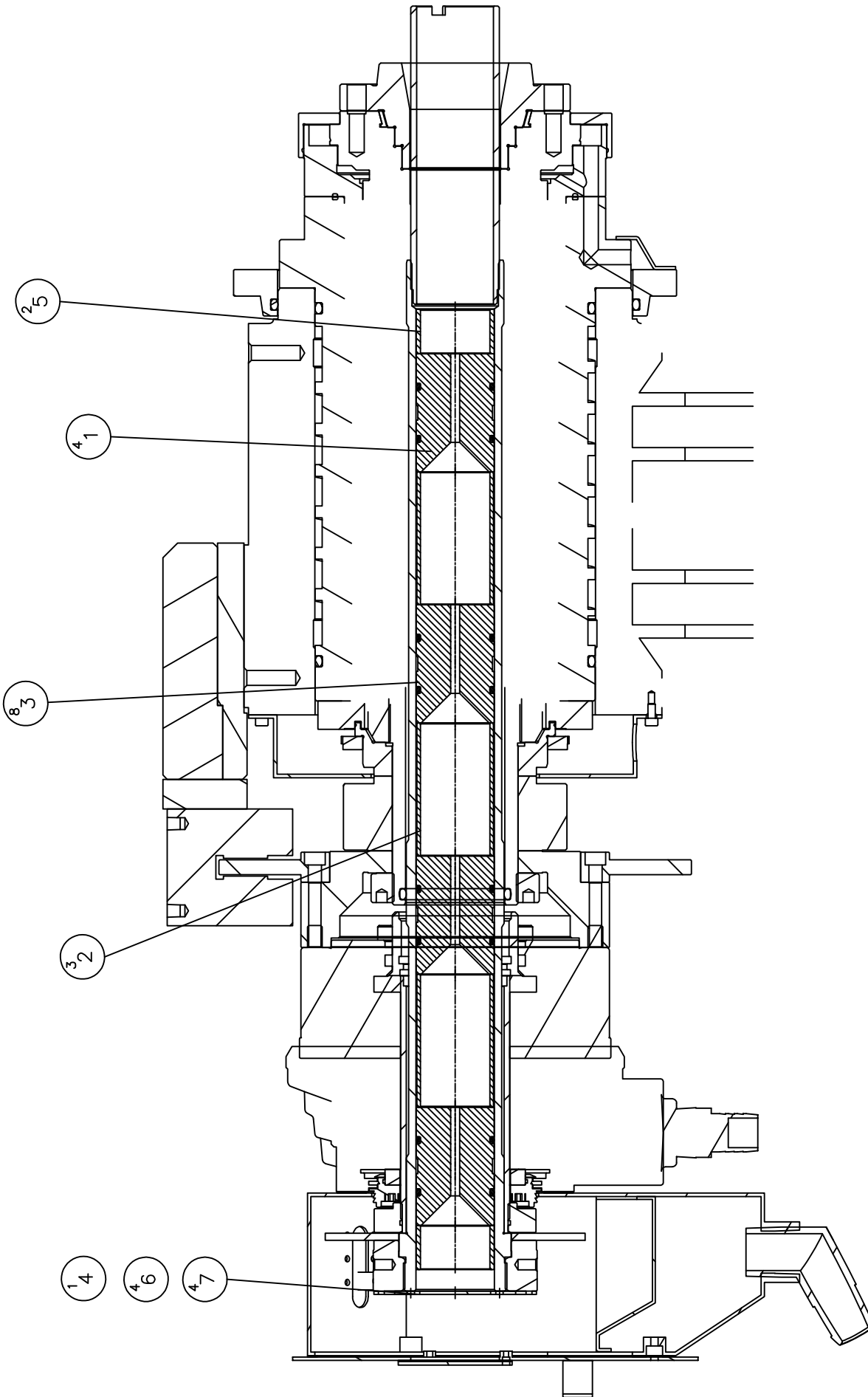
PRODUCT BOM MASTER AND SUB-ITEMS LIST

Master Item Part NO.: NL 0012017642K

Description: SPINDLE LINER, 16C SPINDLE
工件襯套16C 主軸

Item	Part NO.	Description	中文名稱	Specification	Qty	Unit
1.00	BL 000048100A	BUSHING, SPINDLE LINER	工件襯套	D44.7XD6XL80	4.00	EA
2.01	NL 000179901B	SPACER, SPINDLE LINER	間隔圈襯套	D51.7XD47XL42	3.00	EA
3.00	NV 00094310123	O-RING	O型油環	P39	8.00	EA
4.00	BLA001011621A	COVER, SPINDLE LINER	襯套固定蓋(GS 42)	D94XD41XH2.3	1.00	EA
5.00	MS 0103415	SOCKET HEAD CAP SCREW	六角穴圓頭螺絲	M4XP0.7XL10	4.00	EA
6.00	MW 0183410	SPRING WASHER	彈簧墊圈	M4(HEAT TREATMENT)	4.00	EA

REV.	DESCRIPTION	DATE	ENCL.
A	零件承認	2016/9/6	1004187



MODEL: TALENT 51

PART NAME

Spindle Liner,20C CFS SPINDLE
工件襯套20C CFS主軸

PART NUMBER

NL 0012017851K

PAGE 1 OF 1

REV. A

SCALE 1:5

DATE 2016/9/6

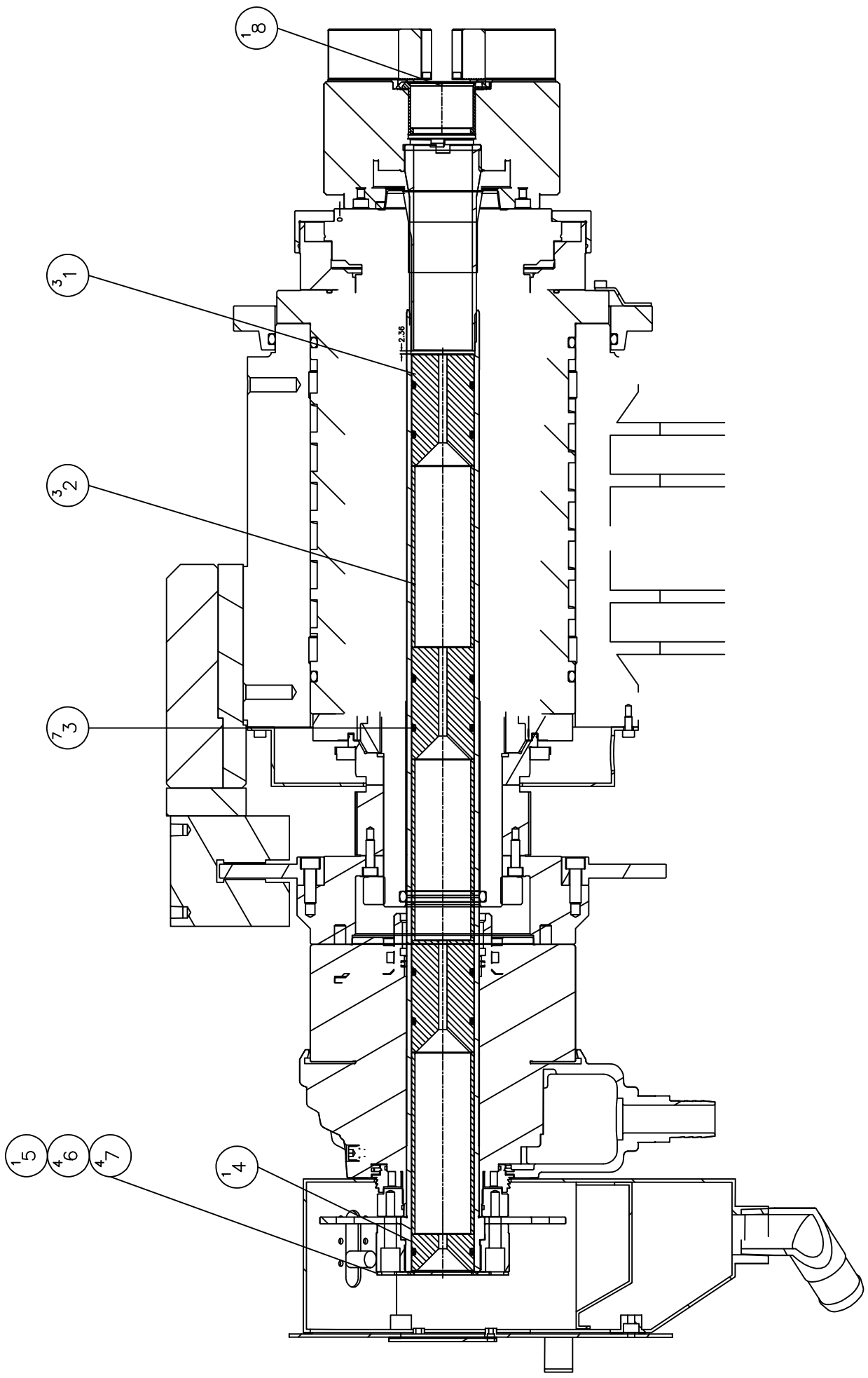
PRODUCT BOM MASTER AND SUB-ITEMS LIST

Master Item Part NO.: NL 0012017851K

Description: SPINDLE LINER,20C CFS SPINDLE
工件襯套20C CFS主軸

Item	Part NO.	Description	中文名稱	Specification	Qty	Unit
1.00	BL 000048101B	BUSHING, SPINDLE LINER	工件襯套(GS 51)	D52.7XD6XL80	4.00	EA
2.00	BL 000179912B	SPACER, SPINDLE LINER	間隔圈襯套	D52.7XD47XL90	3.00	EA
3.00	BL 00094310105	O-RING	O型油環	[JIS]P46	8.00	EA
4.00	BLA001011621B	COVER, SPINDLE LINER	襯套固定蓋(GS 51)	D110XD48XH2.3	1.00	EA
5.00	BL 000179913B	SPACER, SPINDLE LINER	間隔圈襯套(GS 51)	D52.7XD47XL30	2.00	EA
6.00	MS 0103415	SOCKET HEAD CAP SCREW	六角六圓頭螺絲	M4XP0.7XL10	4.00	EA
7.00	MW 0183410	SPRING WASHER	彈簧墊圈	M4(HEAT TREATMENT)	4.00	EA

REV	DESCRIPTION	DATE	EONL
A	PRINTED	2016/09/06	



MODEL: TALENT 42	PART NUMBER
PART NAME	NL 0012017641K
SPINDLE LINER, 6" 3 JAW CHUCK S	PAGE 1 OF 1
工件襯套G, 三爪夾頭主軸	REV: A
DATE 2016/09/06	SCALE 1:4

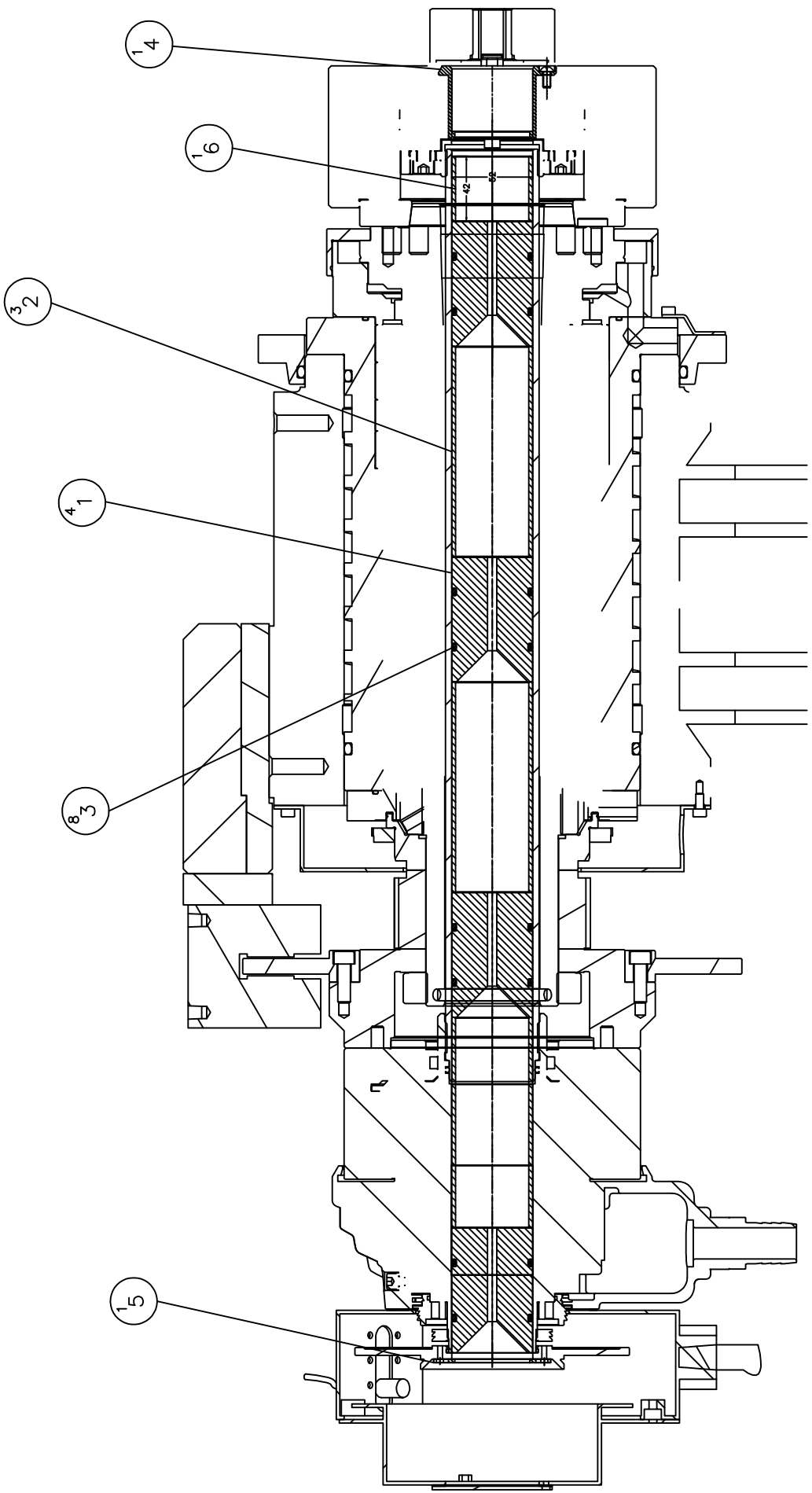
PRODUCT BOM MASTER AND SUB-ITEMS LIST

Master Item Part NO.: NL 0012017641K

Description: SPINDLE LINER,6" 3 JAW CHUCK S
工件襯套6"三爪夾頭主軸

Item	Part NO.	Description	中文名稱	Specification	Qty	Unit
1.00	BL 000048100A	BUSHING, SPINDLE LINER	工件襯套	D44.7XD6XL80	3.00	EA
2.01	NL 000179901B	SPACER, SPINDLE LINER	間隔圈襯套	D51.7XD47XL42	3.00	EA
3.00	NV 00094310123	O-RING	O型油環	P39	7.00	EA
4.00	BL 000048102A	BUSHING, SPINDLE LINER	工件襯套	D44.7XD6XL27	1.00	EA
5.00	BLA001011621A	COVER, SPINDLE LINER	襯套固定蓋(GS 42)	D94XD41XH2.3	1.00	EA
6.00	MS 0103415	SOCKET HEAD CAP SCREW	六角穴圓頭螺絲	M4XP0.7XL10	4.00	EA
7.00	MW 0183410	SPRING WASHER	彈簧墊圈	M4(HEAT TREATMENT)	4.00	EA
8.00	BL 001011544A	COVER	防塵蓋(工件襯套用)	D70XD45XH38	1.00	EA

REV	DESCRIPTION	DATE	ECN.
A	SPINDLE LINER	2016/9/6	100187



MODEL: TALENT 51	PART NUMBER	SCALE: 1:5
PART NAME	NL 0012017852K	REV. A
SPINDLE LINER, 8" 3 JAW CHUCK S	PAGE 1 OF 1	
工件襯套, 8" 三爪夾頭主軸		
DATE: 2016/9/6		

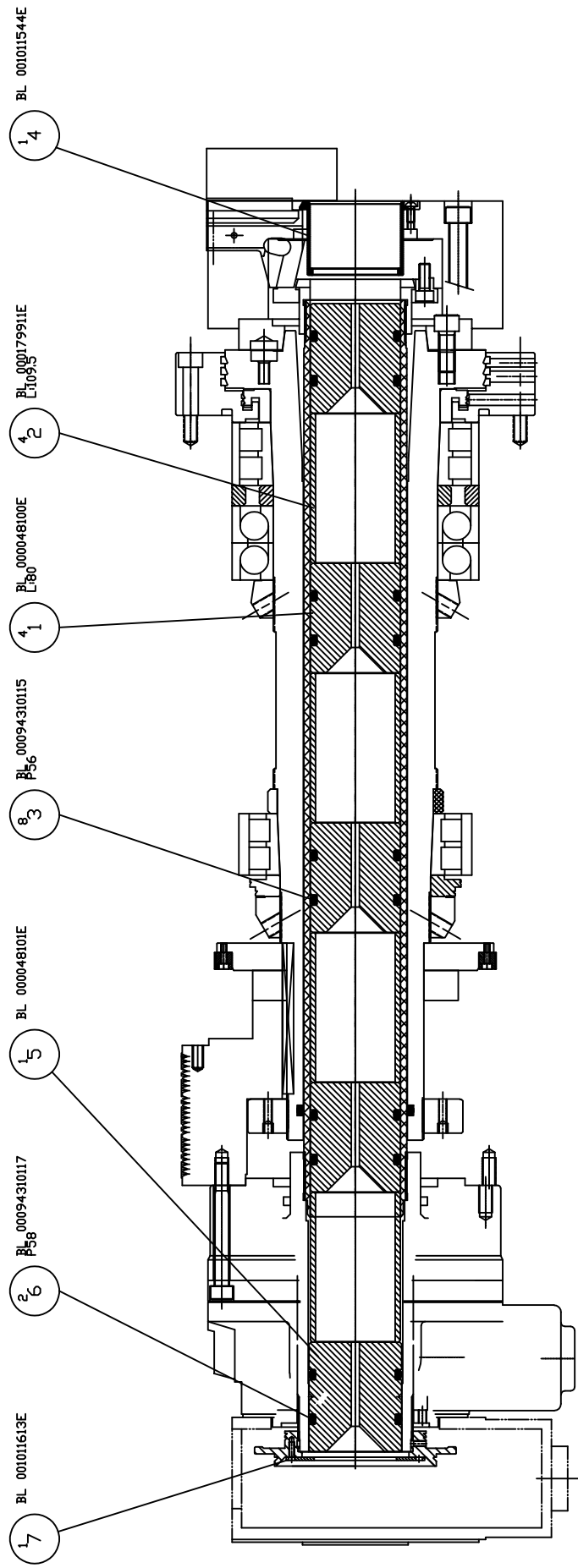
PRODUCT BOM MASTER AND SUB-ITEMS LIST

Master Item Part NO.: NL 0012017852K

Description: SPINDLE LINER,8" 3 JAW CHUCK S
工件襯套8"三爪夾頭主軸

Item	Part NO.	Description	中文名稱	Specification	Qty	Unit
1.00	BL 000048100B	BUSHING, SPINDLE LINER	工件襯套	D51.7XD6XL80	4.00	EA
2.00	BL 000179911B	SPACER, SPINDLE LINER	間隔圈襯套	D51.7XD47XL135	3.00	EA
3.00	BL 00094310105	O-RING	O型油環	[JIS]P46	8.00	EA
4.00	BL 001011544B	COVER	防塵蓋(工件襯套用)	D82XD52XH47	1.00	EA
5.00	BL 001011613B	COVER, SPINDLE LINER	襯套固定蓋	D75XD48XW2.3	1.00	EA

REV	DESCRIPTION	DATE	ECN
A	新零件	2016/02/24	000408



MODEL: GS/SV 200/66	
PART NAME	PART NUMBER
BOM, SPINDLE LINER	BL_001201766E
工件機蓋	PAGE 1 OF 1
DATE 2016/02/24	REV. A
SEGER	SCALE 1:5
MIN	YEAR

BOM 料號 : BL 001201766E
KIT 料號 : BLA001201766EK

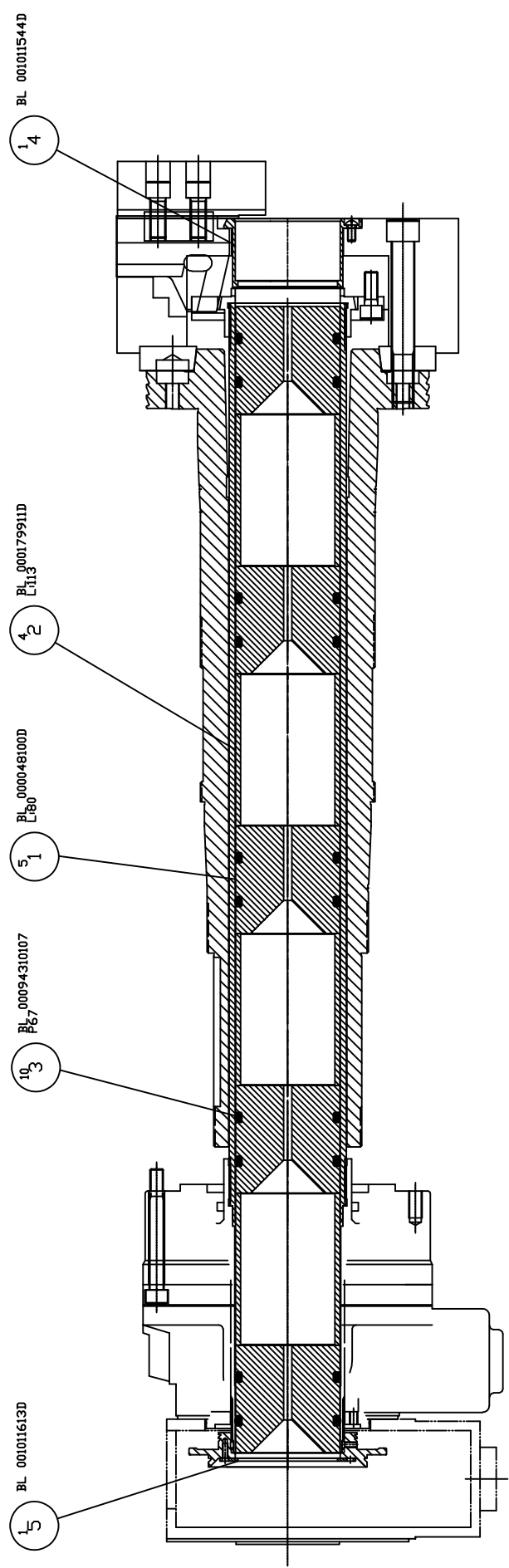
PRODUCT BOM MASTER AND SUB-ITEMS LIST

Master Item Part NO.: BL 001201766E

Description: BOM, SPINDLE LINER
工件襯套

Item Part NO.	Description	中文名稱	Specification	Qty	Unit
1.00	BL 000048100E BUSHING, SPINDLE LINER	工件襯套	D65.7XD6XL80	4.00	EA
2.00	BL 000179911E SPACER, SPINDLE LINER	間隔圈襯套	D65.7XD58XL109.5	4.00	EA
3.00	BL 00094310115 O-RING	O型油環	[JIS] P56	8.00	EA
4.00	BL 001011544E COVER, SPINDLE LINER	防塵蓋(工件襯套用)	D94XD66XH54	1.00	EA
5.00	BL 000048101E BUSHING, SPINDLE LINER	工件襯套	D67.7XD6XL80	1.00	EA
6.00	BL 00094310117 O-RING	O型油環	[JIS] P58	2.00	EA
7.00	BL 001011613E COVER, SPINDLE LINER	襯套固定蓋	D101XD60XW2.3	1.00	ST

REV	DESCRIPTION	DATE	ECN
A	新零件	2016/02/24	000458



MODEL: GS/SV 250	PART NUMBER
PART NAME	BL 001201778D
BOM, SPINDLE LINER	PAGE 1 OF 1
工件襯套	REV. A
DATE 2016/02/24	SCALE 1:5
SSFFGR	YEAR

BOM 料號 : BL 001201778D
KIT 料號 : BLA001201778DK

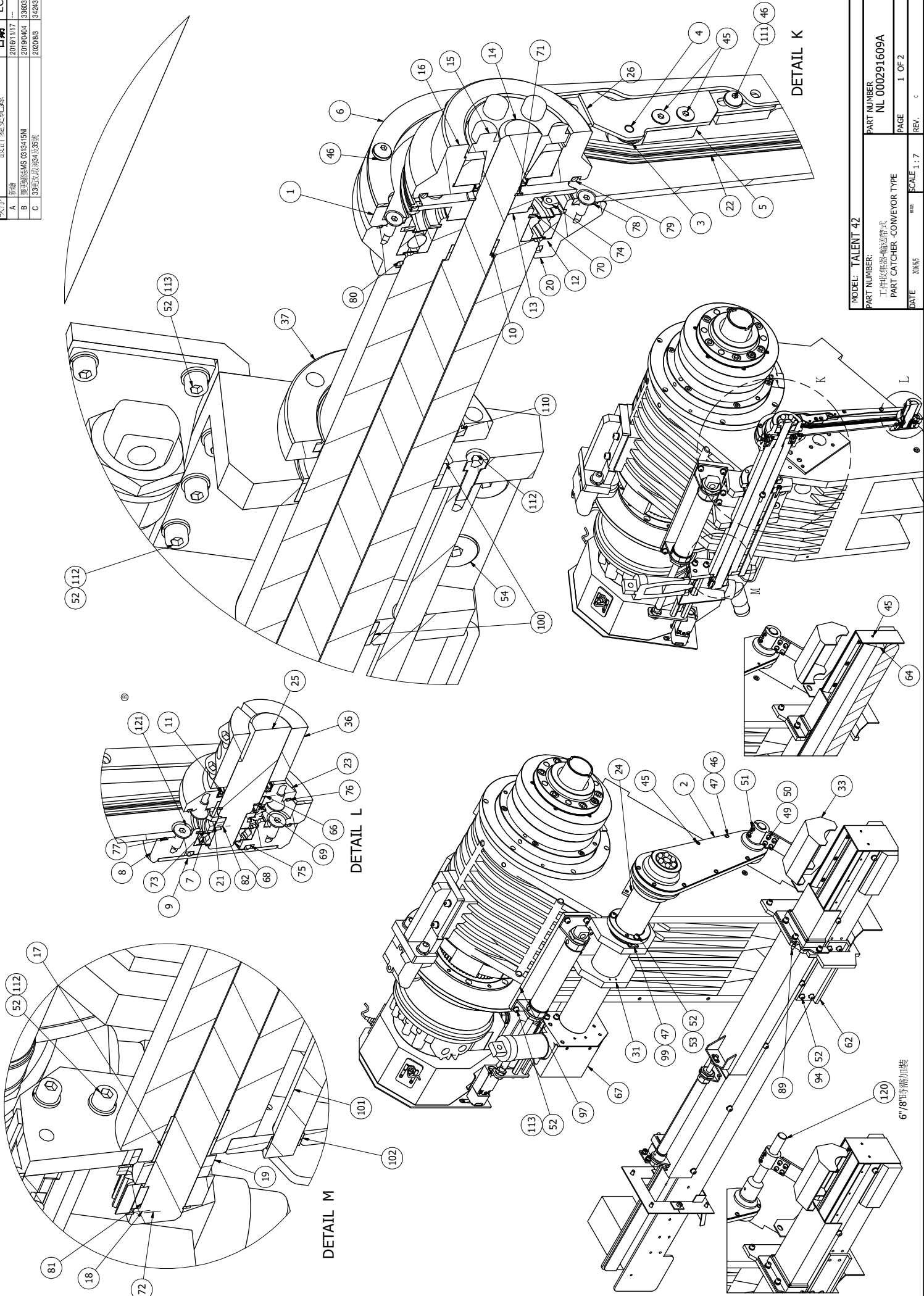
PRODUCT BOM MASTER AND SUB-ITEMS LIST

Master Item Part NO.: BL 001201778D

Description: BOM, SPINDLE LINER
工件襯套

Item Part NO.	Description	中文名稱	Specification	Qty	Unit
1.00 BL 000048100D	BUSHING, SPINDLE LINER	工件襯套	D77.7XD6XL80	5.00	EA
2.00 BL 000179911D	SPACER, SPINDLE LINER	間隔圈襯套	D77.7XD70XL113	4.00	EA
3.00 BL 00094310107	O-RING	O型油環	[JIS]P67	10.00	EA
4.00 BL 001011544D	COVER, SPINDLE LINER	防塵蓋(工件襯套用)	D110XD74XH51	1.00	EA
5.00 BL 001011613D	CAP, SPINDLE LINER	襯套固定蓋	D101XD74XW2.3	1.00	EA

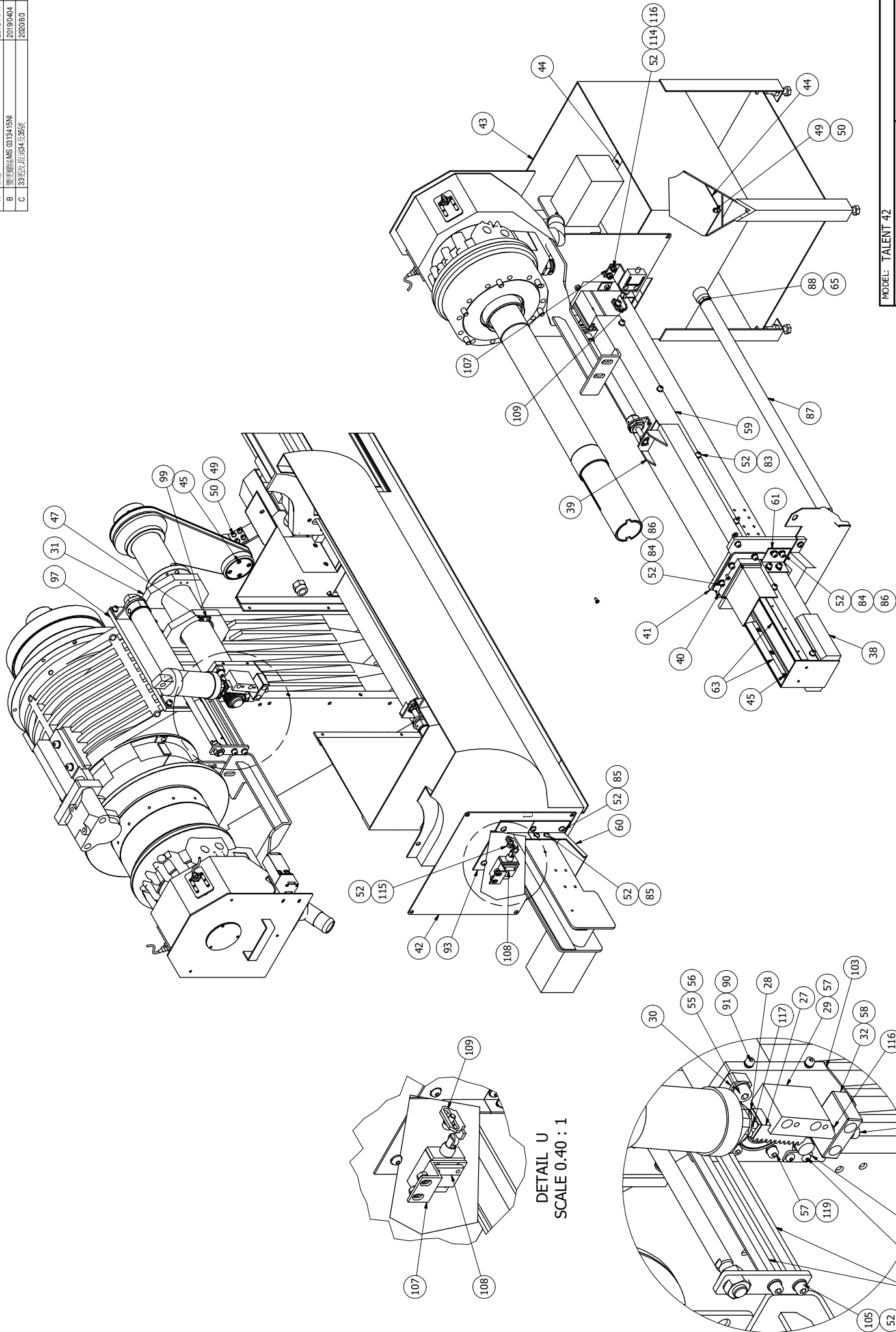
次序	設計變更紀錄	日期	ECN
A	新增	2016/11/17	---
B	修正圖樣MS 031415N1	2019/04/4	35603
C	修正圖樣MS 031415N1	2020/03/3	34243



MODEL: TALENT 42	SCALE: 1:7	REV: 6
PART NUMBER: 工件收集器-輸送帶式 PART CATCHER-CONVEYOR TYPE	PAGE: 1 OF 2	
DATE: 2008/5		

6"/8吋帶加裝

次序	設計變更紀錄	日期	ECN
A	新增	2016/11/17	...
B	變更線路MS 031415NI	2019/04/04	33503
C	33部零件部號及部號	2020/03/03	34243



MODEL: TALENT 42	PART NUMBER: NL 000291609A
PART NUMBER: 工件收集器-輸送帶式	PAGE: 2 OF 2
PART CATCHER-CONVEYOR TYPE	REV: c
DATE: 2020/03/03	SCALE: 1:7

PRODUCT BOM MASTER AND SUB-ITEMS LIST

Master Item Part NO.: NL 000291609A

Description: PART CATCHER -CONVEYOR TYPE
伸縮式工件收集器-輸送帶式

Item Part NO.	Description	中文名稱	Specification	Qty	Unit
1.01	NL 001066134A BOX, CHAIN WHEEL	鏈輪箱	L394.5XW116XH13	1.00	EA
2.01	NLA000299093A COVER	蓋板	TEMP	1.00	EA
3.00	NL 00002660105 BALL BEARING	單列深槽滾珠軸承	696ZZ1MC3E	1.00	EA
4.00	NL 000403802A SHAFT	惰輪轉軸	D6XL9.5	1.00	EA
5.00	NL 000299094A SUPPORT, BEARING	惰輪支架	HT060DG6	1.00	EA
6.01	NL 000805001A RUBBER ,SPLASH GUARD	橡膠墊	L394.5*W116*H2	1.00	EA
7.00	NV 00002660104 BALL BEARING	單列深槽滾珠軸承	6001ZZ	1.00	EA
8.00	NL 001066122A SEAT, BEARING	下軸承座	D68*H17.7	1.00	EA
9.00	NL 000299096A COVER	蓋板	HT060DG8	1.00	EA
10.00	NV 000599018F (DETA)OILLIESS BEARINGS	自潤襯套	2010	1.00	EA
11.00	NL 00101160101 SHAFT SEAL	軸封	[IKO] OS 20264	2.00	EA
12.00	NV 00002660306 DEEP-GROOVED BALL BEARING	深溝滾珠軸承	6009ZZ	1.00	EA
13.00	NL 000317708A SPROCKET	上鏈輪	D80XH12	1.00	EA
14.00	NL 000403807A SHAFT,PART CATCHER	工件收集器旋轉軸	D25XL546	1.00	EA
15.00	NL 001179209A FLANGE	迫緊環	SDS-20	1.00	EA
16.02	NL 001066135A SEAT OF MECHA LOCKS	迫緊環座	D85XH33	1.00	EA
17.00	NV 00120690106 SELF-LUBRICATING BEARING	含油軸承	LFB-2530	1.00	EA
18.00	BL 000620003A GEAR, PARTS CATCHER	收集器旋轉齒輪	M1.5X26T	1.00	EA
19.00	BL 000179907A SPACER, PARTS CATCHER	間隔圈(收集器)	D35X25X14	1.00	EA

PRODUCT BOM MASTER AND SUB-ITEMS LIST

Item	Part NO.	Description	中文名稱	Specification	Qty	Unit
20.00	NL 001066127A	SEAT,BEARING	上軸承座	D58XH38	1.00	EA
21.00	NL 000317709A	SPROCKET	下鏈輪	D28XD12H10	1.00	EA
22.00	NL 00103910103	CHAIN	鏈條	[MISUMI]CHE25-120 含結合鏈節	1.00	EA
23.00	NL 001066137A	COVER	下軸蓋	L125XW48XH28	1.00	EA
24.02	NLA001066145A	SHAFT	固定軸	D65XH451.5	1.00	EA
25.00	NL 001066128A	SHAFT, PART CATCHER	下旋轉軸	D20XL78	1.00	EA
26.00	NL 000299095A	SUPPORT, BEARING	惰輪支撐板	HT060DG7	1.00	EA
27.00	BL 000620004A	GEAR, PARTS CATCHER	收集器排齒	M1.5XL52	1.00	EA
28.00	BL 000299072A	PLATE, CYLINDER	氣壓缸壓板	18*15*3	1.00	EA
29.00	BL 001066121A	SUPPORTER, GEAR	排齒支撐塊	38*20*65	1.00	EA
30.00	BL 001066120A	SUPPORTER, CYLINDER	氣壓缸固定架(手臂式)	68*43.5*20	1.00	EA
31.00	NL 001066147A	FIXING PLATE	工件收集器支撐板	L144XW120XH92.5	1.00	EA
32.00	NL 001066126A	STOPPER	氣壓缸止動塊	L45XW33XH16	1.00	EA
33.01	NL 000699001A	BOX,PARTS CATCHER	工件收集槽-PU包膜	L120XW110XH118.3	1.00	EA
36.00	NL 001066139A	BOX SUPPORT, PARTS CATCHER	工件收集槽支架	L62.9*W36*H35	1.00	EA
37.01	NL 001066146A	BUSHING, PARTS CATCHER	工件收集器軸襯套	D92*D65*H12	1.00	EA
38.03	NLC000207003A	[RIGHT SPRING] L1021	出料搬送機	CONVEYOR, PART CATCHER	1.00	ST
39.00	NLA000299099A	SLIDING COVER	滑動蓋	L497XW84XH174.5	1.00	EA
40.00	NL 000805004A	WIPER,PART CATCHER	刮刷片	L126XW80XH22	1.00	EA
41.00	NL 000399012A	FIX PLATE, CONWAYOR	輸送機前固定板	HT060DJ7	1.00	EA
42.00	NLA000399006A	COVER	導料槽蓋板	TEMP	1.00	EA
43.00	NL 000399010A	PART COLLECTOR	工件收集箱	HT060DJ1	1.00	EA

PRODUCT BOM MASTER AND SUB-ITEMS LIST

Item	Part NO.	Description	中文名稱	Specification	Qty	Unit
44.00	NL 000399014A	FILTER, BASKET	工件收集籃濾網(深灰49Q02F)	HT060DJ9	1.00	EA
45.00	MS 0313414NI	FLAT HD. SOCKET(NICKEL)	六角六平頭螺絲(鍍鎳)	M4XP0.7XL8	31.00	EA
46.00	MW 0183410NI	SPRING WASHER (NICKEL)	彈簧墊圈(鍍鎳)	M4(HEAT TREATMENT)	12.00	EA
47.00	MS 0303415NI	BUTTON HD. SOCKET(NICKEL)	六角六半圓頭螺絲(鍍鎳)	M4XP0.7XL10	15.00	EA
48.00	MS 0303416NI	BUTTON HD. SOCKET(NICKEL)	六角六半圓頭螺絲(鍍鎳)	M4XP0.7XL12	1.00	EA
49.00	MW 0183510NI	SPRING WASHER (NICKEL)	彈簧墊圈(鍍鎳)	M5(HEAT TREATMENT)	12.00	EA
50.00	MS 0103516NI	SOCKET HEAD CAP SCREW (NICKEL)	六角六圓頭螺絲(鍍鎳)	M5XP0.8XL12	8.00	EA
51.00	MS 0103518NI	SOCKET HEAD CAP SCREW (NICKEL)	六角六圓頭螺絲(鍍鎳)	M5XP0.8XL20	2.00	EA
52.00	MW 0183610NI	SPRING WASHER (NICKEL)	彈簧墊圈(鍍鎳)	M6(HEAT TREATMENT)	54.00	EA
53.00	MS 0103618NI	SOCKET HEAD CAP SCREW (NICKEL)	六角六圓頭螺絲(鍍鎳)	M6XP1.0XL20	5.00	EA
54.00	MS 0104018	SOCKET HEAD CAP SCREW	六角六圓頭螺絲	M10XP1.5XL20	4.00	EA
55.00	MW 0183810	SPRING WASHER	彈簧墊圈	M8(HEAT TREATMENT)	2.00	EA
56.00	MS 0103819	SOCKET HEAD CAP SCREW	六角六圓頭螺絲	M8XP1.25XL25	2.00	EA
57.00	MS 0103518	SOCKET HEAD CAP SCREW	六角六圓頭螺絲	M5XP0.8XL20	2.00	EA
58.00	MS 0103619	SOCKET HEAD CAP SCREW	六角六圓頭螺絲	M6XP1.0XL25	2.00	EA
59.00	NLA000399008A	SUPPORT, CYLINDER	氣壓缸座	L993XW111XH179	1.00	EA
60.00	NL 000399005A	GUIDE GROOVE	輸送機後支撐架	HT060DJ4	1.00	EA
61.00	NL 000399013A	PLATE,PART CATCHER	工件收集器支撐座	HT060DJ8	1.00	EA
62.01	NL 000599022A	SUPPORT BRACKET	支撐板	L175XW51XH16	1.00	EA
63.00	NL 000805007A	CRASHPOOF PLATE,PART CATCHER	側防撞板	L177XW25XH7	2.00	EA
64.00	BL 000805022A	CRASHPOOF,PART CATCHER	工件收集器防撞板	L58XW57XH15	1.00	EA
65.00	NV 000696604	CLAMP	不鏽鋼管夾	3/4"	1.00	EA

PRODUCT BOM MASTER AND SUB-ITEMS LIST

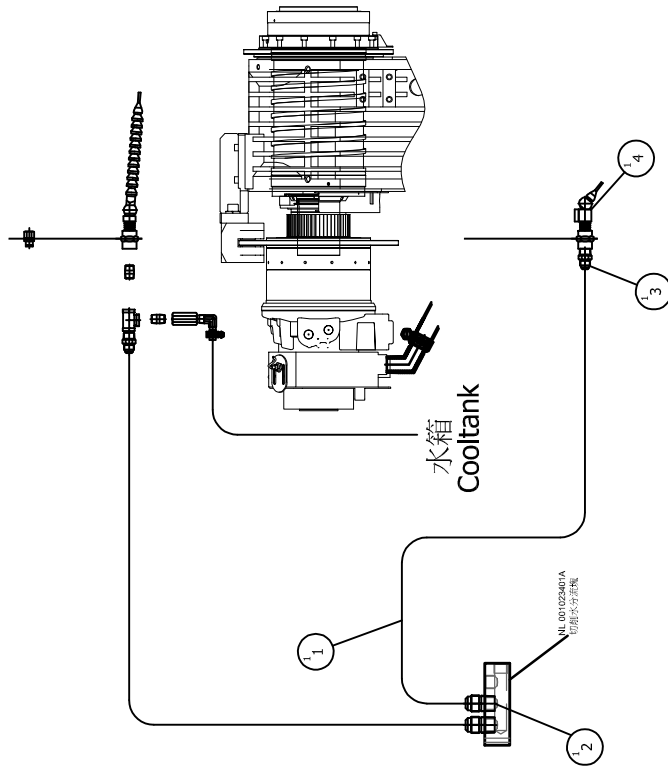
Item	Part NO.	Description	中文名稱	Specification	Qty	Unit
66.00	NL 00120690101	BUSHING, OILES	自潤軸承	D23*D20*L4	1.00	EA
67.00	NL 000599030A	COVER, GEAR	齒輪護蓋	TEMP	1.00	EA
68.00	NV 00082310201	RING, C-RETAINING	C型外扣	S-12	1.00	EA
69.00	NL 00082310103	RING, C-RETAINING	C型外扣環	S-16	1.00	EA
70.00	BL 00082310208	RING, C-RETAINING	C型外扣環	S-45	1.00	EA
71.00	BL 00082310206	RING, C-RETAINING	C型外扣環	S-20	1.00	EA
72.00	BL 00082310207	RING, C-RETAINING	C型外扣環	S-25	1.00	EA
73.00	NV 00082310101	RING, C-RETAINING	C型內扣	R-28	1.00	EA
74.00	NL 00082310102	RING, C-RETAINING	C型內扣環	R-75	1.00	EA
75.00	NV 00094310505	O-RING	O型油環	G-25	1.00	EA
76.00	NL 00094310101	O-RING	O型環	AS031	1.00	EA
77.00	NL 00094310108	O-RING	O型環	AS035	1.00	EA
78.00	NL 00094310103	O-RING	O型環	AS045	1.00	EA
79.00	NV 00094310223	O-RING	O型油環	(DETA)G70	1.00	EA
80.00	NV 00094310227	O-RING	O型油環	[JIS] G65	1.00	EA
81.00	BL 00061150104	SUNK KEY	(雙圓頭鍵)平行鍵	W4*H4*L14	1.00	EA
82.00	NL 00061150104	SUNK KEY	(雙圓頭鍵)平行鍵	W4*H4*L6	1.00	EA
83.00	MS 0103615NI	SOCKET HEAD CAP SCREW	六角六圓頭螺絲,鍍鎳	M6XP1.0XL10	14.00	EA
84.00	MS 0103617NI	SOCKET HEAD CAP SCREW (NICKEL)	六角六圓頭螺絲(鍍鎳)	M6XP1.0XL16	6.00	EA
85.00	MS 0303616NI	BUTTON HD. SOCKET (NICKEL)	六角六半圓頭螺絲(鍍鎳)	M6XP1.0XL12(ST:12.9)	10.00	EA
86.00	MW 0103610NI	FLAT WASHER(NICHEL)	平墊圈(鍍鎳)	M6	9.00	EA
87.00	VT 00069650047	HOSE WITH FIBER	明網管	HOSEΦ3/4"X0.6M	1.00	EA

PRODUCT BOM MASTER AND SUB-ITEMS LIST

Item	Part NO.	Description	中文名稱	Specification	Qty	Unit
88.00	GH 00077030501	CONNECTOR	插心直接頭	PT3/4"XΦ1"	1.00	EA
89.00	MS 0313617NI	SOCKET FLAT HEAD SCREW(NICKEL)	六角六平頭螺絲(鍍鎳)	M6XP1.0XL16	2.00	EA
90.00	MW 0183410	SPRING WASHER	彈簧墊圈	M4(HEAT TREATMENT)	4.00	EA
91.00	MS 0103415	SOCKET HEAD CAP SCREW	六角六圓頭螺絲	M4XP0.7XL10	4.00	EA
92.00	MS 0103519	SOCKET HEAD CAP SCREW	六角六圓頭螺絲	M5XP0.8XL25	4.00	EA
93.00	NL 000399025A	COVER, BRACKET	支撐架上蓋	HT060DM1	1.00	EA
94.00	MS 0103616NI	SOCKET HEAD CAP SCREW (NICKEL)	六角六圓頭螺絲(鍍鎳)	M6XP1.0XL12	4.00	EA
96.00	NL 000599002A	COVER	工收蓋板	TEMP	1.00	EA
97.00	NL 001066149A	CONNECTING BRACKER	氣壓缸連接板	L286XW79XH17	1.00	EA
99.00	NL 000599021A	DU PLATE	DU壓板	L25XW11XH5	3.00	EA
100.00	NL 00120690102	BUSHING, OILES	自潤軸承	D70*D65*L15	2.00	EA
101.00	NL 000403805A	GUIDE ROD,PART CATCHER	工收導桿	D14XL273	1.00	EA
102.00	NV 00120690104	BUSHING, OILES	含油軸承	LFB-1408	1.00	EA
103.00	NL 001066148A	FIXING PLATE	氣壓缸固定板	L151XW105XH10	1.00	EA
104.00	NLA000403806A	DRAW BAR, PART CATCHER	氣壓缸拉桿	L155.5*W13.86*H12	2.00	EA
105.00	NL 000599020A	CONNECTING PLATE	連接板	L87XW22XH5	1.00	EA
107.00	NL 000599065A	BRACKET	極限開關支架	TEMP	1.00	EA
108.00	NL 000599066A	BRACKET	極限開關固定板	TEMP	1.00	EA
109.00	NL 000599067A	BRACKET	終點定位塊	TEMP	1.00	EA
110.00	NL 00101160102	DUST SEAL	防塵油封	[DS]J 65	1.00	EA
111.00	MS 0303414NI	BUTTON HD. SOCKET(NICKEL)	六角六半圓頭螺絲(鍍鎳)	M4XP0.7XL8	10.00	EA
112.00	MS 0103618	SOCKET HEAD CAP SCREW	六角六圓頭螺絲	M6XP1.0XL20	6.00	EA

PRODUCT BOM MASTER AND SUB-ITEMS LIST

Item Part NO.	Description	中文名稱	Specification	Qty	Unit
113.00 MS 0103617	SOCKET HEAD CAP SCREW	六角六圓頭螺絲	M6XP1.0XL16	6.00	EA
114.00 MW 0103610	FLAT WASHER	平墊圈	M6(D6*D19*H2)	3.00	EA
115.00 MS 0103615	SOCKET HEAD CAP SCREW	六角六圓頭螺絲	M6XP1.0XL10	1.00	EA
116.00 MN 0113610	HEXAGON NUT	六角螺帽	M6XP1.0	2.00	EA
117.00 MS 0103314	SOCKET HD. CAP SCREW	六角六圓頭螺絲	M3XP0.5XL8	4.00	EA
118.00 MS 0103634	SOCKET HEAD CAP SCREW	六角六圓頭螺絲	M6XP1.0XL30(全牙)	1.00	EA
119.00 MW 0183510	SPRING WASHER	彈簧墊圈	M5(HEAT TREATMENT)	4.00	EA
120.00 NL 001066143A	EXTENSION BAR	延伸桿	D36XL181.5	1.00	EA
121.00 MS 0313415NI	FLAT HD. SOCKET(NICKEL)	六角六平頭螺絲(鍍鎳)	M4XP0.7XL10	8.00	EA



MODEL: TALENT 42/51 B MSY

PART NAME

STANDARD PIPING PARTS

一般切削水管路 (40PSI)-成套管路接頭

PART NUMBER

NL 000331014A

PAGE 1 OF 1

REV. A

SCALE 1:16

DATE 2017/2/28

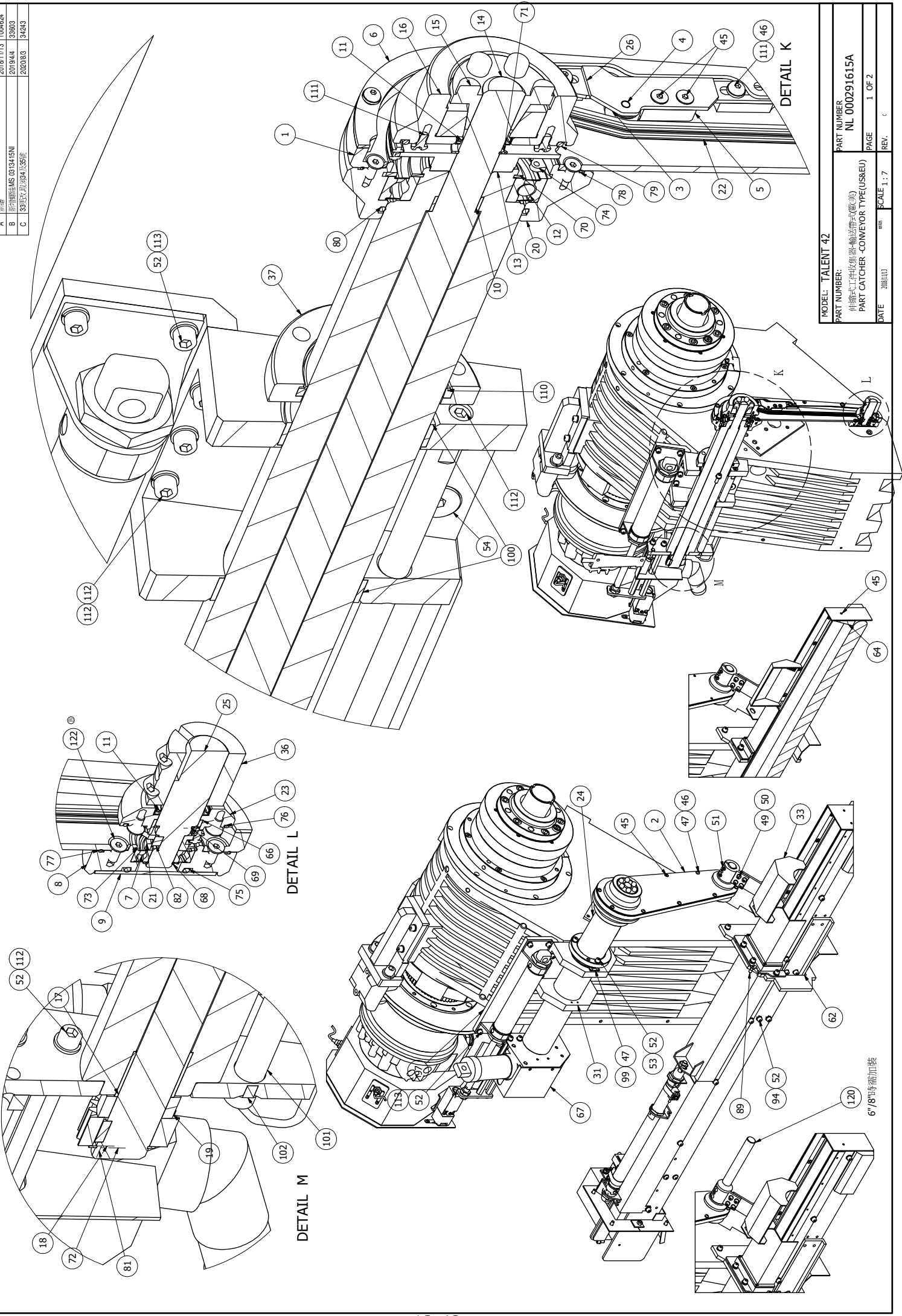
PRODUCT BOM MASTER AND SUB-ITEMS LIST

Master Item Part NO.: NL 000331014A

Description: PIPING PARTS, PARTS CATCHER
工件收集器冲屑-成套管路接头

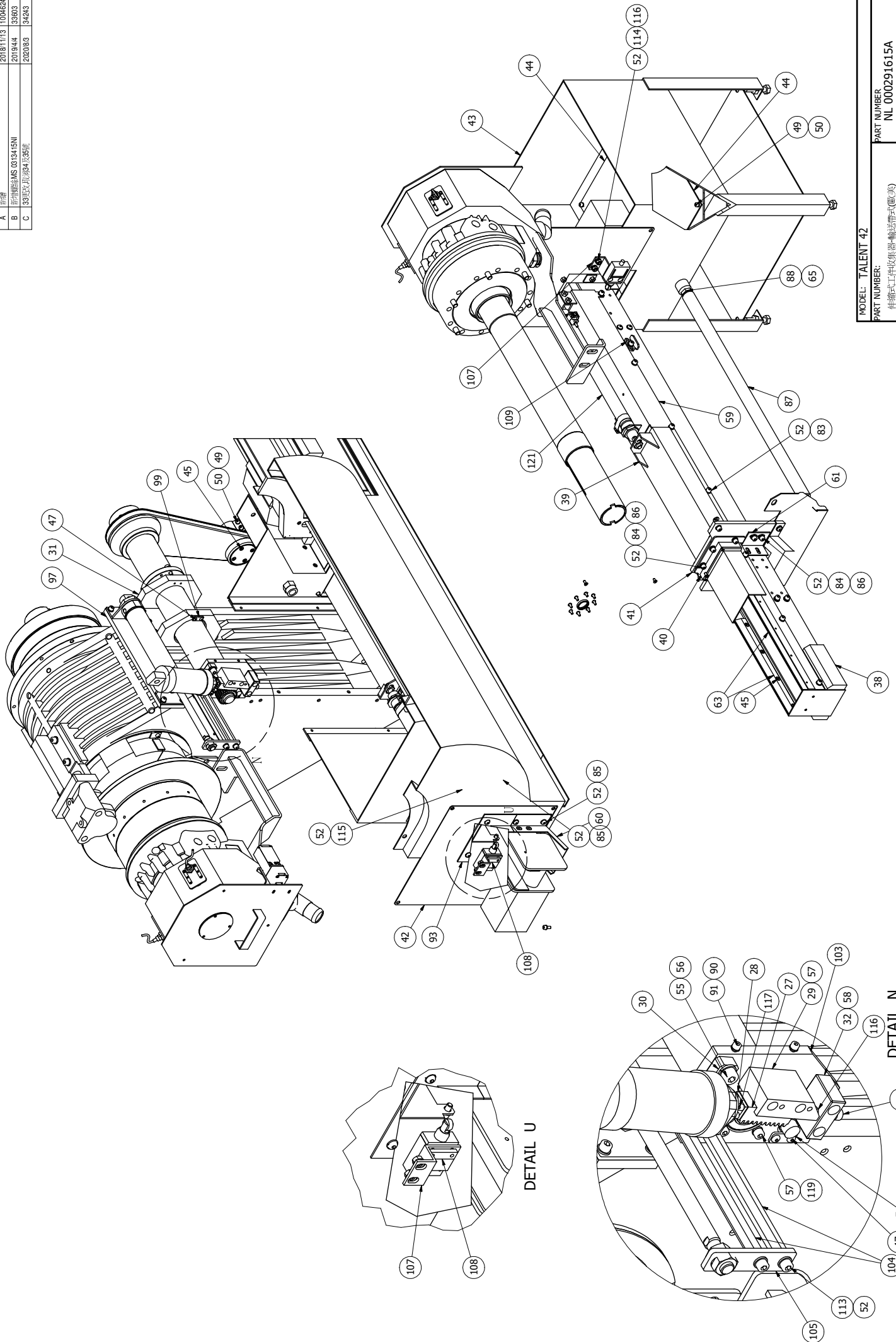
Item	Part NO.	Description	中文名稱	Specification	Qty	Unit
1.02	BL 00069650229	HOSE, FLEXIBLE HYDRAULIC	耐油橡膠管	R1-Φ1/2"XW3/4"-16UNFX1.6M	1.00	EA
2.00	NV 00077030237	NIPPLE, STRAIGHT	直接頭	PT3/4X3/4-16UNF	1.00	EA
3.00	NV 00077030256	NIPPLE, STRAIGHT	直接頭	PT3/8"(M)X9/16-18UNF(M)	1.00	EA
4.00	BL 00070110124	NOZZLE, COOLANT	冷卻水噴嘴(扁嘴附開關)	PT3/8"X3P(LAMELLIROSTRAL)	1.00	ST

次序	設計變更紀錄	日期	ECN
A	新繪	2018/11/13	1004624
B	新繪(變更MS 031415N)	2019/4/4	33503
C	33型汽缸(原裝)及35型	2020/8/3	34243



MODEL: TALENT 42	PART NUMBER: NL 000291615A
伸縮式工件收縮器-輸送帶式(歐美)	PAGE: 1 OF 2
伸縮式工件收縮器-輸送帶式(歐美)	REV: 6
DATE: 2020/1/13	SCALE: 1:7

次字	設計/變更紀錄	日期	ECN
A	新繪	2018/11/3	1004624
B	部分變更MS 031415NI	2019/4/4	33503
C	33部零件圖號及55部	2020/8/3	84243



MODEL: TALENT 42	PART NUMBER: NL 000291615A	PAGE: 2 OF 2	REV: C
PART NUMBER: NL 000291615A		PAGE: 2 OF 2	
伸縮式工件拾取器-輸送帶式(歐美)		PART CATCHER - CONVEYOR TYPE (US/SEU)	
DATE: 2020/11/3	SCALE: 1:1	REV: C	

PRODUCT BOM MASTER AND SUB-ITEMS LIST

Master Item Part NO.: NL 000291615A

Description: PART CATCHER -CONVEYOR TYPE
伸縮式工件收集器-輸送帶式(歐美)

Item Part NO.	Description	中文名稱	Specification	Qty	Unit
1.00	NL 001066134A BOX, CHAIN WHEEL	鏈輪箱	L394.5XW116XH13	1.00	EA
2.00	NLA000299093A COVER	蓋板	TEMP	1.00	EA
3.00	NL 00002660105 BALL BEARING	單列深槽滾珠軸承	696ZZ1MC3E	1.00	EA
4.00	NL 000403802A SHAFT	惰輪轉軸	D6XL9.5	1.00	EA
5.00	NL 000299094A SUPPORT, BEARING	惰輪支架	HT060DG6	1.00	EA
6.00	NL 000805001A RUBBER ,SPLASH GUARD	橡膠墊	L394.5*W116*H2	1.00	EA
7.00	NV 00002660104 BALL BEARING	單列深槽滾珠軸承	6001ZZ	1.00	EA
8.00	NL 001066122A SEAT, BEARING	下軸承座	D68*H17.7	1.00	EA
9.00	NL 000299096A COVER	蓋板	HT060DG8	1.00	EA
10.00	NV 000599018F (DETA)OILLIESS BEARINGS	自潤襯套	2010	1.00	EA
11.00	NL 00101160101 SHAFT SEAL	軸封	[IKO] OS 20264	2.00	EA
12.00	NV 00002660306 DEEP-GROOVED BALL BEARING	深溝滾珠軸承	6009ZZ	1.00	EA
13.00	NL 000317708A SPROCKET	上鏈輪	D80XH12	1.00	EA
14.00	NL 000403807A SHAFT,PART CATCHER	工件收集器旋轉軸	D25XL546	1.00	EA
15.00	NL 001179209A FLANGE	迫緊環	SDS-20	1.00	EA
16.01	NL 001066135A SEAT OF MECHA LOCKS	迫緊環座	D85XH33	1.00	EA
17.00	NV 00120690106 SELF-LUBRICATING BEARING	含油軸承	LFB-2530	1.00	EA
18.00	BL 000620003A GEAR, PARTS CATCHER	收集器旋轉齒輪	M1.5X26T	1.00	EA
19.00	BL 000179907A SPACER, PARTS CATCHER	間隔圈(收集器)	D35X25X14	1.00	EA

PRODUCT BOM MASTER AND SUB-ITEMS LIST

Item	Part NO.	Description	中文名稱	Specification	Qty	Unit
20.00	NL 001066127A	SEAT, BEARING	上軸承座	D58XH38	1.00	EA
21.00	NL 000317709A	SPROCKET	下鏈輪	D28XD12H10	1.00	EA
22.00	NL 00103910103	CHAIN	鏈條	[MISUMI]CHE25-120 含結合鏈節	1.00	EA
23.00	NL 001066137A	COVER	下軸蓋	L125XW48XH28	1.00	EA
24.00	NLA001066145A	SHAFT	固定軸	D65XH451.5	1.00	EA
25.00	NL 001066128A	SHAFT, PART CATCHER	下旋轉軸	D20XL78	1.00	EA
26.00	NL 000299095A	SUPPORT, BEARING	惰輪支撐板	HT060DG7	1.00	EA
27.00	BL 000620004A	GEAR, PARTS CATCHER	收集器排齒	M1.5XL52	1.00	EA
28.00	BL 000299072A	PLATE, CYLINDER	氣壓缸壓板	18*15*3	1.00	EA
29.00	BL 001066121A	SUPPORTER, GEAR	排齒支撐塊	38*20*65	1.00	EA
30.00	BL 001066120A	SUPPORTER, CYLINDER	氣壓缸固定架(手臂式)	68*43.5*20	1.00	EA
31.00	NL 001066147A	FIXING PLATE	工件收集器支撐板	L144XW120XH92.5	1.00	EA
32.00	NL 001066126A	STOPPER	氣壓缸止動塊	L45XW33XH16	1.00	EA
33.01	NL 000699001A	BOX, PARTS CATCHER	工件收集槽-PU包膜	L120XW110XH118.3	1.00	EA
36.00	NL 001066139A	BOX SUPPORT, PARTS CATCHER	工件收集槽支架	L62.9*W36*H35	1.00	EA
37.00	NL 001066146A	BUSHING, PARTS CATCHER	工件收集器軸襯套	D92*D65*H12	1.00	EA
38.01	NLC000207003A	[RIGHT SPRING] L1021	出料搬送機	CONVEYOR, PART CATCHER	1.00	ST
39.00	NLA000299099A	SLIDING COVER	滑動蓋	L497XW84XH174.5	1.00	EA
40.00	NL 000805004A	WIPER, PART CATCHER	刮刷片	L126XW80XH22	1.00	EA
41.00	NL 000399012A	FIX PLATE, CONVEYOR	輸送機前固定板	HT060DJ7	1.00	EA
42.00	NLA000399006A	COVER	導料槽蓋板	TEMP	1.00	EA
43.00	NL 000399010A	PART COLLECTOR	工件收集箱	HT060DJ1	1.00	EA

PRODUCT BOM MASTER AND SUB-ITEMS LIST

Item	Part NO.	Description	中文名稱	Specification	Qty	Unit
44.00	NL 000399014A	FILTER, BASKET	工件收集籃濾網(深灰49Q02F)	HT060DJ9	1.00	EA
45.00	MS 0313414NI	FLAT HD. SOCKET(NICKEL)	六角六平頭螺絲(鍍鎳)	M4XP0.7XL8	33.00	EA
46.00	MW 0183410NI	SPRING WASHER (NICKEL)	彈簧墊圈(鍍鎳)	M4(HEAT TREATMENT)	12.00	EA
47.00	MS 0303415NI	BUTTON HD. SOCKET(NICKEL)	六角六半圓頭螺絲(鍍鎳)	M4XP0.7XL10	15.00	EA
48.00	MS 0303416NI	BUTTON HD. SOCKET(NICKEL)	六角六半圓頭螺絲(鍍鎳)	M4XP0.7XL12	1.00	EA
49.00	MW 0183510NI	SPRING WASHER (NICKEL)	彈簧墊圈(鍍鎳)	M5(HEAT TREATMENT)	12.00	EA
50.00	MS 0103516NI	SOCKET HEAD CAP SCREW (NICKEL)	六角六圓頭螺絲(鍍鎳)	M5XP0.8XL12	8.00	EA
51.00	MS 0103518NI	SOCKET HEAD CAP SCREW (NICKEL)	六角六圓頭螺絲(鍍鎳)	M5XP0.8XL20	2.00	EA
52.00	MW 0183610NI	SPRING WASHER (NICKEL)	彈簧墊圈(鍍鎳)	M6(HEAT TREATMENT)	56.00	EA
53.00	MS 0103618NI	SOCKET HEAD CAP SCREW (NICKEL)	六角六圓頭螺絲(鍍鎳)	M6XP1.0XL20	5.00	EA
54.00	MS 0104018	SOCKET HEAD CAP SCREW	六角六圓頭螺絲	M10XP1.5XL20	4.00	EA
55.00	MW 0183810	SPRING WASHER	彈簧墊圈	M8(HEAT TREATMENT)	2.00	EA
56.00	MS 0103819	SOCKET HEAD CAP SCREW	六角六圓頭螺絲	M8XP1.25XL25	2.00	EA
57.00	MS 0103518	SOCKET HEAD CAP SCREW	六角六圓頭螺絲	M5XP0.8XL20	2.00	EA
58.00	MS 0103619	SOCKET HEAD CAP SCREW	六角六圓頭螺絲	M6XP1.0XL25	2.00	EA
59.00	NL 001011596A	BRACKET, AIR CYLINDER	氣壓缸座	L1188XW106XH76	1.00	EA
60.00	NL 000399005A	GUIDE GROOVE	輸送機後支撐架	HT060DJ4	1.00	EA
61.00	NL 000399013A	PLATE,PART CATCHER	工件收集器支撐座	HT060DJ8	1.00	EA
62.00	NL 000599022A	SUPPORT BRACKET	支撐板	L175XW51XH16	1.00	EA
63.00	NL 000805011A	CRASHPOOF PLATE,PART CATCHER	側防撞板	L277XW25XH7	2.00	EA
64.00	BL 000805022A	CRASHPOOF,PART CATCHER	工件收集器防撞板	L58XW57XH15	1.00	EA
65.00	NV 000696604	CLAMP	不鏽鋼管夾	3/4"	1.00	EA

PRODUCT BOM MASTER AND SUB-ITEMS LIST

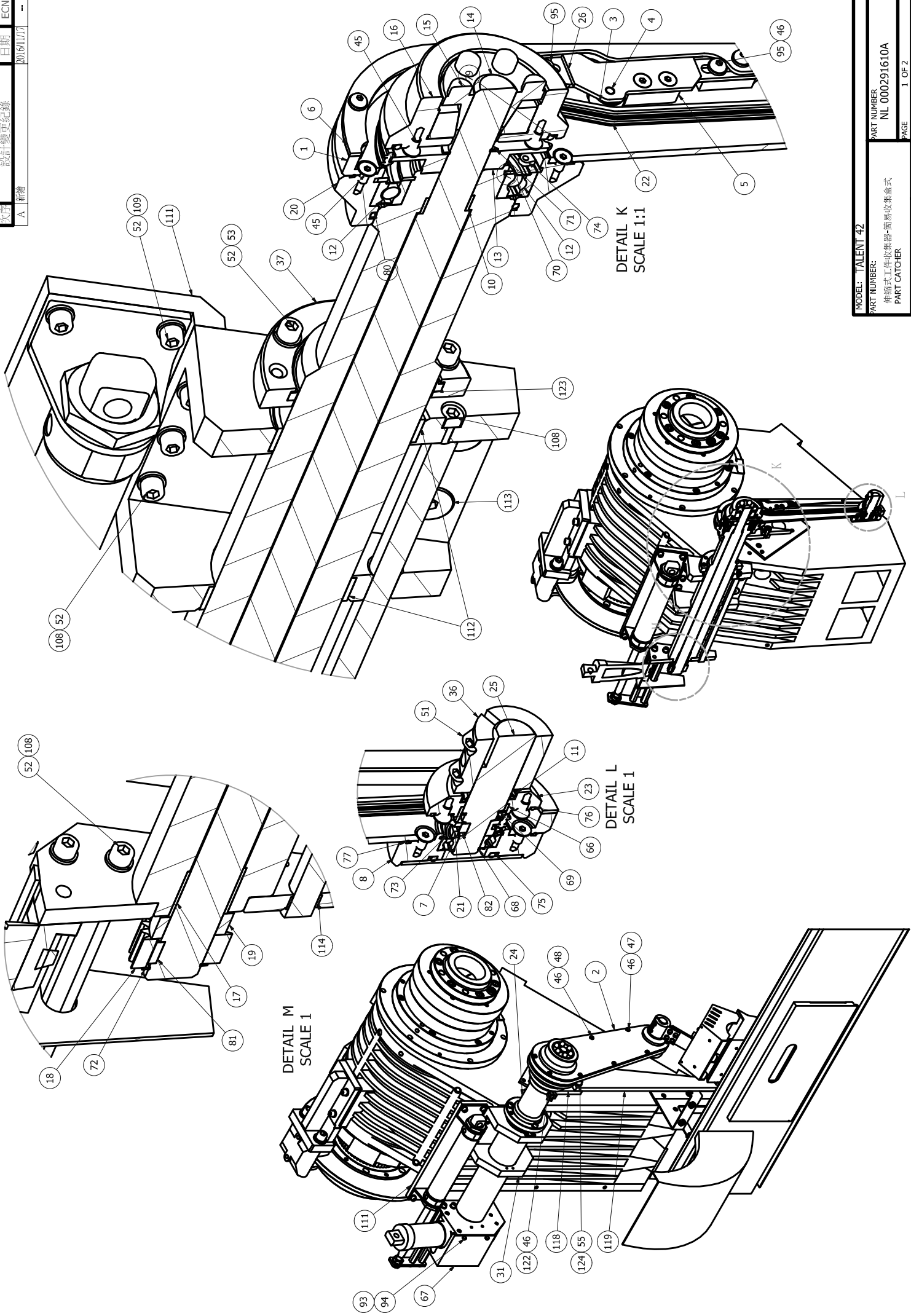
Item	Part NO.	Description	中文名稱	Specification	Qty	Unit
66.00	NL 00120690101	BUSHING, OILES	自潤軸承	D23*D20*L4	1.00	EA
67.00	NL 000599030A	COVER, GEAR	齒輪護蓋	TEMP	1.00	EA
68.00	NV 00082310201	RING, C-RETAINING	C型外扣	S-12	1.00	EA
69.00	NL 00082310103	RING, C-RETAINING	C型外扣環	S-16	1.00	EA
70.00	BL 00082310208	RING, C-RETAINING	C型外扣環	S-45	1.00	EA
71.00	BL 00082310206	RING, C-RETAINING	C型外扣環	S-20	1.00	EA
72.00	BL 00082310207	RING, C-RETAINING	C型外扣環	S-25	1.00	EA
73.00	NV 00082310101	RING, C-RETAINING	C型內扣	R-28	1.00	EA
74.00	NL 00082310102	RING, C-RETAINING	C型內扣環	R-75	1.00	EA
75.00	NV 00094310505	O-RING	O型油環	G-25	1.00	EA
76.00	NL 00094310101	O-RING	O型環	AS031	1.00	EA
77.00	NL 00094310108	O-RING	O型環	AS035	1.00	EA
78.00	NL 00094310103	O-RING	O型環	AS045	1.00	EA
79.00	NV 00094310223	O-RING	O型油環	(DETA)G70	1.00	EA
80.00	NV 00094310227	O-RING	O型油環	[JIS] G65	1.00	EA
81.00	BL 00061150104	SUNK KEY	(雙圓頭鍵)平行鍵	W4*H4*L14	1.00	EA
82.00	NL 00061150104	SUNK KEY	(雙圓頭鍵)平行鍵	W4*H4*L6	1.00	EA
83.00	MS 0103615NI	SOCKET HEAD CAP SCREW	六角六圓頭螺絲,鍍鎳	M6XP1.0XL10	16.00	EA
84.00	MS 0103617NI	SOCKET HEAD CAP SCREW (NICKEL)	六角六圓頭螺絲(鍍鎳)	M6XP1.0XL16	6.00	EA
85.00	MS 0303616NI	BUTTON HD. SOCKET (NICKEL)	六角六半圓頭螺絲(鍍鎳)	M6XP1.0XL12(ST:12.9)	10.00	EA
86.00	MW 0103610NI	FLAT WASHER(NICHEL)	平墊圈(鍍鎳)	M6	9.00	EA
87.00	VT 00069650047	HOSE WITH FIBER	明網管	HOSEΦ3/4"X0.6M	1.00	EA

PRODUCT BOM MASTER AND SUB-ITEMS LIST

Item	Part NO.	Description	中文名稱	Specification	Qty	Unit
88.00	GH 00077030501	CONNECTOR	插心直接頭	PT3/4"XΦ1"	1.00	EA
89.00	MS 0313617NI	SOCKET FLAT HEAD SCREW(NICKEL)	六角六平頭螺絲(鍍鎳)	M6XP1.0XL16	2.00	EA
90.00	MW 0183410	SPRING WASHER	彈簧墊圈	M4(HEAT TREATMENT)	4.00	EA
91.00	MS 0103415	SOCKET HEAD CAP SCREW	六角六圓頭螺絲	M4XP0.7XL10	4.00	EA
92.00	MS 0103519	SOCKET HEAD CAP SCREW	六角六圓頭螺絲	M5XP0.8XL25	4.00	EA
93.00	NL 000399025A	COVER, BRACKET	支撐架上蓋	HT060DM1	1.00	EA
94.00	MS 0103616NI	SOCKET HEAD CAP SCREW (NICKEL)	六角六圓頭螺絲(鍍鎳)	M6XP1.0XL12	4.00	EA
96.00	NL 000599002A	COVER	工收蓋板	TEMP	1.00	EA
97.00	NL 001066149A	CONNECTING BRACKER	氣壓缸連接板	L286XW79XH17	1.00	EA
99.00	NL 000599021A	DU PLATE	DU壓板	L25XW11XH5	3.00	EA
100.00	NL 00120690102	BUSHING, OILES	自潤軸承	D70*D65*L15	2.00	EA
101.00	NL 000403805A	GUIDE ROD,PART CATCHER	工收導桿	D14XL273	1.00	EA
102.00	NV 00120690104	BUSHING, OILES	含油軸承	LFB-1408	1.00	EA
103.00	NL 001066148A	FIXING PLATE	氣壓缸固定板	L151XW105XH10	1.00	EA
104.00	NLA000403806A	DRAW BAR, PART CATCHER	氣壓缸拉桿	L155.5*W13.86*H12	2.00	EA
105.00	NL 000599020A	CONNECTING PLATE	連接板	L87XW22XH5	1.00	EA
107.00	NL 000599065A	BRACKET	極限開關支架	TEMP	1.00	EA
108.00	NL 000599066A	BRACKET	極限開關固定板	TEMP	1.00	EA
109.00	NL 000599067A	BRACKET	終點定位塊	TEMP	1.00	EA
110.00	NL 00101160102	DUST SEAL	防塵油封	[DS]J 65	1.00	EA
111.00	MS 0303414NI	BUTTON HD. SOCKET(NICKEL)	六角六半圓頭螺絲(鍍鎳)	M4XP0.7XL8	10.00	EA
112.00	MS 0103618	SOCKET HEAD CAP SCREW	六角六圓頭螺絲	M6XP1.0XL20	6.00	EA

PRODUCT BOM MASTER AND SUB-ITEMS LIST

Item Part NO.	Description	中文名稱	Specification	Qty	Unit
113.00 MS 0103617	SOCKET HEAD CAP SCREW	六角六圓頭螺絲	M6XP1.0XL16	6.00	EA
114.00 MW 0103610	FLAT WASHER	平墊圈	M6(D6*D19*H2)	3.00	EA
115.00 MS 0103615	SOCKET HEAD CAP SCREW	六角六圓頭螺絲	M6XP1.0XL10	1.00	EA
116.00 MN 0113610	HEXAGON NUT	六角螺帽	M6XP1.0	2.00	EA
117.00 MS 0103314	SOCKET HD. CAP SCREW	六角六圓頭螺絲	M3XP0.5XL8	4.00	EA
118.00 MS 0103634	SOCKET HEAD CAP SCREW	六角六圓頭螺絲	M6XP1.0XL30(全牙)	1.00	EA
119.00 MW 0183510	SPRING WASHER	彈簧墊圈	M5(HEAT TREATMENT)	4.00	EA
120.00 NL 001066143A	EXTENSION BAR	延伸桿	D36XL181.5	1.00	EA
122.00 MS 0313415NI	FLAT HD. SOCKET(NICKEL)	六角六平頭螺絲(鍍鎳)	M4XP0.7XL10	8.00	EA



MODEL: TALENT 42

PART NUMBER:

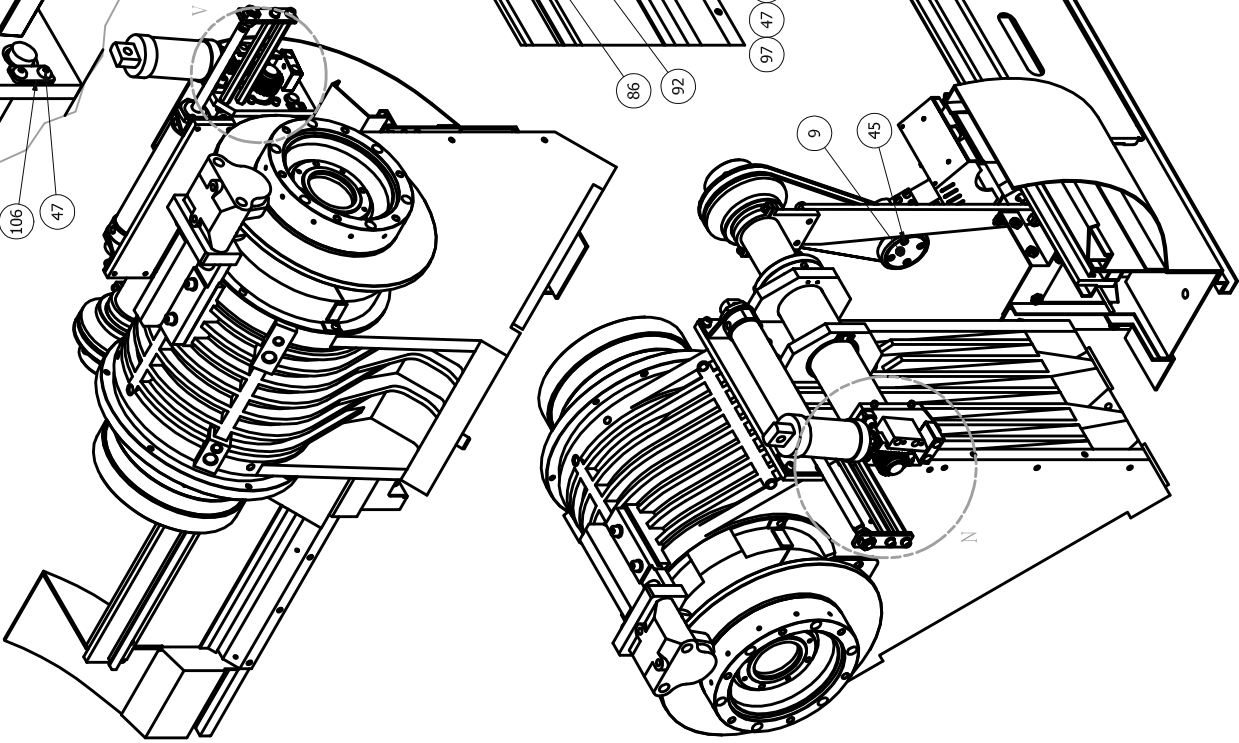
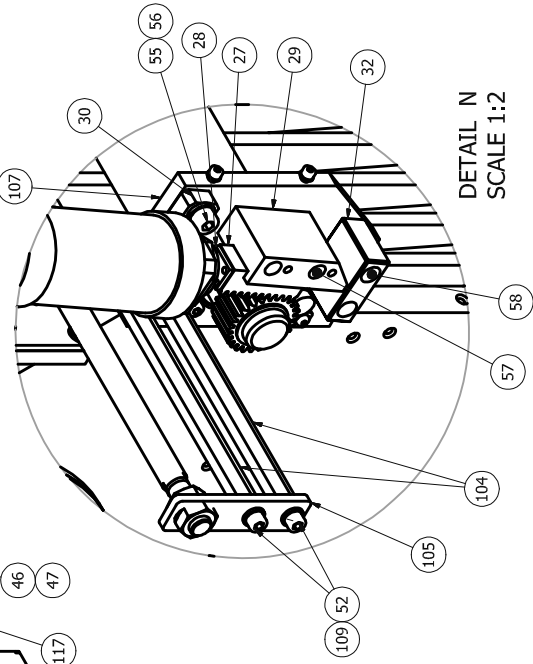
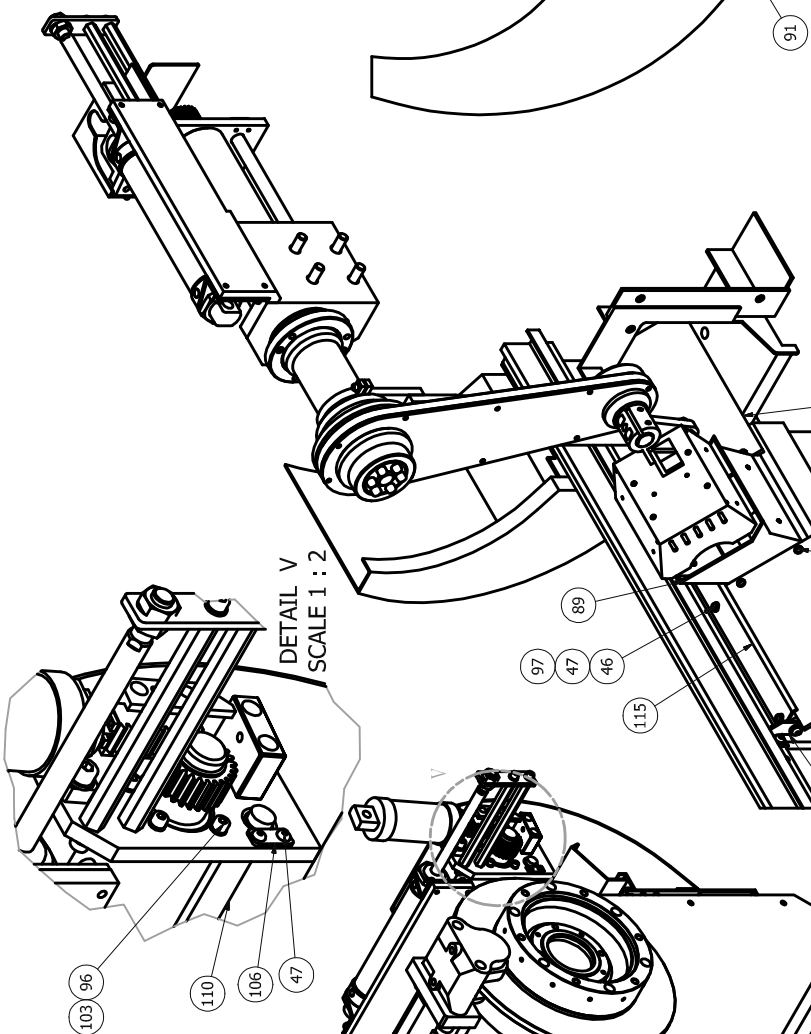
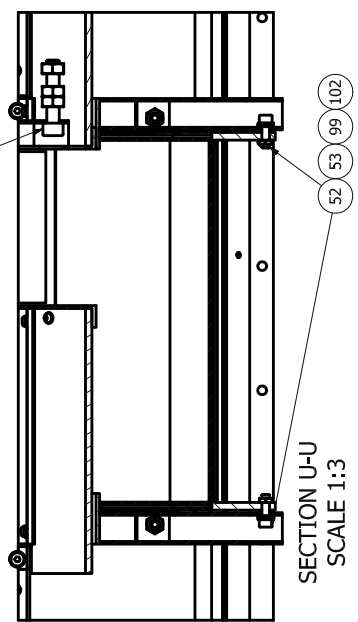
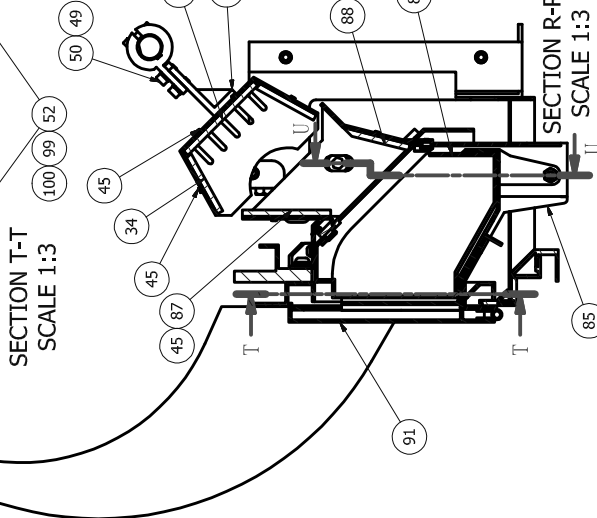
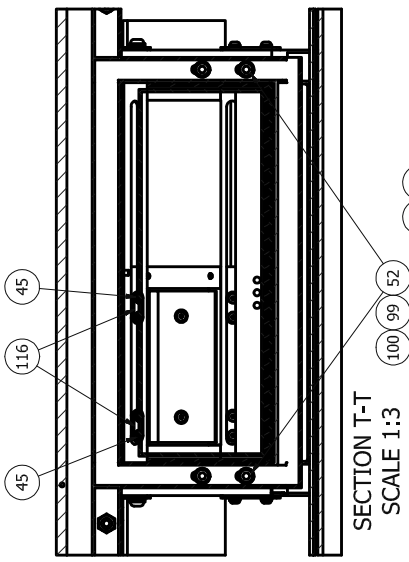
NL 000291610A

伸縮式工件收集器-簡放式盒式
PART CATCHER

PAGE 1 OF 2

REV. C

DATE 2016/11/17 SCALE 1:1.7



MODEL: TALENT 42	SCALE: 1:7	REV: c
PART NUMBER: 伸縮式工作收集器-簡化集盒式 PART CATCHER	PART NUMBER: NL 000291610A	PAGE 2 OF 2
DATE: 2016/11/17		

PRODUCT BOM MASTER AND SUB-ITEMS LIST

Master Item Part NO.: NL 000291610A

Description: PART CATCHER -CONVEYOR TYPE
伸縮式工件收集器-簡易收集盒式

Item	Part NO.	Description	中文名稱	Specification	Qty	Unit
1.00	NL 001066134A	BOX, CHAIN WHEEL	鏈輪箱	L394.5XW116XH13	1.00	EA
2.00	NL 000299093A	COVER	蓋板	HT060DG5	1.00	EA
3.00	NL 00002660105	BALL BEARING	單列深槽滾珠軸承	696ZZ1MC3E	1.00	EA
4.00	NL 000403802A	SHAFT	惰輪轉軸	D6XL9.5	1.00	EA
5.00	NL 000299094A	SUPPORT, BEARING	惰輪支架	HT060DG6	1.00	EA
6.00	NL 000805001A	RUBBER ,SPLASH GUARD	橡膠墊	L421.5XW116XH2	1.00	EA
7.00	NV 00002660104	BALL BEARING	單列深槽滾珠軸承	6001ZZ	1.00	EA
8.00	NL 001066122A	SEAT, BEARING	下軸承座	D68*H17.7	1.00	EA
9.00	NL 000299096A	COVER	蓋板	HT060DG8	1.00	EA
10.00	NV 000599018F	(DETA)OILLIESS BEARINGS	自潤襯套	2010	1.00	EA
11.00	NL 00101160101	SHAFT SEAL	軸封	[IKO] OS 20264	1.00	EA
12.00	NV 00002660306	DEEP-GROOVED BALL BEARING	深溝滾珠軸承	6009ZZ	1.00	EA
13.00	NL 000317708A	SPROCKET	上鏈輪	D80XH12	1.00	EA
14.00	NL 000403807A	SHAFT,PART CATCHER	工件收集器旋轉軸	D25XL546	1.00	EA
15.00	NL 001179209A	FLANGE	迫緊環	SDS-20	1.00	EA
16.00	NL 001066135A	SEAT OF MECHA LOCKS	迫緊環座	D85XH33	1.00	EA
17.00	NV 00120690106	SELF-LUBRICATING BEARING	含油軸承	LFB-2530	1.00	EA
18.00	BL 000620003A	GEAR, PARTS CATCHER	收集器旋轉齒輪	M1.5X26T	1.00	EA
19.00	BL 000179907A	SPACER, PARTS CATCHER	間隔圈(收集器)	D35X25X14	1.00	EA

PRODUCT BOM MASTER AND SUB-ITEMS LIST

Item	Part NO.	Description	中文名稱	Specification	Qty	Unit
20.00	NL 001066127A	SEAT,BEARING	上軸承座	D58XH38	1.00	EA
21.00	NL 000317709A	SPROCKET	下鏈輪	D28XD12H10	1.00	EA
22.00	NL 00103910103	CHAIN	鏈條	[MISUMI]CHE25-120 含結合鏈節	1.00	EA
23.00	NL 001066137A	COVER	下軸蓋	L125XW48XH28	1.00	EA
24.00	NL 001066145A	SHAFT	固定軸	D65XH451.5	1.00	EA
25.00	NL 001066128A	SHAFT, PART CATCHER	下旋轉軸	D20XL78	1.00	EA
26.00	NL 000299095A	SUPPORT, BEARING	惰輪支撐板	HT060DG7	1.00	EA
27.00	BL 000620004A	GEAR, PARTS CATCHER	收集器排齒	M1.5XL52	1.00	EA
28.00	BL 000299072A	PLATE, CYLINDER	氣壓缸壓板	18*15*3	1.00	EA
29.00	BL 001066121A	SUPPORTER, GEAR	排齒支撐塊	38*20*65	1.00	EA
30.00	BL 001066120A	SUPPORTER, CYLINDER	氣壓缸固定架(手臂式)	68*43.5*20	1.00	EA
31.00	NL 001066147A	FIXING PLATE	工件收集器支撐板	L144XW120XH92.5	1.00	EA
32.00	NL 001066126A	STOPPER	氣壓缸止動塊	L45XW33XH16	1.00	EA
33.00	NL 000299091A	PART CATCHER BUCKET	工件收集槽	HT060DG9	1.00	EA
34.00	NL 000805003A	CRASHPOOF PLATE,PART CATCHER	下防撞板	L114XW61XH5	2.00	EA
35.00	NL 000805002A	CRASHPOOF PLATE,PART CATCHER	下防撞板	L114XW78XH5	1.00	EA
36.00	NL 001066139A	BOX SUPPORT, PARTS CATCHER	工件收集槽支架	L62.9*W36*H35	1.00	EA
37.00	NL 001066146A	BUSHING, PARTS CATCHER	工件收集器軸襯套	D92*D65*H12	1.00	EA
45.00	MS 0313414NI	FLAT HD. SOCKET(NICKEL)	六角六平頭螺絲(鍍鎳)	M4XP0.7XL8	38.00	EA
46.00	MW 0183410NI	SPRING WASHER (NICKEL)	彈簧墊圈(鍍鎳)	M4(HEAT TREATMENT)	26.00	EA
47.00	MS 0303415NI	BUTTON HD. SOCKET(NICKEL)	六角六平圓頭螺絲(鍍鎳)	M4XP0.7XL10	26.00	EA
48.00	MS 0303416NI	BUTTON HD. SOCKET(NICKEL)	六角六平圓頭螺絲(鍍鎳)	M4XP0.7XL12	1.00	EA

PRODUCT BOM MASTER AND SUB-ITEMS LIST

Item	Part NO.	Description	中文名稱	Specification	Qty	Unit
49.00	MW 0183510NI	SPRING WASHER (NICKEL)	彈簧墊圈(鍍鎳)	M5(HEAT TREATMENT)	4.00	EA
50.00	MS 0103516NI	SOCKET HEAD CAP SCREW (NICKEL)	六角六圓頭螺絲(鍍鎳)	M5XP0.8XL12	4.00	EA
51.00	MS 0103518NI	SOCKET HEAD CAP SCREW (NICKEL)	六角六圓頭螺絲(鍍鎳)	M5XP0.8XL20	2.00	EA
52.00	MW 0183610NI	SPRING WASHER (NICKEL)	彈簧墊圈(鍍鎳)	M6(HEAT TREATMENT)	24.00	EA
53.00	MS 0103618NI	SOCKET HEAD CAP SCREW (NICKEL)	六角六圓頭螺絲(鍍鎳)	M6XP1.0XL20	5.00	EA
55.00	MW 0183810	SPRING WASHER	彈簧墊圈	M8(HEAT TREATMENT)	4.00	EA
56.00	MS 0103819	SOCKET HEAD CAP SCREW	六角六圓頭螺絲	M8XP1.25XL25	2.00	EA
57.00	MS 0103518	SOCKET HEAD CAP SCREW	六角六圓頭螺絲	M5XP0.8XL20	2.00	EA
58.00	MS 0103619	SOCKET HEAD CAP SCREW	六角六圓頭螺絲	M6XP1.0XL25	2.00	EA
66.00	NL 00120690101	BUSHING, OILES	自潤軸承	D23*D20*L4	1.00	EA
67.00	NL 000599030A	COVER, GEAR	齒輪護蓋	TEMP	1.00	EA
68.00	NV 00082310201	RING, C-RETAINING	C型外扣	S-12	1.00	EA
69.00	NL 00082310103	RING, C-RETAINING	C型外扣環	S-16	1.00	EA
70.00	BL 00082310208	RING, C-RETAINING	C型外扣環	S-45	1.00	EA
71.00	BL 00082310206	RING, C-RETAINING	C型外扣環	S-20	1.00	EA
72.00	BL 00082310207	RING, C-RETAINING	C型外扣環	S-25	1.00	EA
73.00	NV 00082310101	RING, C-RETAINING	C型內扣	R-28	1.00	EA
74.00	NL 00082310102	RING, C-RETAINING	C型內扣環	R-75	1.00	EA
75.00	NV 00094310505	O-RING	O型油環	G-25	1.00	EA
76.00	NL 00094310101	O-RING	O型環	AS031	1.00	EA
77.00	NL 00094310108	O-RING	O型環	AS035	1.00	EA
78.00	NL 00094310103	O-RING	O型環	AS045	1.00	EA

PRODUCT BOM MASTER AND SUB-ITEMS LIST

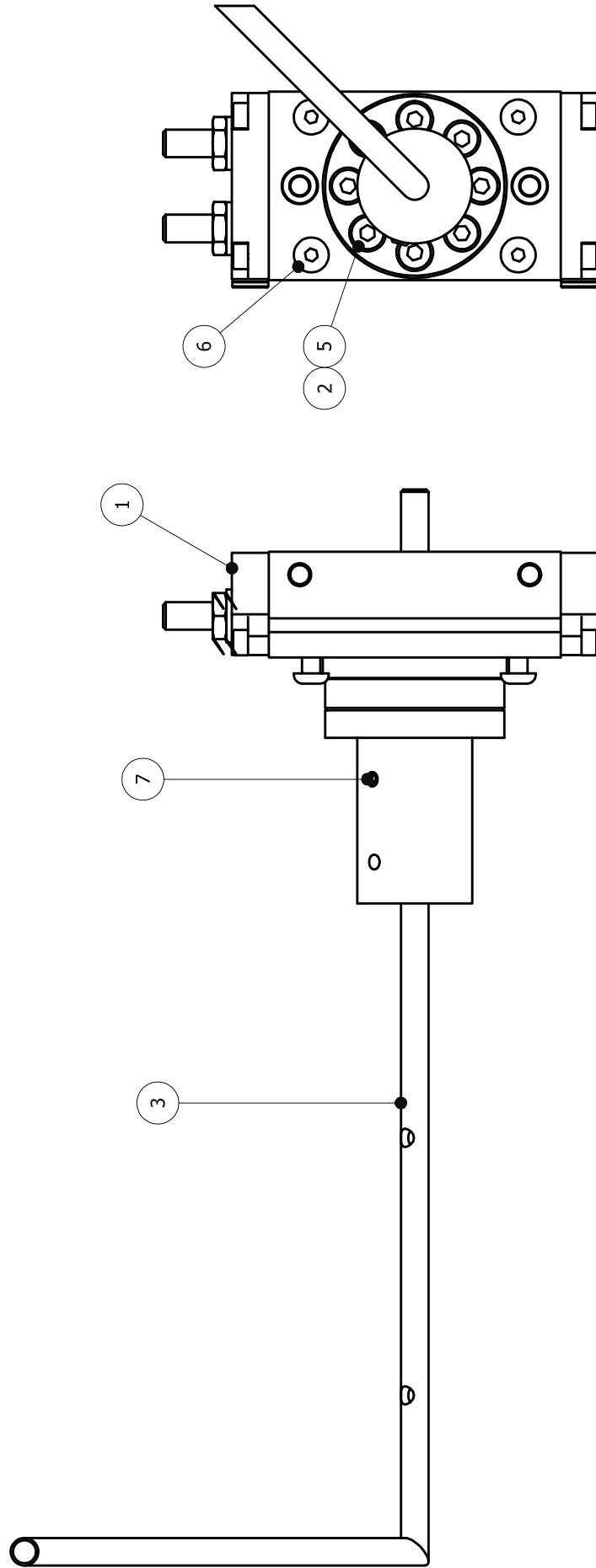
Item	Part NO.	Description	中文名稱	Specification	Qty	Unit
79.00	NV 00094310223	O-RING	O型油環	(DETA)G70	1.00	EA
80.00	NV 00094310227	O-RING	O型油環	[JIS] G65	1.00	EA
81.00	BL 00061150104	SUNK KEY	(雙圓頭鍵)平行鍵	W4*H4*L14	1.00	EA
82.00	NL 00061150104	SUNK KEY	(雙圓頭鍵)平行鍵	W4*H4*L6	1.00	EA
83.00	NLA000399065A	BOX, PART CATCHER	收料槽	TEMP	1.00	EA
85.00	NL 000599040A	BRACKET, PARTS CATCHER	抽屜式外罩	TEMP	1.00	EA
86.00	NL 000399032A	BRACKET	支撐架	HT060DN2	2.00	EA
87.00	NL 000805008A	CRASHPOOF PLATE,PART CATCHER	防撞板	L170XW70XH5	1.00	EA
88.00	NL 000805009A	CRASHPOOF PLATE,PART CATCHER	防撞板	L120XW55XH5	1.00	EA
89.00	NL 000599041A	BRACKET, PARTS CATCHER	導料槽	TEMP	1.00	EA
90.00	NL 001011511A	COVER, PARTS CATCHER	鋁合金防護捲簾	L210*W110*H5	2.00	EA
91.00	NLA000399063A	DOOR	工收掀門	TEMP	1.00	EA
92.00	NL 000599028A	ADAPTER PLATE	刮刷橡膠片	TEMP	2.00	EA
93.00	MW 0183410	SPRING WASHER	彈簧墊圈	M4(HEAT TREATMENT)	4.00	EA
94.00	MS 0103415	SOCKET HEAD CAP SCREW	六角穴圓頭螺絲	M4XP0.7XL10	4.00	EA
95.00	MS 0303414NI	BUTTON HD. SOCKET(NICKEL)	六角穴半圓頭螺絲(鍍鎳)	M4XP0.7XL8	2.00	EA
96.00	MS 0103519	SOCKET HEAD CAP SCREW	六角穴圓頭螺絲	M5XP0.8XL25	4.00	EA
97.00	MW 0103410NI	FLAT WASHER(NICKEL)	平墊圈(鍍鎳)	M4XD10X1T	8.00	EA
98.00	MS 0303616NI	BUTTON HD. SOCKET (NICKEL)	六角穴半圓頭螺絲(鍍鎳)	M6XP1.0XL12	4.00	EA
99.00	MW 0103610NI	FLAT WASHER(NICHEL)	平墊圈(鍍鎳)	M6	10.00	EA
100.00	MS 0103616NI	SOCKET HEAD CAP SCREW (NICKEL)	六角穴圓頭螺絲(鍍鎳)	M6XP1.0XL12	4.00	EA
102.00	MN 0113610NI	HEXAGON NUT(NICKEL)	六角螺帽(鍍鎳)	M6XP1	2.00	EA

PRODUCT BOM MASTER AND SUB-ITEMS LIST

Item	Part NO.	Description	中文名稱	Specification	Qty	Unit
103.00	MW 0183510	SPRING WASHER	彈簧墊圈	M5(HEAT TREATMENT)	4.00	EA
104.00	NLA000403806A	DRAW BAR, PART CATCHER	氣壓缸拉桿	L 155.5*W13.86*H12	2.00	EA
105.00	NL 000599020A	CONNECTING PLATE	連接板	L87XW22XH5	1.00	EA
106.00	NL 000599021A	DU PLATE	DU壓板	L25XW11XH5	3.00	EA
107.00	NL 001066148A	FIXING PLATE	氣壓缸固定板	L151XW105XH10	1.00	EA
108.00	MS 0103618	SOCKET HEAD CAP SCREW	六角六圓頭螺絲	M6XP1.0XL20	6.00	EA
109.00	MS 0103617	SOCKET HEAD CAP SCREW	六角六圓頭螺絲	M6XP1.0XL16	6.00	EA
110.00	NL 000403805A	GUIDE ROD,PART CATCHER	工收導桿	D14XL273	1.00	EA
111.00	NL 001066149A	CONNECTING BRACKER	氣壓缸連接板	L286XW79XH17	1.00	EA
112.00	NL 00120690102	BUSHING, OILES	自潤軸承	D70*D65*L15	2.00	EA
113.00	MS 0314020	SOCKET FLAT HEAD SCREW	六角六平頭螺絲	M10XP1.5XL30	4.00	EA
114.00	NV 00120690104	BUSHING, OILES	含油軸承	LFB-1408	1.00	EA
115.00	NL 000599042A	COVER	捲簾蓋板	TEMP	1.00	EA
116.00	NL 000599043A	SLIDE BLOCK	滑動塊	TEMP	4.00	EA
117.00	NL 000599044A	WATERPROOF PLATE	遮水板	TEMP	1.00	EA
118.00	NL 000599045A	BRACKET	收集槽連接板A	TEMP	1.00	EA
119.00	NL 000599046A	BRACKET	收集槽連接板B	TEMP	1.00	EA
120.00	MS 0104024	SOCKET HEAD CAP SCREW	六角六圓頭螺絲	M10XP1.5XL50	1.00	EA
121.00	MN 0113910	HEXAGON NUT	六角螺帽	M10XP1.25	3.00	EA
122.00	MS 0103417NI	SOCKET HEAD CAP SCREW (NICKEL)	六角六圓頭螺絲(鍍鎳)	M4XP0.7XL16	2.00	EA
123.00	NL 00101160102	DUST SEAL	防塵油封	[DSI] 65	1.00	EA
124.00	MS 0103818NI	SOCKET HEAD CAP SCREW(NICKEL)	六角六圓頭螺絲(鍍鎳)	M8XP1.25XL20	2.00	EA

PARTS LIST

ITEM	PART NUMBER	QTY	DESCRIPTION	TIGHTENING TORQUE(N·m)
1	NL 00029170201	1	旋轉氣壓缸	
2	NL 000403804A	1	轉接座	
3	NL 000799004A	1	撥桿	
5	MS 0103414NI	8	M4x 8 六角穴圓頭螺絲(鍍鎳)	4.5
6	MS 0303413NI	4	M4x 8 六角穴半圓頭螺絲(鍍鎳)	4.5
7	MS 0553414	4	M4x 8 杯型端固定螺絲	4.5
30		1		



PRODUCT BOM MASTER AND SUB-ITEMS LIST

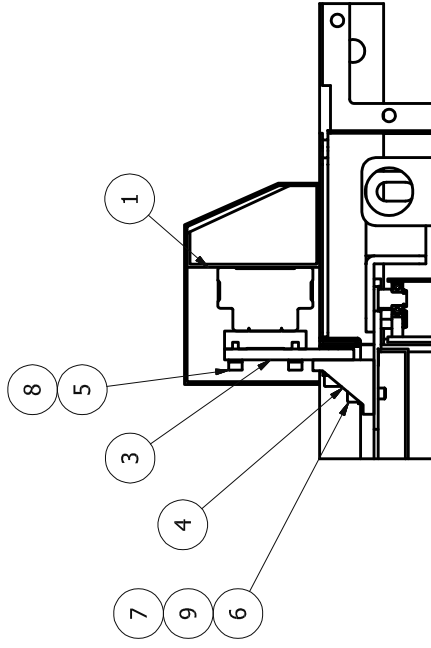
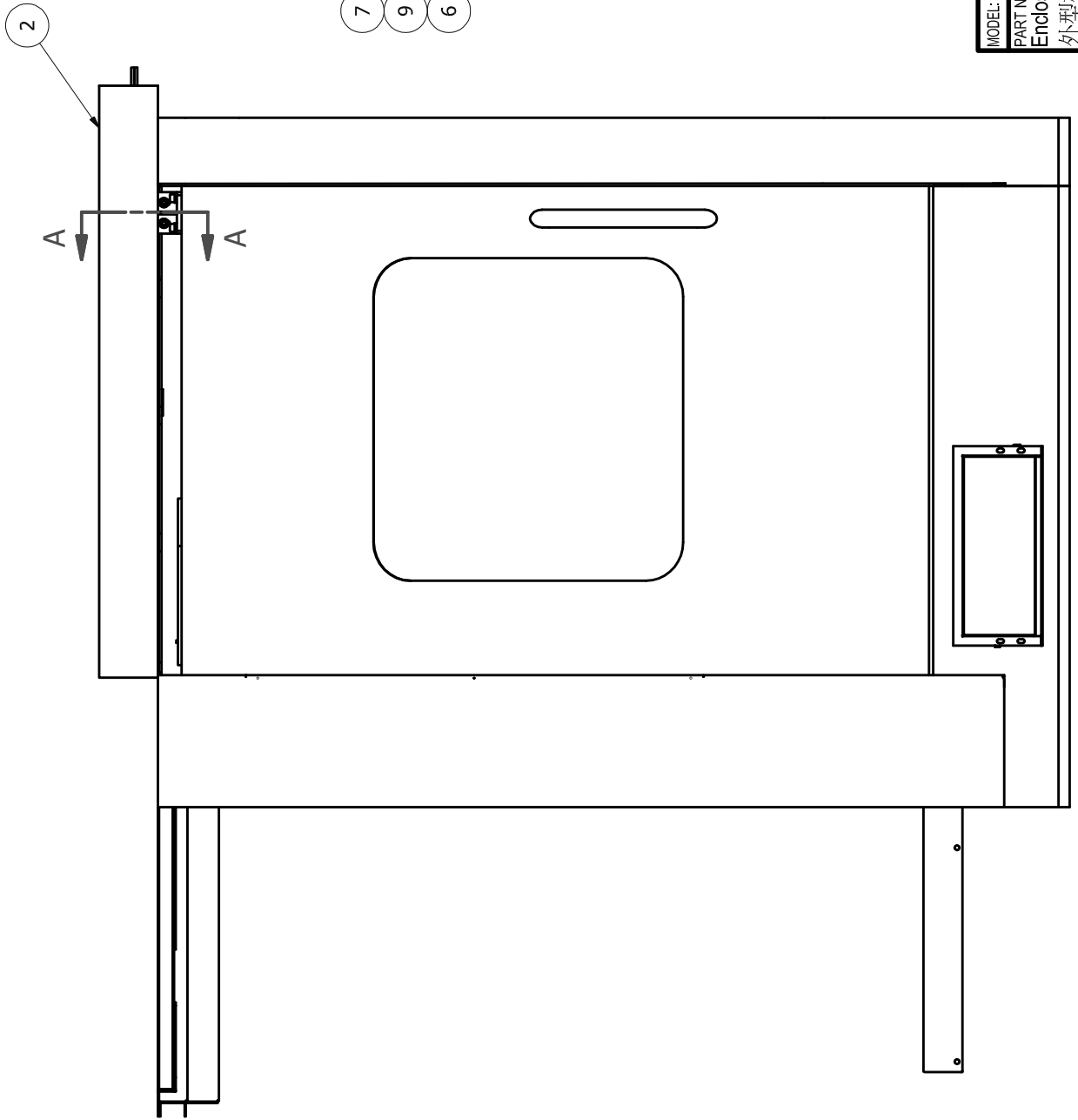
Master Item Part NO.: NL 000253607A

Description: PART PRESENT DETECTOR,SUB SPIN
夾料檢出裝置,第二主軸

Item	Part NO.	Description	中文名稱	Specification	Qty	Unit
1.00	NL 000280415A	PNEUMATIC PARTS(PART PRESENT)	氣壓零組件(夾料檢出裝置)	ASSM	1.00	ST
2.00	NL 000403804A	ADAPTER SEAT	轉接座	D39*L21	1.00	EA
3.01	NLA000799004A	TEST BAR	撥桿	D5.2XL358	1.00	EA
4.00	MS 0103414NI	SOCKET HEAD CAP SCREW (NICKEL)	六角穴圓頭螺絲(鍍鎳)	M4XP0.7XL8	8.00	EA
5.00	MS 0303413NI	BUTTON HD. SOCKET(NICKEL)	六角穴半圓頭螺絲(鍍鎳)	M4XP0.7XL6	4.00	EA
6.00	MS 0553414	SOC SET, CUP POINT	杯型端固定螺絲	M4XP0.7XL8	4.00	EA
7.00	NL 001179211A	COUPLING	剛性聯軸器	SCG-25-D6XD12	1.00	EA

次序	設計變更紀錄	日期	ECN.
A	新繪	2017/5/16	---

出貨請塞上塑膠塞



A-A 剖面

MODEL: TALENT 42151 B	
PART NAME	PART NUMBER
Enclosure (Auto door)B	NL 000023802A
外型板金 (自動門)B	PAGE
DATE 2017/1/11	1 OF 1
SCALE 1:8	REV. A

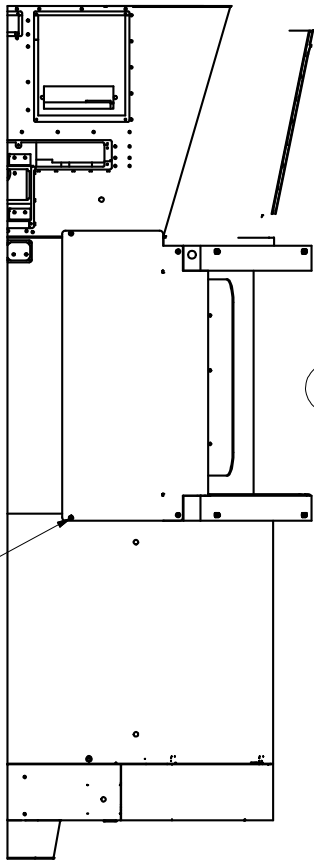
PRODUCT BOM MASTER AND SUB-ITEMS LIST

Master Item Part NO.: NL 000023802A

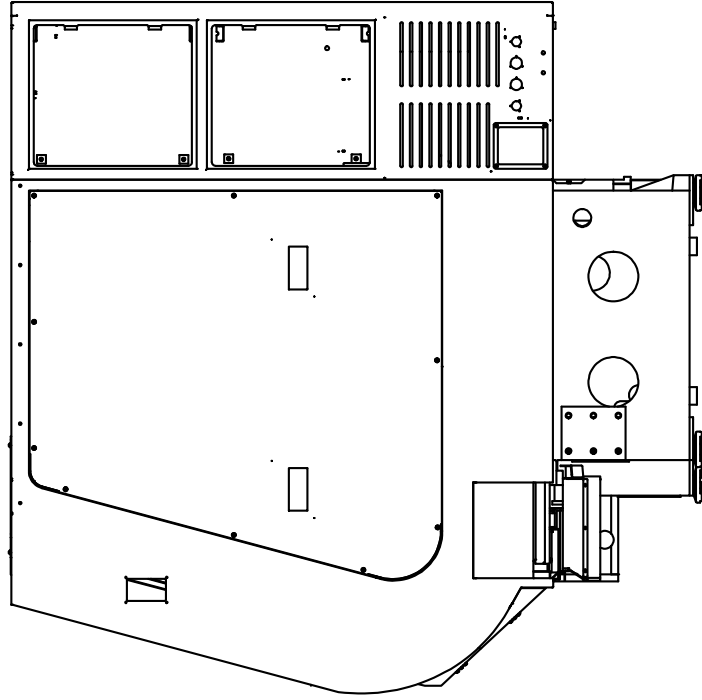
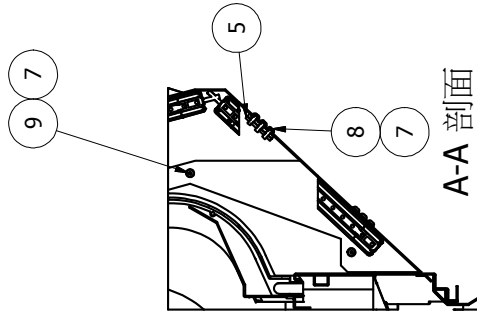
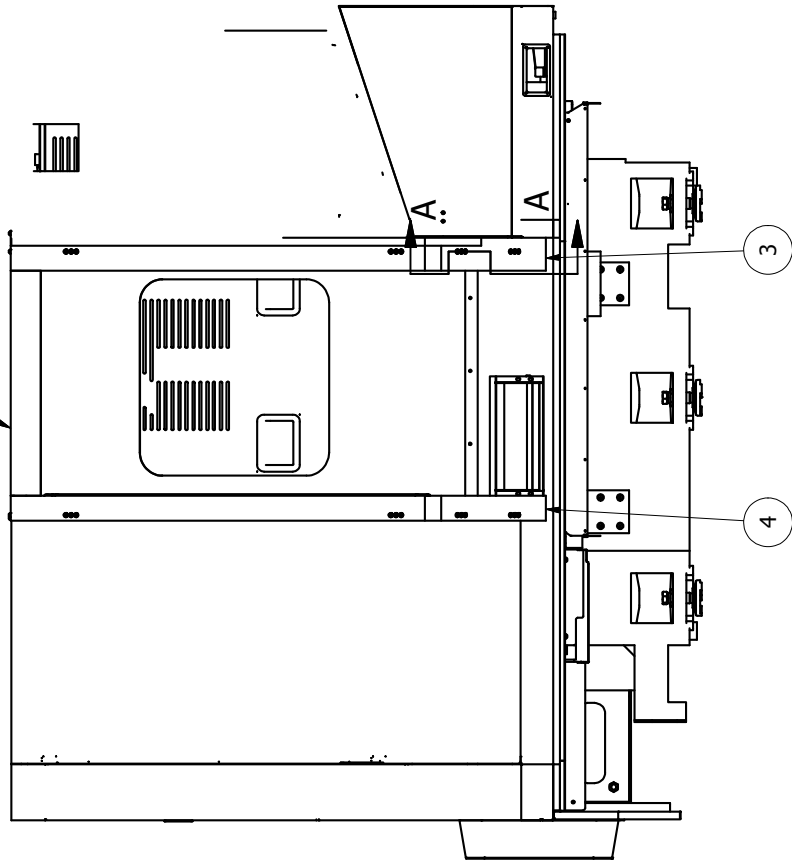
Description: ENCLOSURE (AUTO DOOR)B
外型板金 (自動門)B

Item Part NO.	Description	中文名稱	Specification	Qty	Unit
1.00 GX 000299156P	SET ACTUATOR	電動缸固定座	L745XW60XH97.7	1.00	EA
2.00 NL 000599050A	COVER	電動缸外罩	TEMP	1.00	EA
3.00 NL 000599051A	BRACKET	電動缸支架A	TEMP	1.00	EA
4.00 NL 000599052A	BRACKET	電動缸支架B	TEMP	1.00	EA
5.00 MS 0103618	SOCKET HEAD CAP SCREW	六角六圓頭螺絲	M6XP1.0XL20	4.00	EA
6.00 MS 0103818	SOCKET HEAD CAP SCREW	六角六圓頭螺絲	M8XP1.25XL20	4.00	EA
7.00 MW 0103810	FLAT WASHER	平墊圈	M8 (D8*D22.2)	4.00	EA
8.00 MW 0183610	SPRING WASHER	彈簧墊圈	M6(HEAT TREATMENT)	4.00	EA
9.00 MW 0183810	SPRING WASHER	彈簧墊圈	M8(HEAT TREATMENT)	4.00	EA

次序	設計變更紀錄	日期	ECN.
A	新繪	2018/7/30	1004600



1



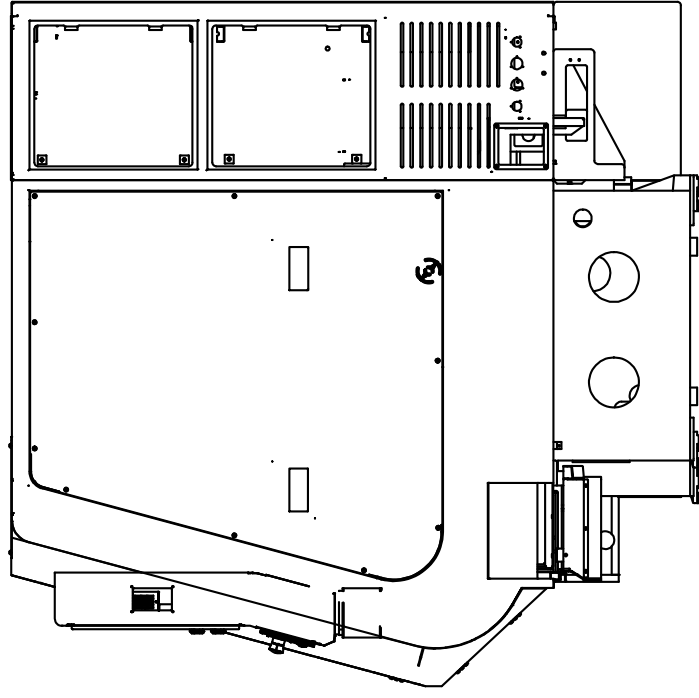
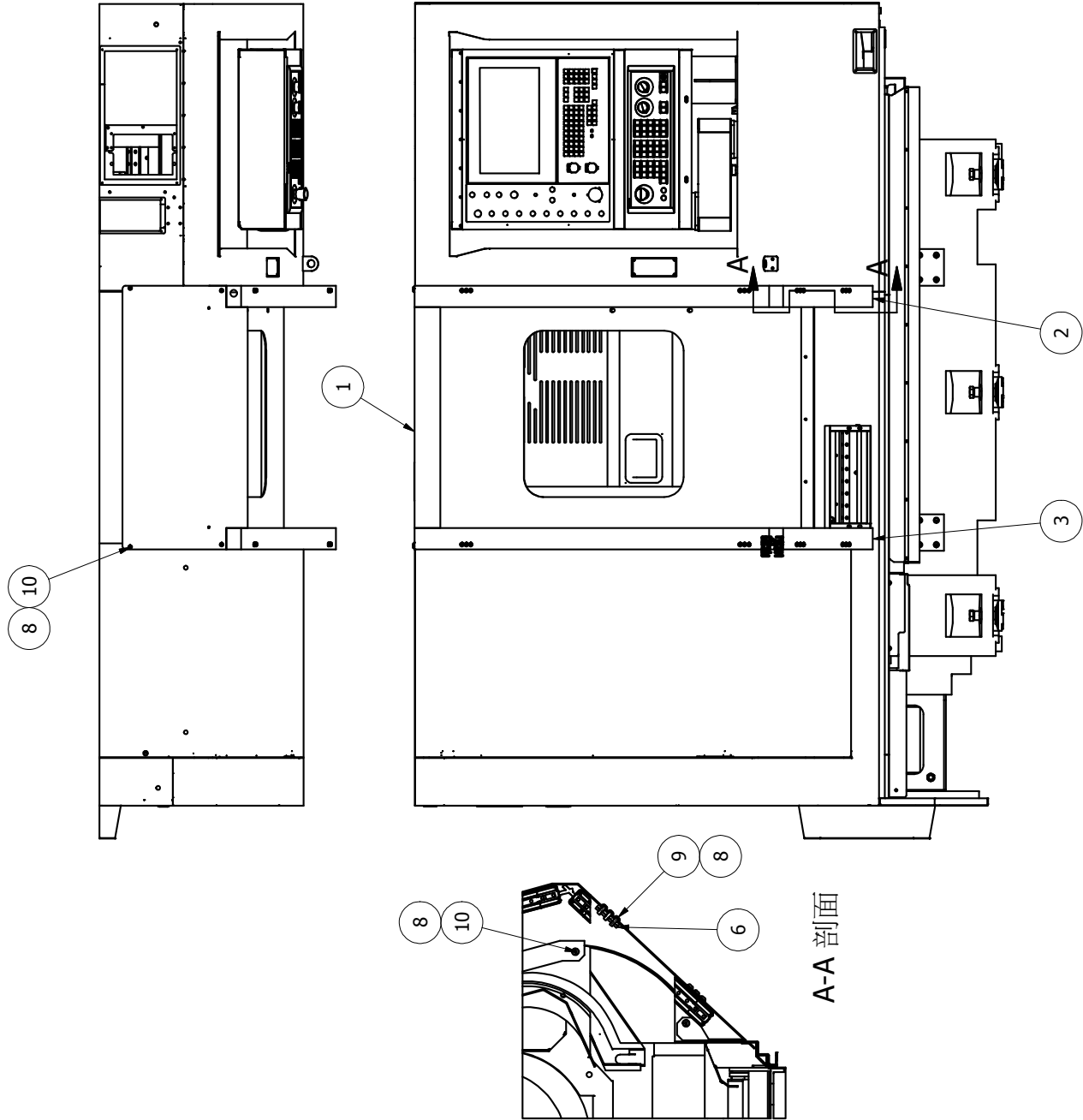
MODEL: TALENT 42/51 A	
PART NAME	PART NUMBER
LIGHT CURTAIN A	NL 001045305A
安全光幕A	PAGE 1 OF 1
DATE 2018/7/27	SCALE 1 : 1
	REV. A

PRODUCT BOM MASTER AND SUB-ITEMS LIST

Master Item Part NO.: NL 001045305A
Description: LIGHT CURTAIN A
安全光幕A

Item Part NO.	Description	中文名稱	Specification	Qty	Unit
1.01	NLA000599062A BRACKET	安全光幕上支架	TEMP	1.00	EA
3.01	NLA000599064A BRACKET	安全光幕支架右	TEMP	1.00	EA
4.02	NLB000399068A BRACKET	安全光幕支架左	TEMP	1.00	EA
5.01	NLA000599053A PLATE	壓板	TEMP	8.00	EA
6.00	BL 001030285A TAG, HEAD	頭部碰撞銘牌	W65XH65	1.00	EA

次序	設計變更紀錄	日期	ECN.
A	新繪	2018/7/30	1004600



MODEL: TALENT 42/51 B

PART NAME
LIGHT CURTAIN B

安全光幕B

PART NUMBER
NL 001045308A

PAGE
1 OF 1

REV.
A

DATE 2017/1/11

SCALE 1:1

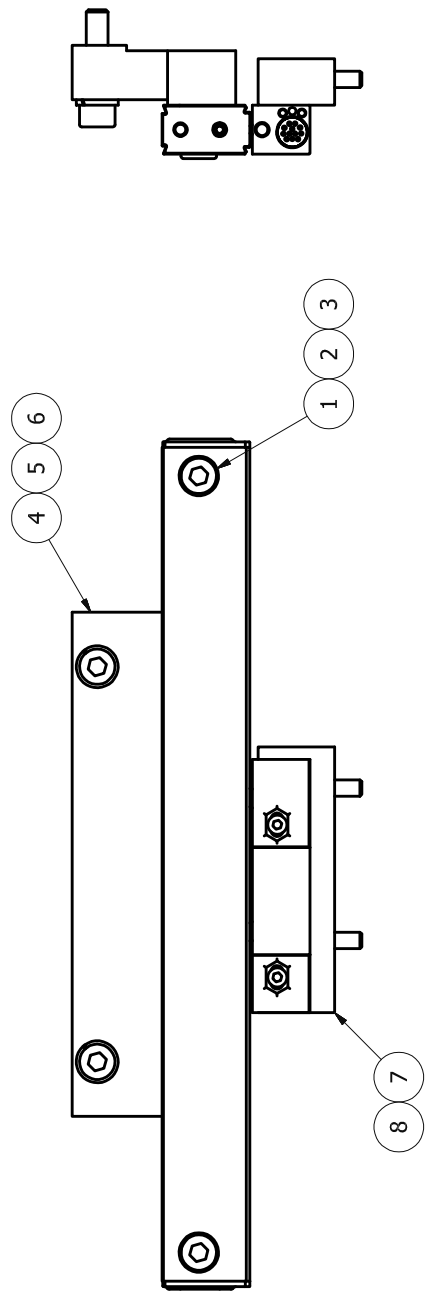
PRODUCT BOM MASTER AND SUB-ITEMS LIST

Master Item Part NO.: NL 001045308A

Description: LIGHT CURTAIN B
安全光幕B

Item Part NO.	Description	中文名稱	Specification	Qty	Unit
1.02	NLB000399067A BRACKET	安全光幕上支架	TEMP	1.00	EA
2.02	NLB000399068A BRACKET	安全光幕支架左	TEMP	1.00	EA
3.02	NLB000399069A BRACKET	安全光幕支架右	TEMP	1.00	EA
5.01	NLA000599053A PLATE	壓板	TEMP	8.00	EA
6.00	BL 001030285A TAG, HEAD	頭部碰撞銘牌	W65XH65	1.00	EA
8.00	MW 0183610NI SPRING WASHER (NICKEL)	彈簧墊圈(鍍鎳)	M6(HEAT TREATMENT)	36.00	EA
9.00	MS 0303617NI BUTTON HD. SOCKET (NICKEL)	六角六半圓頭螺絲(鍍鎳)	M6XP1.0XL16(ST:12.9)	24.00	EA
10.00	MS 0303616NI BUTTON HD. SOCKET (NICKEL)	六角六半圓頭螺絲(鍍鎳)	M6XP1.0XL12(ST:12.9)	12.00	EA

PARTS LIST				
ITEM	PART NUMBER	QTY	DESCRIPTION	TIGHTENING TORQUE (N·m)
1	NL 00028340310	1	光學尺, [FAGOR]SAF50-170-5-A	
2	MS 0103819	2	六角穴圓頭螺絲 M8xP1.25x25L	
3	MS 0103418	2	六角穴圓頭螺絲 M4*P0.7*20L	
4	NL1001066104A	1	光學尺座-Y軸	
5	MS 0103821	2	六角穴圓頭螺絲	35
6	MW 0183810	2	彈簧墊圈	
7	NL1001066107A	1	光學尺讀頭座-Y軸	
8	MS 0103619	2	六角穴圓頭螺絲, M6xP1.0x25L	15



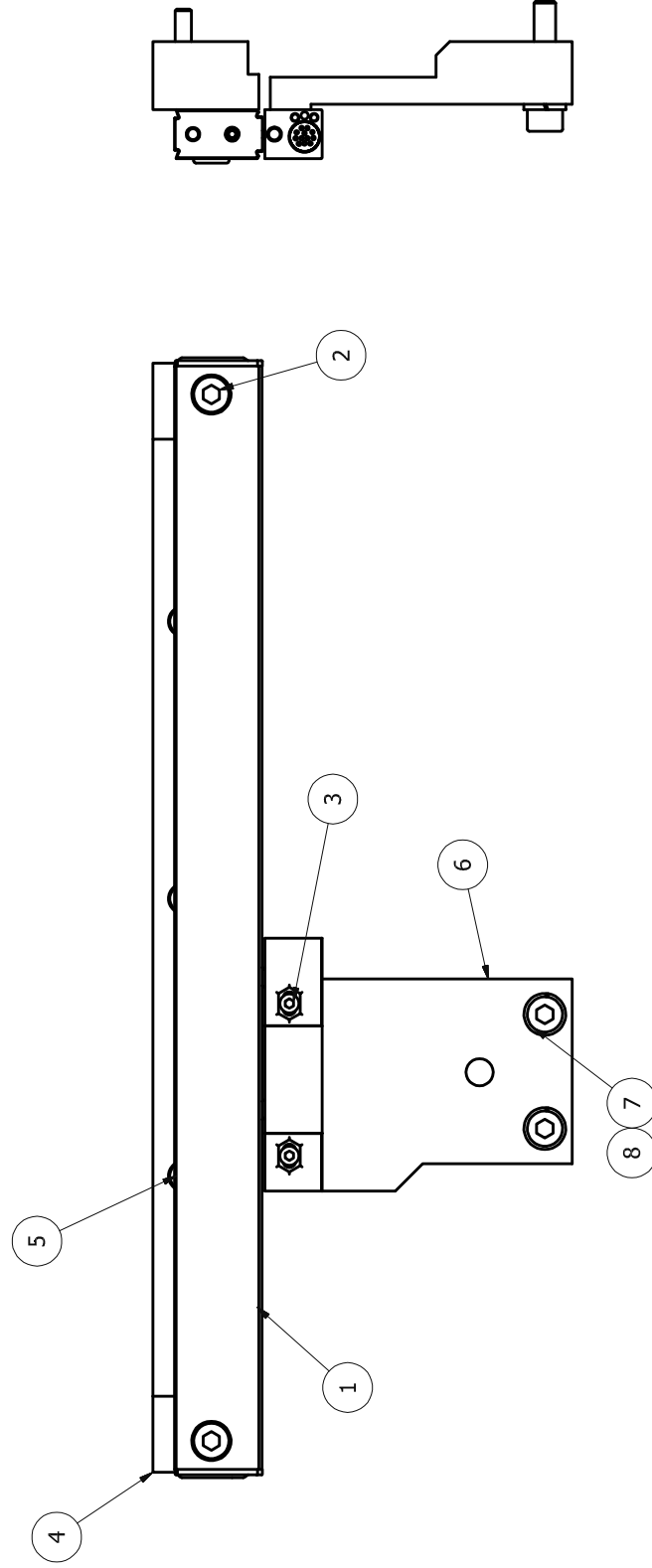
PRODUCT BOM MASTER AND SUB-ITEMS LIST

Master Item Part NO.: NL 000022402A

Description: OPTICAL-Y AXIS (FANUC)
(FANUC) 光學尺-Y軸

Item Part NO.	Description	中文名稱	Specification	Qty	Unit
1.00 NL 00028340310	LINEAR SCALE, Y-AXIS	Y軸光學尺[FAGOR]	[FAGOR]SAF50-170-5-A	1.00	ST
2.00 MS 0103819	SOCKET HEAD CAP SCREW	六角穴圓頭螺絲	M8XP1.25XL25	2.00	EA
3.00 MS 0103418	SOCKET HEAD CAP SCREW	六角穴圓頭螺絲	M4XP0.7XL20	2.00	EA
4.01 NL 001066104A	BRACKET, Y-AXIS OPTICAL SCALE	光學尺座-Y軸	L3081XW60XH22	1.00	EA
5.00 MS 0103821	SOCKET HEAD CAP SCREW	六角穴圓頭螺絲	M8XP1.25XL35	2.00	EA
6.00 MW 0183810	SPRING WASHER	彈簧墊圈	M8(HEAT TREATMENT)	2.00	EA
7.01 NL 001066107A	BRACKET, Y-AXIS OPTICAL SCALE	光學尺讀頭座-Y軸	L97.5XW28XH17	1.00	EA
8.00 MS 0103619	SOCKET HEAD CAP SCREW	六角穴圓頭螺絲	M6XP1.0XL25	2.00	EA

PARTS LIST				
ITEM	PART NUMBER	QTY	DESCRIPTION	TIGHTENING TORQUE (N-m)
1	NL 00028340309	1	光學尺, [FAGOR]SAF50-270-5-A	
2	MS 0103820	2	六角穴圓頭螺絲, M8XP1.25XL30	22
3	MS 0103418	2	六角穴圓頭螺絲, M4*P0.7*20L	2.5
4	NL1001066115A	1	光學尺座-X軸	
5	MS 0103620	3	六角穴圓頭螺絲	15
6	NL1001066102A	1	光學尺讀頭座-X軸	
7	MS 0103822	2	六角穴圓頭螺絲, M8x1.25x40L	35
8	MW 0183810	2	彈簧墊圈	



MODEL: TALENT 42/51

PART NAME
OPTICAL-X AXIS (FANUC)
(FANUC) 光學尺-X軸

PART NUMBER
NL 000022401A

PAGE
1 OF 1

REV.
A

SCALE
1 : 2

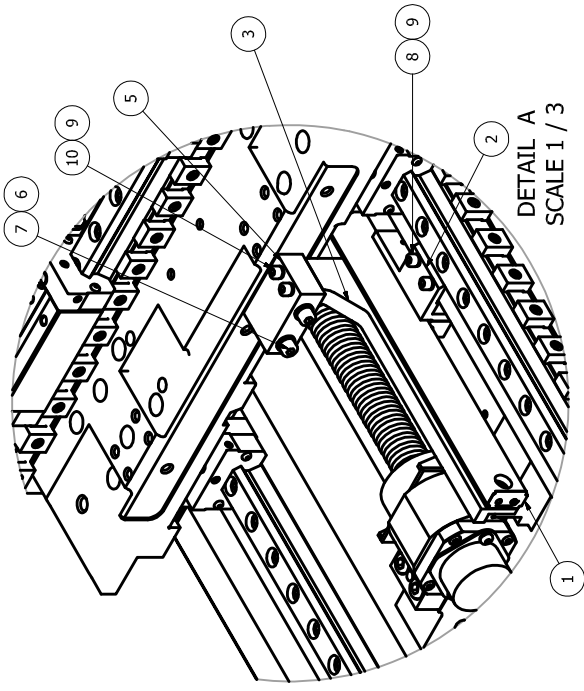
DATE
2015/12/13

PRODUCT BOM MASTER AND SUB-ITEMS LIST

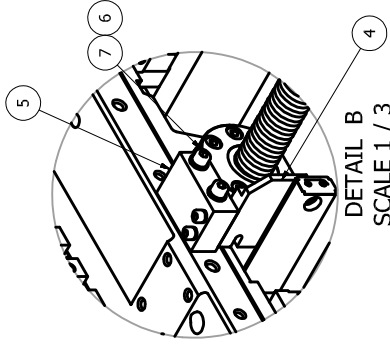
Master Item Part NO.: NL 000022401A

Description: OPTICAL-X AXIS (FANUC)
(FANUC) 光學尺-X軸

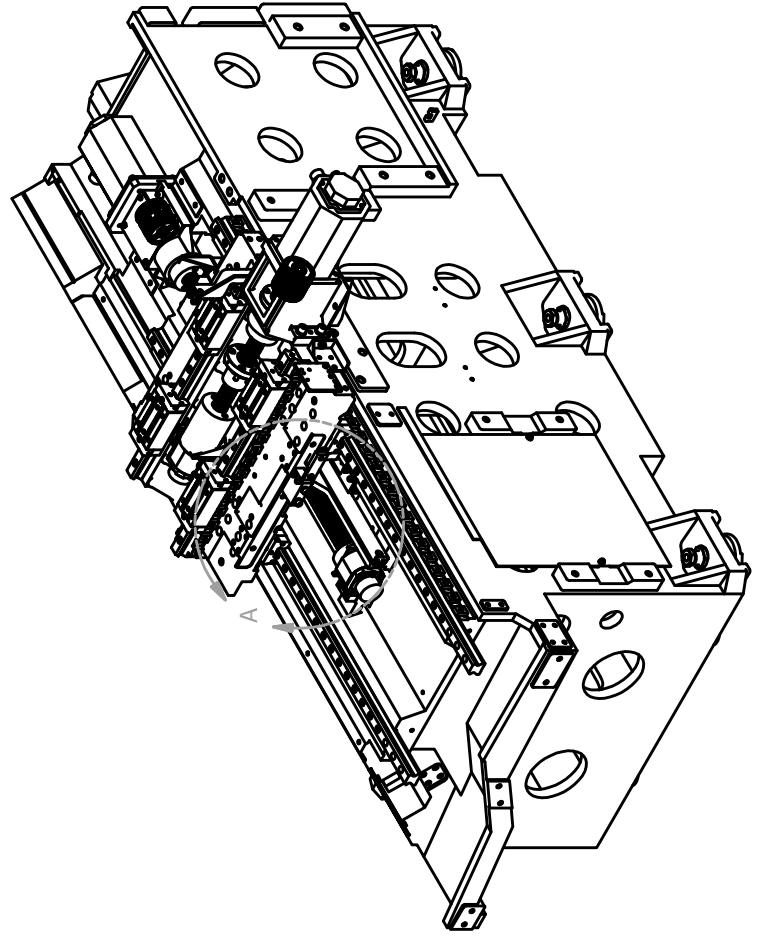
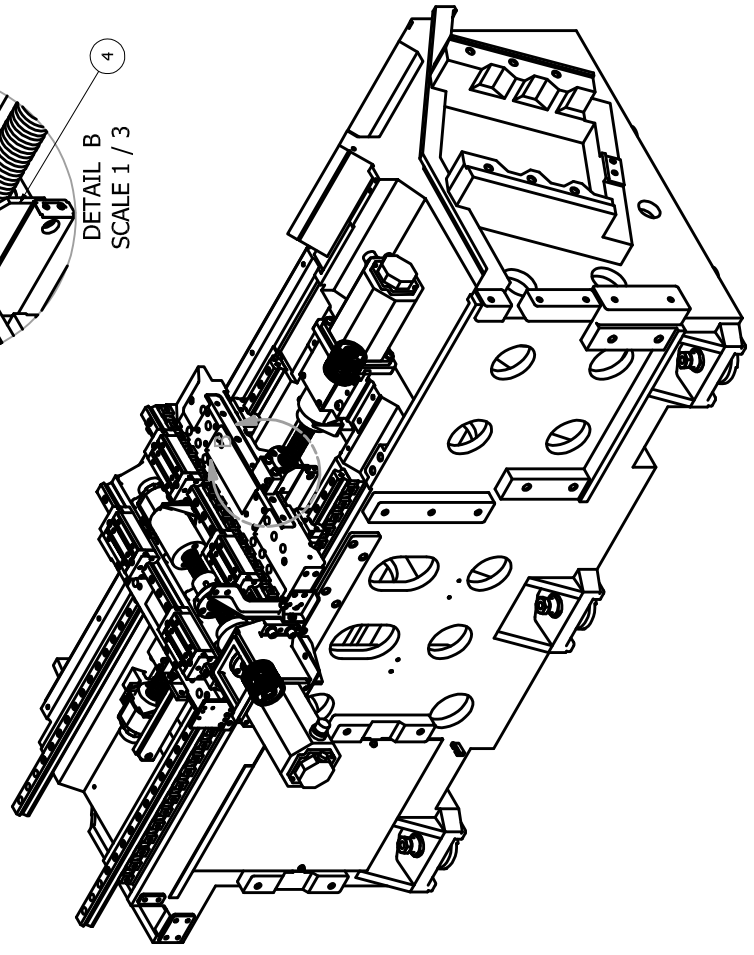
Item Part NO.	Description	中文名稱	Specification	Qty	Unit
1.00 NL 00028340309	LINEAR SCALE, X-AXIS	X軸光學尺[FAGOR]	[FAGOR]SAF50-270-5-A	1.00	ST
2.00 MS 0103820	SOCKET HEAD CAP SCREW	六角穴圓頭螺絲	M8XP1.25XL30	2.00	EA
3.00 MS 0103418	SOCKET HEAD CAP SCREW	六角穴圓頭螺絲	M4XP0.7XL20	2.00	EA
4.01 NL 0010666115A	BRACKET, X-AXIS OPTICAL SCALE	光學尺座-X軸	L408XW39XH35	1.00	EA
5.00 MS 0103620	SOCKET HEAD CAP SCREW	六角穴圓頭螺絲	M6XP1.0XL30	3.00	EA
6.01 NL 0010666102A	BRACKET, X-AXIS OPTICAL SCALE	光學尺讀頭座-X軸	L111XW78XH35	1.00	EA
7.00 MS 0103822	SOCKET HEAD CAP SCREW	六角穴圓頭螺絲	M8XP1.25XL40	2.00	EA
8.00 MW 0183810	SPRING WASHER	彈簧墊圈	M8(HEAT TREATMENT)	2.00	EA



DETAIL A
 SCALE 1 / 3



DETAIL B
 SCALE 1 / 3



MODEL: TALENT-4251

PART NAME
 OPTICAL-Z AXIS (FANUC)
 光學 Z 軸 (FANUC)

PART NUMBER
 NIL 000022403A

PAGE
 1 OF 1

DATE 2016/10/7

SCALE 1:10

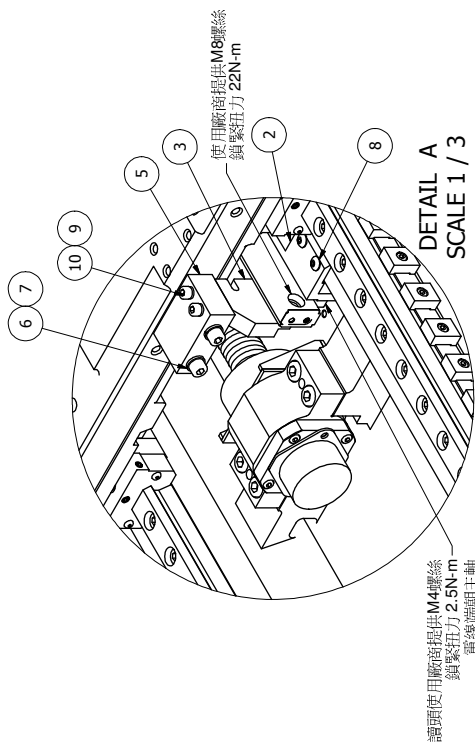
REV.

PRODUCT BOM MASTER AND SUB-ITEMS LIST

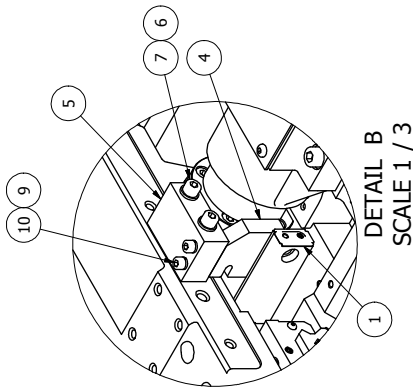
Master Item Part NO.: NL 000022403A

Description: OPTICAL-Y AXIS (FANUC)
(FANUC) 光學尺-Z軸 (P150/200B)

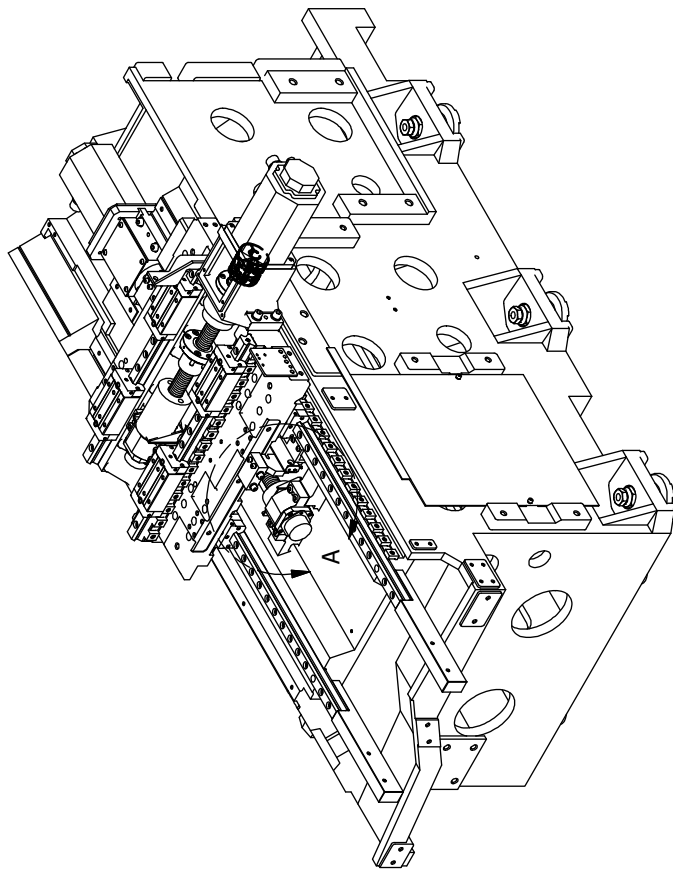
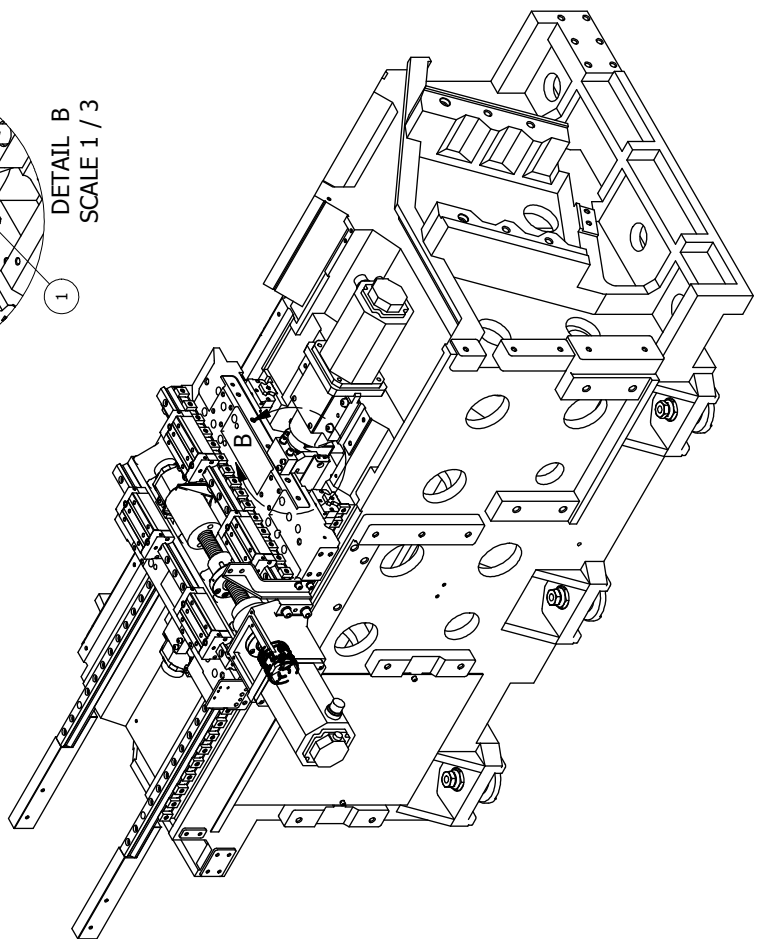
Item Part NO.	Description	中文名稱	Specification	Qty	Unit
1.00 NL 00028340311	LINEAR SCALE, Z-AXIS	Z軸光學尺[FAGOR]	[FAGOR]SAF50-720-5-A	1.00	ST
2.01 NL 001066151A	BRACKET, OPTICAL SCALE READER	光學尺讀頭座	L93XW40XH32	1.00	EA
3.01 NL 001066141A	BRACKET, LINEAR SCALE	Z軸右側光學尺支架	L280*W66*H15	1.00	EA
4.01 NL 001066142A	BRACKET,Z-AXIS OPTICAL SCALE	Z軸左側光學尺支架	L75XW66XH15	1.00	EA
5.00 NL 001066150A	BRACKET, LINEAR SCALE BRACKET	光學尺支撐架座	L66XW45XH24	2.00	EA
6.00 MW 0183810	SPRING WASHER	彈簧墊圈	M8(HEAT TREATMENT)	4.00	EA
7.00 MS 0103826	SOCKET HEAD CAP SCREW	六角六圓頭螺絲	M8XP1.25XL60全牙	4.00	EA
8.00 MS 0103617	SOCKET HEAD CAP SCREW	六角六圓頭螺絲	M6XP1.0XL16	2.00	EA
9.00 MW 0183610	SPRING WASHER	彈簧墊圈	M6(HEAT TREATMENT)	6.00	EA
10.00 MS 0103621	SOCKET HEAD CAP SCREW(SUS)	六角六圓頭螺絲	M6XP1.0XL35	4.00	EA



DETAIL A
SCALE 1 / 3



DETAIL B
SCALE 1 / 3



MODEL: TALENT 42/51 A	PART NUMBER	SCALE	REV.
PART NAME	NL 000022404A	1:10	A
(FANUC) 光學 Z 軸	PAGE	1 OF 1	
DATE	2018/4/27		

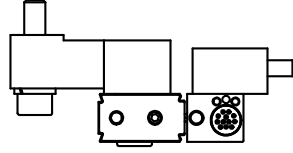
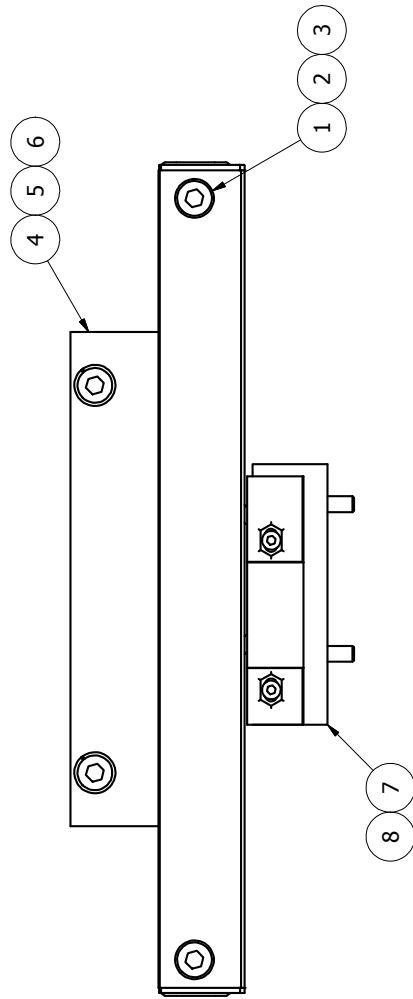
PRODUCT BOM MASTER AND SUB-ITEMS LIST

Master Item Part NO.: NL 000022404A

Description: OPTICAL-Y AXIS (FANUC)
(FANUC) 光學尺-Z軸 (A)

Item Part NO.	Description	中文名稱	Specification	Qty	Unit
1.00	NL 00028340312 LINEAR SCALE, Z-AXIS	Z軸光學尺[FAGOR]	[FAGOR]SAF50-470-5-A	1.00	ST
2.00	NL 001066151A BRACKET, OPTICAL SCALE READER	光學尺讀頭座	L93XW40XH32	1.00	EA
3.00	NL 001066156A BRACKET, LINEAR SCALE	Z軸右側光學尺支架	L66*W50*H15	1.00	EA
4.00	NL 001066157A BRACKET,Z-AXIS OPTICAL SCALE	Z軸左側光學尺支架	L66XW50XH15	1.00	EA
5.00	NL 001066150A BRACKET, LINEAR SCALE BRACKET	光學尺支撐架座	L66XW45XH24	2.00	EA
6.00	MW 0183810 SPRING WASHER	彈簧墊圈	M8(HEAT TREATMENT)	4.00	EA
7.00	MS 0103826 SOCKET HEAD CAP SCREW	六角六圓頭螺絲	M8XP1.25XL60全牙	4.00	EA
8.00	MS 0303617 BUTTON HD. SOCKET	六角六半圓頭螺絲	M6XP1.0XL16	2.00	EA
9.00	MW 0183610 SPRING WASHER	彈簧墊圈	M6(HEAT TREATMENT)	4.00	EA
10.00	MS 0103621 SOCKET HEAD CAP SCREW(SUS)	六角六圓頭螺絲	M6XP1.0XL35	4.00	EA

次序	設計變更紀錄	日期	ECN.
A	新繪	2018/4/20	



MODEL: TALENT 42/51

PART NAME
OPTICAL-Y AXIS (SIEMENS)
(SIEMENS) 光學尺-Y軸

PART NUMBER
NL 000022406A

PAGE
1 OF 1

REV.
A

SCALE
1 : 2

DATE
2018/4/20

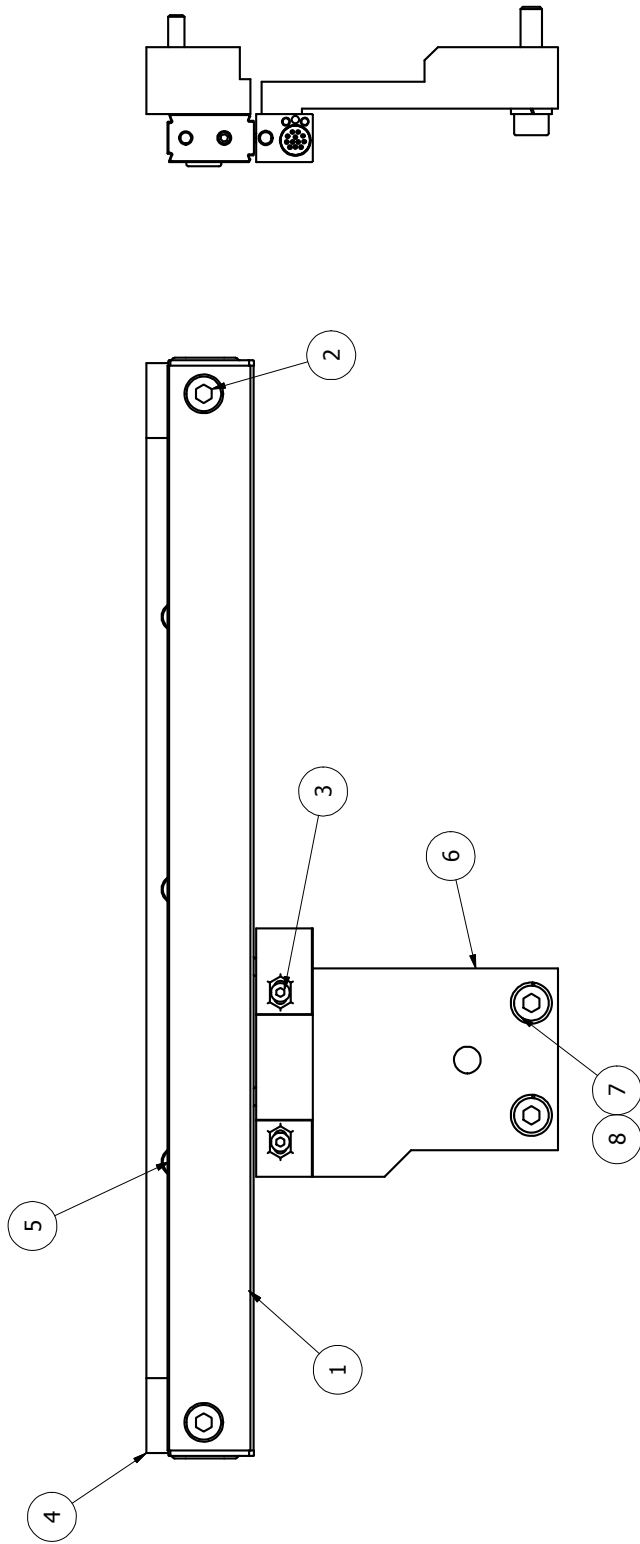
PRODUCT BOM MASTER AND SUB-ITEMS LIST

Master Item Part NO.: NL 000022406A

Description: OPTICAL-Y AXIS (SIEMENS)
(SIEMENS) 光學尺-Y軸

Item Part NO.	Description	中文名稱	Specification	Qty	Unit
1.02	NLA00028340315 LINEAR SCALE,	光學尺[FAGOR]	[FAGOR]S2AD50-170-5-A	1.00	ST
2.00	MS 0103819 SOCKET HEAD CAP SCREW	六角穴圓頭螺絲	M8XP1.25XL25	2.00	EA
3.00	MS 0103418 SOCKET HEAD CAP SCREW	六角穴圓頭螺絲	M4XP0.7XL20	2.00	EA
4.00	NL 001066104A BRACKET, Y-AXIS OPTICAL SCALE	光學尺座-Y軸	L3081XW60XH22	1.00	EA
5.00	MS 0103821 SOCKET HEAD CAP SCREW	六角穴圓頭螺絲	M8XP1.25XL35	2.00	EA
6.00	MW 0183810 SPRING WASHER	彈簧墊圈	M8(HEAT TREATMENT)	2.00	EA
7.00	NL 001066107A BRACKET, Y-AXIS OPTICAL SCALE	光學尺讀頭座-Y軸	L97.5XW28XH17	1.00	EA
8.00	MS 0103619 SOCKET HEAD CAP SCREW	六角穴圓頭螺絲	M6XP1.0XL25	2.00	EA

次序	設計變更紀錄	日期	ECN.
A	新繪	2015/12/13	



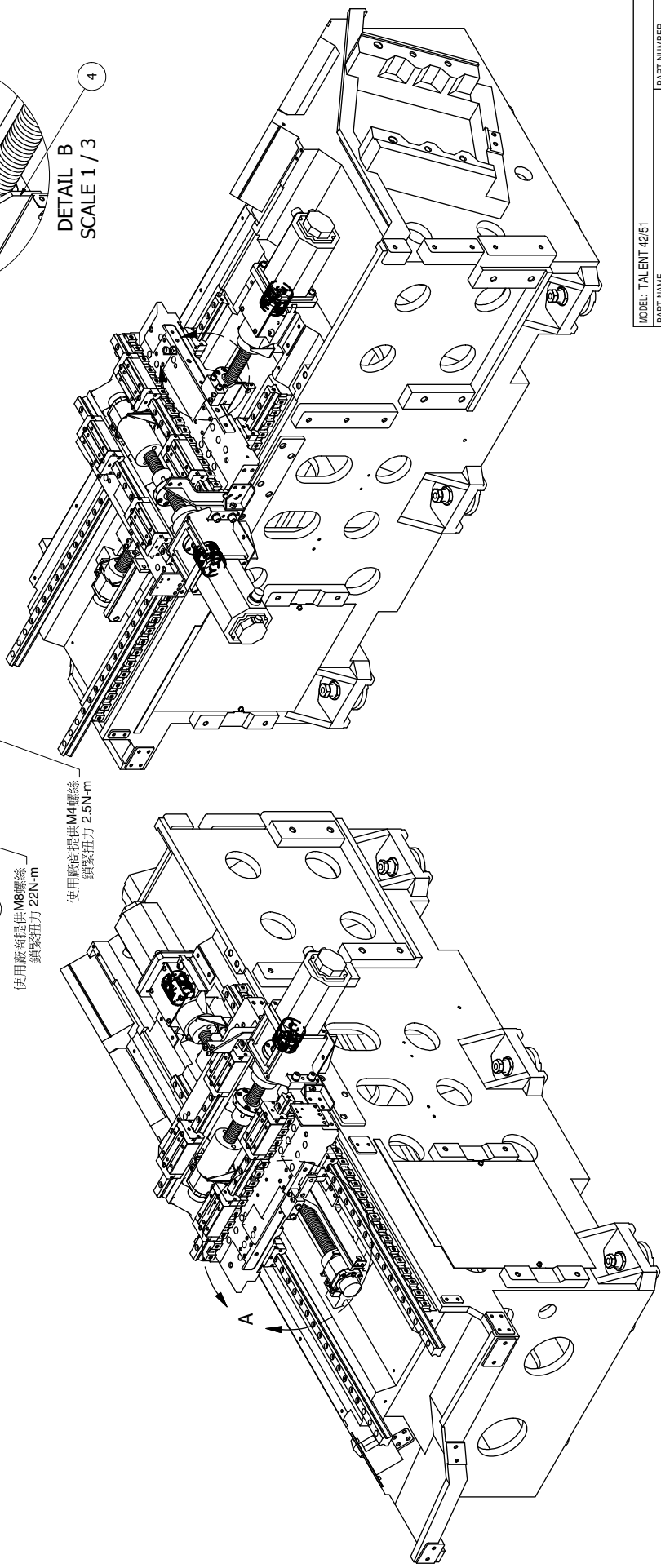
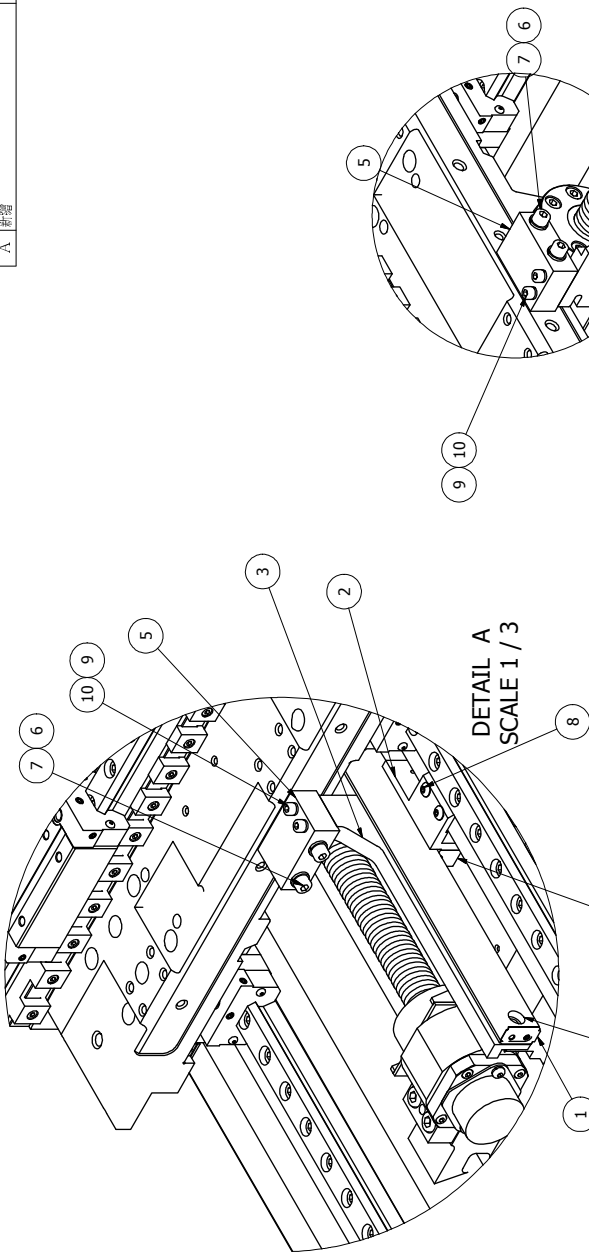
MODEL: TALENT 42/51	
PART NAME	PART NUMBER
OPTICAL-X AXIS (SIEMENS)	NL 000022407A
(SIEMENS) 光學尺-X軸	PAGE
	1 OF 1
DATE	SCALE
2018/4/20	1 : 2
	REV.
	A

PRODUCT BOM MASTER AND SUB-ITEMS LIST

Master Item Part NO.: NL 000022407A

Description: OPTICAL-X AXIS (SIEMENS)
(SIEMENS) 光學尺-X軸

Item Part NO.	Description	中文名稱	Specification	Qty	Unit
1.02	NLA00028340316 LINEAR SCALE,	光學尺[FAGOR]	[FAGOR]S2AD50-270-5-A	1.00	ST
2.00	MS 0103820 SOCKET HEAD CAP SCREW	六角穴圓頭螺絲	M8XP1.25XL30	2.00	EA
3.00	MS 0103418 SOCKET HEAD CAP SCREW	六角穴圓頭螺絲	M4XP0.7XL20	2.00	EA
4.00	NL 001066115A BRACKET, X-AXIS OPTICAL SCALE	光學尺座-X軸	L408XW39XH35	1.00	EA
5.00	MS 0103620 SOCKET HEAD CAP SCREW	六角穴圓頭螺絲	M6XP1.0XL30	3.00	EA
6.00	NL 001066102A BRACKET, X-AXIS OPTICAL SCALE	光學尺讀頭座-X軸	L111XW78XH35	1.00	EA
7.00	MS 0103822 SOCKET HEAD CAP SCREW	六角穴圓頭螺絲	M8XP1.25XL40	2.00	EA
8.00	MW 0183810 SPRING WASHER	彈簧墊圈	M8(HEAT TREATMENT)	2.00	EA

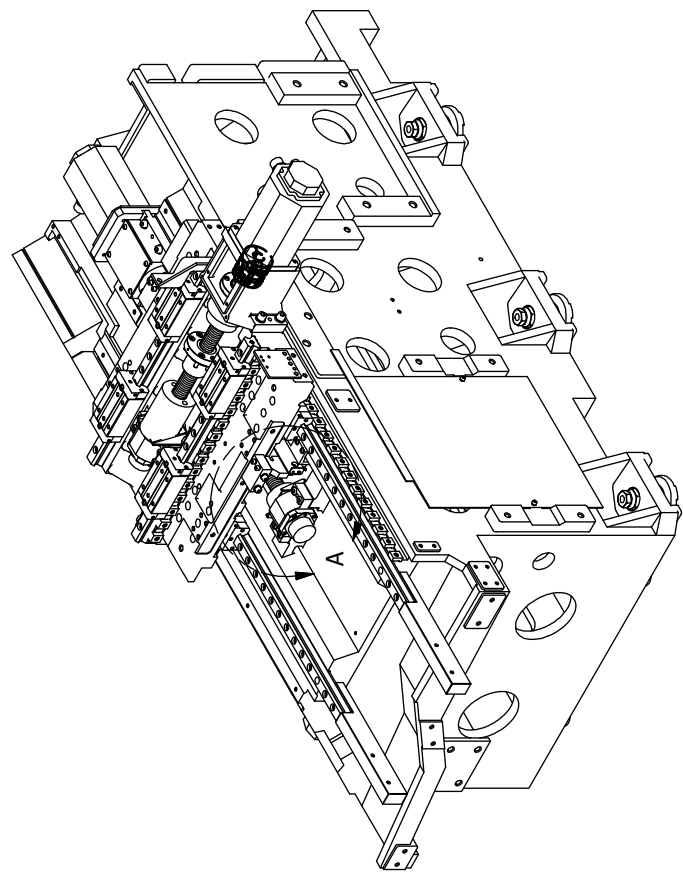
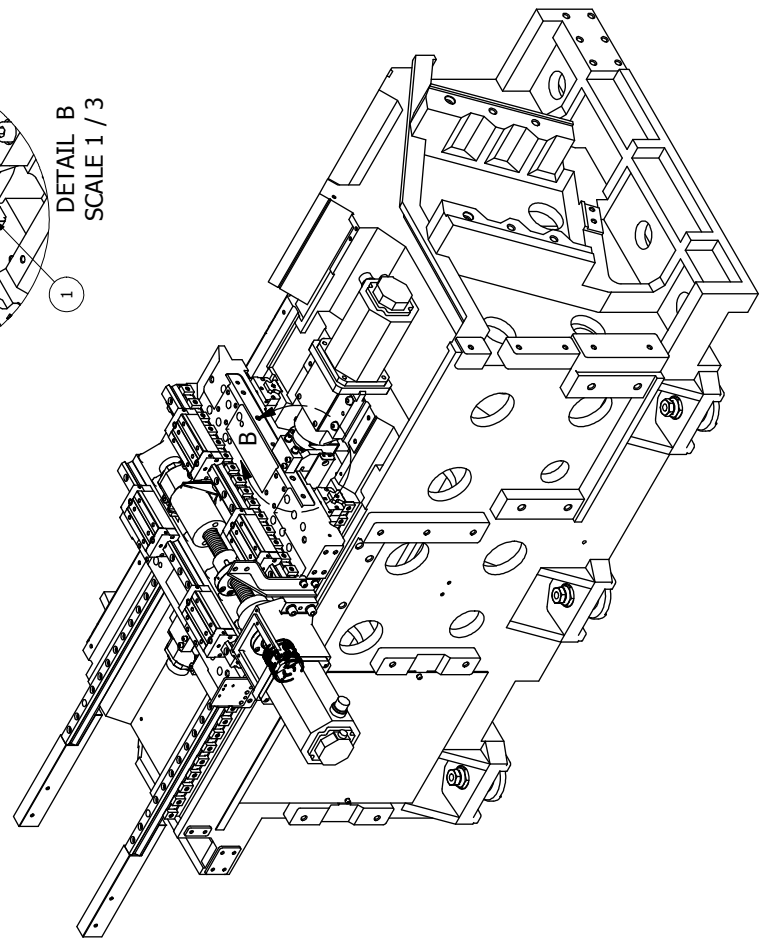
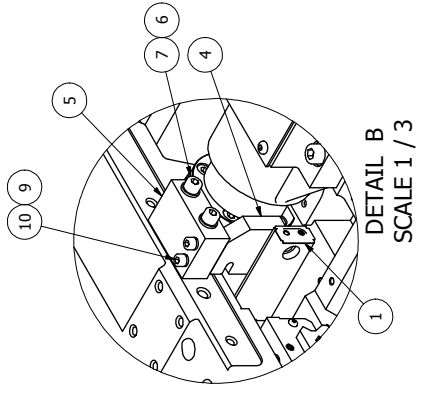
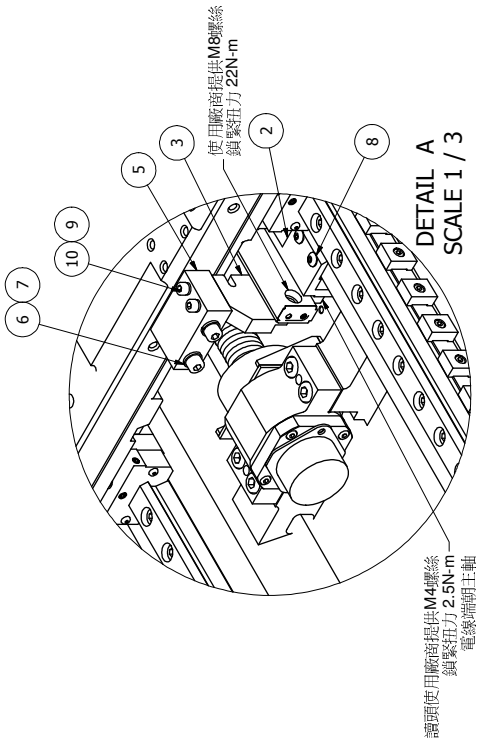


PRODUCT BOM MASTER AND SUB-ITEMS LIST

Master Item Part NO.: NL 000022408A

Description: OPTICAL-Z AXIS (SIEMENS)
(SIEMENS) 光學尺-Z軸

Item Part NO.	Description	中文名稱	Specification	Qty	Unit
1.02	NLA00028340321 LINEAR SCALE,	光學尺[FAGOR]	[FAGOR]S2AD50-720-5-A	1.00	ST
2.00	NL 001066151A BRACKET, OPTICAL SCALE READER	光學尺讀頭座	L93XW40XH32	1.00	EA
3.00	NL 001066141A BRACKET, LINEAR SCALE	Z軸右側光學尺支架	L280*W66*H15	1.00	EA
4.00	NL 001066142A BRACKET,Z-AXIS OPTICAL SCALE	Z軸左側光學尺支架	L75XW66XH15	1.00	EA
5.00	NL 001066150A BRACKET, LINEAR SCALE BRACKET	光學尺支撐架座	L66XW45XH24	2.00	EA
6.00	MW 0183810 SPRING WASHER	彈簧墊圈	M8(HEAT TREATMENT)	4.00	EA
7.00	MS 0103826 SOCKET HEAD CAP SCREW	六角六圓頭螺絲	M8XP1.25XL60全牙	4.00	EA
8.00	MS 0303617 BUTTON HD. SOCKET	六角六半圓頭螺絲	M6XP1.0XL16	2.00	EA
9.00	MW 0183610 SPRING WASHER	彈簧墊圈	M6(HEAT TREATMENT)	4.00	EA
10.00	MS 0103621 SOCKET HEAD CAP SCREW(SUS)	六角六圓頭螺絲	M6XP1.0XL35	4.00	EA



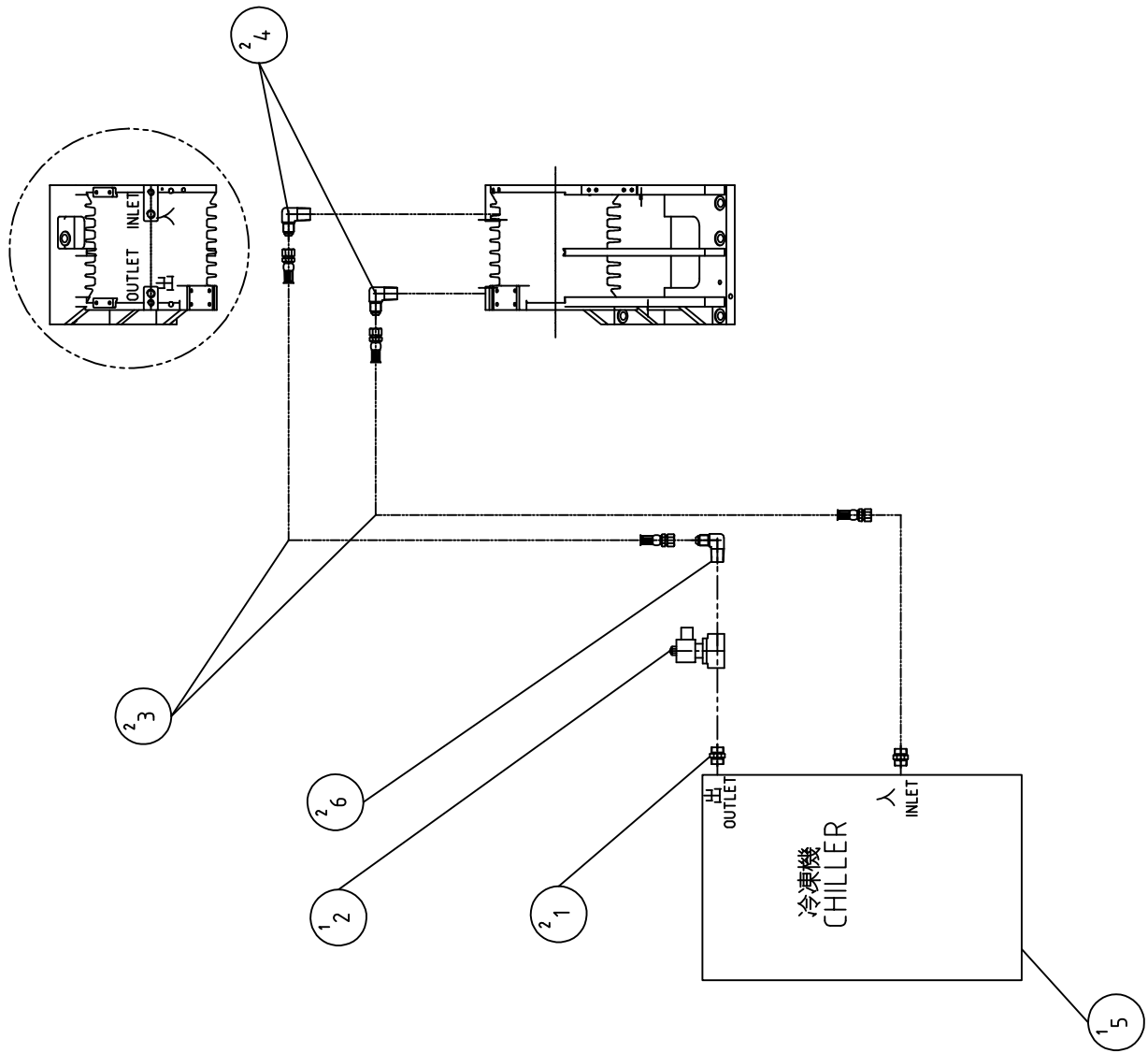
PRODUCT BOM MASTER AND SUB-ITEMS LIST

Master Item Part NO.: NL 000022409A

Description: OPTICAL-Y AXIS (SIEMENS)
(SIEMENS) 光學尺-Z軸 (A)

Item Part NO.	Description	中文名稱	Specification	Qty	Unit
1.02	NLA00028340318 LINEAR SCALE,	光學尺[FAGOR]	[FAGOR]S2AD50-470-5-A	1.00	ST
2.00	NL 001066151A BRACKET, OPTICAL SCALE READER	光學尺讀頭座	L93XW40XH32	1.00	EA
3.00	NL 001066156A BRACKET, LINEAR SCALE	Z軸右側光學尺支架	L66*W50*H15	1.00	EA
4.00	NL 001066157A BRACKET,Z-AXIS OPTICAL SCALE	Z軸左側光學尺支架	L66XW50XH15	1.00	EA
5.00	NL 001066150A BRACKET, LINEAR SCALE BRACKET	光學尺支撐架座	L66XW45XH24	2.00	EA
6.00	MW 0183810 SPRING WASHER	彈簧墊圈	M8(HEAT TREATMENT)	4.00	EA
7.00	MS 0103826 SOCKET HEAD CAP SCREW	六角六圓頭螺絲	M8XP1.25XL60全牙	4.00	EA
8.00	MS 0303617 BUTTON HD. SOCKET	六角六半圓頭螺絲	M6XP1.0XL16	2.00	EA
9.00	MW 0183610 SPRING WASHER	彈簧墊圈	M6(HEAT TREATMENT)	4.00	EA
10.00	MS 0103621 SOCKET HEAD CAP SCREW(SUS)	六角六圓頭螺絲	M6XP1.0XL35	4.00	EA

REV	DESCRIPTION	DATE	EDL
A	改訂	2017/6/16	



MODEL: TALENT 42/51	
PART NAME	PART NUMBER
HYDRAULIC PIPE LAYOUT (CHILLER)	NL 000013375A
DATE 2017/6/16	SCALE 1:16
REV. A	PAGE 1 OF 1

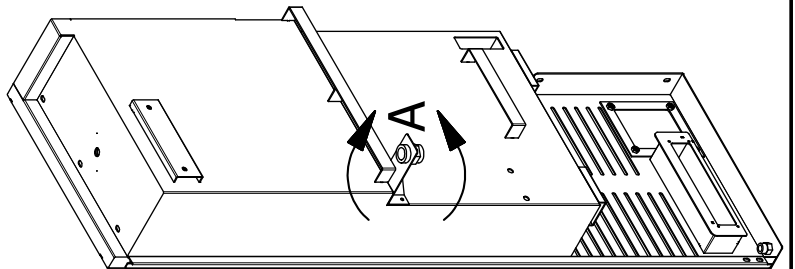
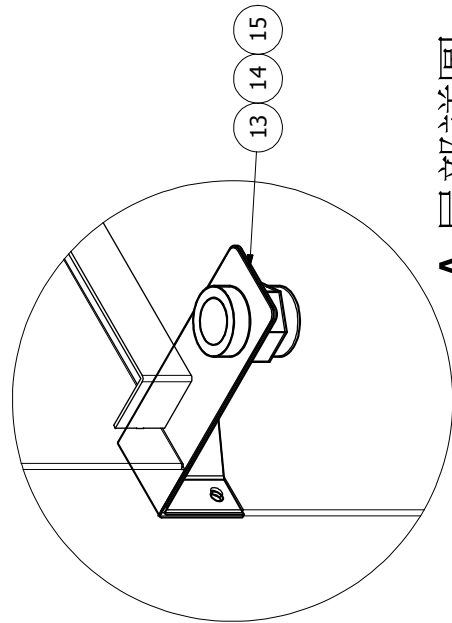
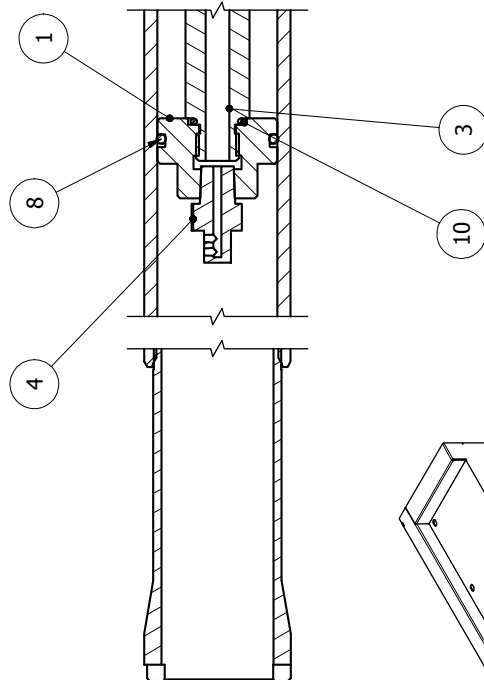
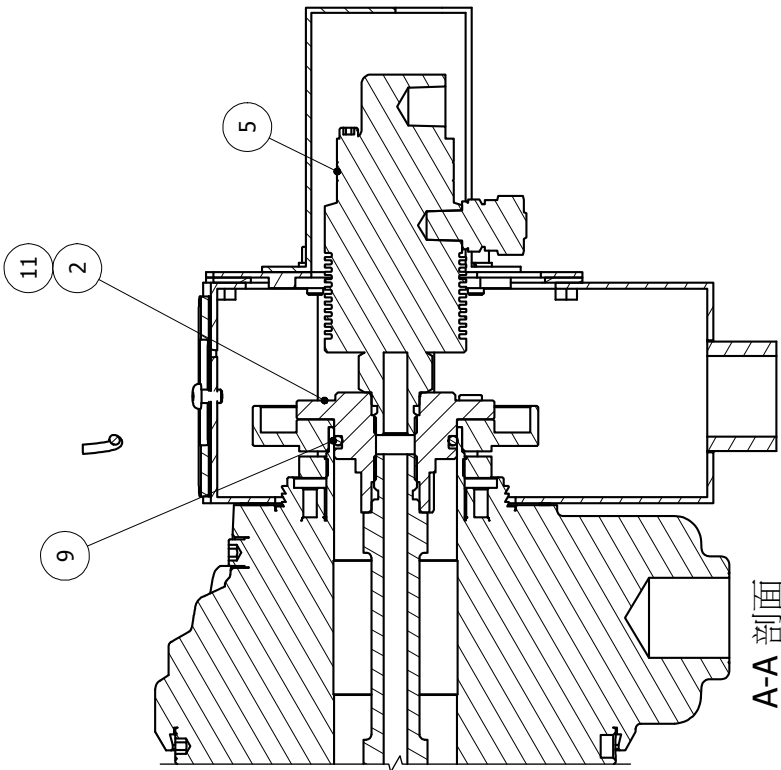
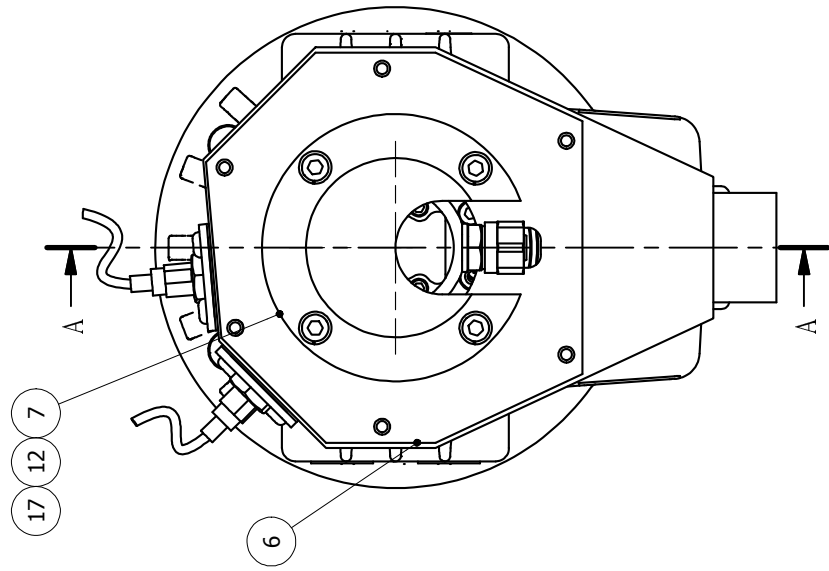
PRODUCT BOM MASTER AND SUB-ITEMS LIST

Master Item Part NO.: NL 000013375A

Description: HYDRAULIC PIPE LAYOUT(CHILLER)
冷凍機油壓管路

Item	Part NO.	Description	中文名稱	Specification	Qty	Unit
1.00	NV 00077030213	NIPPLE, STRAIGHT	直接頭	PT1/2"XPT3/4"	2.00	EA
2.00	NV 00030480108	SOLENOID VALVE	氣壓電磁閥	PT3/4"(AD-12-20, AC 110V)	1.00	EA
3.00	NV 00069650172	HOSE, FLEXIBLE HYDRAULIC	耐油橡膠管	R1-Φ3/8"XW9/16"-18UNFX4M	2.00	EA
4.00	NV 00077031544	ELBOW, 90 DEG MALE	90度肘管接頭	NPT3/8(MALE)X9/16-18UNF(MALE)	4.00	EA
5.00	GX 00034120103	CHILLER UNIT	油冷卻機	HBO-V250PTSBM9-609	1.00	ST
6.00	NV 00077031523	ELBOW, 90 DEG MALE	90度肘管接頭	PT3/4"(MALE)X9/16"-18UNF(MALE)	2.00	EA

次序	日期	ECN.
A	2017/9/14	1004449
設計變更紀錄		
A 新繪		



MODEL: TALENT 42/51 B MSY, MS

PART NAME
Thru spindle sub coolant

中心給水

PART NUMBER
NL 000253619A

PAGE
1 OF 1

REV.
A

SCALE
1 / 2

DATE
2017/9/14

A 局部詳圖
比例 1 / 4

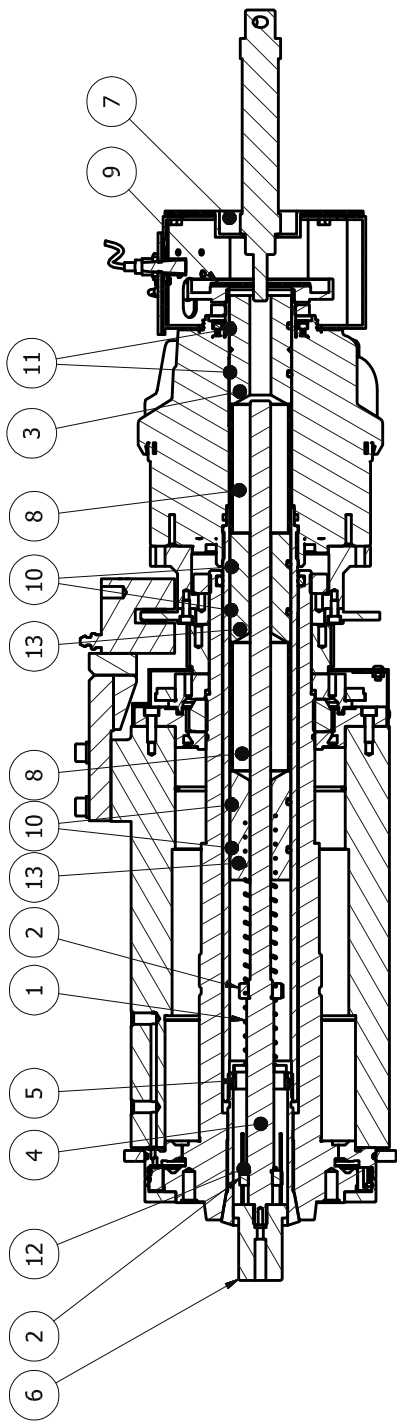
PRODUCT BOM MASTER AND SUB-ITEMS LIST

Master Item Part NO.: NL 000253619A

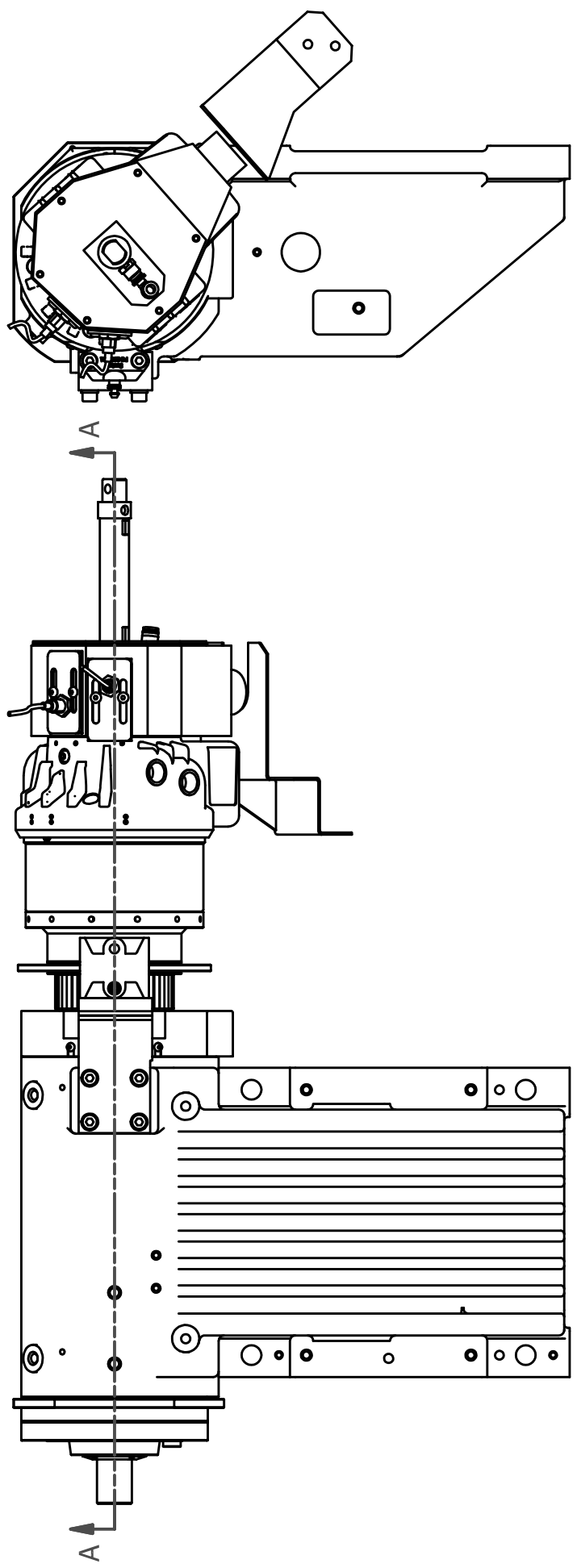
Description: SPINDLE THROUGH COOLANT
中心給水

Item Part NO.	Description	中文名稱	Specification	Qty	Unit
1.02	NL 001066154A BUSHING	中心給水襯套	D45XL30	1.00	EA
2.02	NL 001042001A ADAPTER, ROTATING UNIONS	旋轉接頭座	D74XL45	1.00	EA
3.02	NLA001066152A RIGID PIPE	硬管	D24XL320.9	1.00	EA
4.01	NL 001066153A NOZZLE, COOLANT	噴嘴	H18XL36	1.00	EA
5.01	NV 00090810114 ROTATING UNIONS(CTS)	旋轉接頭(20K以下+50BAR,10K以下+70BAR)	DEUBLIN1109-040-188(RADIAL)CTS	1.00	ST
6.00	NL 000599054A PLATE	集水槽蓋板	W146XL141	1.00	EA
7.00	NL 000599055A COVER	旋轉接頭護蓋	D100XL94.3	1.00	EA
8.00	NV 00094310123 O-RING	O型油環	P39	1.00	EA
9.00	BL 00094310116 O-RING	O型油環	[JIS] P40	1.00	EA
10.00	NV 00094310122 O-RING	O型油環	[JIS] P18	1.00	EA
11.00	MS 0103518 SOCKET HEAD CAP SCREW	六角六圓頭螺絲	M5XP0.8XL20	4.00	EA
12.00	MS 0103616NI SOCKET HEAD CAP SCREW (NICKEL)	六角六圓頭螺絲(鍍鎳)	M6XP1.0XL12	4.00	EA
13.00	NL 000599058A BRACKET	電磁閥支架	L140XW50XH60	1.00	EA
14.01	MS 0103516NI SOCKET HEAD CAP SCREW (NICKEL)	六角六圓頭螺絲(鍍鎳)	M5XP0.8XL12	2.00	EA
15.01	MW 0103510NI FLAT WASHER(NICKEL)	平墊圈(鍍鎳)	M5	2.00	EA
16.01	MW 0183510NI SPRING WASHER (NICKEL)	彈簧墊圈(鍍鎳)	M5(HEAT TREATMENT)	2.00	EA
17.00	MW 0183610NI SPRING WASHER (NICKEL)	彈簧墊圈(鍍鎳)	M6(HEAT TREATMENT)	4.00	EA

次序	設計變更紀錄	日期	ECN.
A	新繪	2017/4/24	---



A-A 剖面



MODEL: TALENT 42/51	
16C INJECTOR STOP, PNEUMATIC	PART NUMBER NL 000291607A
16C 氣壓式頂料器	PAGE 1 OF 1
DATE 2017/4/24	REV. A
SCALE 1 / 4	REV. A

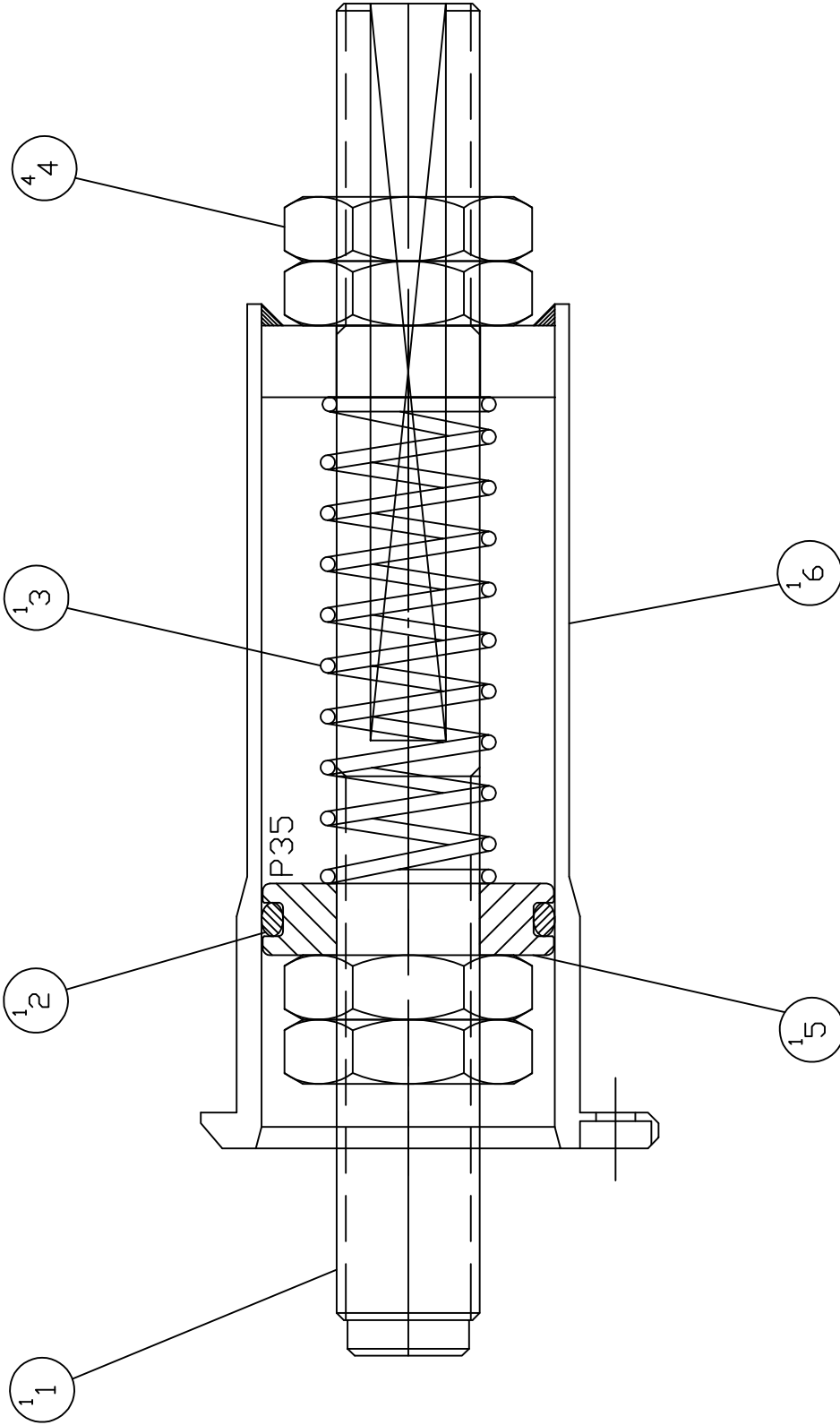
PRODUCT BOM MASTER AND SUB-ITEMS LIST

Master Item Part NO.: NL 000291607A

Description: 16C EJECTOR STOP, PNEUMATIC DR
16C 氣壓式頂料器

Item	Part NO.	Description	中文名稱	Specification	Qty	Unit
1.00	BL 000733502A	COMPRESS SPRING, EJECTOR STOP	頂料器彈簧(氣動式)	D24.1XD20.5XL185	1.00	EA
2.00	MN 0116210	HEXAGON NUT	六角螺帽	M20XP2.5XH9	2.00	EA
3.00	BL 000048104A	BUSHING, SPINDLE LINER	工件襯套(氣動式頂料器用)	D45.7XD15.1XL80	1.00	EA
4.00	NL 000403808A	ROD, EJECTOR STOP	頂料器推桿(氣動式)	D20XL606	1.00	EA
5.00	NL 000403809A	BUSHING, EJECTOR STOP	筒夾襯套	D43XL17.5	1.00	EA
6.00	NL 000403810A	BLOCK, EJECTOR STOP	頂料器防撞塊(氣動式)	D40XD4.5XL56	1.00	EA
7.00	NL 000599059A	COVER	集水槽蓋	TEMP	1.00	EA
8.00	NL 000179902A	SPACER, SPINDLE LINER	間隔圈襯套	D44.7XD40XL95	2.00	EA
9.00	NL 000599060A	COVER	蓋板	TEMP	1.00	EA
10.00	NV 00094310123	O-RING	O型油環	P39	4.00	EA
11.00	BL 00094310116	O-RING	O型油環	[JIS] P40	2.00	EA
12.00	NV 00094310109	O-RING	O型油環	[JIS] P20	1.00	EA
13.00	BL 000048103A	BUSHING, SPINDLE LINER	工件襯套(氣動式頂料器用)	D44.7XD15.1XL80	2.00	EA

REV	DESCRIPTION	DATE	ECN
A	新仕様	2007/2/6	401
B	鋼材変更(4141350K)に準拠	2007/9/7	794



MODEL: GS 200 MSY

PART NAME

EJECTOR STOP(SPINDLE 2)

工具米斗器具 第二主車由

PART NUMBER

BL 000291601K

PAGE 1 OF 1

REV. B

SCALE 1:1

DATE 2007/2/6

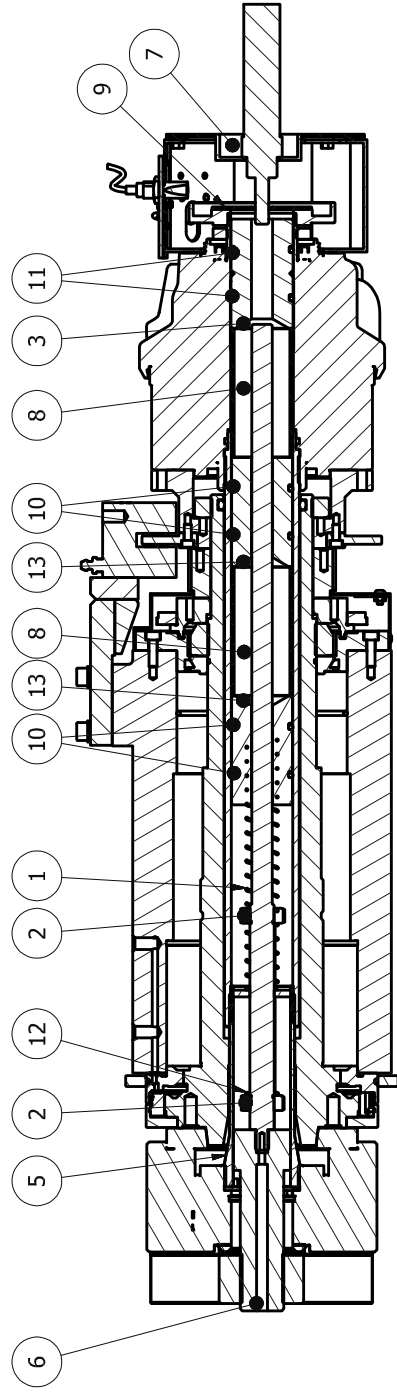
PRODUCT BOM MASTER AND SUB-ITEMS LIST

Master Item Part NO.: BL 000291601K

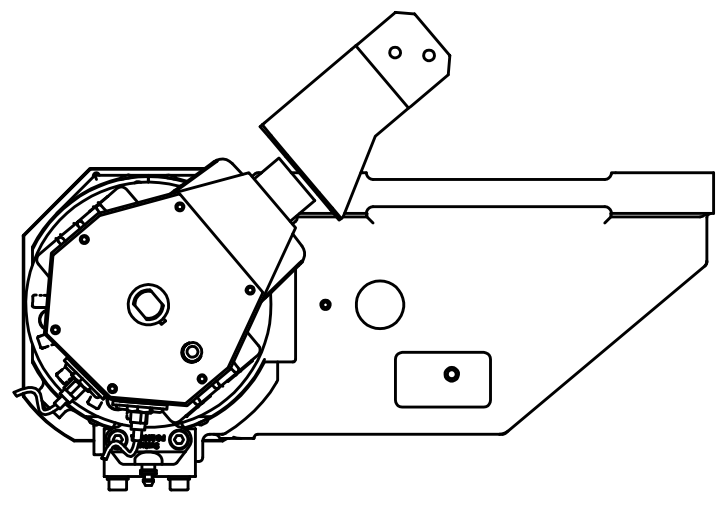
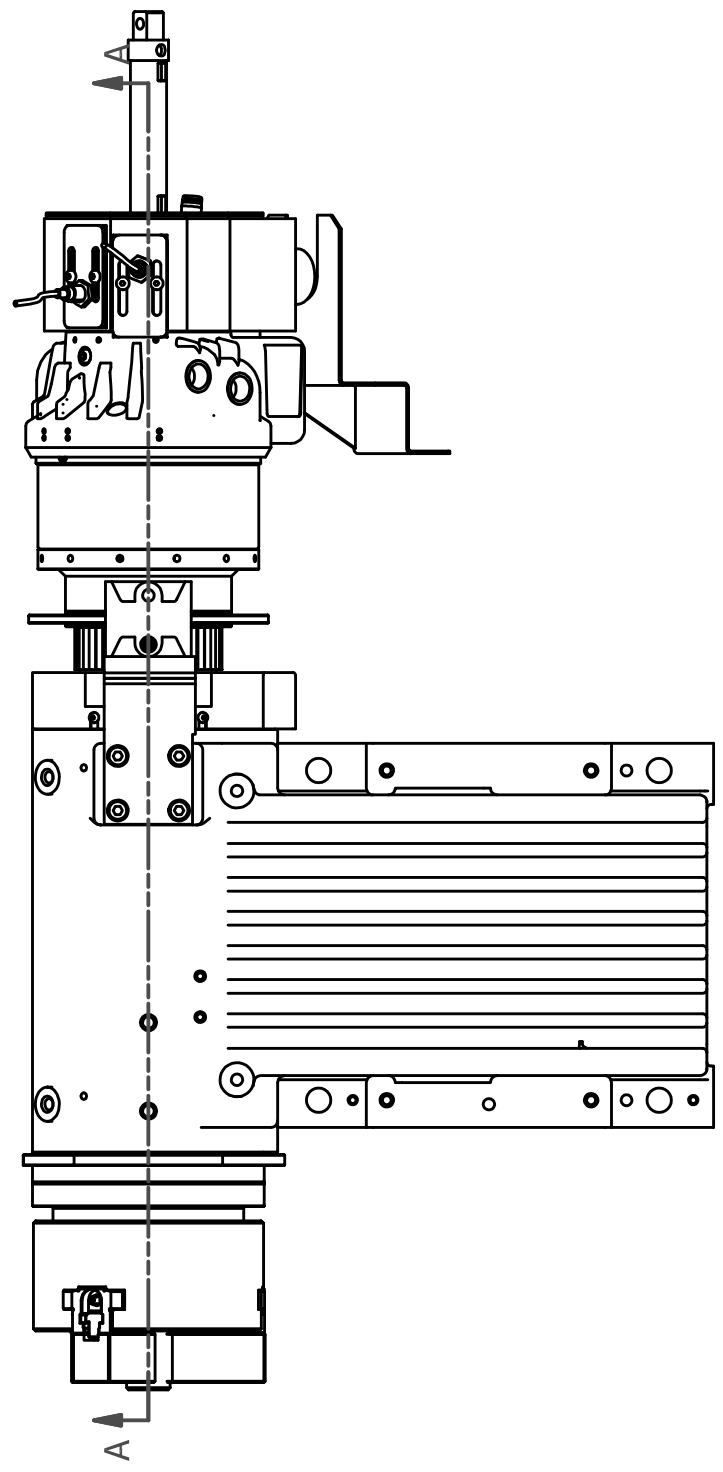
Description: SPRING EJECTOR STOP (SUB-SPIND
頂料器 (彈簧式, 第二主軸+三爪夾頭用))

Item	Part NO.	Description	中文名稱	Specification	Qty	Unit
1.00	BL 000026211K	ROD, EJECTOR STOP	頂料器推桿	D20XL189	1.00	EA
2.00	NV 00094310104	O-RING	O型油環	[JIS] P35	1.00	EA
3.01	BLA000733504K	COMPRESS SPRING, EJECTOR STOP	頂料器彈簧	L93XD22.5XD1.6	1.00	EA
4.01	MN 0116210	HEXAGON NUT	六角螺帽	M20XP2.5XH9	4.00	EA
5.00	BL 000599073K	WASHER, EJECTOR STOP	頂料器墊圈	D40.7XW10XD20	1.00	EA
6.02	BL 000048102K	BUSHING, EJECTOR STOP	頂料器襯套	L118XD70XD41	1.00	EA

次序	設計變更紀錄	日期	ECN.
A	新繪	2017/4/24	--



A-A 剖面



MODEL: TALENT 42/51	
PART NAME EJECTOR STOP, PNEUMATIC DRIVE 頂料器(氣壓式, 第二主軸+三爪夾頭)	
PART NUMBER NL 000291608A	
DATE 2017/4/24	PAGE 1 OF 1
SCALE 1 / 4	REV. A

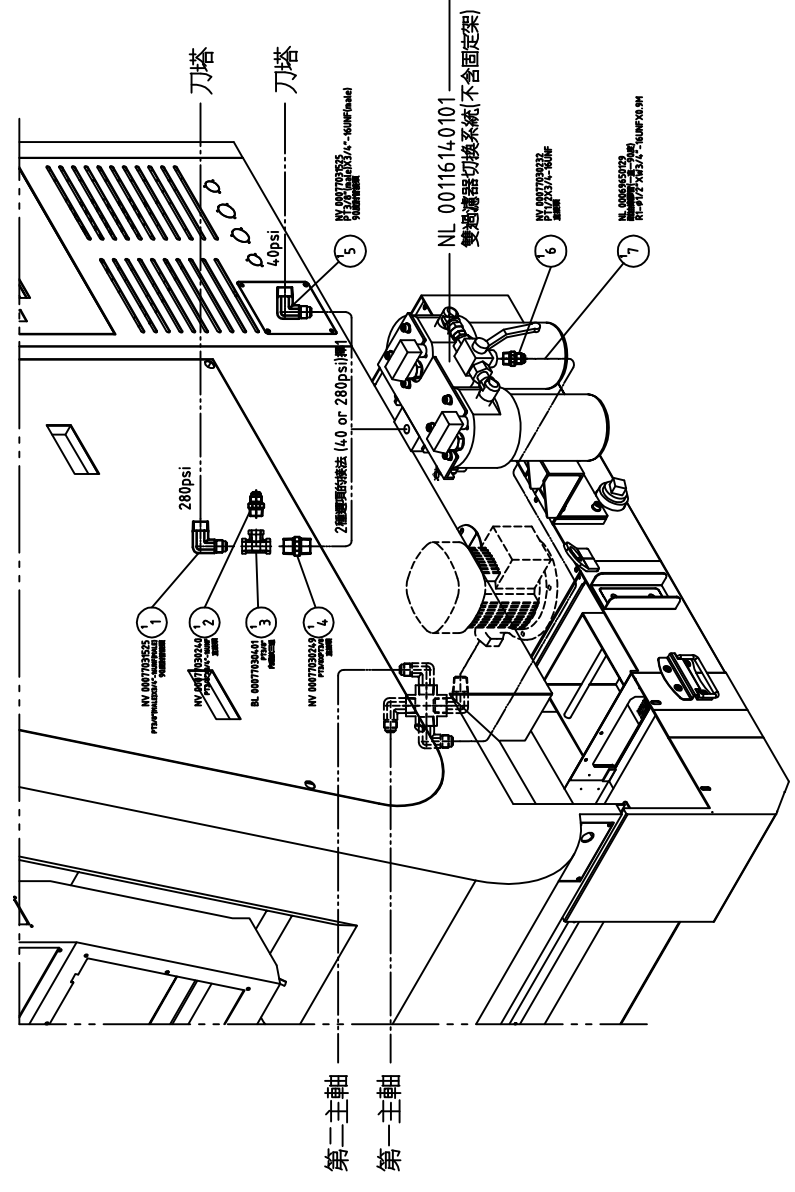
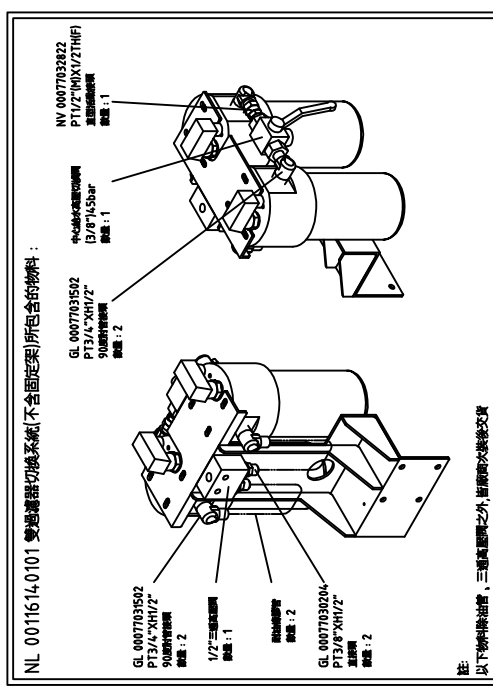
PRODUCT BOM MASTER AND SUB-ITEMS LIST

Master Item Part NO.: NL 000291608A

Description: EJECTOR STOP, PNEUMATIC DRIVE
頂料器 (氣壓式, 第二主軸+三爪夾頭用)

Item	Part NO.	Description	中文名稱	Specification	Qty	Unit
1.00	BL 000733502A	COMPRESS SPRING, EJECTOR STOP	頂料器彈簧(氣動式)	D24.1XD20.5XL185	1.00	EA
2.00	MN 0114711	HEXAGON NUT	六角螺帽	M18XP1.5X11MM	2.00	EA
3.00	BL 000048104A	BUSHING, SPINDLE LINER	工件襯套(氣動式頂料器用)	D45.7XD15.1XL80	1.00	EA
4.00	NL 000403808A	ROD, EJECTOR STOP	頂料器推桿(氣動式)	D20XL606	1.00	EA
5.00	NL 000048012A	DRAW TUBE ADAPTER	拉桿接頭(氣壓式頂出用)	D55XD42XL147.5	1.00	EA
6.00	NL 000403811A	BLOCK, EJECTOR STOP	頂料器防撞塊(氣動式)	D40XD4.5XL133	1.00	EA
7.00	NL 000599059A	COVER	集水槽蓋	TEMP	1.00	EA
8.00	NL 000179902A	SPACER, SPINDLE LINER	間隔圈襯套	D44.7XD40XL95	2.00	EA
9.00	NL 000599060A	COVER	蓋板	TEMP	1.00	EA
10.00	NV 00094310123	O-RING	O型油環	P39	4.00	EA
11.00	BL 00094310116	O-RING	O型油環	[JIS] P40	2.00	EA
12.00	NV 00094310109	O-RING	O型油環	[JIS] P20	1.00	EA
13.00	BL 000048103A	BUSHING, SPINDLE LINER	工件襯套(氣動式頂料器用)	D44.7XD15.1XL80	2.00	EA

REV	DESCRIPTION	DATE	ECN
A	零件清單	2018/05/17	0004554



MODEL: TALENT 42/51 (A/B)	PART NUMBER NL 000253621A
PART NAME DOUBLE FILTER SYSTEM, COOLANT 切削液雙過濾器切換系統	PAGE 1 OF 1
DATE 2018/05/12	SCALE 1:15
REV. A	REV. A

註:
1. 該選項的KIT料號為:NL 000599078AK

PRODUCT BOM MASTER AND SUB-ITEMS LIST

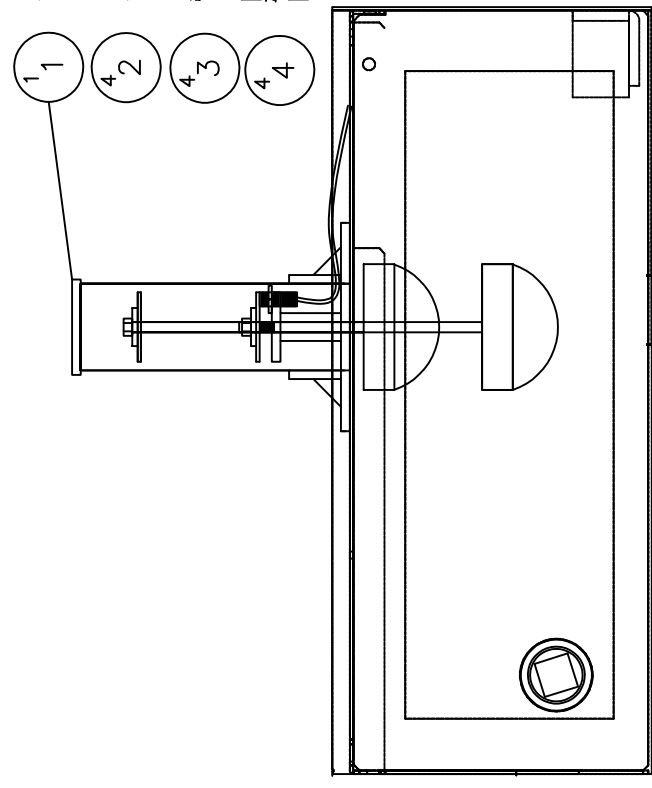
Master Item Part NO.: NL 000253621A

Description: DOUBLE FILTER SYSTEM, COOLANT
切削水雙過濾切換系統

Item Part NO.	Description	中文名稱	Specification	Qty	Unit
1.00	NV 00077031525 ELBOW, 90 DEG MALE	90度肘管接頭	PT3/8"(MALE)X3/4"-16UNF(MALE)	1.00	EA
2.00	NV 00077030240 NIPPLE, STRAIGHT	直接頭	PT3/8"X3/4"-16UNF	1.00	EA
3.00	BL 00077030401 TEE UNION	內螺紋三通	PT3/8"	1.00	EA
4.00	NV 00077030249 NIPPLE, STRAIGHT	直接頭	PT3/8XPT3/8	1.00	EA
5.00	NV 00077031525 ELBOW, 90 DEG MALE	90度肘管接頭	PT3/8"(MALE)X3/4"-16UNF(MALE)	1.00	EA
6.00	NV 00077030232 NIPPLE, STRAIGHT	直接頭	PT1/2X3/4-16UNF	1.00	EA
7.00	NL 00069650129 HOSE, FLEXIBLE HYDRAULIC	耐油橡膠管(一直一90度)	R1-Φ1/2"XW3/4"-16UNFX0.9M	1.00	EA

REV	DESCRIPTION	DATE	ECN
A	新仕様	2018/8/31	1004612

- GX_00115370112
浮筒水位計-150L(低水位近接開關)
- PU-TUBE-150MM
- MS_0103617NI
六角圓頭螺絲(鍍銀)
- M6XP1.0XL16
- MW_0183610NI
彈簧墊圈
- M6(HEAT TREATMENT)
- MW_0123610NI
平墊圈(鍍銀)
- M6XD10X1T



COOLANT TANK

MODEL: TALENT 42/51	
PART NAME	PART NUMBER
COOLANT FLOW SENSOR, COOLANT	NL_000253622A
冷却剤水流速計	
DATE 2018/8/31	SCALE 1:7
	REV. A
	PAGE 1 OF 1

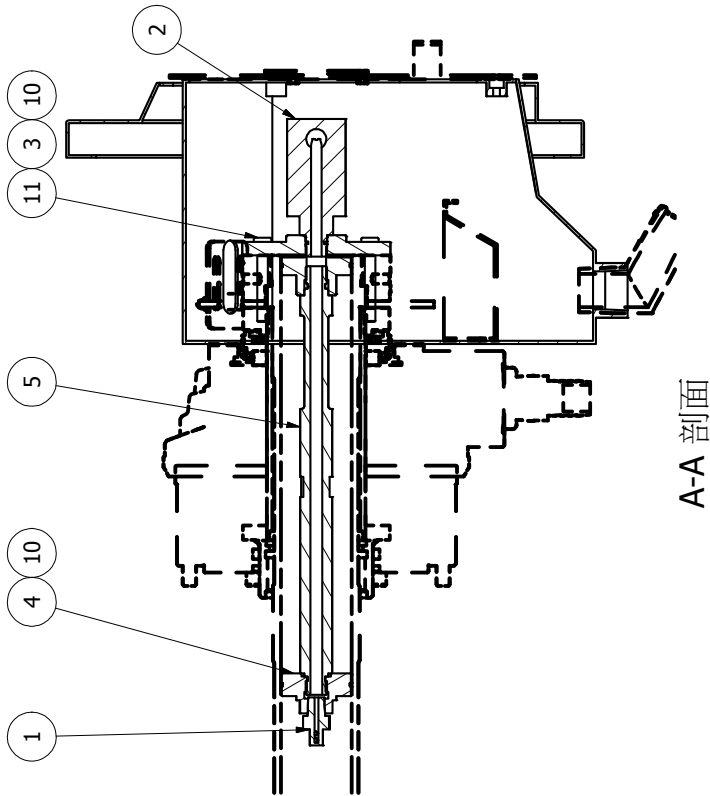
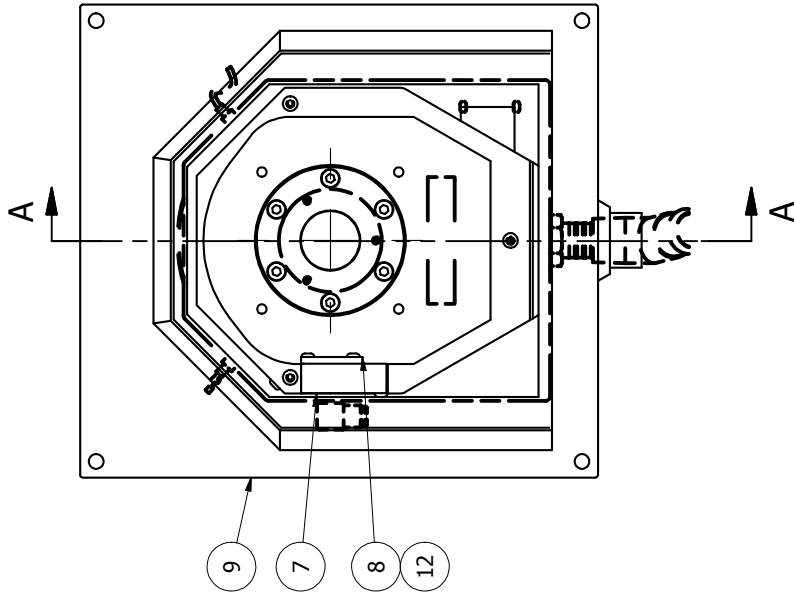
PRODUCT BOM MASTER AND SUB-ITEMS LIST

Master Item Part NO.: NL 000253622A

Description: COOLANT FLOW SENSOR, COOLANT
切削水水位計

Item Part NO.	Description	中文名稱	Specification	Qty	Unit
1.00	GX 00115370112 BUOYANCY ,GAUGE	浮筒水位計-150L(低水位近接開關)	PU-TUBE-150MM	1.00	ST
2.01	MS 0103617NI SOCKET HEAD CAP SCREW (NICKEL)	六角六圓頭螺絲(鍍鎳)	M6XP1.0XL16	1.00	EA
3.01	MW 0183610NI SPRING WASHER (NICKEL)	彈簧墊圈(鍍鎳)	M6(HEAT TREATMENT)	1.00	EA
4.01	MW 0123610NI FLAT WASHER(NICKEL)	平墊圈(鍍鎳)	M6(D6XD19XT2)	1.00	EA

次序	設計變更紀錄	日期	ECN.
A	新增	2018/9/10	1004622



MODEL: TALENT 51	PART NUMBER	NL 000253623A
PART NAME	THRU SPINDLE COOLANT	PAGE 1 OF 1
第一主軸中心給水	DATE	2018/9/7
	SCALE	1 : 1
	REV.	A

PRODUCT BOM MASTER AND SUB-ITEMS LIST

Master Item Part NO.: NL 000253623A

Description: THRU MAIN SPINDLE COOLANT
第一主軸中心給水

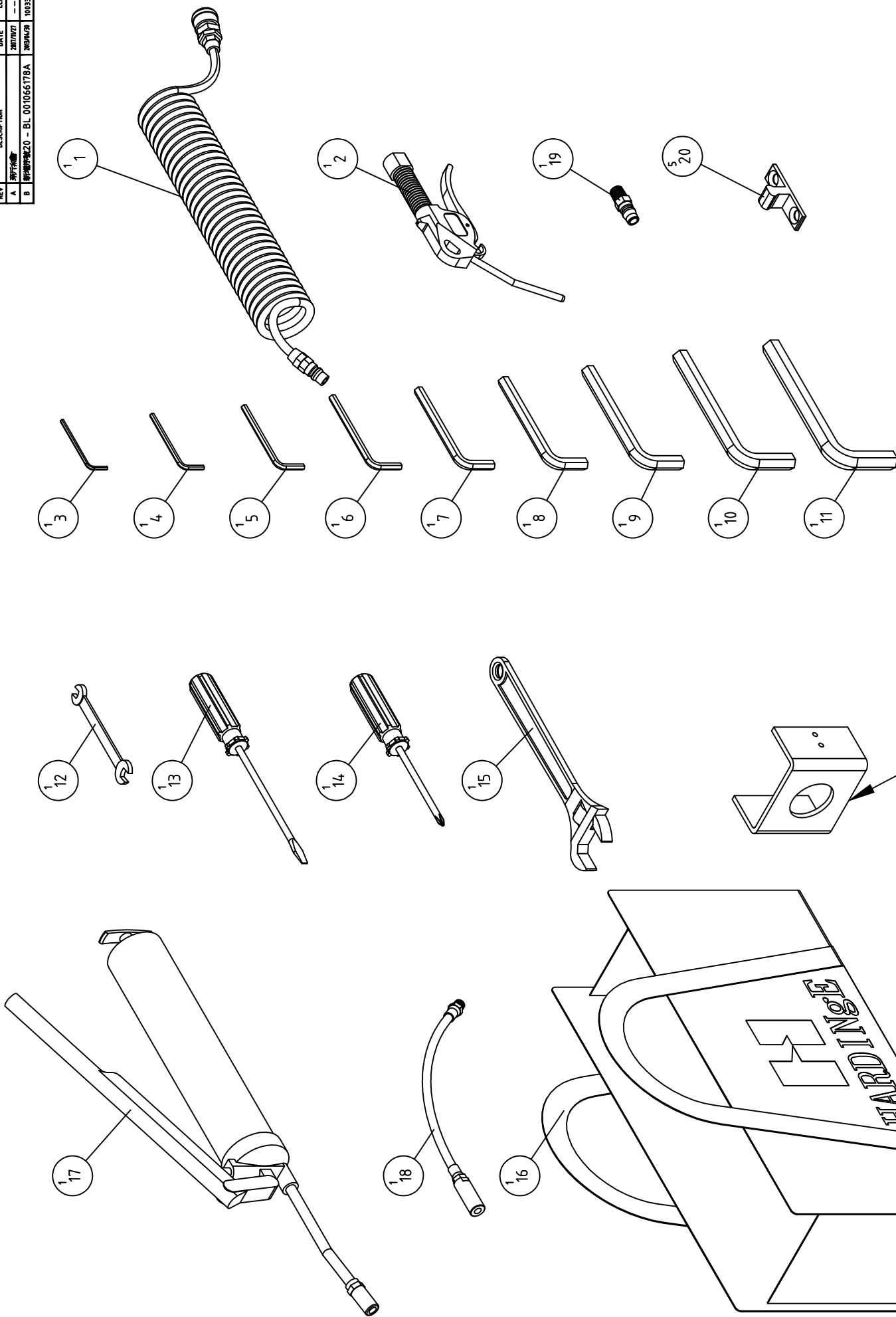
Item Part NO.	Description	中文名稱	Specification	Qty	Unit
1.00	NL 001066153A NOZZLE, COOLANT	噴嘴	H18XL36	1.00	EA
2.00	NL 00090810100 ROTATING UNIONS	旋轉接頭	DEUBLIN1116-029-143	1.00	ST
3.00	NL 001042004B ADAPTER, ROTATING UNIONS	旋轉接頭座	D111XL45	1.00	EA
4.00	NL 001066158B BUSHING	中心給水襯套	D53XL30	1.00	EA
5.00	NLA001066152A RIGID PIPE	硬管	D24XL320.9	1.00	EA
6.00	NL 000699085B COOLANT COLLECTORS-THRU SPINDL	集水槽-中心給水	L334XW229XH198	1.00	EA
7.00	NL 000699086A FIX PLATE	止迴板	L86*W61*H22	1.00	EA
8.00	NL 000805010A CRASHPOOF PLATE,THRU SPINDLE	防撞板	L60XW46XH5	1.00	EA
9.00	NL 000699084A MAINTENANCE DOOR, THRU SPINDLE	左側維修門-中心給水	L388XW354XH58	1.00	EA
10.00	BL 00094310118 O-RING	O型油環	S50	2.00	EA
11.00	MS 0103825 SOCKET HEAD CAP SCREW	六角六圓頭螺絲	M8XP1.25XL55	6.00	EA
12.00	MS 0303514SS BUTTON HD. SOCKET(SUS)	六角六半圓頭螺絲(白鐵)	M5XP0.8XL8	8.00	EA

Chapter 14

工具袋

TOOL KIT

REV.	DESCRIPTION	DATE	ENR.
A	新零件	2007/07	--
B	新零件20 - BL 001066178A	2008/09	1003955



MODEL: GS SERIES	
PART NAME TOOL KIT	
PART NUMBER BL 000005001A	
DATE 2007/11/27	SCALE 1:5
REV. B	PAGE 1 OF 1

BL 001194400K FOR GS 200/250MSY
MS 0103622(M04L40*4EA)

PRODUCT BOM MASTER AND SUB-ITEMS LIST

Master Item Part NO.: BL 000005001A

Description: TOOL KIT

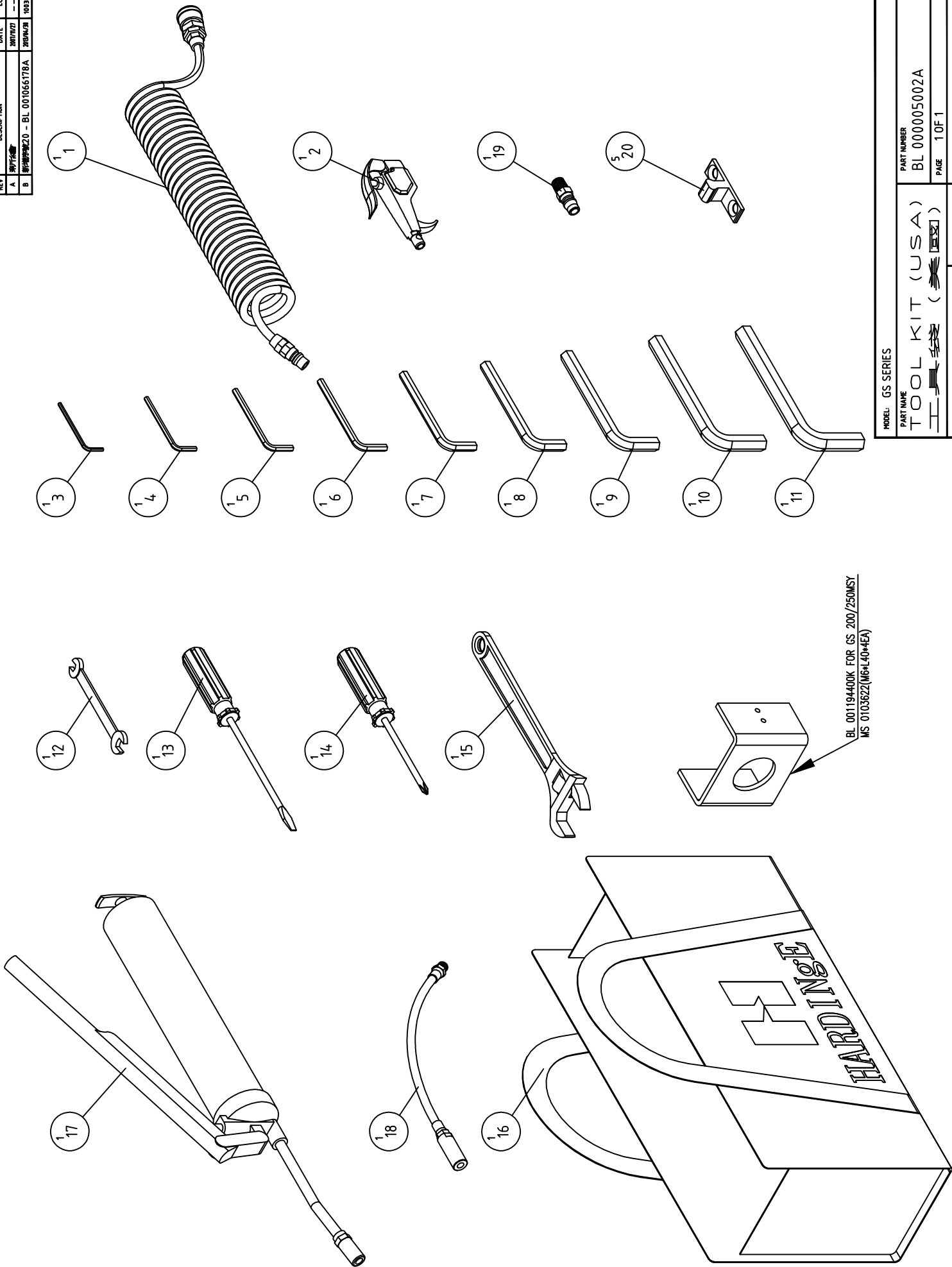
工具袋

Item Part NO.	Description	中文名稱	Specification	Qty	Unit
1.00 NV 00070070302	TUBE, PU COIL WICH ADAPTER	風壓用伸縮管附接頭	[CHI-YING]0850-6M	1.00	EA
2.00 NV 01070350101	AIR FLOW GUN	空氣噴槍	KS 100MM	1.00	EA
3.00 NV 00000470101	HEX. WRENCH	六角扳手 3MM	六角扳手 3MM	1.00	EA
4.00 NV 00000470102	HEX. WRENCH	六角扳手 4MM	六角扳手 4MM	1.00	EA
5.00 NV 00000470103	HEX. WRENCH	六角扳手 5MM	六角扳手 5MM	1.00	EA
6.00 NV 00000470104	HEX. WRENCH	六角扳手 6MM	六角扳手 6MM	1.00	EA
7.00 NV 00000470105	HEX. WRENCH	六角扳手 8MM	六角扳手 8MM	1.00	EA
8.00 NV 00000470106	HEX. WRENCH	六角扳手 10MM	六角扳手 10MM	1.00	EA
9.00 NV 00000470107	HEX. WRENCH	六角扳手 12MM	六角扳手 12MM	1.00	EA
10.00 NV 00000470108	HEX. WRENCH	六角扳手	14MM	1.00	EA
11.00 NV 00000470109	HEX. WRENCH	六角扳手	16MM	1.00	EA
12.00 NV 00000470201	OPEN WRENCH	開口扳手(兩端)	8X10	1.00	EA
13.00 NV 00000470401	SCREW DRIVER	塑膠柄起子	- 0.2X4"	1.00	EA
14.00 NV 00000470501	SCREW DRIVER	塑膠柄起子	+ 6"X8MM	1.00	EA
15.00 NV 00000470601	LIFE WRENCH	活動扳手	10"	1.00	EA
16.00 NV 00000470801	TOOL BAG	工具袋	TOOL	1.00	EA
17.00 NV 00000470902	GREASE GUN	黃油槍	[PRESSOL] 12732 1/8PT 400CC	1.00	EA
18.00 BL 00069660002	GEREASE PIPE	潤滑油軟管(牛油槍用)	12"	1.00	EA
19.00 NV 00077031402	PRESTO ADAPTER, STRAIGHT MALE	外牙直快速接頭(公)	PT1/4"(PM20)	1.00	EA

PRODUCT BOM MASTER AND SUB-ITEMS LIST

Item	Part NO.	Description	中文名稱	Specification	Qty	Unit
20.00	BL 001066178A	LATCH, COPPER, TWIN BALL	球型門扣(公扣)	TK-60(公扣)(TK-60)	5.00	EA

REV.	DESCRIPTION	DATE	ECN.
A	REVISED	09/10/21	---
B	REWORKED - BL 001066178A	09/10/21	1003355



MODEL: GS SERIES	SCALE: 1:5	REV: B
PART NAME TOOL KIT (USA)	DATE: 2007/11/21	
PART NUMBER BL 000005002A		
		PAGE: 1 OF 1

PRODUCT BOM MASTER AND SUB-ITEMS LIST

Master Item Part NO.: BL 000005002A

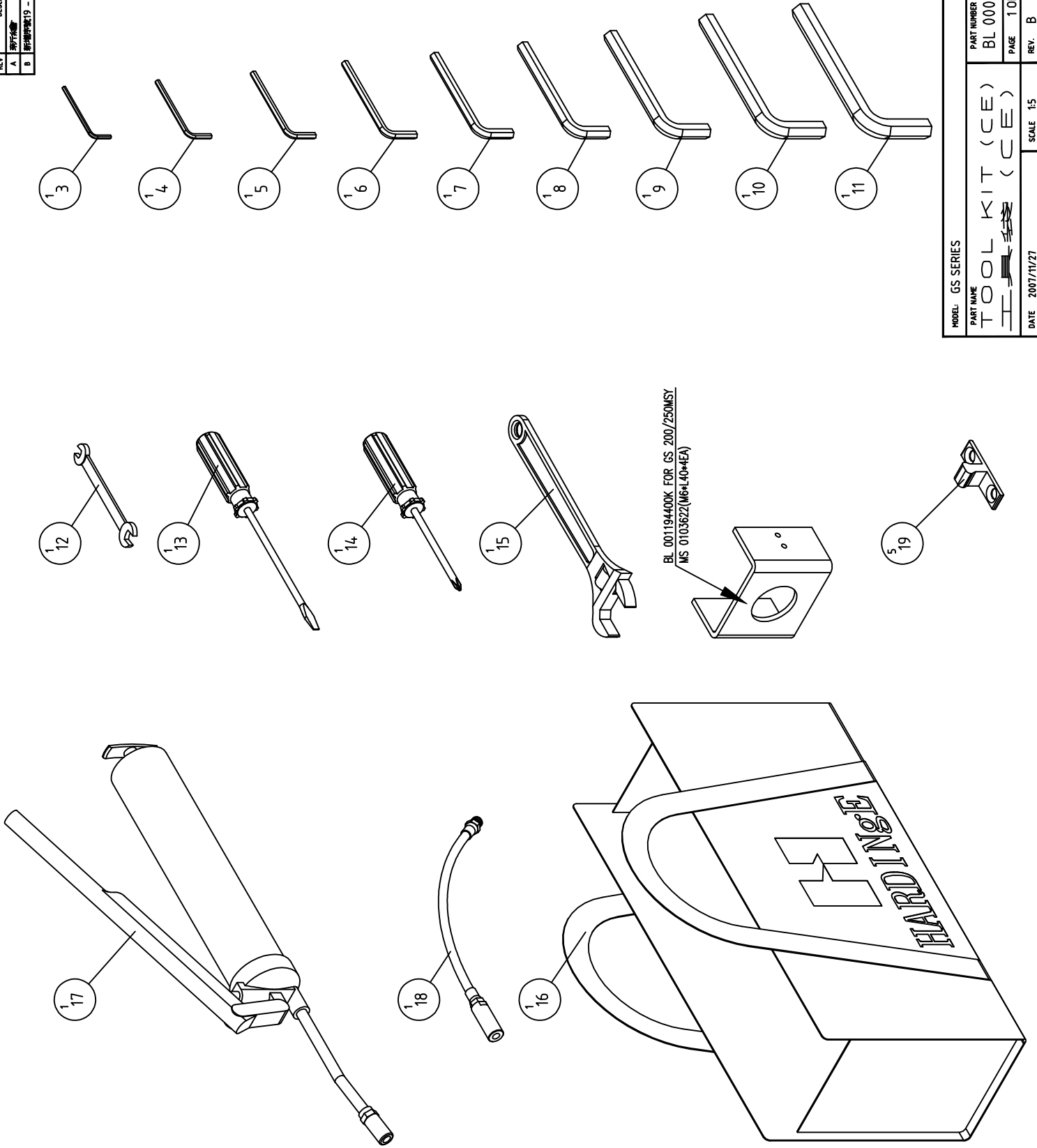
Description: TOOL KIT(USA)
工具袋(美國)

Item Part NO.	Description	中文名稱	Specification	Qty	Unit
1.00	NV 00070070302 TUBE, PU COIL WICH ADAPTER	風壓用伸縮管附接頭	[CHI-YING]0850-6M	1.00	EA
2.00	NV 01070350102 AIR NOZZLE	空氣噴槍	30PSI MAX, OSHA REQUIREMENT,MM	1.00	EA
3.00	NV 00000470101 HEX. WRENCH	六角扳手 3MM	六角扳手 3MM	1.00	EA
4.00	NV 00000470102 HEX. WRENCH	六角扳手 4MM	六角扳手 4MM	1.00	EA
5.00	NV 00000470103 HEX. WRENCH	六角扳手 5MM	六角扳手 5MM	1.00	EA
6.00	NV 00000470104 HEX. WRENCH	六角扳手 6MM	六角扳手 6MM	1.00	EA
7.00	NV 00000470105 HEX. WRENCH	六角扳手 8MM	六角扳手 8MM	1.00	EA
8.00	NV 00000470106 HEX. WRENCH	六角扳手 10MM	六角扳手 10MM	1.00	EA
9.00	NV 00000470107 HEX. WRENCH	六角扳手 12MM	六角扳手 12MM	1.00	EA
10.00	NV 00000470108 HEX. WRENCH	六角扳手	14MM	1.00	EA
11.00	NV 00000470109 HEX. WRENCH	六角扳手	16MM	1.00	EA
12.00	NV 00000470201 OPEN WRENCH	開口扳手(兩端)	8X10	1.00	EA
13.00	NV 00000470401 SCREW DRIVER	塑膠柄起子	- 0.2X4"	1.00	EA
14.00	NV 00000470501 SCREW DRIVER	塑膠柄起子	+ 6"X8MM	1.00	EA
15.00	NV 00000470601 LIFE WRENCH	活動扳手	10"	1.00	EA
16.00	NV 00000470801 TOOL BAG	工具袋	TOOL	1.00	EA
17.00	NV 00000470902 GREASE GUN	黃油槍	[PRESSOL] 12732 1/8PT 400CC	1.00	EA
18.00	BL 00069660002 GEREASE PIPE	潤滑油軟管(牛油槍用)	12"	1.00	EA
19.00	NV 00077031402 PRESTO ADAPTER, STRAIGHT MALE	外牙直快速接頭(公)	PT1/4"(PM20)	1.00	EA

PRODUCT BOM MASTER AND SUB-ITEMS LIST

Item	Part NO.	Description	中文名稱	Specification	Qty	Unit
20.00	BL 001066178A	LATCH, COPPER, TWIN BALL	球型門扣(公扣)	TK-60(公扣)(TK-60)	5.00	EA

REV.	DESCRIPTION	DATE	EEN.
A	SPYGLAS	20/11/21	---
B	SPYGLAS19 - BL 001066178A	20/11/21	003395



MODEL: GS SERIES

PART NAME	TOOL KIT (CE)
PART NUMBER	BL 000005003A
PAGE	1 OF 1
REV.	B
SCALE	1:5
DATE	2007/11/21

PRODUCT BOM MASTER AND SUB-ITEMS LIST

Master Item Part NO.: BL 000005003A

Description: TOOL KIT(CE)
工具袋(CE)

Item Part NO.	Description	中文名稱	Specification	Qty	Unit
3.00 NV 00000470101	HEX. WRENCH	六角扳手 3MM	六角扳手 3MM	1.00	EA
4.00 NV 00000470102	HEX. WRENCH	六角扳手 4MM	六角扳手 4MM	1.00	EA
5.00 NV 00000470103	HEX. WRENCH	六角扳手 5MM	六角扳手 5MM	1.00	EA
6.00 NV 00000470104	HEX. WRENCH	六角扳手 6MM	六角扳手 6MM	1.00	EA
7.00 NV 00000470105	HEX. WRENCH	六角扳手 8MM	六角扳手 8MM	1.00	EA
8.00 NV 00000470106	HEX. WRENCH	六角扳手 10MM	六角扳手 10MM	1.00	EA
9.00 NV 00000470107	HEX. WRENCH	六角扳手 12MM	六角扳手 12MM	1.00	EA
10.00 NV 00000470108	HEX. WRENCH	六角扳手	14MM	1.00	EA
11.00 NV 00000470109	HEX. WRENCH	六角扳手	16MM	1.00	EA
12.00 NV 00000470201	OPEN WRENCH	開口扳手(兩端)	8X10	1.00	EA
13.00 NV 00000470401	SCREW DRIVER	塑膠柄起子	— 0.2X4"	1.00	EA
14.00 NV 00000470501	SCREW DRIVER	塑膠柄起子	+ 6"X8MM	1.00	EA
15.00 NV 00000470601	LIFE WRENCH	活動扳手	10"	1.00	EA
16.00 NV 00000470801	TOOL BAG	工具袋	TOOL	1.00	EA
17.00 NV 00000470902	GREASE GUN	黃油槍	[PRESSOL] 12732 1/8PT 400CC	1.00	EA
18.00 BL 00069660002	GEREASE PIPE	潤滑油軟管(牛油槍用)	12"	1.00	EA
19.00 BL 001066178A	LATCH, COPPER, TWIN BALL	球型門扣(公扣)	TK-60(公扣)(TK-60)	5.00	EA



Hardinge Machine Tools B.V., Taiwan Branch

Address : 4 Tzu Chiang 3rd Rd., Nan Tou City, 540 Taiwan

Tel : 886-49-2260-536

Fax : 886-49-2252-203 886-49-2254-167

[Http://www.hardinge.com](http://www.hardinge.com)